

US00D541685S

(12) **United States Design Patent**
Bradford

(10) **Patent No.:** **US D541,685 S**

(45) **Date of Patent:** **** May 1, 2007**

(54) **AUTOMOTIVE ACCESSORY INSTRUMENT CASE**

(76) Inventor: **Richard N. Bradford**, 578 North St.,
Longwood, FL (US) 32750

(**) Term: **14 Years**

(21) Appl. No.: **29/251,262**

(22) Filed: **Jan. 5, 2006**

(51) **LOC (8) Cl.** **10-04**

(52) **U.S. Cl.** **D10/78**

(58) **Field of Classification Search** D3/273,
D3/294, 302, 295, 905; D10/46, 78; D13/184;
D14/341, 345, 356-358; 324/76.12; 340/439;
701/24, 29, 35; 702/57

See application file for complete search history.

(56) **References Cited**

U.S. PATENT DOCUMENTS

D374,183	S	*	10/1996	Skinner et al.	D10/78
D424,456	S	*	5/2000	Hoofnagle et al.	D10/78
D453,332	S	*	2/2002	Herath	D14/341
D469,367	S	*	1/2003	Mirabelli et al.	D10/65
D473,809	S	*	4/2003	Disch	D10/78
D479,805	S	*	9/2003	Tsai	D10/46
D481,387	S	*	10/2003	Poon	D14/356
6,687,584	B2	*	2/2004	Andreasen et al.	701/29
6,693,367	B1	*	2/2004	Schmeisser et al.	307/9.1
D490,731	S	*	6/2004	Bradford	D10/78
D510,044	S	*	9/2005	Ribeiro et al.	D10/78
D510,045	S	*	9/2005	Lipscomb et al.	D10/78
D519,046	S	*	4/2006	Lipscomb et al.	D10/78
D520,388	S	*	5/2006	Sydrowski et al.	D10/81

D527,523	S	*	9/2006	Cornwell et al.	D3/294
D528,933	S	*	9/2006	Hunter et al.	D10/78
2004/0054503	A1	*	3/2004	Namaky	702/183
2004/0102879	A1	*	5/2004	Raichle et al.	701/29
2005/0237169	A1	*	10/2005	Niemann	340/438
2006/0217855	A1	*	9/2006	Chinnadurai et al.	701/29
2006/0241829	A1	*	10/2006	Schmeisser et al.	701/29
2006/0241830	A1	*	10/2006	Schmeisser et al.	701/29

OTHER PUBLICATIONS

Flashpaq. Downloaded Oct. 25, 2006 at <http://www.flash-paq.com/>.*

* cited by examiner

Primary Examiner—Philip S. Hyder
Assistant Examiner—RoseLynn (Ulm) Cady
(74) *Attorney, Agent, or Firm*—James H. Beusse; Beusse
Wolter Sanks Mora & Maire, P.A.

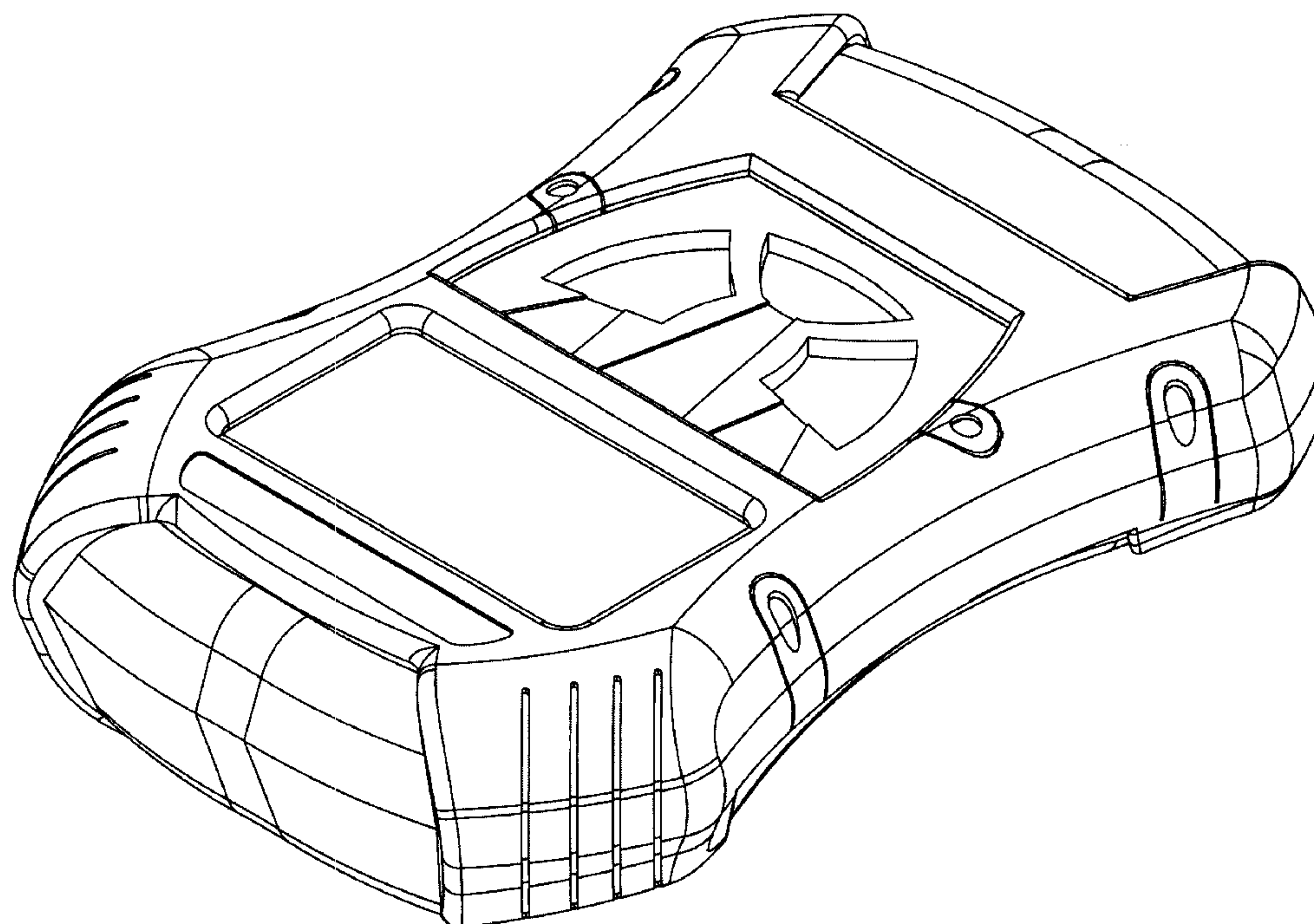
(57) **CLAIM**

The ornamental design for an automotive accessory instrument case, as shown and described.

DESCRIPTION

FIG. 1 is a top, left front side perspective view of my new automotive accessory instrument case;
FIG. 2 is a bottom, rear perspective;
FIG. 3 is a right side elevation;
FIG. 4 is a rear elevation;
FIG. 5 is a front elevation;
FIG. 6 is a top plan view; and,
FIG. 7 is a bottom plan view.

1 Claim, 3 Drawing Sheets



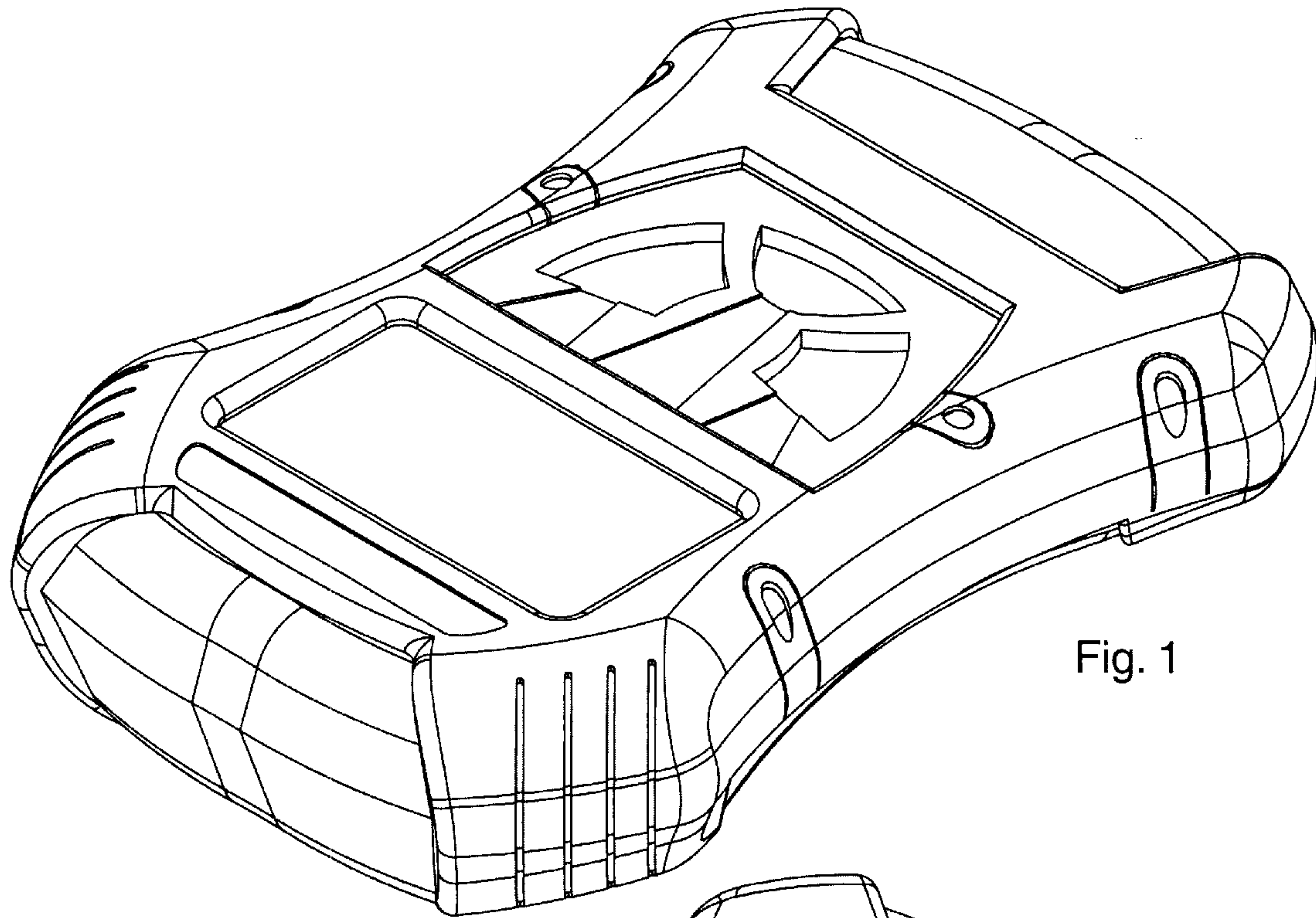


Fig. 1

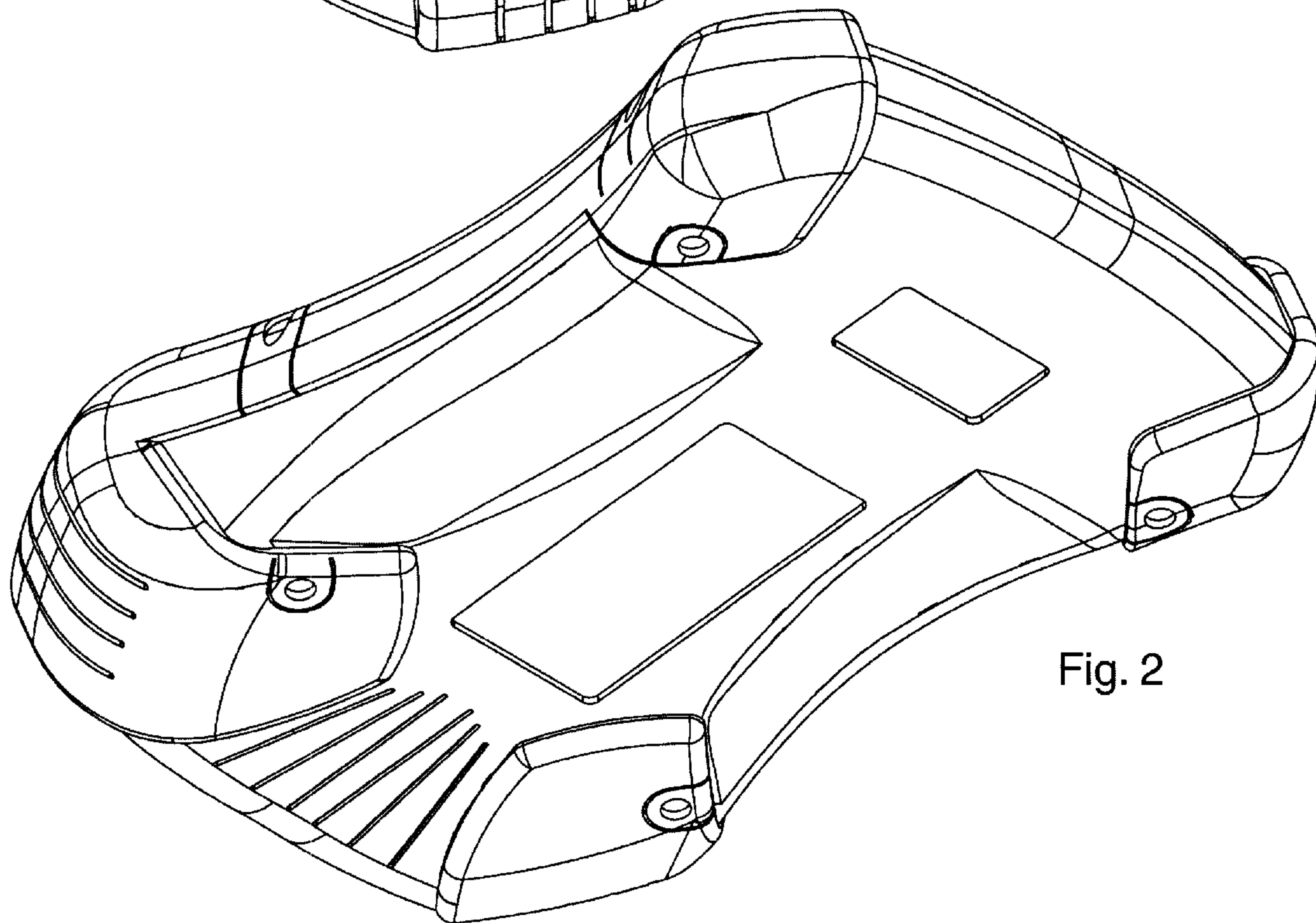


Fig. 2

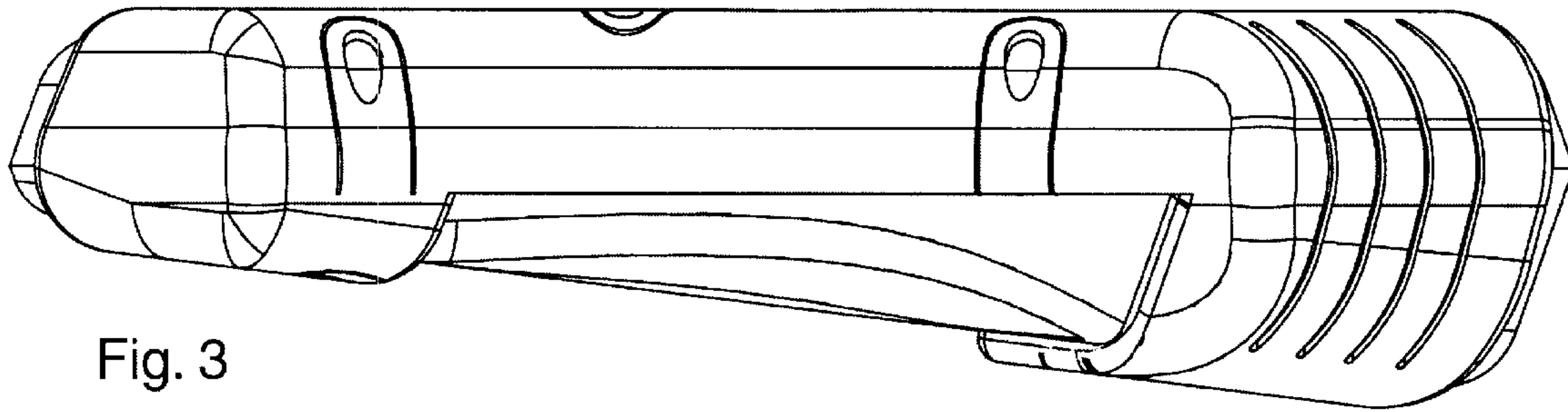


Fig. 3

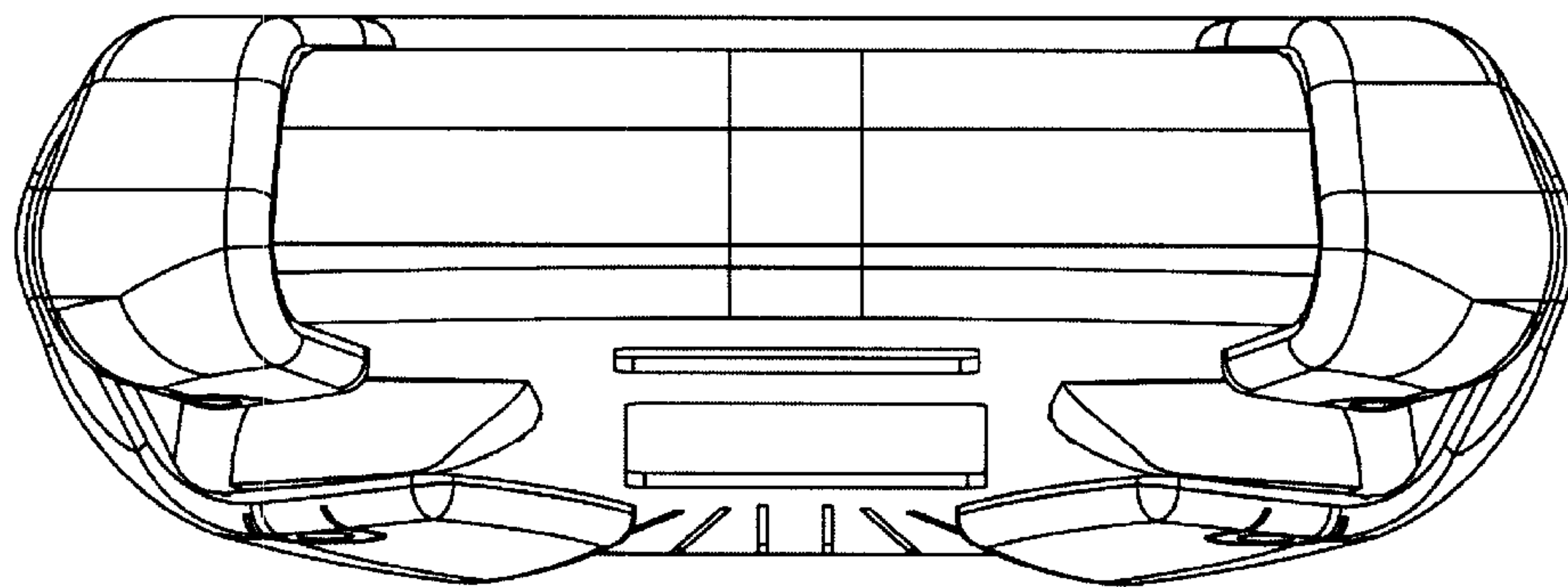


Fig. 4

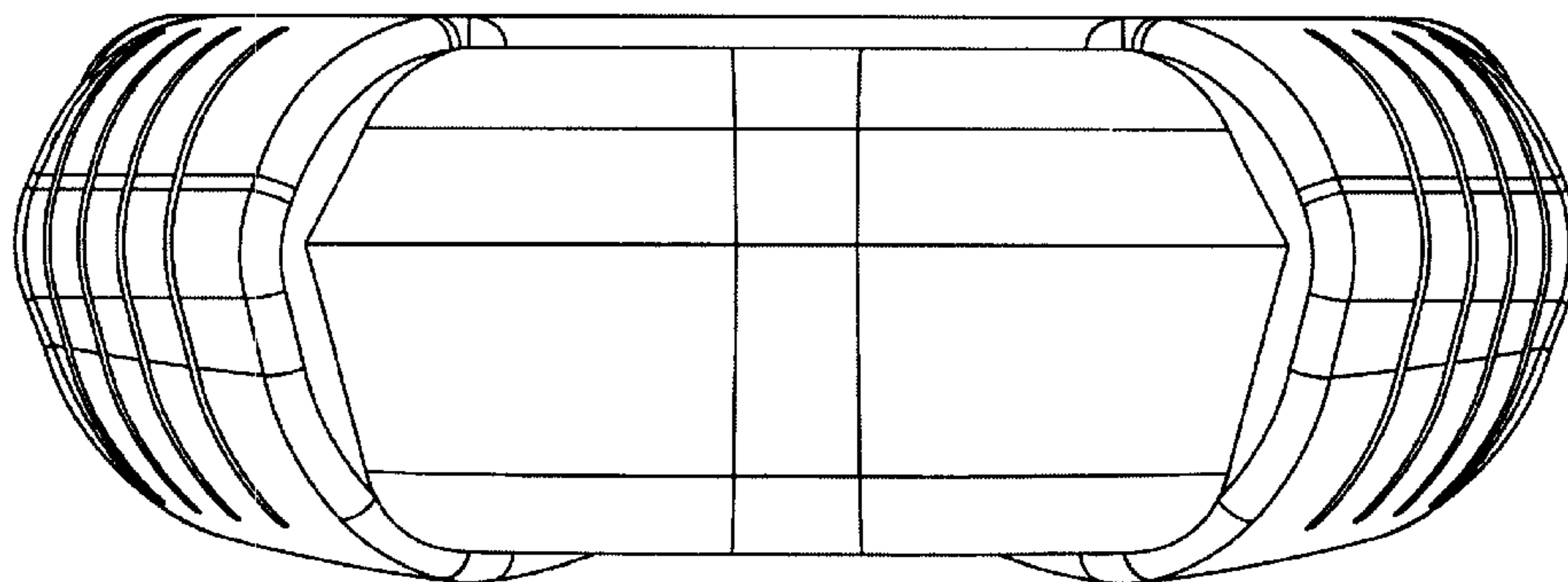


Fig. 5

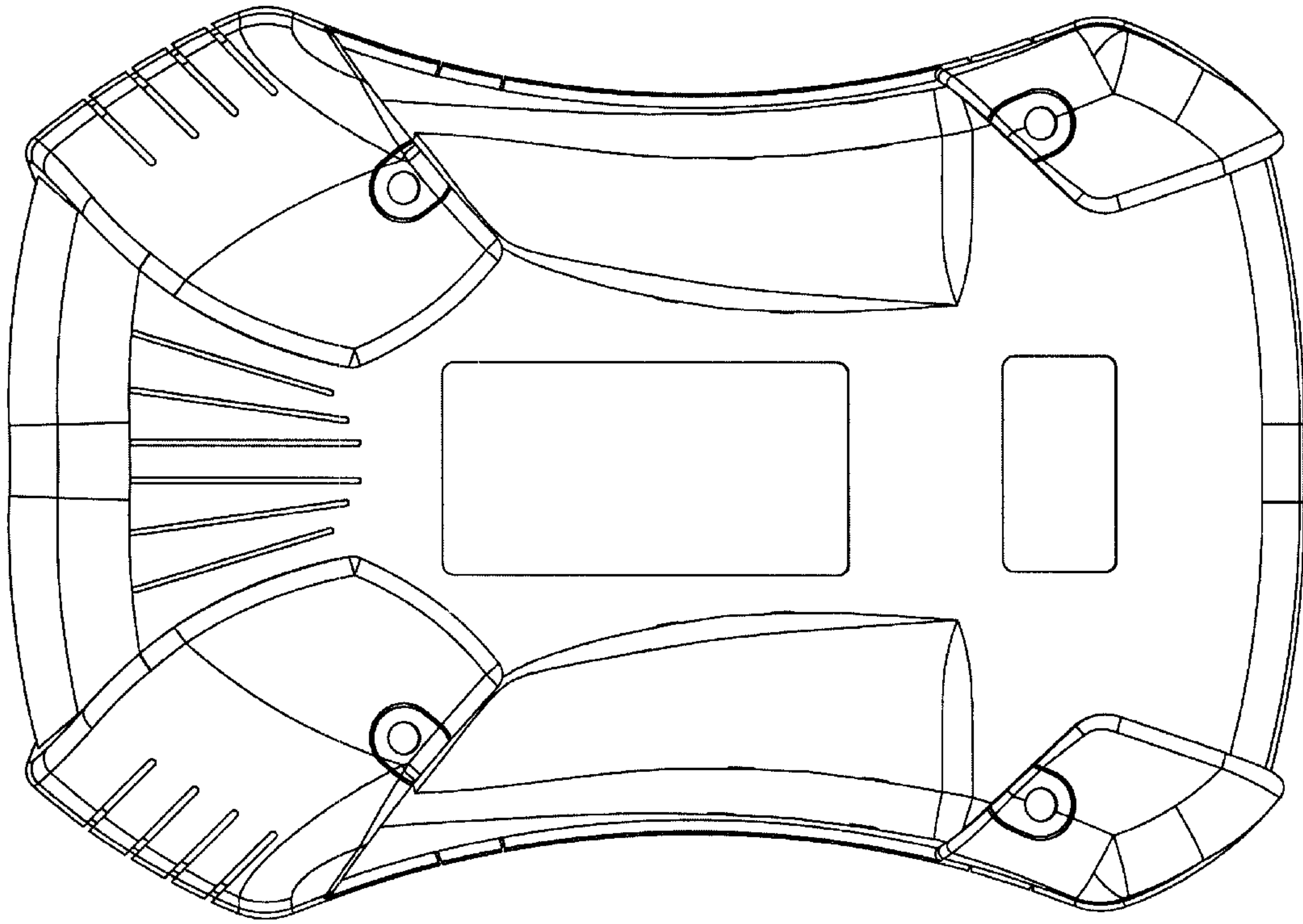


FIG. 7

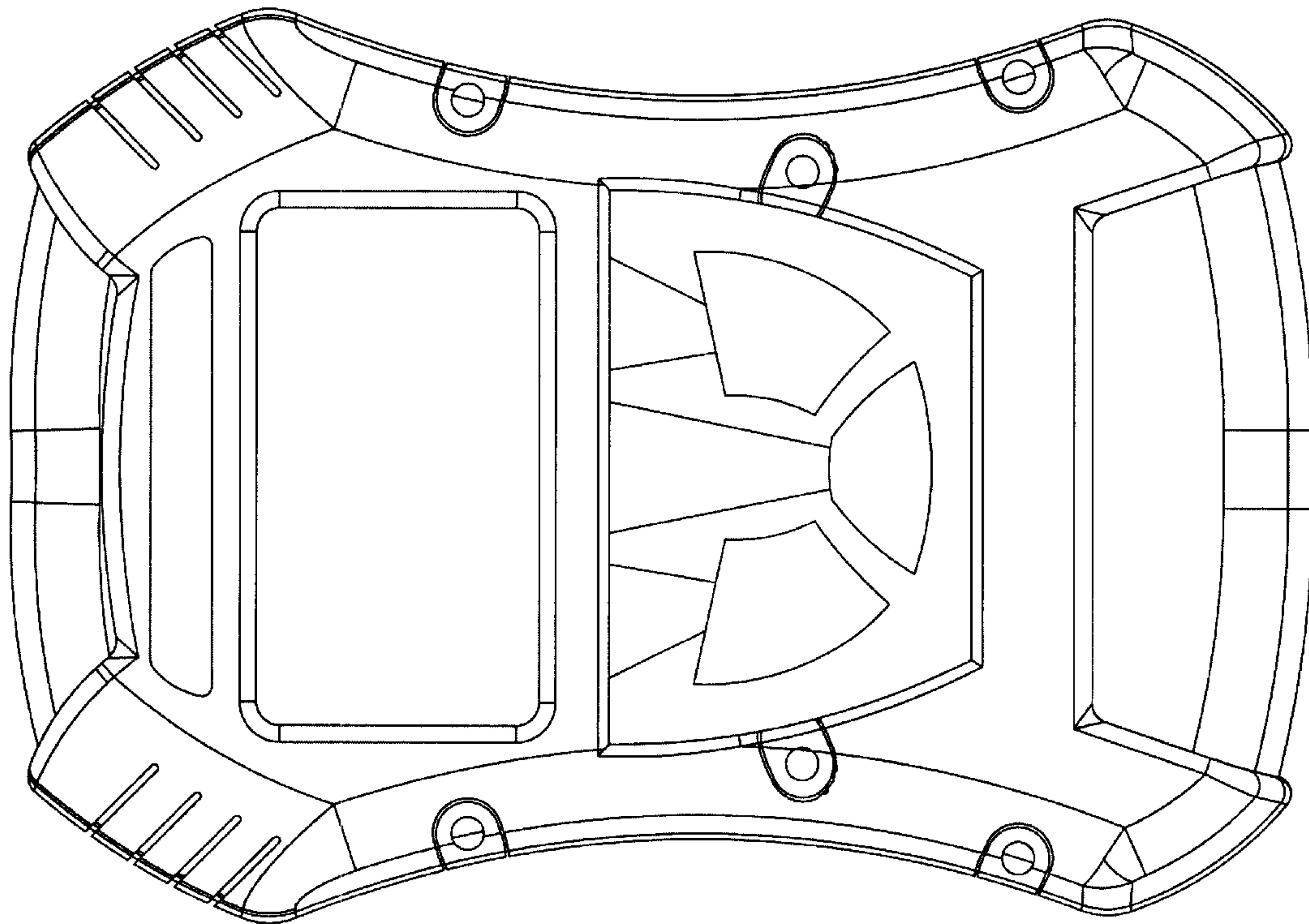


FIG. 6

UNITED STATES PATENT AND TRADEMARK OFFICE
CERTIFICATE OF CORRECTION

PATENT NO. : Des. 541,685 S
APPLICATION NO. : 29/251262
DATED : May 1, 2007
INVENTOR(S) : Richard N. Bradford

Page 1 of 1

It is certified that error appears in the above-identified patent and that said Letters Patent is hereby corrected as shown below:

Title Page; item (76);
Add the following person as a named inventor of the subject patent:
Jason B-Q Pichon
4329 Summit Creek Boulevard
#2110
Orlando, Florida 32837

Signed and Sealed this

Twenty-seventh Day of May, 2008

A handwritten signature in black ink that reads "Jon W. Dudas". The signature is written in a cursive style with a large, stylized initial "J".

JON W. DUDAS

Director of the United States Patent and Trademark Office