



US00D541683S

(12) **United States Design Patent**  
**Shiono**

(10) **Patent No.:** **US D541,683 S**  
(45) **Date of Patent:** **\*\* May 1, 2007**

(54) **MONITOR DISPLAY**

D508,683 S 8/2005 Nakamura

(75) Inventor: **Daisuke Shiono**, Tokyo (JP)

**OTHER PUBLICATIONS**

(73) Assignee: **Sony Corporation**, Tokyo (JP)

Web page "StreetPilot c320" <http://www.grmin.com/products/sp320/>, 1 sheet (Sep. 2005).

(\*\*) Term: **14 Years**

Web page "TomTom GO" <http://www.tomtom.com/products/product.php?ID=O&Language=1>, 4 sheets, TomTom International (Sep. 2005).

(21) Appl. No.: **29/244,635**

\* cited by examiner

(22) Filed: **Dec. 13, 2005**

(30) **Foreign Application Priority Data**

*Primary Examiner*—Antoine D. Davis

Sep. 16, 2005 (JP) ..... 2005-026841

(74) *Attorney, Agent, or Firm*—Rader, Fishman & Grauer PLLC

(51) **LOC (8) Cl.** ..... **10-04**

(57) **CLAIM**

(52) **U.S. Cl.** ..... **D10/65**

The ornamental design for a monitor display, as shown.

(58) **Field of Classification Search** ..... D10/65,  
D10/80; D14/347; 342/351, 419, 457, 357.06–357.13;  
343/702; 345/87, 104, 133, 156, 168, 173,  
345/901–905; 348/180, 184, 315, 739; 364/444,  
364/499; 701/206–209, 213, 214

**DESCRIPTION**

See application file for complete search history.

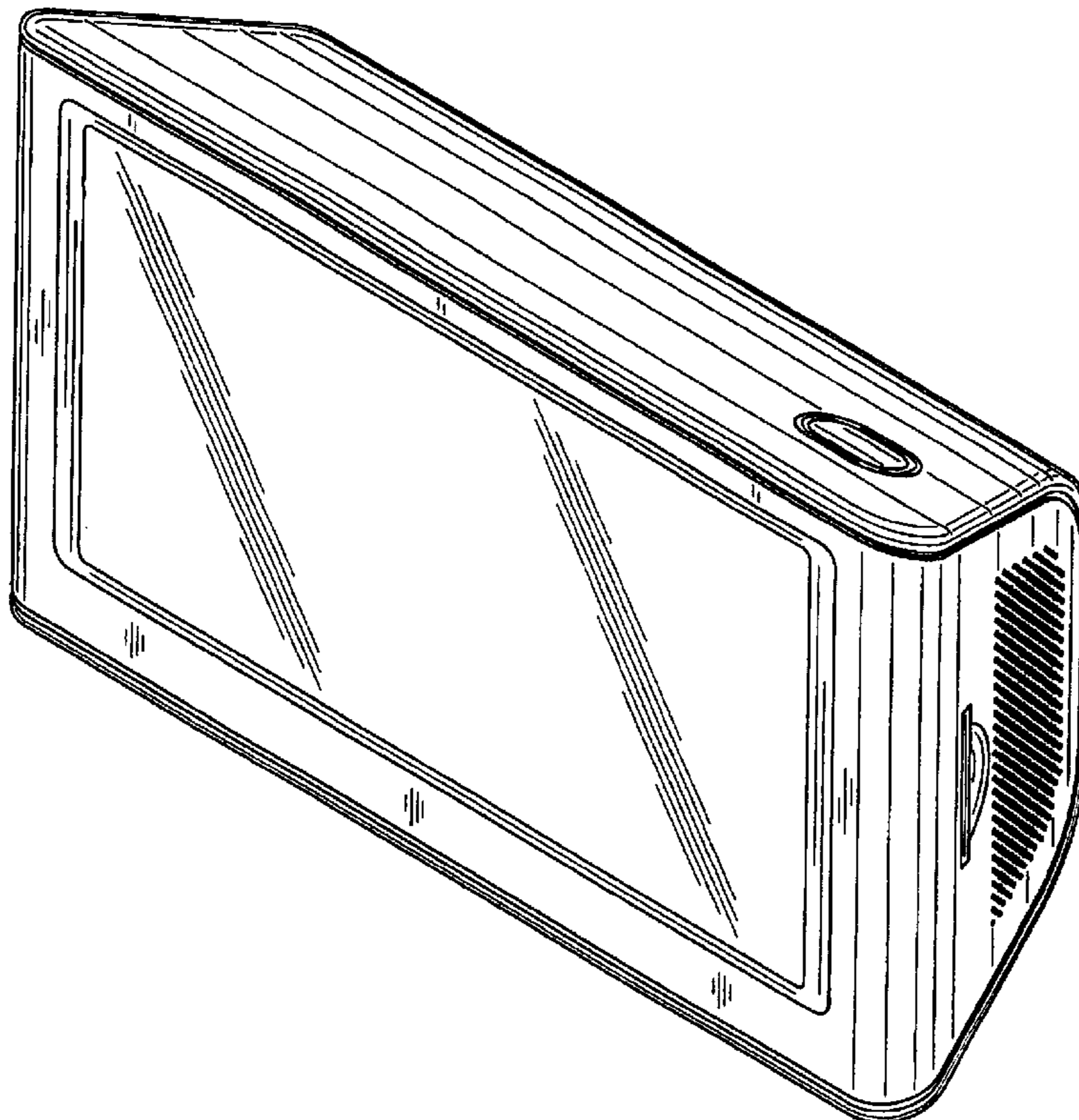
FIG. 1 is a perspective view of a monitor display showing my new design;  
FIG. 2 is a front elevational view thereof;  
FIG. 3 is a rear elevational view thereof;  
FIG. 4 is a left side elevational view thereof;  
FIG. 5 is a right side elevational view thereof;  
FIG. 6 is a top plan view thereof; and,  
FIG. 7 is a bottom plan view thereof.

(56) **References Cited**

**U.S. PATENT DOCUMENTS**

D366,220 S \* 1/1996 Sakamoto ..... D10/65  
D383,400 S \* 9/1997 Wada ..... D10/65  
D445,098 S 7/2001 Matsuoka et al.  
D483,353 S 12/2003 Hyogo

**1 Claim, 7 Drawing Sheets**



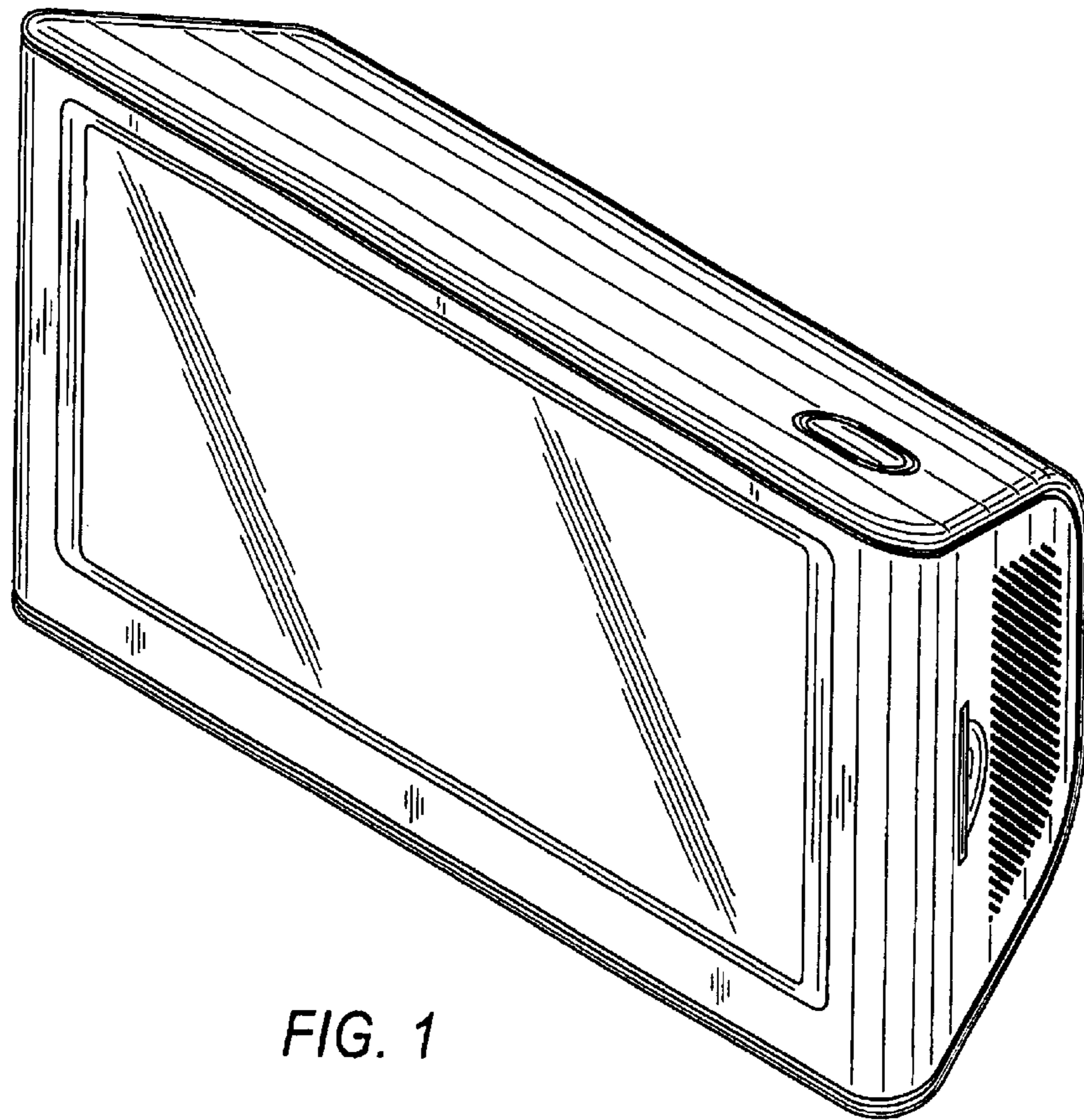


FIG. 1

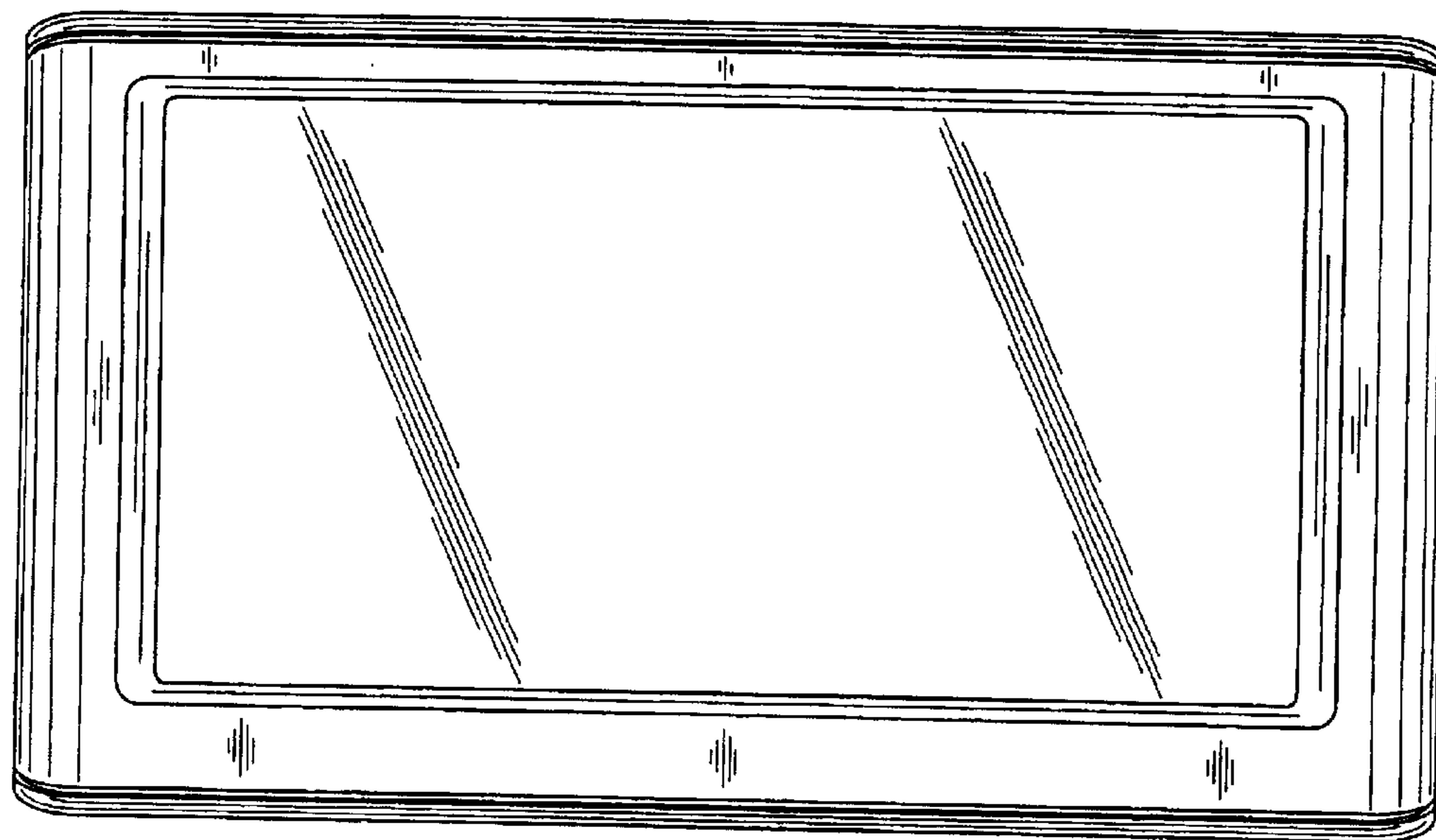


FIG. 2

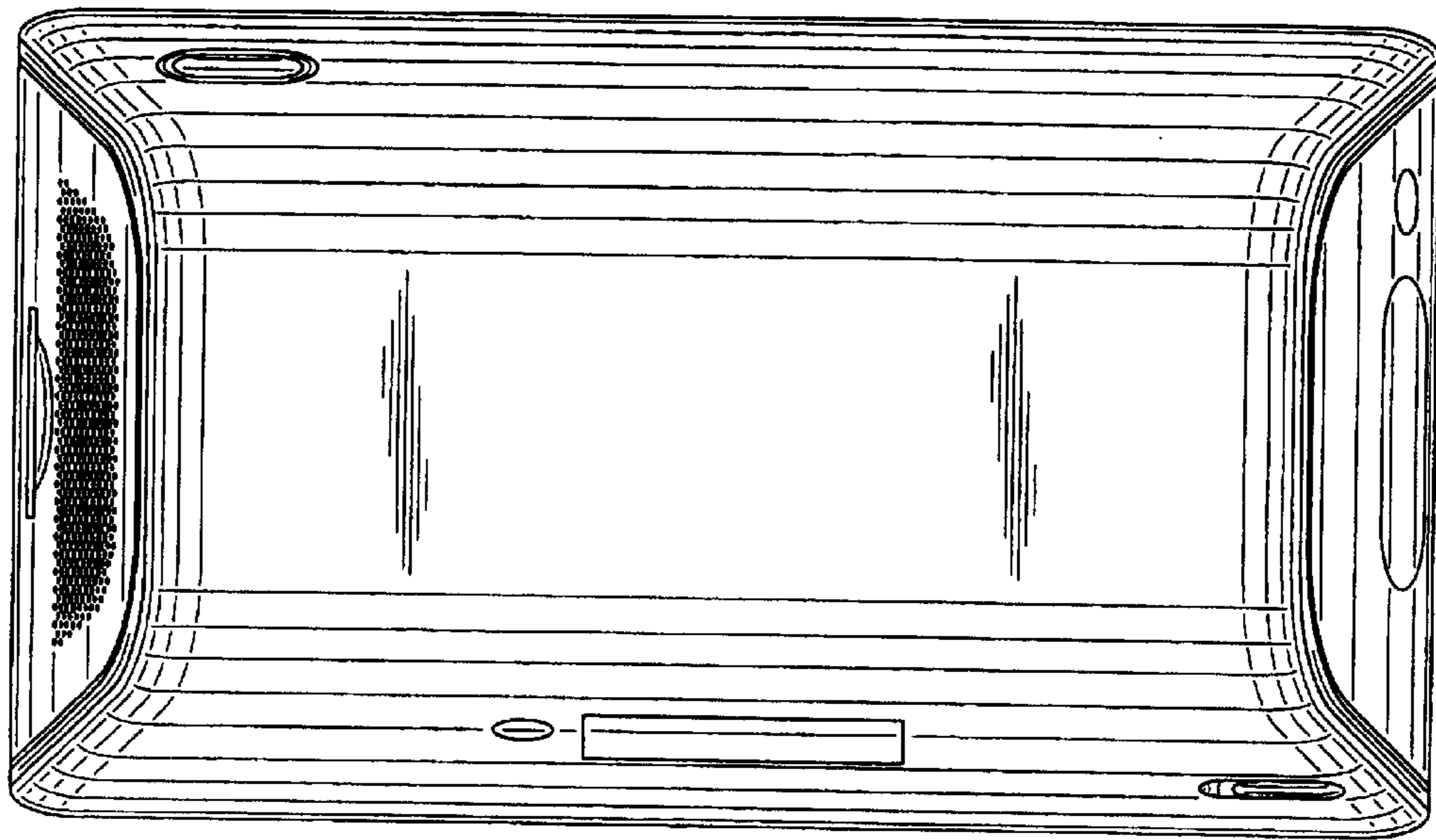
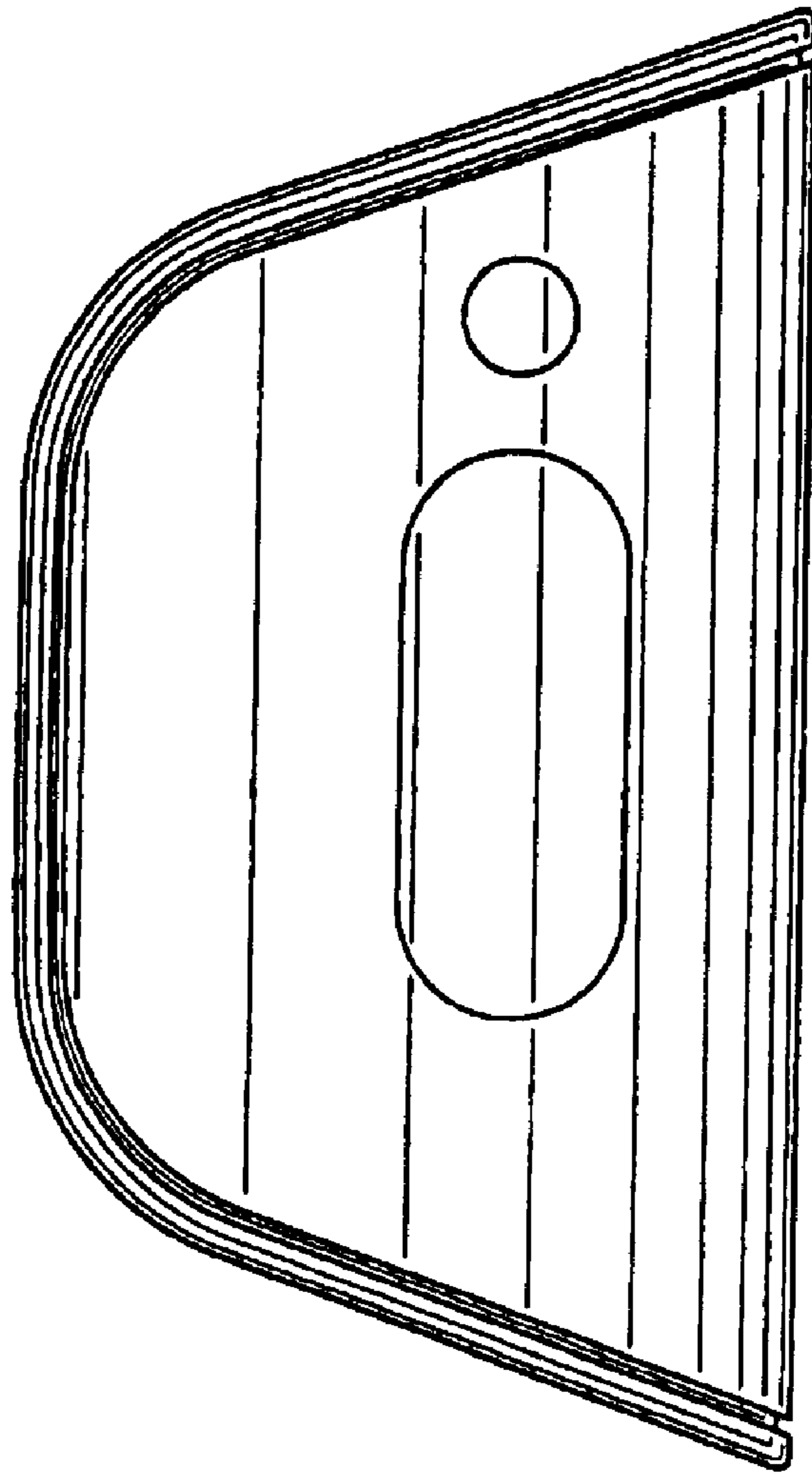
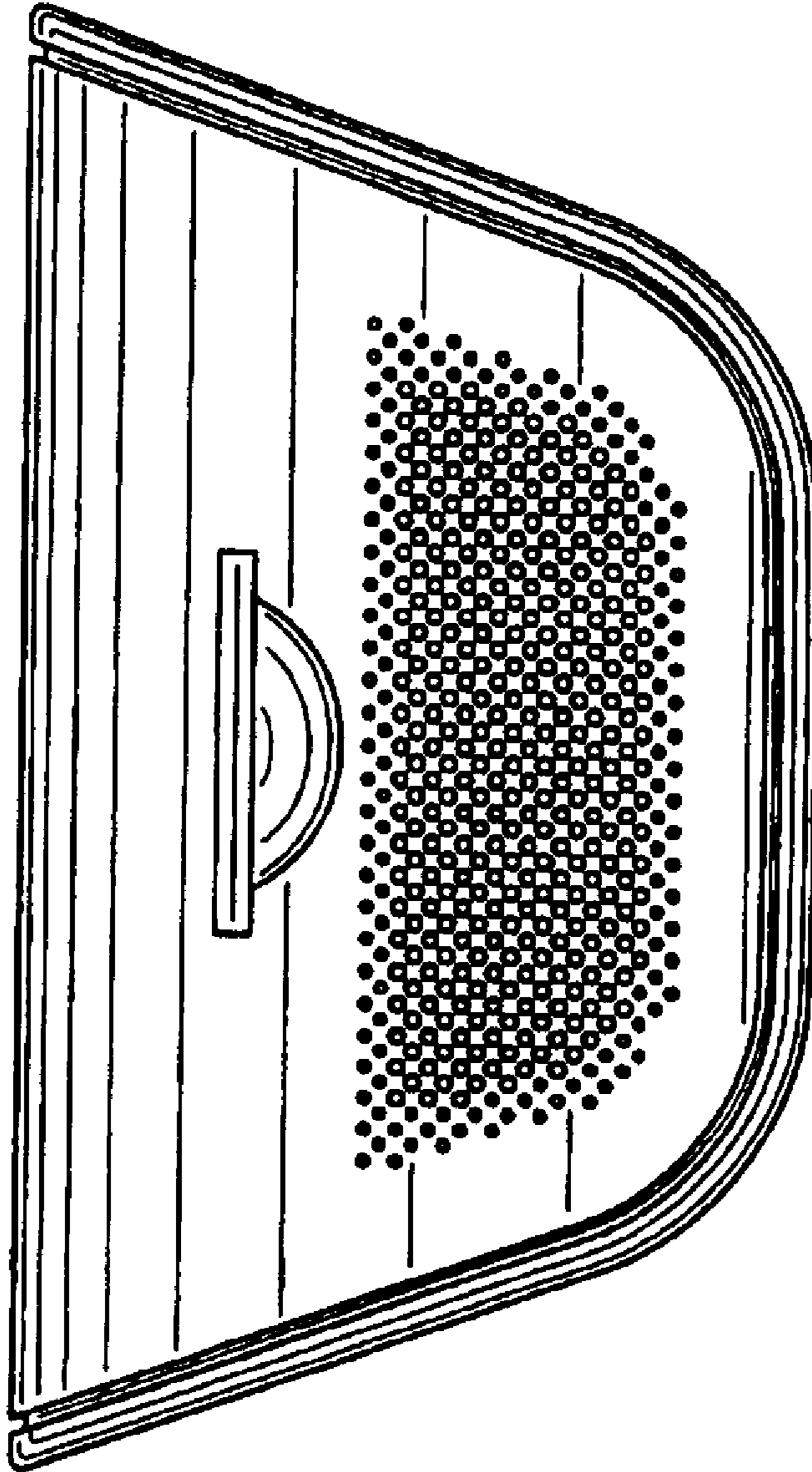


FIG. 3



*FIG. 4*





**FIG. 5**

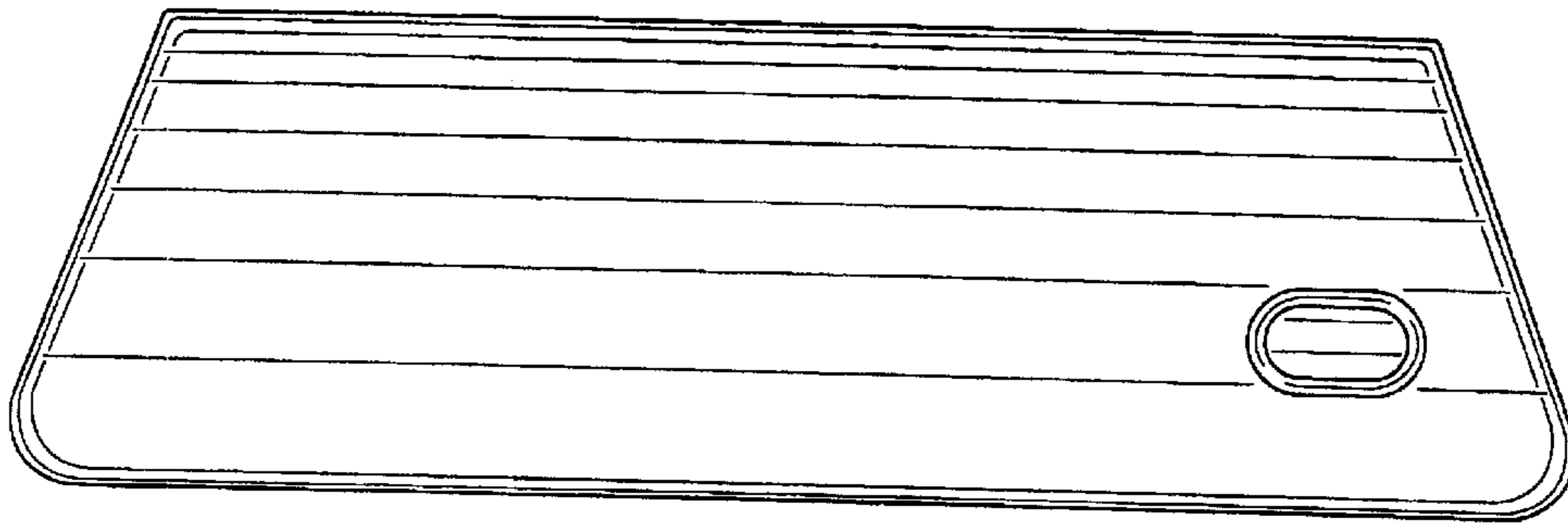


FIG. 6

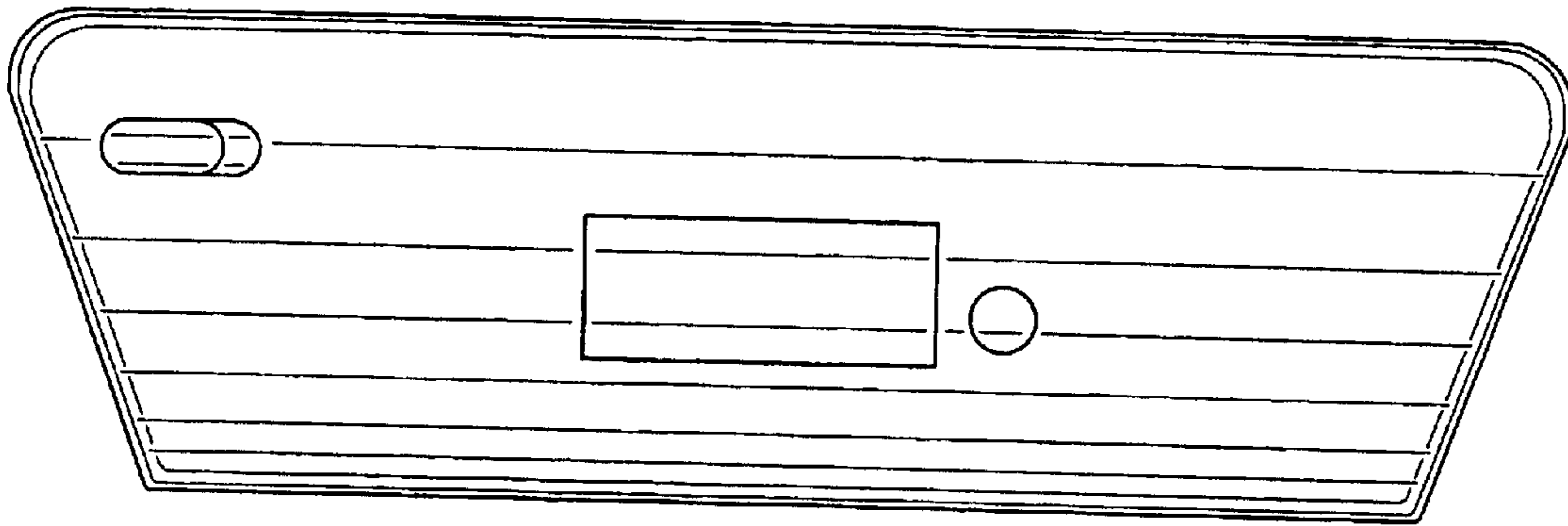


FIG. 7