



US00D541682S

(12) **United States Design Patent**
Uno

(10) **Patent No.:** **US D541,682 S**
(45) **Date of Patent:** **** May 1, 2007**

(54) **NAVIGATION SYSTEM MONITOR**

D383,400 S * 9/1997 Wada D10/65

(75) Inventor: **Yukio Uno**, Tottori (JP)

FOREIGN PATENT DOCUMENTS

(73) Assignees: **Sanyo Electric Co., Ltd.**, Osaka (JP);
Tottori Sanyo Electric Co., Ltd.,
Tottori (JP)

JP	1178407-D	7/2003
JP	1181019-D	8/2003
JP	1200325-D	3/2004

(**) Term: **14 Years**

* cited by examiner

(21) Appl. No.: **29/232,142**

Primary Examiner—Antoine D. Davis

(22) Filed: **Jun. 14, 2005**

(74) *Attorney, Agent, or Firm*—Darby & Darby

(30) **Foreign Application Priority Data**

(57) **CLAIM**

Jan. 12, 2005 (JP) 2005-000600

The ornamental design for navigation system monitor, as shown and described.

(51) **LOC (8) Cl.** **10-04**

DESCRIPTION

(52) **U.S. Cl.** **D10/65**

(58) **Field of Classification Search** D10/65,
D10/80; D14/347; 342/351, 419, 457, 357.06–357.13;
343/702; 345/87, 104, 133, 156, 168, 173,
345/901–905; 348/180, 184, 315, 739; 364/444,
364/499; 701/206–209, 213, 214
See application file for complete search history.

FIG. 1 is a front, top, right side perspective view of my new design for a navigation system monitor;
FIG. 2 is a front elevation view of my new design for a navigation system monitor;
FIG. 3 is a rear elevation view thereof;
FIG. 4 is a top plan view thereof;
FIG. 5 is a bottom plan view thereof;
FIG. 6 is a left side elevation view thereof; and,
FIG. 7 is a right side elevation view of my new design for a navigation system monitor.

(56) **References Cited**

U.S. PATENT DOCUMENTS

D366,220 S * 1/1996 Sakamoto D10/65

1 Claim, 3 Drawing Sheets

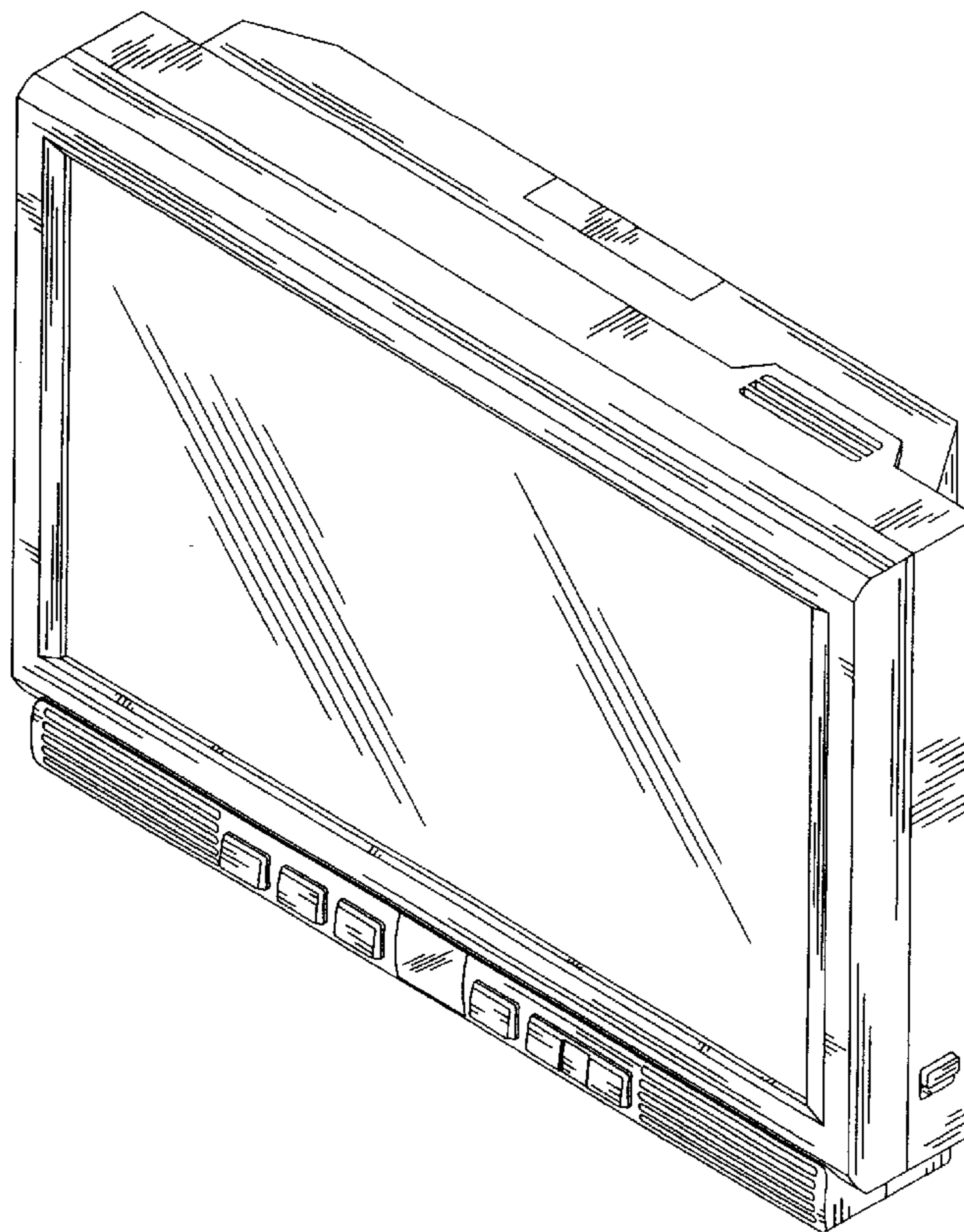


FIG. 1

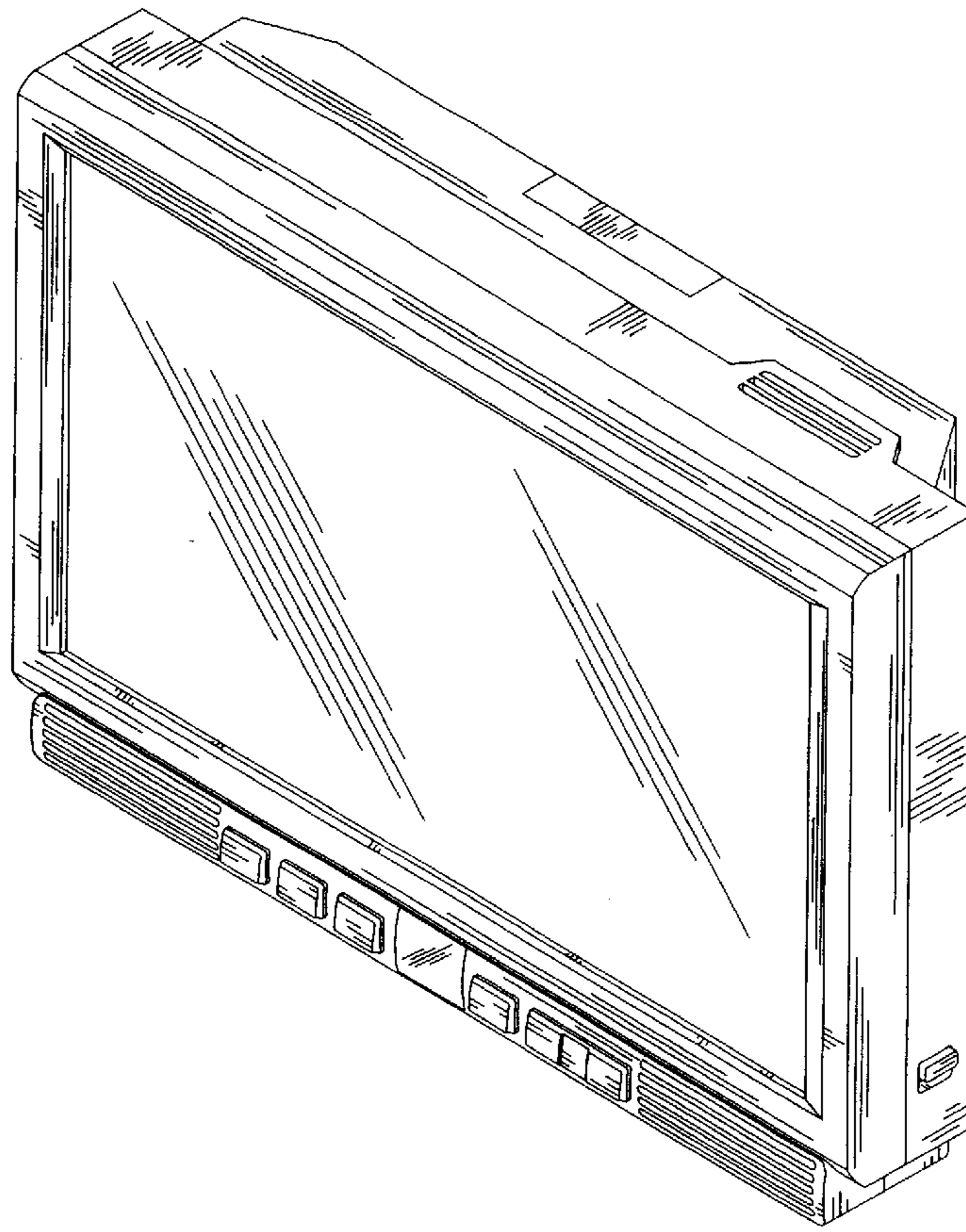


FIG. 2

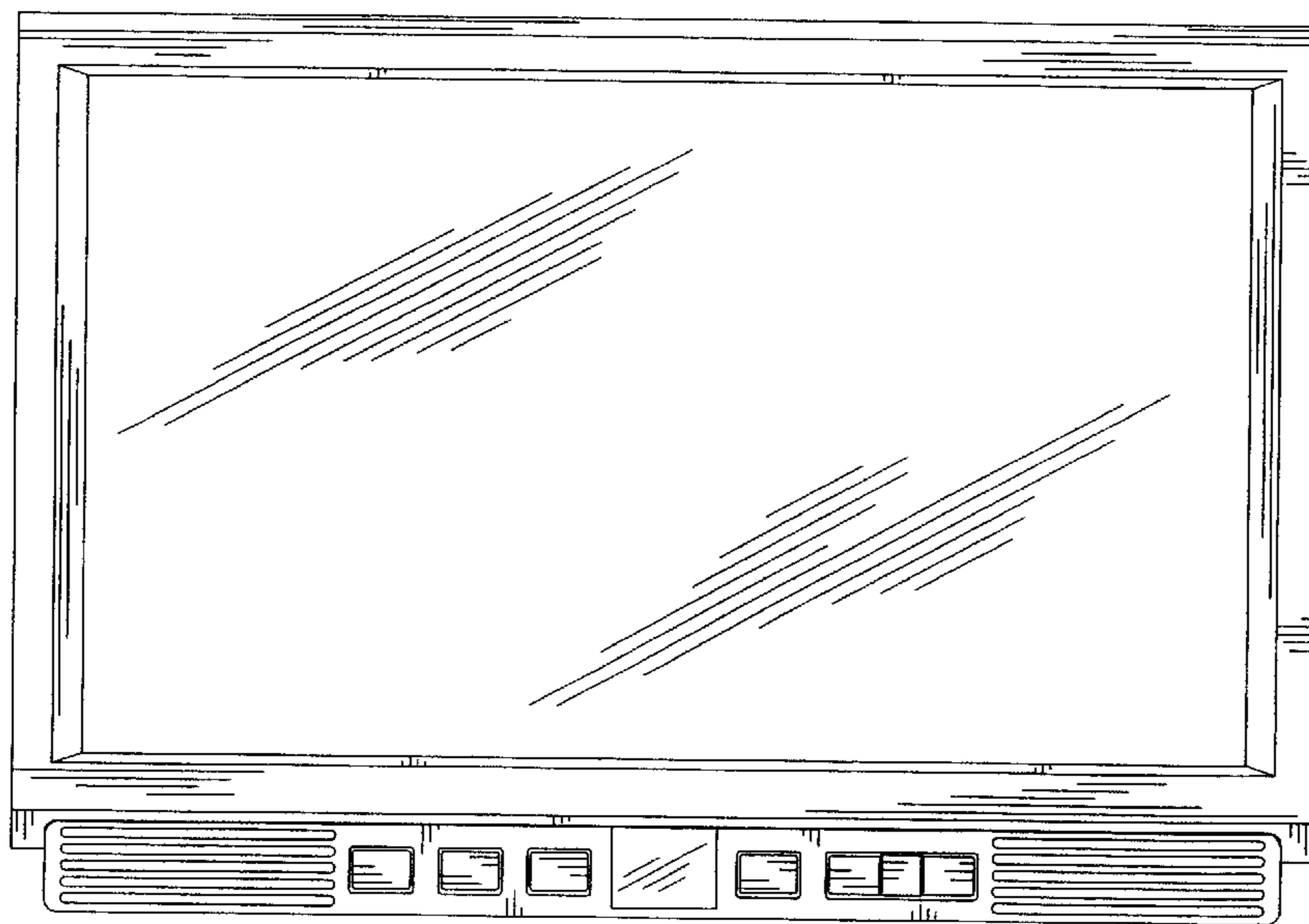


FIG. 3

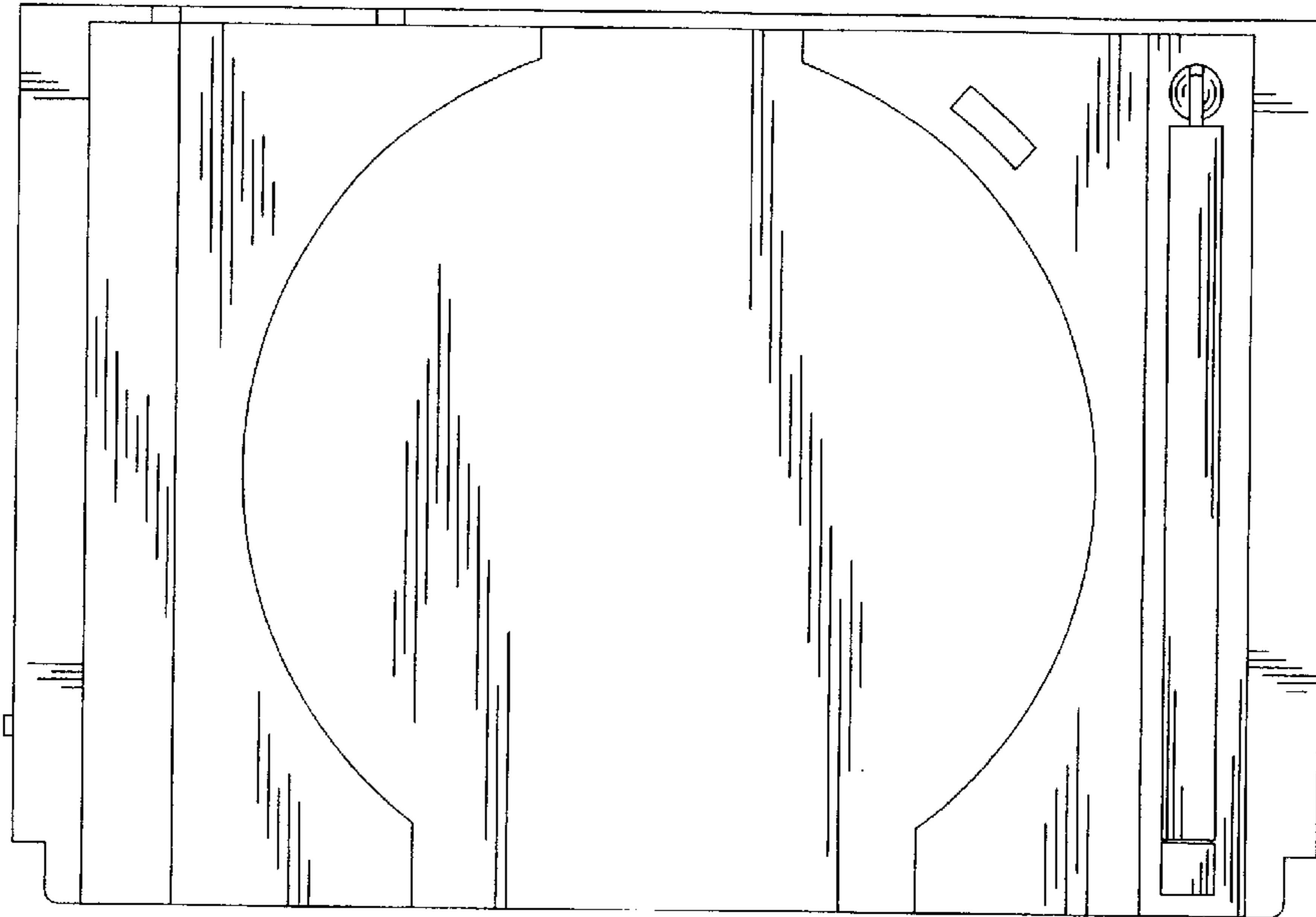


FIG. 4

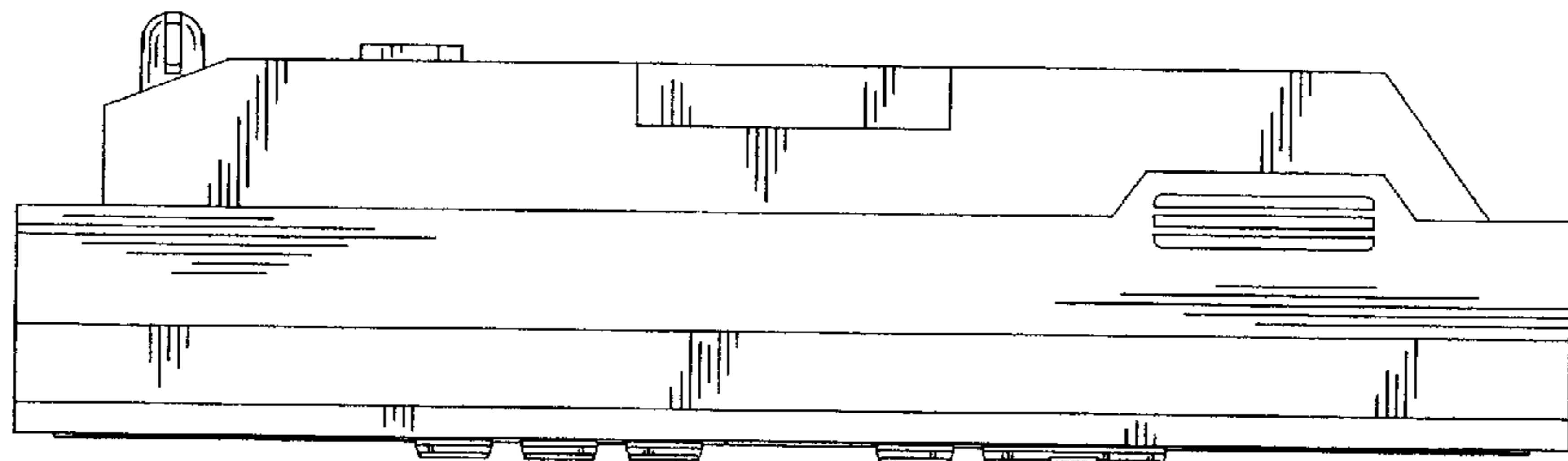


FIG. 5

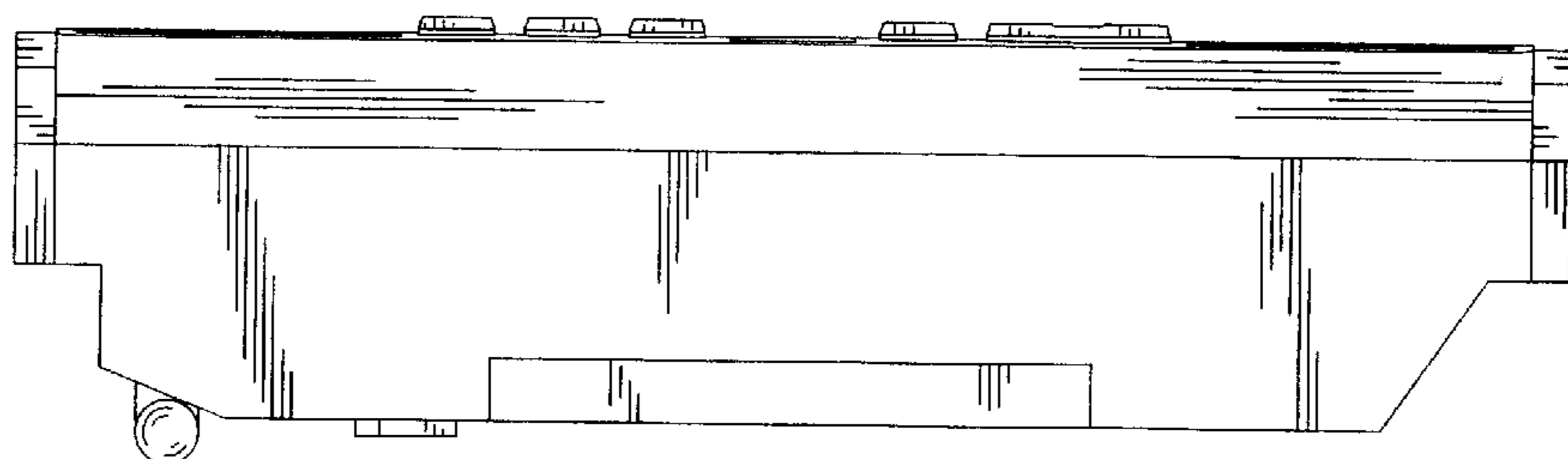


FIG. 6

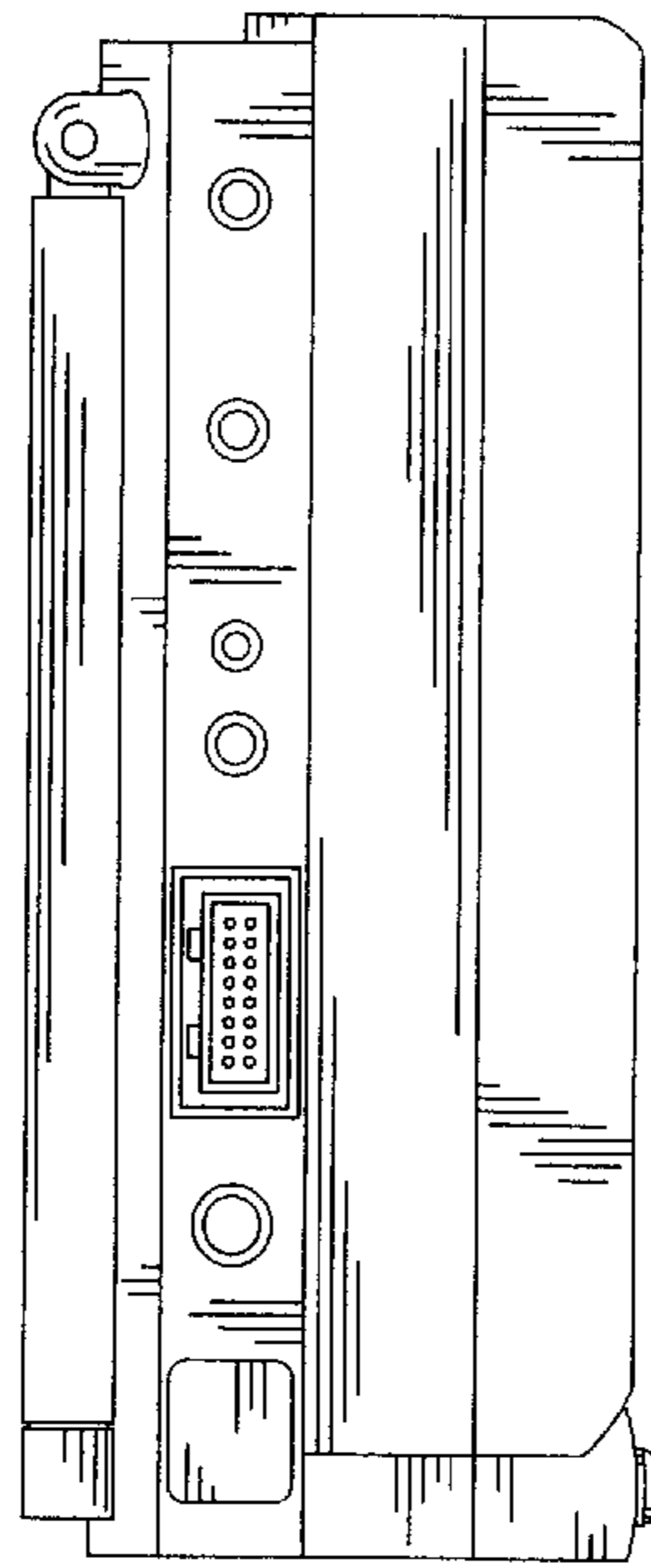


FIG. 7

