



US00D541676S

(12) **United States Design Patent**
Liao

(10) **Patent No.:** **US D541,676 S**

(45) **Date of Patent:** **** May 1, 2007**

(54) **WATCH CASE**

(75) **Inventor:** **Ren Cong Liao**, Shenzhen (CN)

(73) **Assignee:** **New Heritage Limited**, Hung Hom Kln (HK)

(**) **Term:** **14 Years**

(21) **Appl. No.:** **29/224,970**

(22) **Filed:** **Mar. 8, 2005**

(51) **LOC (8) Cl.** **10-02**

(52) **U.S. Cl.** **D10/38**

(58) **Field of Classification Search** D10/30-39,
D10/122-129; 368/80, 223, 228-229, 232,
368/276, 280-283, 285, 28-30, 21
See application file for complete search history.

(56) **References Cited**

U.S. PATENT DOCUMENTS

D229,771 S	*	1/1974	Campbell	D10/39
D252,858 S	*	9/1979	Perrin	D10/39
D379,597 S	*	6/1997	Alvarez Gago	D10/39
D397,620 S	*	9/1998	Fujihara et al.	D10/30
D416,811 S	*	11/1999	Krauss et al.	D10/30
D473,478 S	*	4/2003	d'Origny	D10/39
D512,654 S	*	12/2005	Scheufele	D10/39
D513,196 S	*	12/2005	Lazaretnik	D10/39
D517,432 S	*	3/2006	Laucella	D10/39

OTHER PUBLICATIONS

Asian Sources Timepieces, Jun. 1989, p. 67, Watch #CP-113 'Gold Oval Watch'.*

* cited by examiner

Primary Examiner—Janice Seeger

Assistant Examiner—Zenia Bennett

(74) *Attorney, Agent, or Firm*—Thomas I. Rozsa; Tony D. Chen

(57) **CLAIM**

The ornamental design for a watch case, as shown and described.

DESCRIPTION

FIG. 1 is a perspective view of a watch case when viewed from the right side, showing my new design;

FIG. 2 is a perspective view when viewed from the left side;

FIG. 3 is rear plan view;

FIG. 4 is a front plan view;

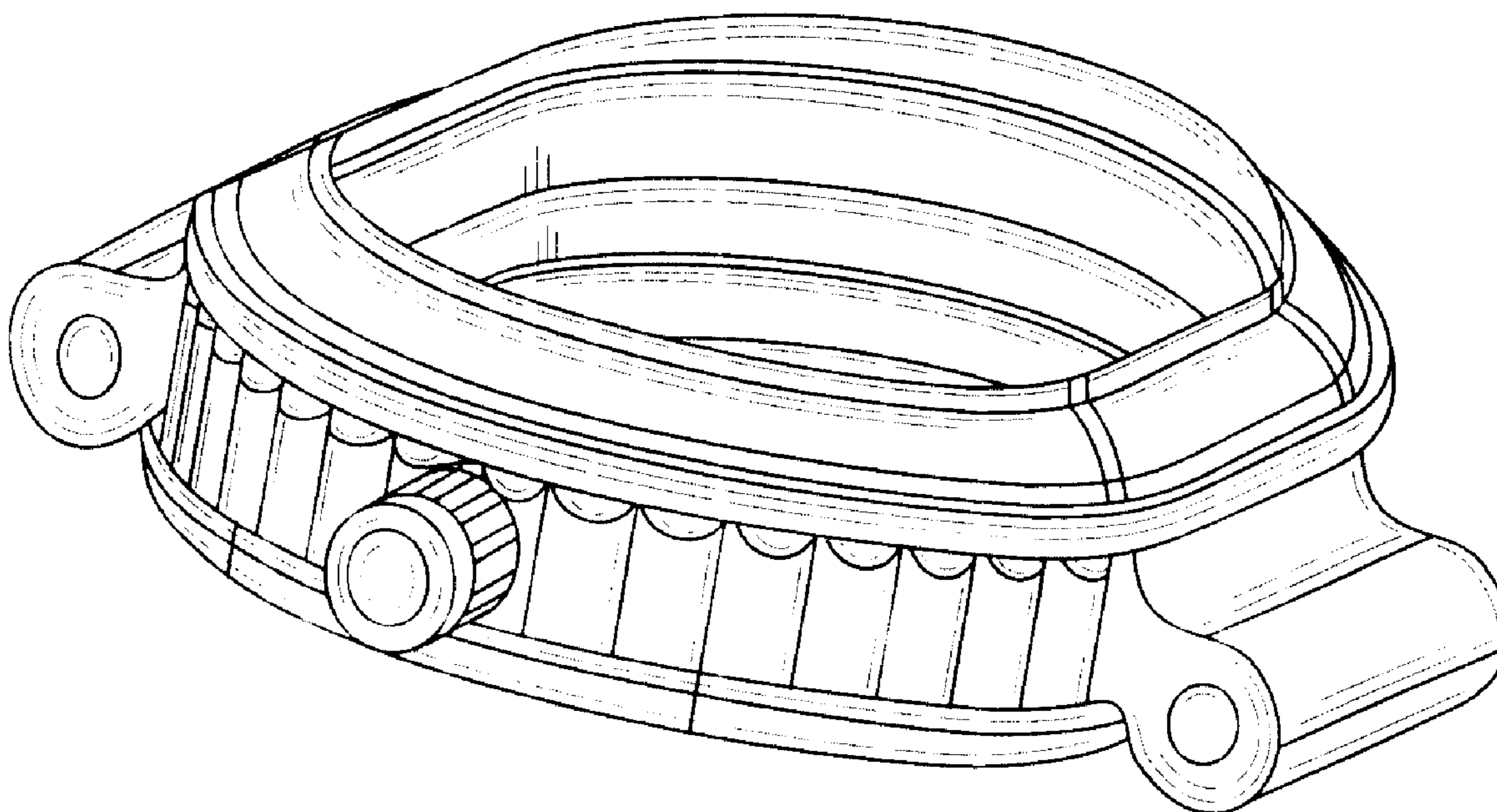
FIG. 5 is a top plan view;

FIG. 6 is a bottom plan view;

FIG. 7 is a side elevational view when viewed from the right side, showing my new design; and,

FIG. 8 is a side elevational view when viewed from the left side.

1 Claim, 4 Drawing Sheets



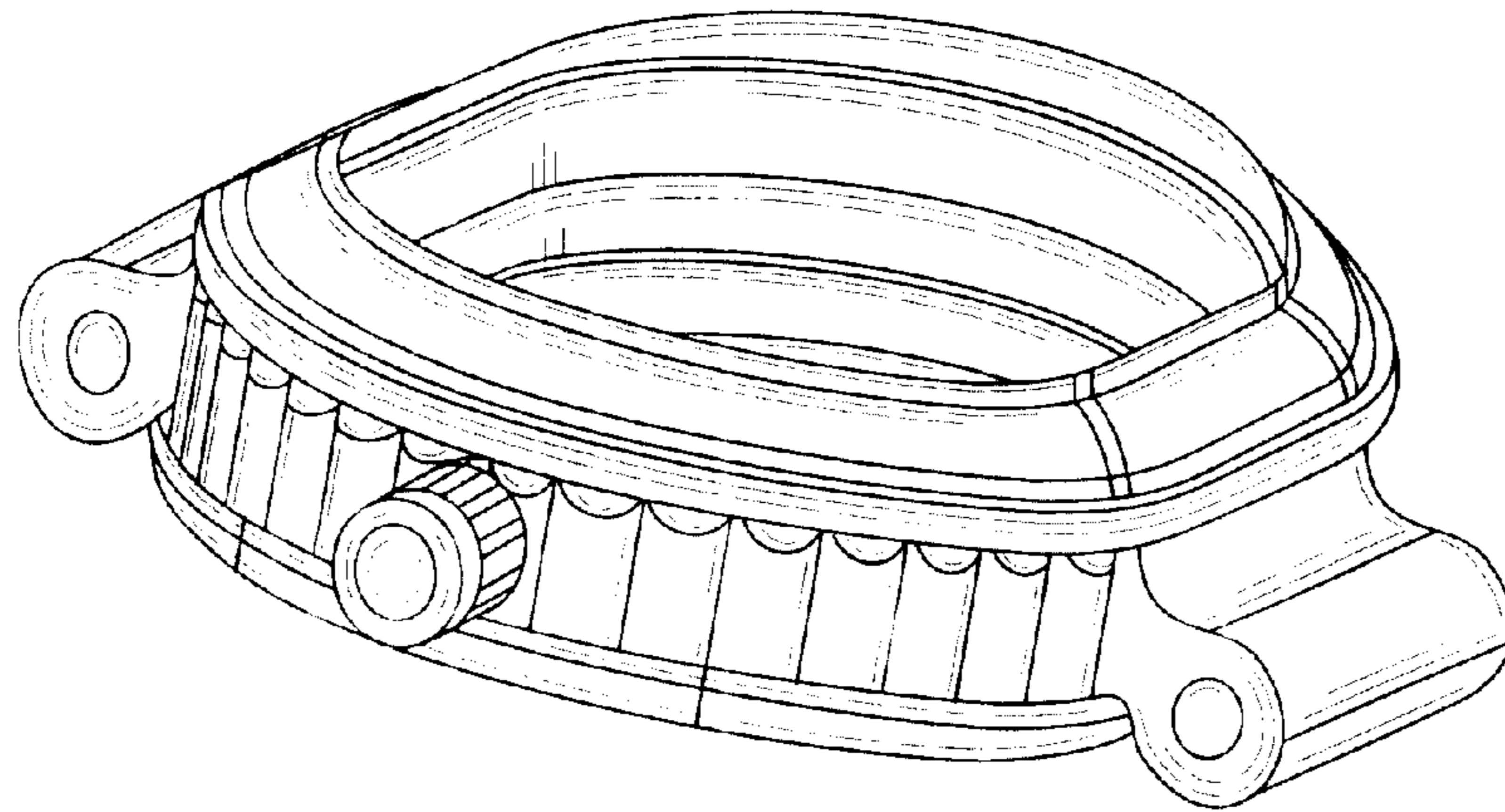


FIG. 1

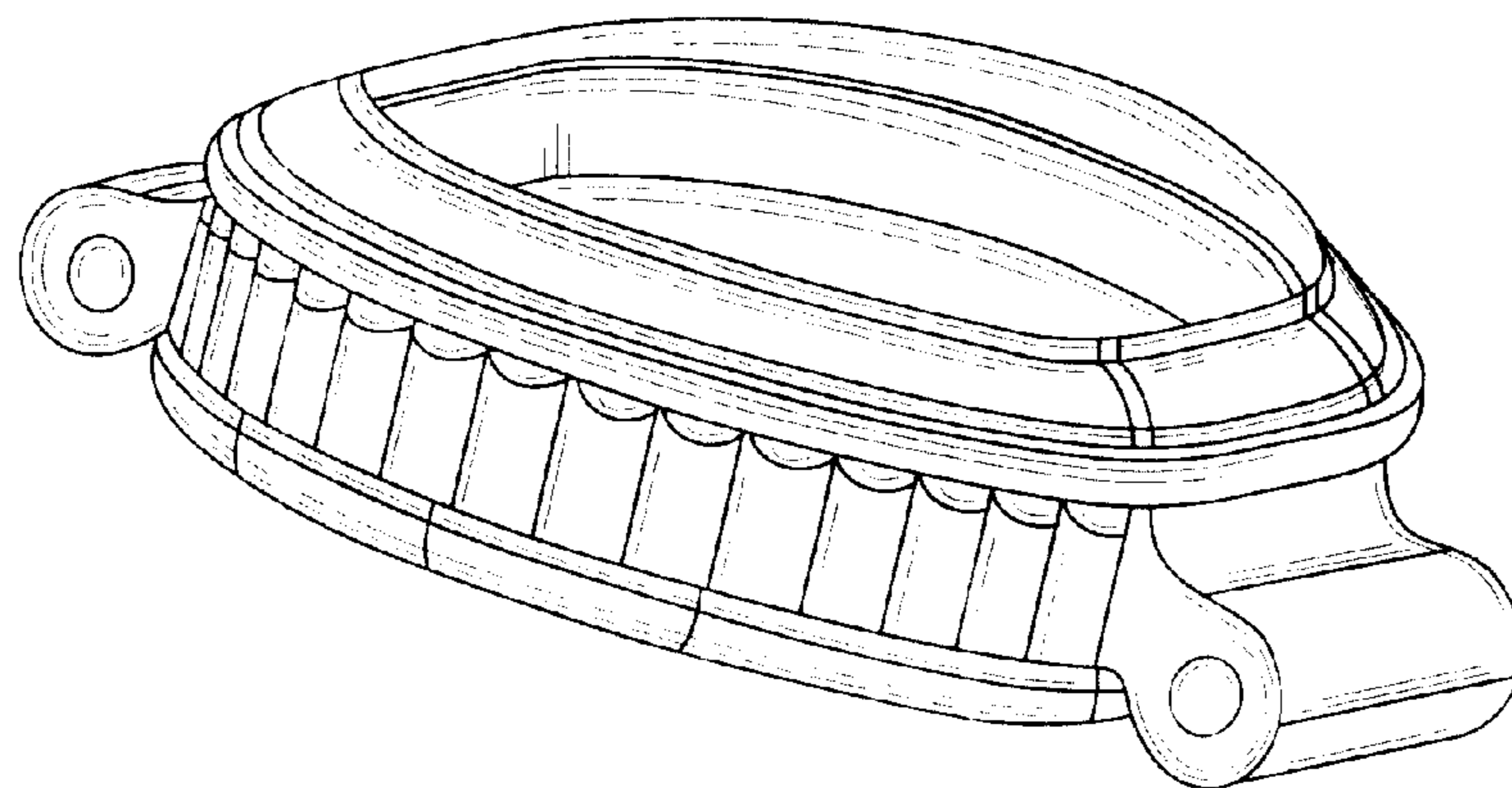


FIG. 2

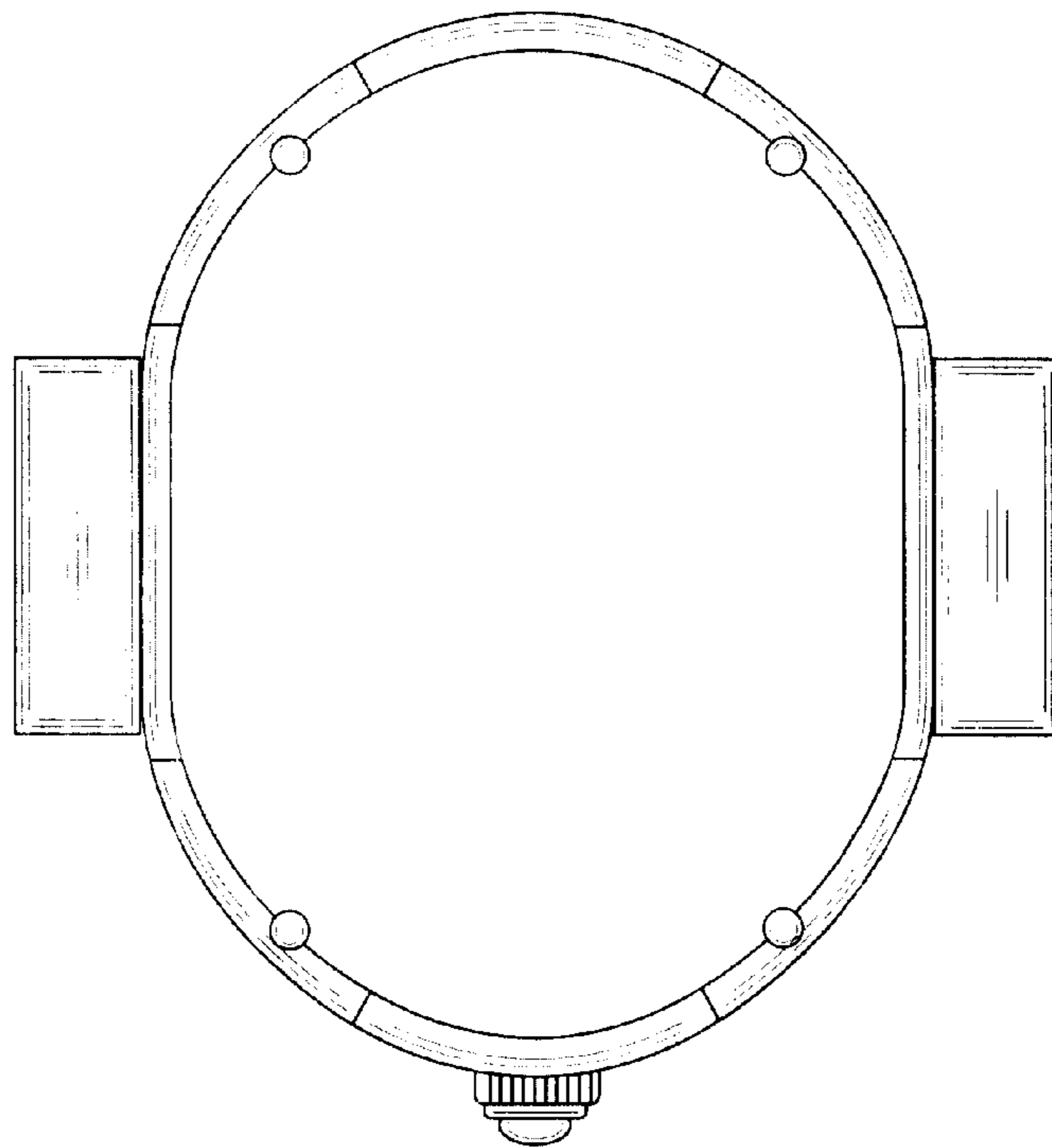


FIG. 3

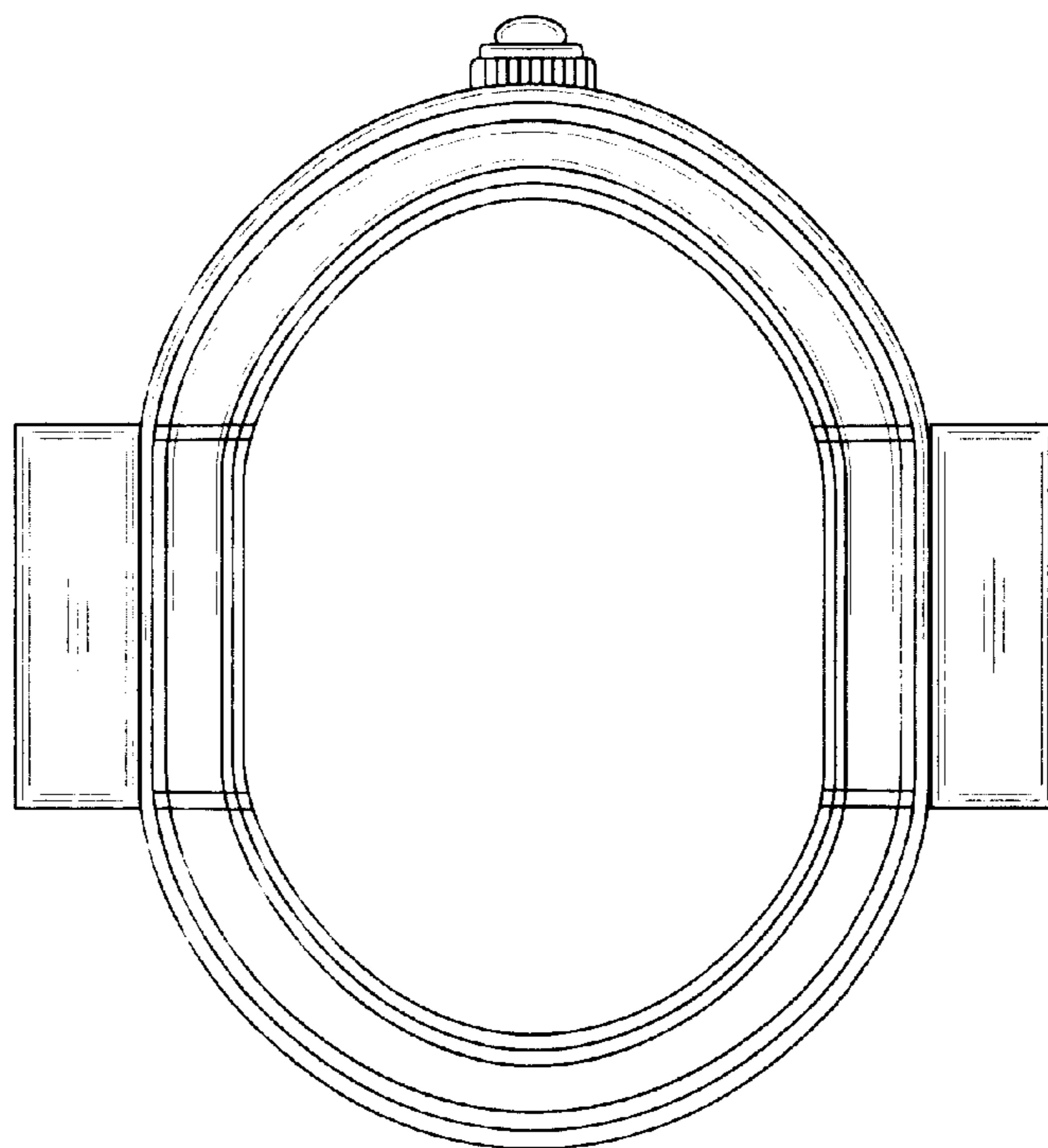


FIG. 4

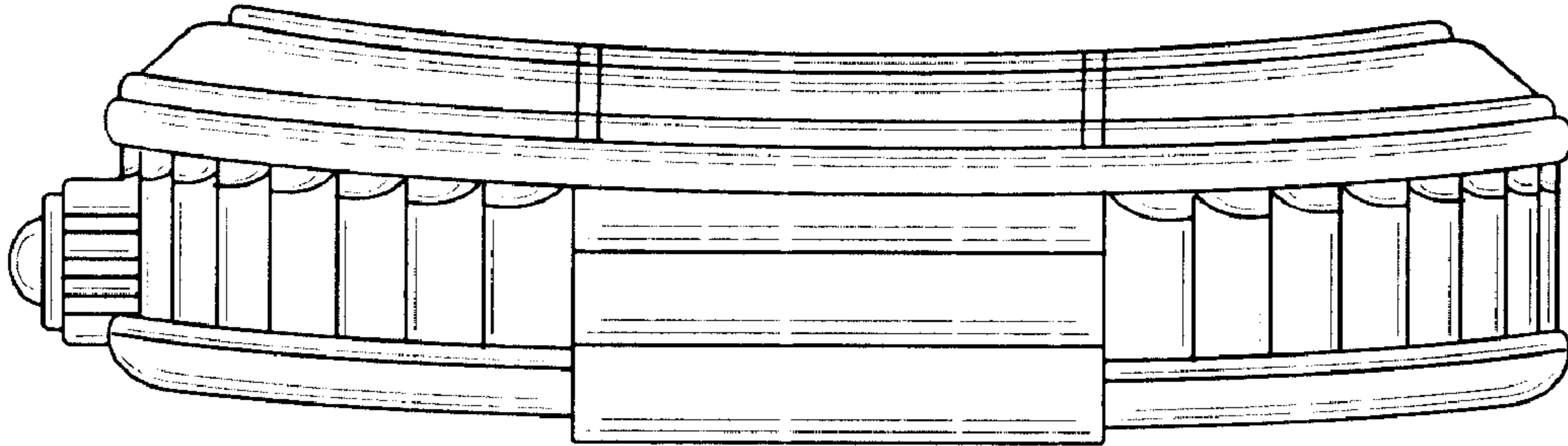


FIG. 5

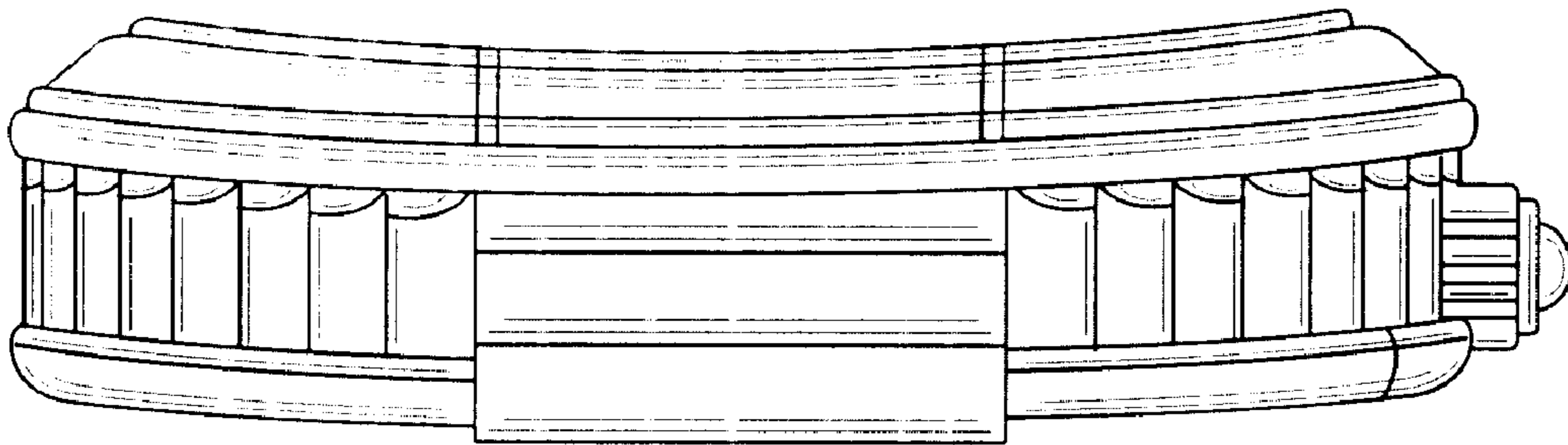


FIG. 6

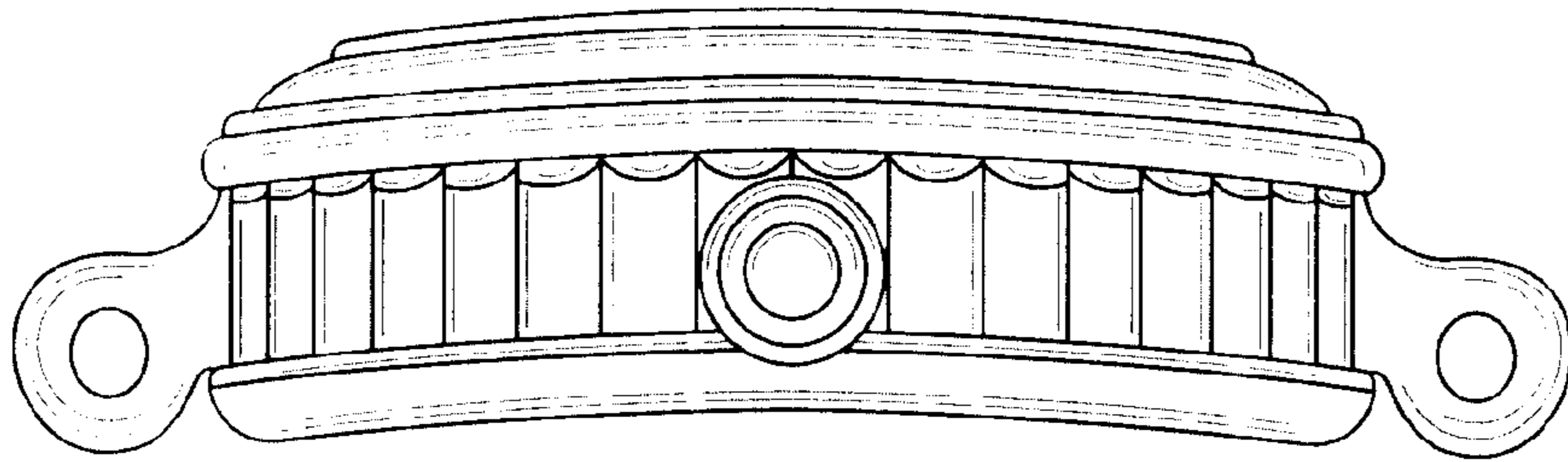


FIG. 7

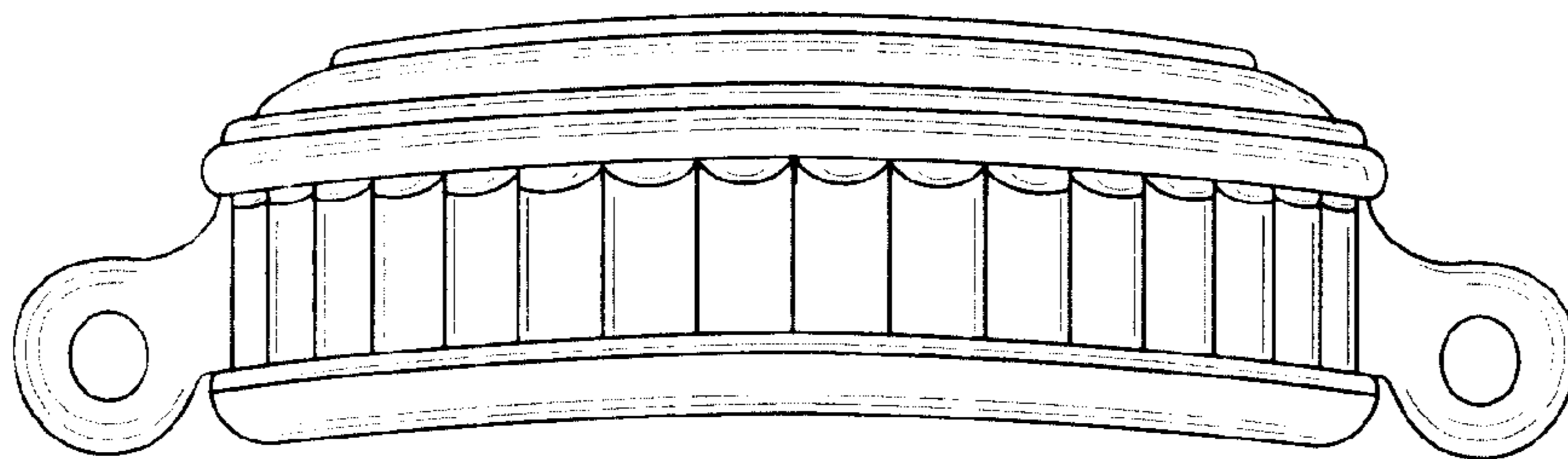


FIG. 8