

US00D541671S

(12) **United States Design Patent**
Stick et al.

(10) **Patent No.: US D541,671 S**

(45) **Date of Patent: ** May 1, 2007**

(54) **SET OF NESTED STORAGE CONTAINERS WITH LIDS AND HANDLES**

(76) Inventors: **Tammi E. Stick**, 14051 County Road 3615, Ada, OK (US) 74820; **Janet L. Owens**, P.O. Box 252, Fittstown, OK (US) 74842

(**) **Term: 14 Years**

(21) **Appl. No.: 29/218,084**

(22) **Filed: Nov. 29, 2004**

(51) **LOC (8) Cl. 09-01**

(52) **U.S. Cl. D9/744; D9/533; D9/561; D9/575; D9/742**

(58) **Field of Classification Search** D9/414, D9/600, 629, 682, 684, 686-694, 737-747, D9/516-517, 521-522, 524-526, 529-530, D9/533, 535, 541, 547-549, 559, 561, 569, D9/575, 435, 444, 445; D3/202; 215/6, 10, 215/381-385, 12.1; 220/660, 669, 675; D7/213, D7/591, 629, 703, 705

See application file for complete search history.

(56) **References Cited**

U.S. PATENT DOCUMENTS

146,783	A	*	1/1874	Richardson	215/10
2,316,384	A		4/1943	Abramson		
D156,789	S		1/1950	Warner		
2,764,309	A	*	9/1956	Zelonka	220/23.4
3,015,429	A	*	1/1962	Morici	229/120.37
3,610,510	A		10/1971	Lowry		
4,139,114	A	*	2/1979	Long et al.	220/23.4
4,194,619	A	*	3/1980	Schley	206/217

D257,289	S	*	10/1980	Akimov et al.	D24/224
D276,400	S	*	11/1984	Daenen et al.	D7/629
D279,621	S	*	7/1985	Richer	D3/20
5,007,540	A	*	4/1991	Beasley et al.	206/581
D324,121	S	*	2/1992	Schierlinger	D34/7
D354,909	S	*	1/1995	Blanche	D9/739
D393,705	S	*	4/1998	Dure	D23/365
D395,790	S	*	7/1998	Gaines	D7/510
5,833,336	A		11/1998	Dean		
D416,366	S		11/1999	Dunbar		
D449,524	S	*	10/2001	Kieras	D9/559
D453,113	S	*	1/2002	Feen et al.	D9/561
6,592,023	B2	*	7/2003	Li Vigni et al.	229/146
D497,038	S	*	10/2004	Tsai	D28/85
D512,637	S	*	12/2005	De Monclin	D9/522

* cited by examiner

Primary Examiner—Carol Rademaker

(74) *Attorney, Agent, or Firm*—Donald R. Schoonover

(57) **CLAIM**

We claim the ornamental design for set of nested storage containers with lids and handles, as shown and described.

DESCRIPTION

FIG. 1 is an exploded perspective view of set of nested storage containers with lids and handles showing our new design;

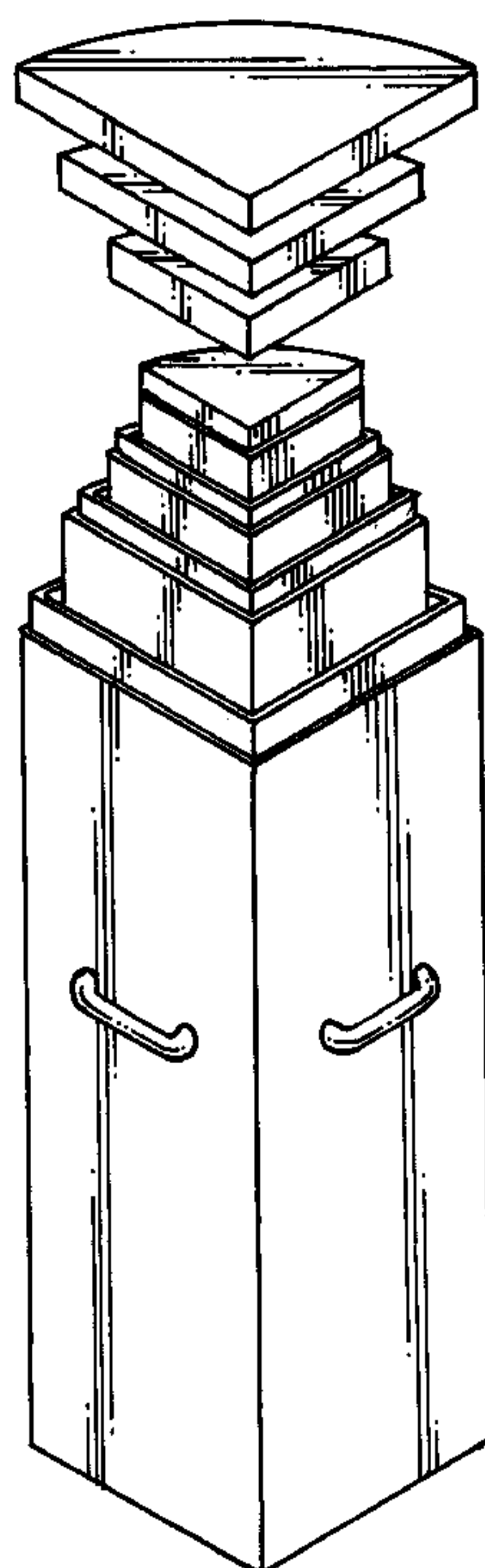
FIG. 2 is a front elevational view thereof;

FIG. 3 is a rear elevational view thereof;

FIG. 4 is a left side elevational view thereof, the right side elevational view being a mirror image thereof; and,

FIG. 5 is a top plan view thereof, the bottom plan view being identical thereto.

1 Claim, 3 Drawing Sheets



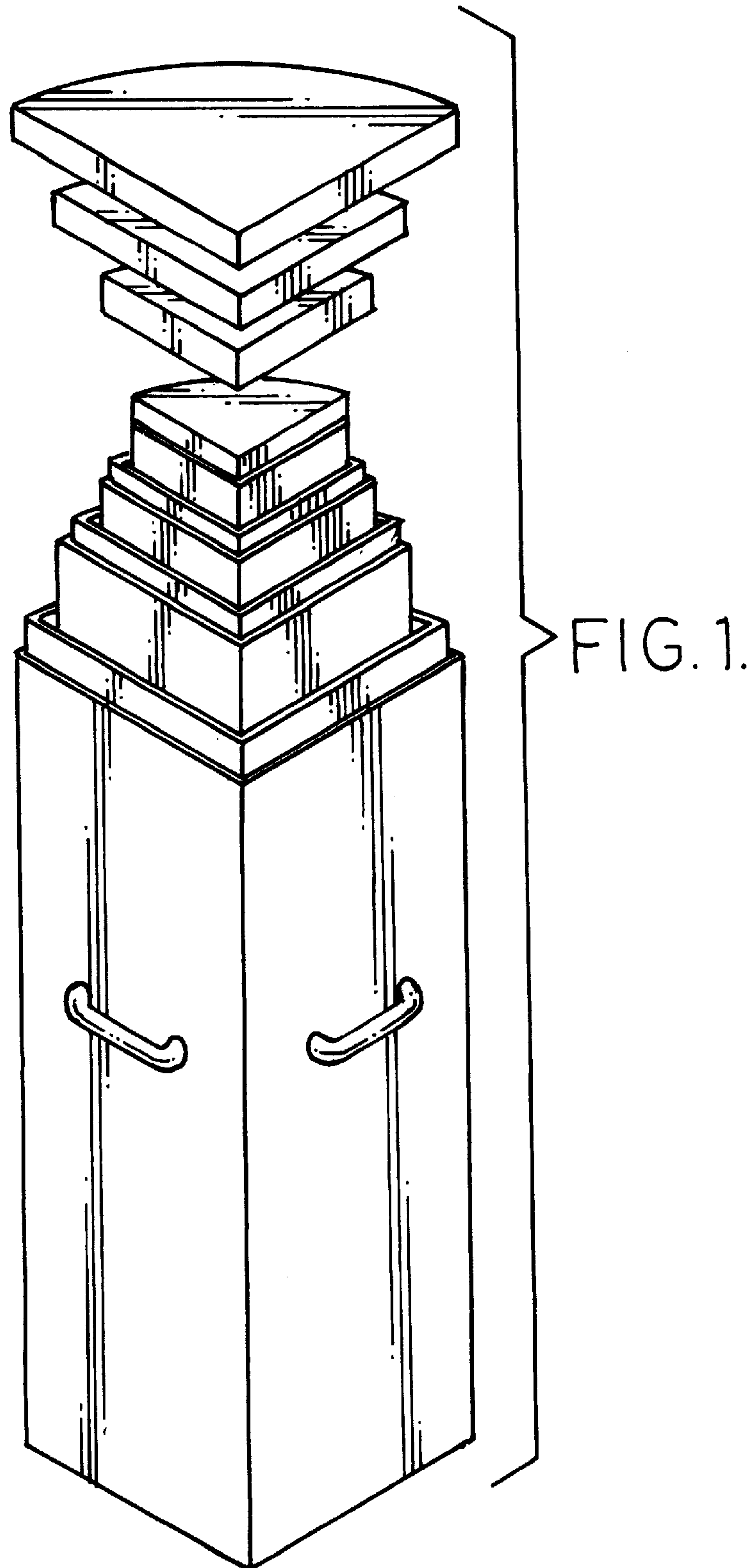


FIG. 2.

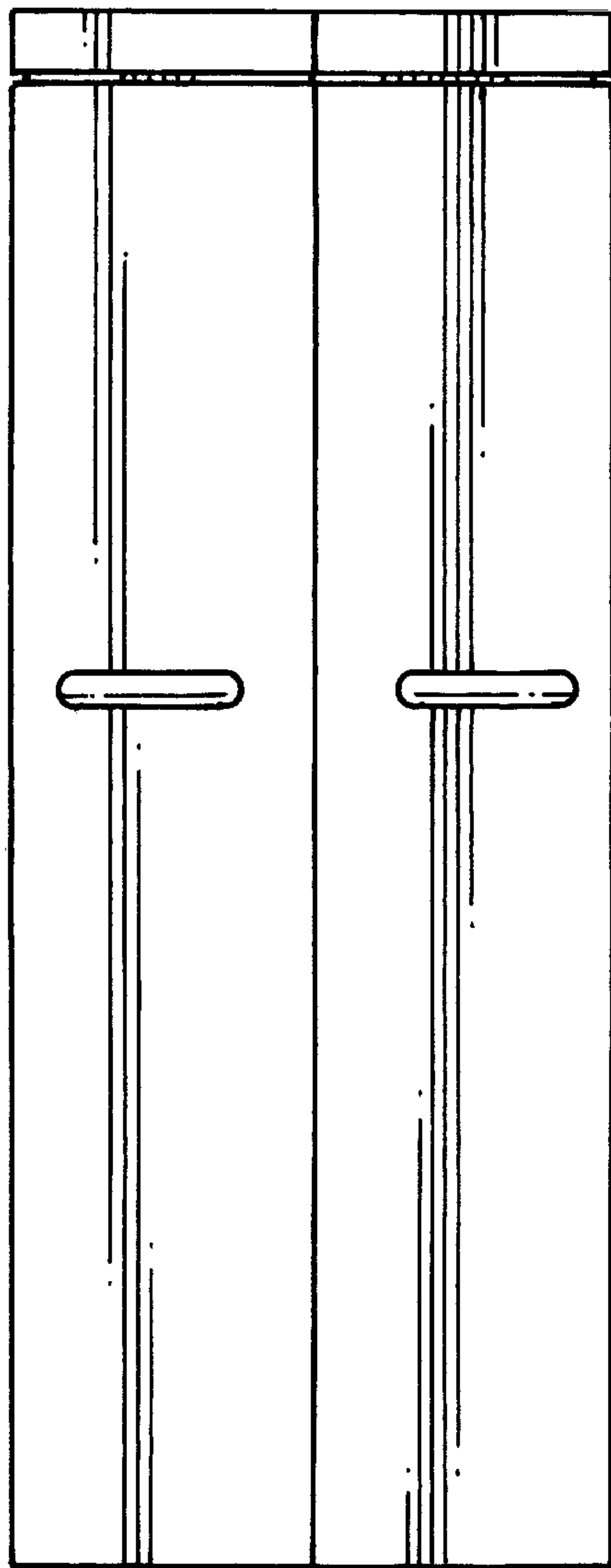


FIG. 4.

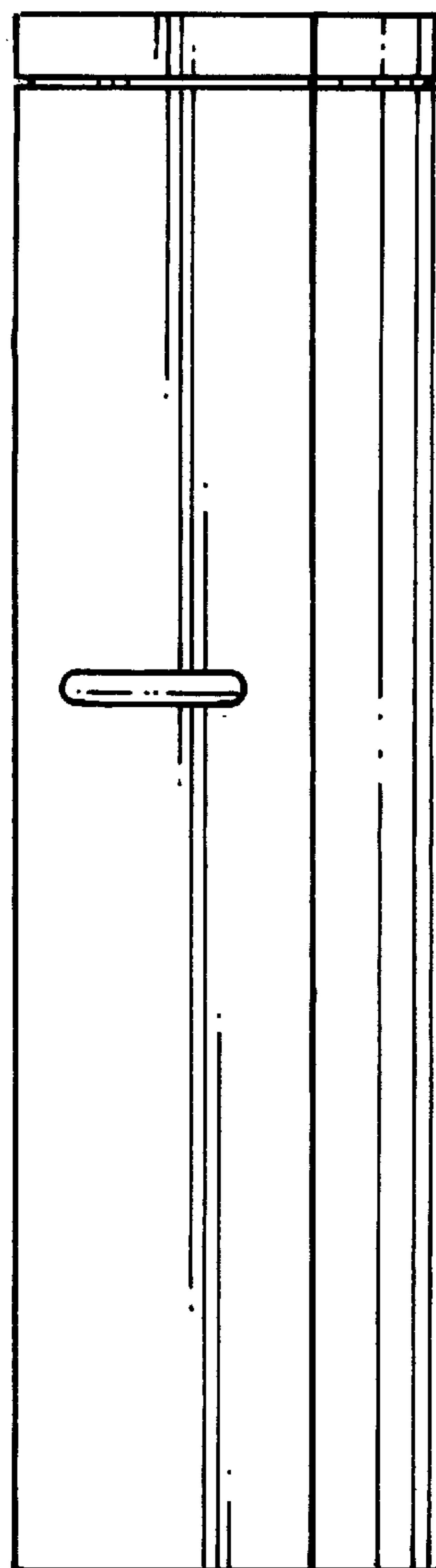


FIG. 3.

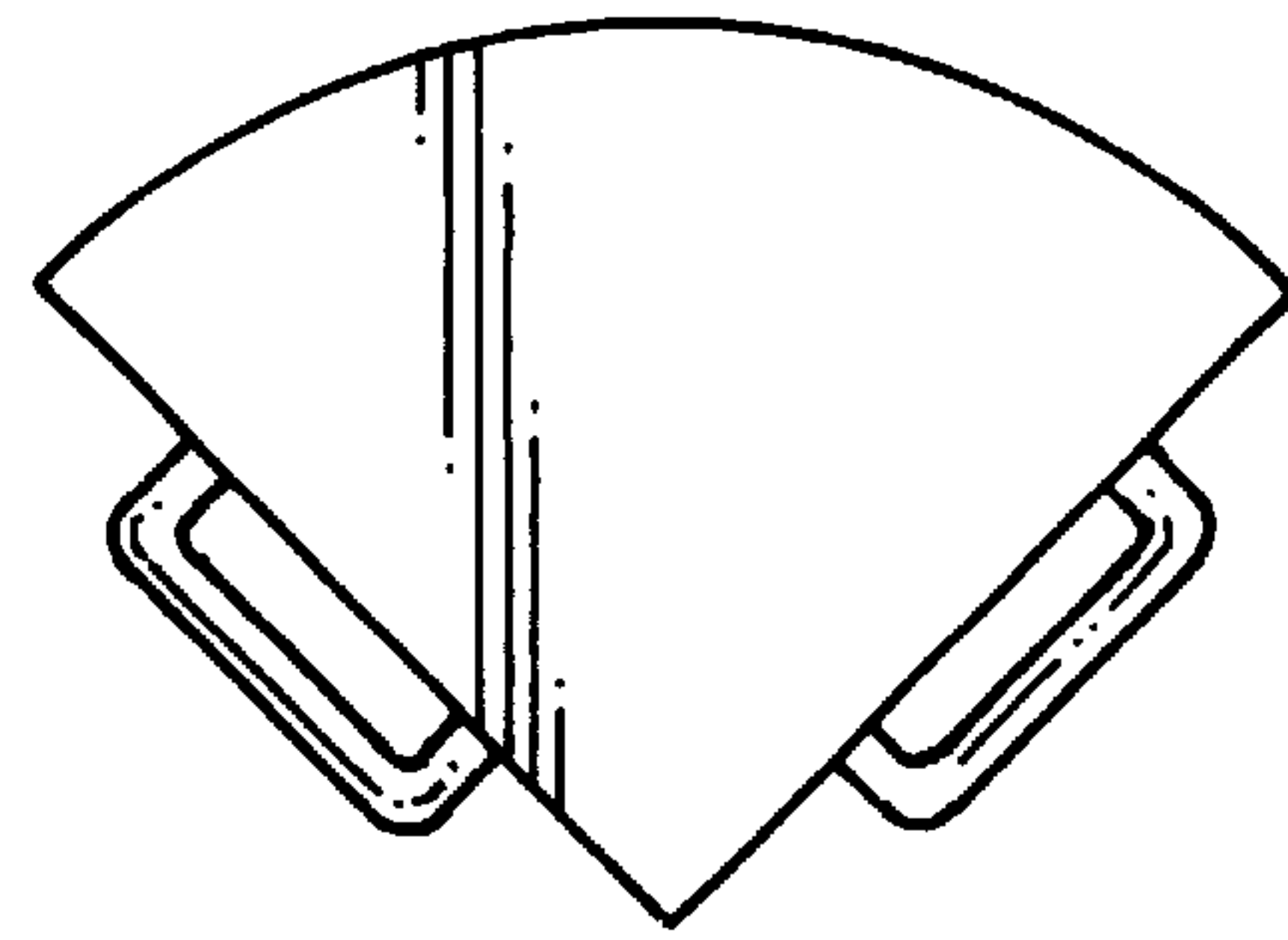
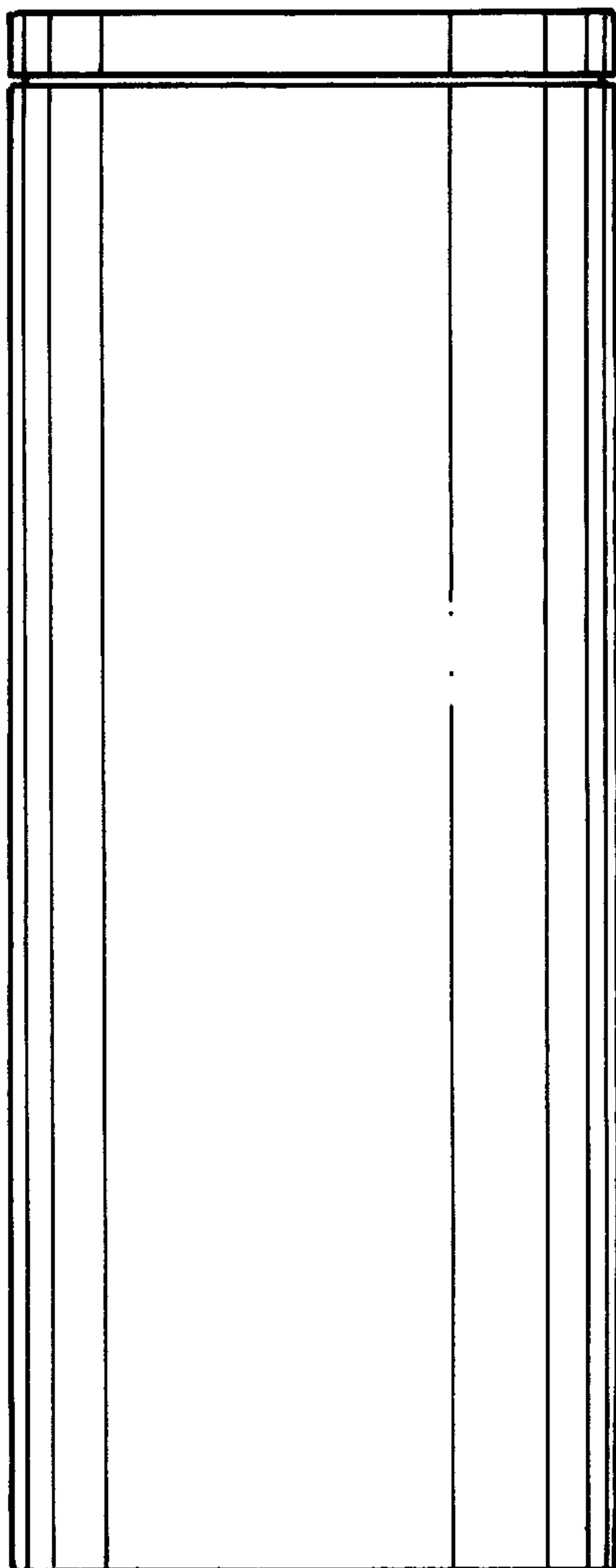


FIG. 5.