

US00D541669S

(12) **United States Design Patent**  
**Pokusa et al.**

(10) **Patent No.:** **US D541,669 S**

(45) **Date of Patent:** **\*\* May 1, 2007**

(54) **FLEXIBLE PACKAGE**

(75) Inventors: **Kenneth C. Pokusa**, Indian Head Park, IL (US); **Panagiotis Kinigakis**, Roscoe, IL (US)

(73) Assignee: **Kraft Foods Holdings, Inc.**, Northfield, IL (US)

(\*\*) Term: **14 Years**

(21) Appl. No.: **29/242,119**

(22) Filed: **Nov. 7, 2005**

(51) **LOC (8) Cl.** ..... **11-02**

(52) **U.S. Cl.** ..... **D9/709**

(58) **Field of Classification Search** ..... D9/709,  
D9/702, 705; D3/245, 303, 232; 206/260;  
383/61.2, 203

See application file for complete search history.

(56) **References Cited**

**U.S. PATENT DOCUMENTS**

2,991,001	A	7/1961	Hughes	
3,154,239	A	10/1964	Madsen	
3,339,825	A	* 9/1967	Grevich	383/9
4,186,786	A	* 2/1980	Kirkpatrick	383/63

(Continued)

**FOREIGN PATENT DOCUMENTS**

JP	5-221454	A	8/1993
JP	2003-95285	A	4/2003

**OTHER PUBLICATIONS**

*Patent Abstracts of Japan*, Publication No. 05-221454, Aug. 31, 1993.

*Patent Abstracts of Japan*, Publication No. 2003-095285, Apr. 3, 2003.

*Primary Examiner*—Stella Reid  
*Assistant Examiner*—Rashida C. McCoy

(74) *Attorney, Agent, or Firm*—Fitch, Even, Tabin & Flannery

(57) **CLAIM**

The ornamental design for a flexible package, as shown and described.

**DESCRIPTION**

FIG. 1 is a perspective view of a flexible package showing my new design;

FIG. 2 is a front elevational view thereof, the rear elevational view being a mirror image;

FIG. 3 is a right side elevational view thereof, the left side elevational view being a mirror image;

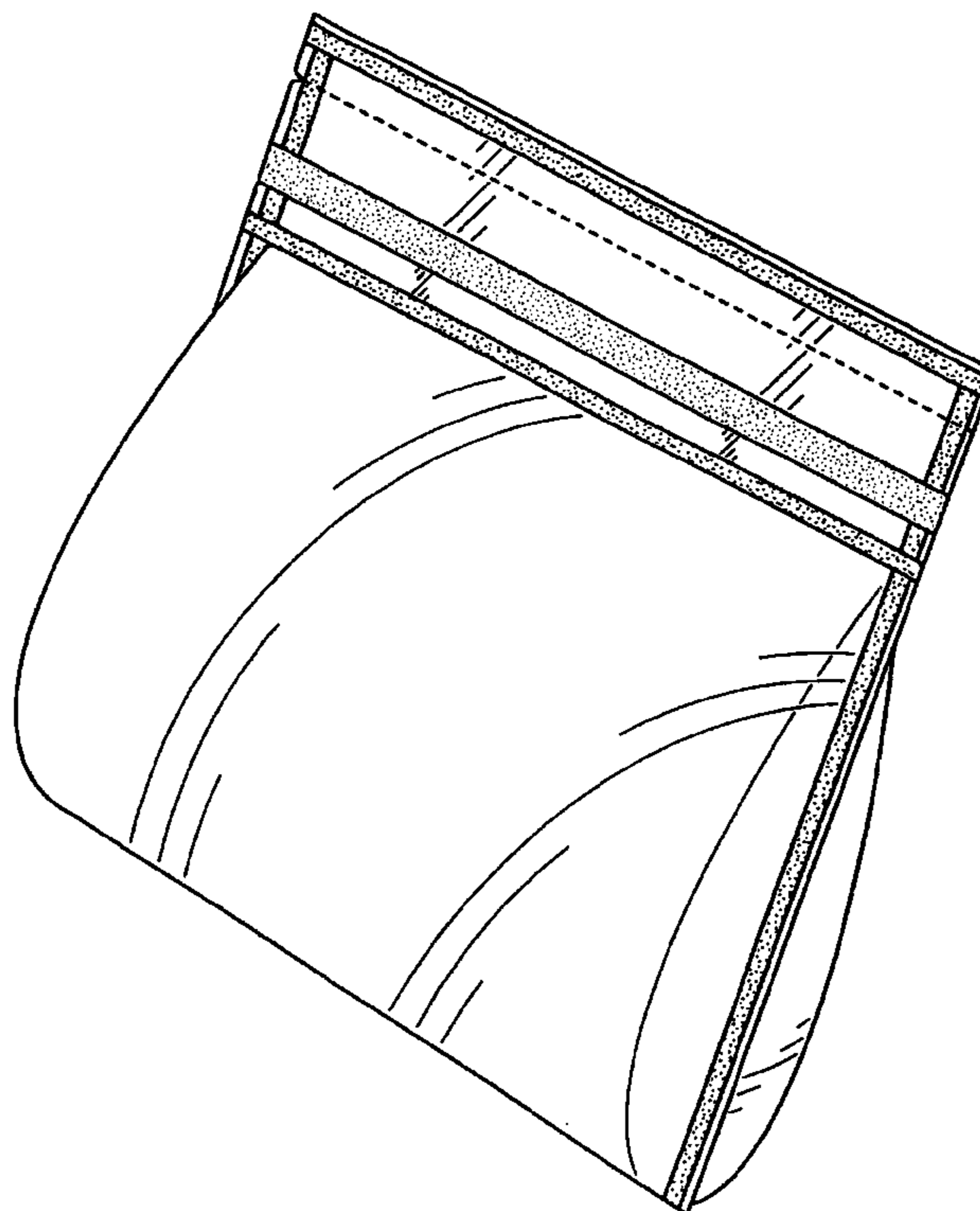
FIG. 4 is a top plan view thereof;

FIG. 5 is a bottom plan view thereof; and,

FIG. 6 is a perspective view of the flexible package of FIG. 1 showing of edible crackers contained therein for illustrative purpose only and forming no part of the claimed design.

In FIGS. 1, 2 and 6, stipling is used to represent sealed portions of the package and not surface texture characteristics, and the broken lines indicate a tearable line of weakness in the package. In all the Figures, conventional transparency shading is used to represent transparent portions.

**1 Claim, 6 Drawing Sheets**



# US D541,669 S

Page 2

---

U.S. PATENT DOCUMENTS			
4,399,249	A	8/1983	Bildusas
4,572,377	A	2/1986	Beckett
4,728,572	A	3/1988	Davis
4,785,940	A	11/1988	Wilson
4,786,190	A	11/1988	Van Erden et al.
4,898,280	A	2/1990	Runge
4,902,142	A	2/1990	Lammert et al.
5,174,659	A	12/1992	Laske
D338,399	S	* 8/1993	Conte, Jr. .... D9/709
D344,407	S	* 2/1994	Derrickson .... D3/303
5,519,982	A	5/1996	Herber et al.
5,725,312	A	3/1998	May
6,012,844	A	1/2000	Huseman et al.
D423,346	S	4/2000	Froehlich et al.
6,196,716	B1	3/2001	Geyer
6,244,748	B1	6/2001	Kasai et al.
6,371,644	B1	4/2002	Forman
6,461,044	B1	10/2002	Anderson
6,461,708	B1	10/2002	Dronzek
D467,170	S	* 12/2002	Kinigakis et al. .... D9/709
D470,757	S	2/2003	Espinel et al.
D471,088	S	* 3/2003	Kinigakis et al. .... D9/709
D484,040	S	* 12/2003	Kinigakis et al. .... D9/709
6,863,646	B2	3/2005	Kinigakis et al.
6,884,207	B2	4/2005	Pokusa
2005/0031233	A1	2/2005	Varanese et al.
2005/0063619	A1	3/2005	Kinigakis et al.

\* cited by examiner

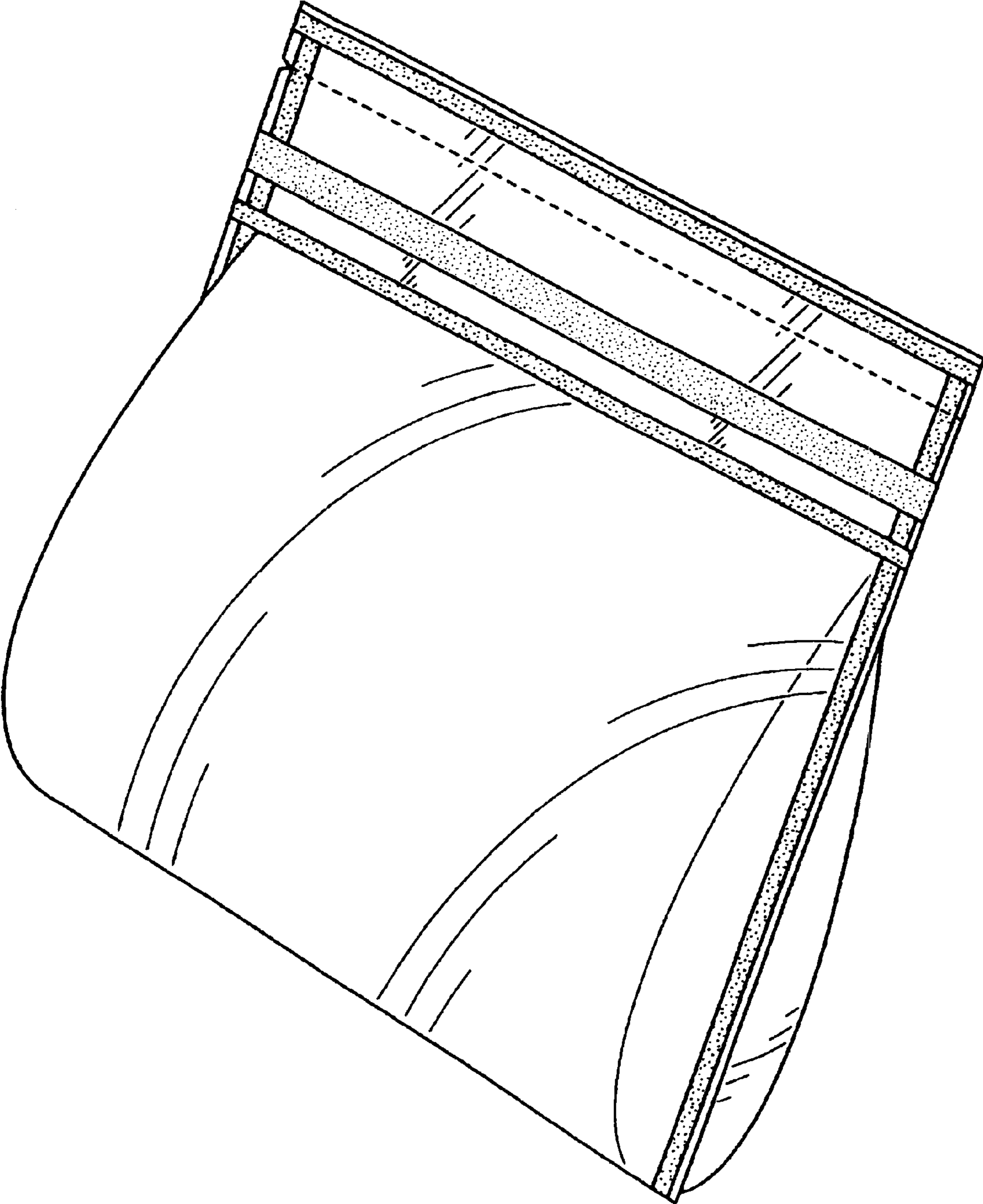


FIG. 1

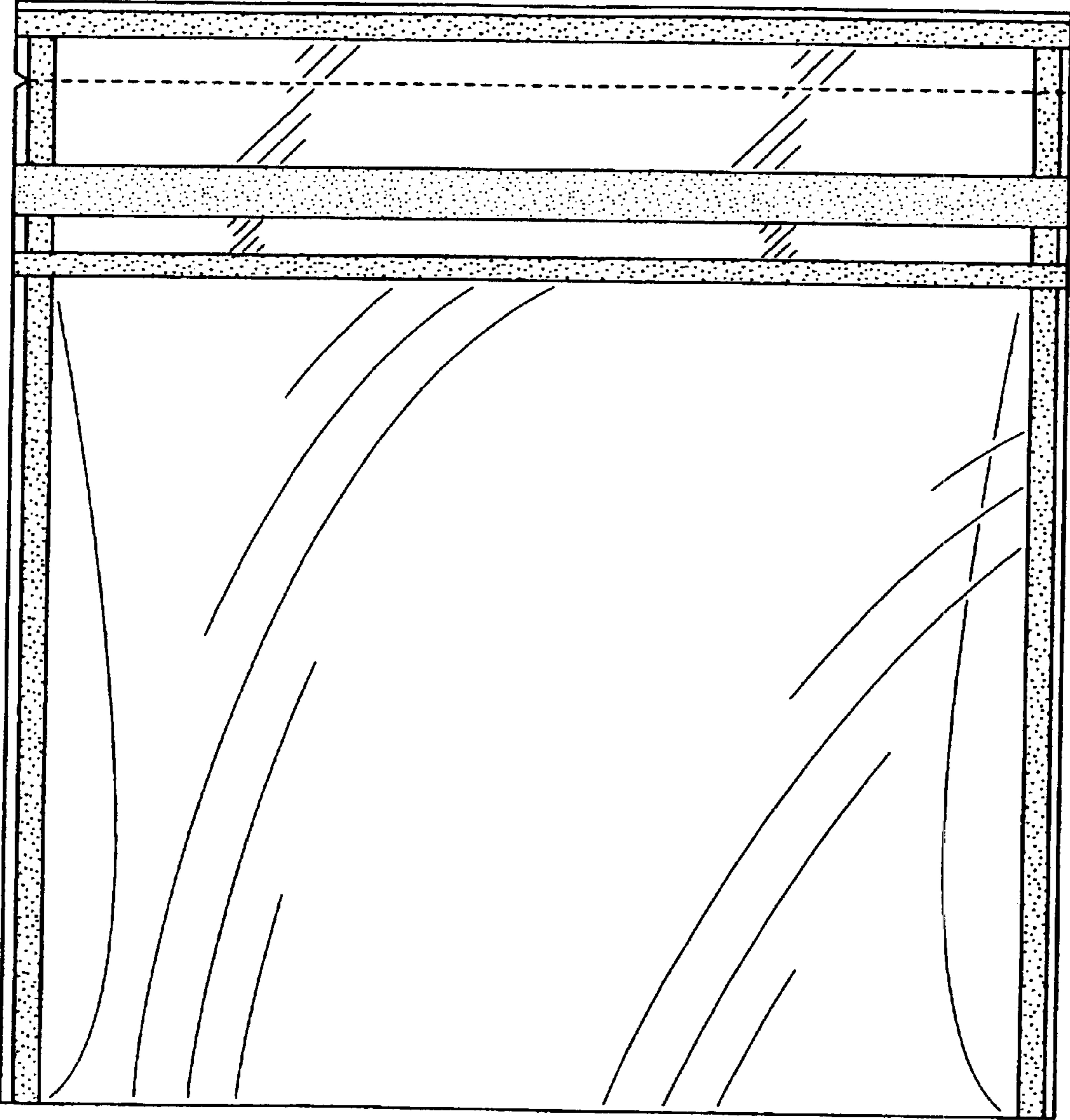


FIG. 2

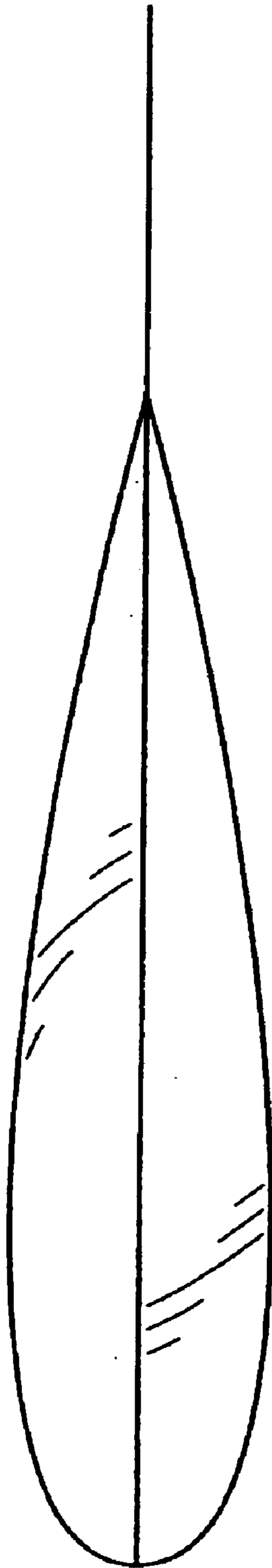


FIG. 3

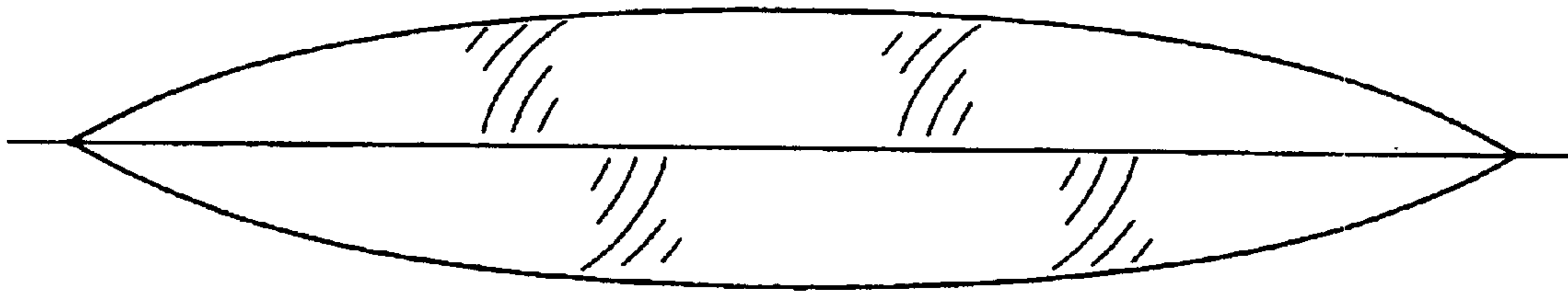


FIG. 4

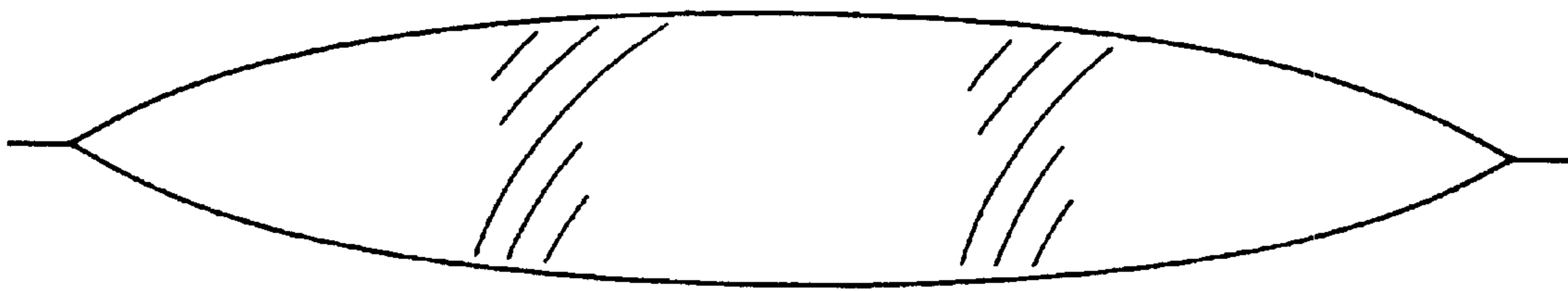


FIG. 5

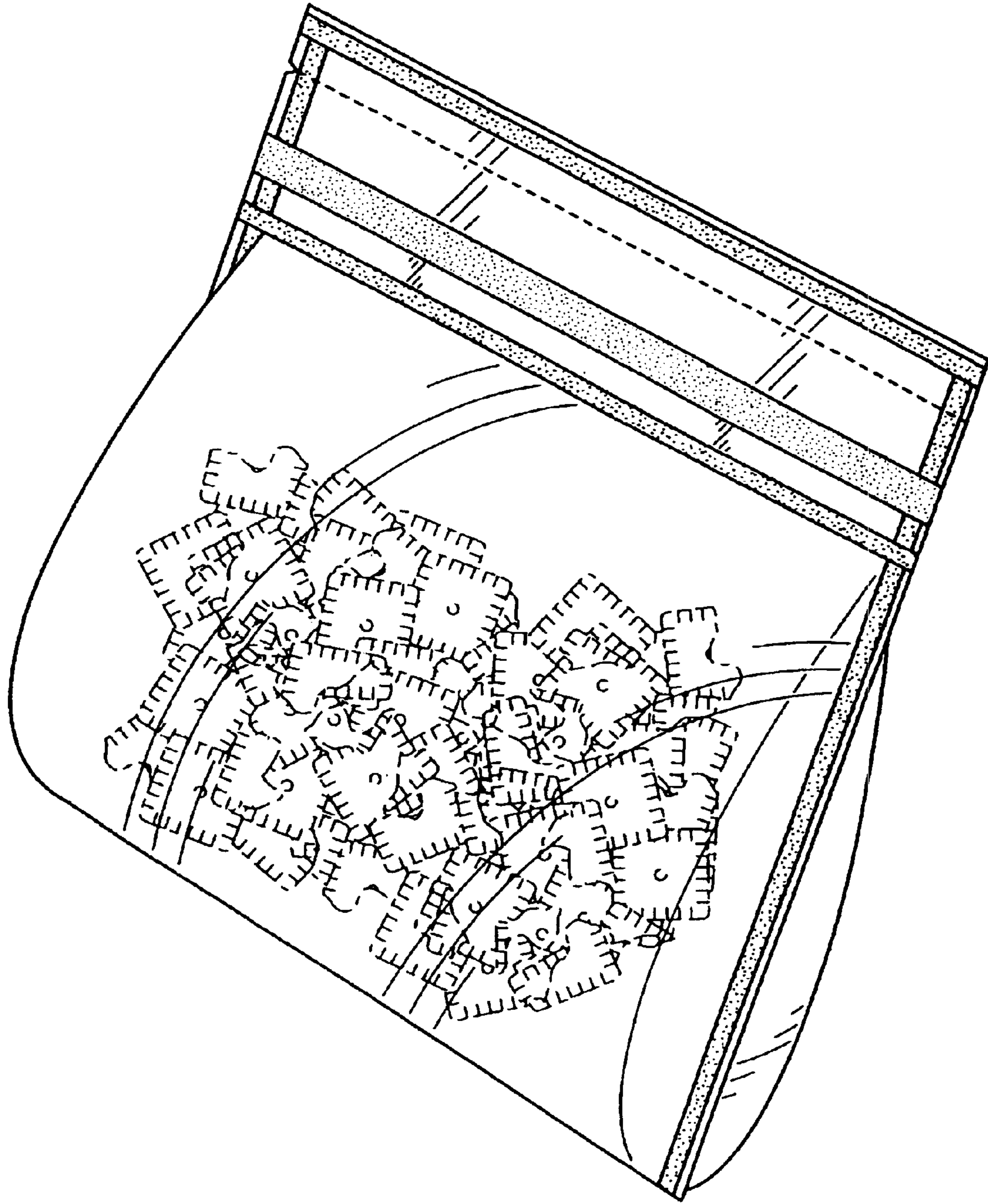


FIG. 6