



US00D541668S

(12) **United States Design Patent** (10) **Patent No.:** **US D541,668 S**
Pokusa et al. (45) **Date of Patent:** **** May 1, 2007**

(54) **FLEXIBLE PACKAGE**

(75) Inventors: **Kenneth C. Pokusa**, Indian Head Park, IL (US); **Panagiotis Kinigakis**, Roscoe, IL (US)

(73) Assignee: **Kraft Foods Holdings, Inc.**, Northfield, IL (US)

(**) Term: **14 Years**

(21) Appl. No.: **29/242,118**

(22) Filed: **Nov. 7, 2005**

(51) **LOC (8) Cl.** **11-02**

(52) **U.S. Cl.** **D9/709**

(58) **Field of Classification Search** D9/709, D9/702, 705, 707, 232; D3/245, 303; 206/260; 383/61.2, 203

See application file for complete search history.

D470,757 S 2/2003 Espinel et al.
D471,088 S * 3/2003 Kinigakis et al. D9/709
D484,040 S * 12/2003 Kinigakis et al. D9/709
6,863,646 B2 3/2005 Kinigakis et al.
6,884,207 B2 4/2005 Pokusa
2005/0031233 A1 2/2005 Varanese et al.
2005/0063619 A1 3/2005 Kinigakis et al.

FOREIGN PATENT DOCUMENTS

JP 5-221454 A 8/1993
JP 2003-95285 A 4/2003

OTHER PUBLICATIONS

Patent Abstracts of Japan, Publication No. 05-221454, Aug. 31, 1993.
Patent Abstracts of Japan, Publication No. 2003-095285, Apr. 3, 2003.

* cited by examiner

Primary Examiner—Stella Reid
Assistant Examiner—Rashida C. McCoy
(74) *Attorney, Agent, or Firm*—Fitch, Even, Tabin & Flannery

(56) **References Cited**

U.S. PATENT DOCUMENTS

2,991,001 A 7/1961 Hughes
3,154,239 A 10/1964 Madsen
3,339,825 A * 9/1967 Grevich 383/9
4,186,786 A * 2/1980 Kirkpatrick 383/63
4,399,249 A 8/1983 Bildusas
4,572,377 A 2/1986 Beckett
4,728,572 A 3/1988 Davis
4,785,940 A 11/1988 Wilson
4,786,190 A 11/1988 Van Erden et al.
4,898,280 A 2/1990 Runge
4,902,142 A 2/1990 Lammert et al.
5,174,659 A 12/1992 Laske
D338,399 S * 8/1993 Conte, Jr. D9/709
D344,407 S * 2/1994 Derrickson D3/303
5,519,982 A 5/1996 Herber et al.
5,725,312 A 3/1998 May
6,012,844 A 1/2000 Huseman et al.
D423,346 S 4/2000 Froehlich et al.
6,196,716 B1 3/2001 Geyer
6,244,748 B1 6/2001 Kasai et al.
6,371,644 B1 4/2002 Forman
6,461,044 B1 10/2002 Anderson
6,461,708 B1 10/2002 Dronzek
D467,170 S * 12/2002 Kinigakis et al. D9/709

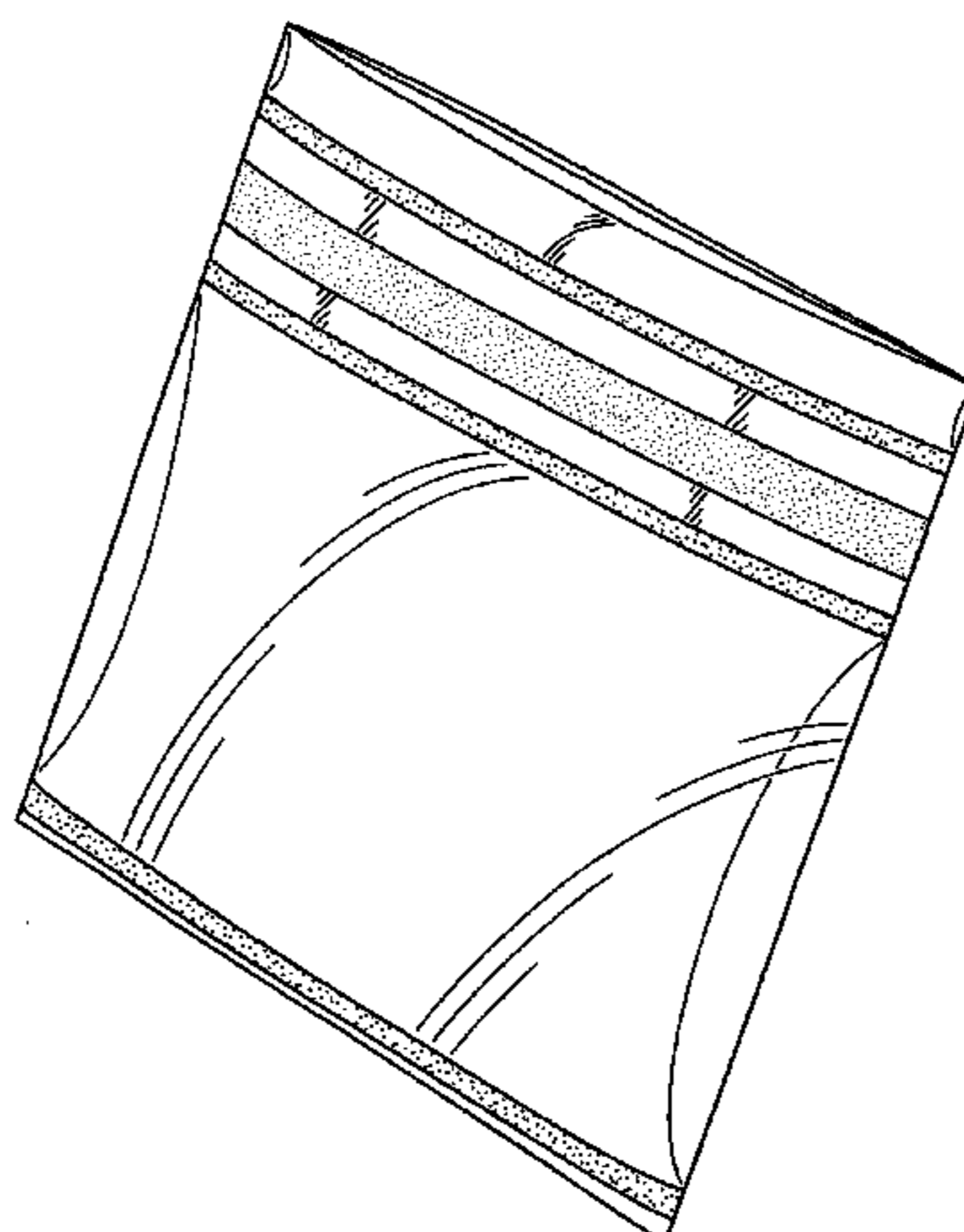
(57) **CLAIM**

The ornamental design for a flexible package, as shown and described.

DESCRIPTION

FIG. 1 is a perspective view of a flexible package showing my new design;
FIG. 2 is a front elevational view thereof;
FIG. 3 is a rear elevational view thereof;
FIG. 4 is a right side elevational view thereof, the left side elevational view being a mirror image;
FIG. 5 is a top plan view thereof, the bottom plan view being a mirror image; and,
FIG. 6 is a perspective view of the flexible package of FIG. 1 showing of edible crackers contained therein for illustrative purpose only and forming no part of the claimed design. In FIGS. 1, 2, 3, 5 and 6, stipling is used to represent sealed portions of the package and not surface texture characteristics. In all the Figures, conventional transparency shading is used to represent transparent portions.

1 Claim, 6 Drawing Sheets



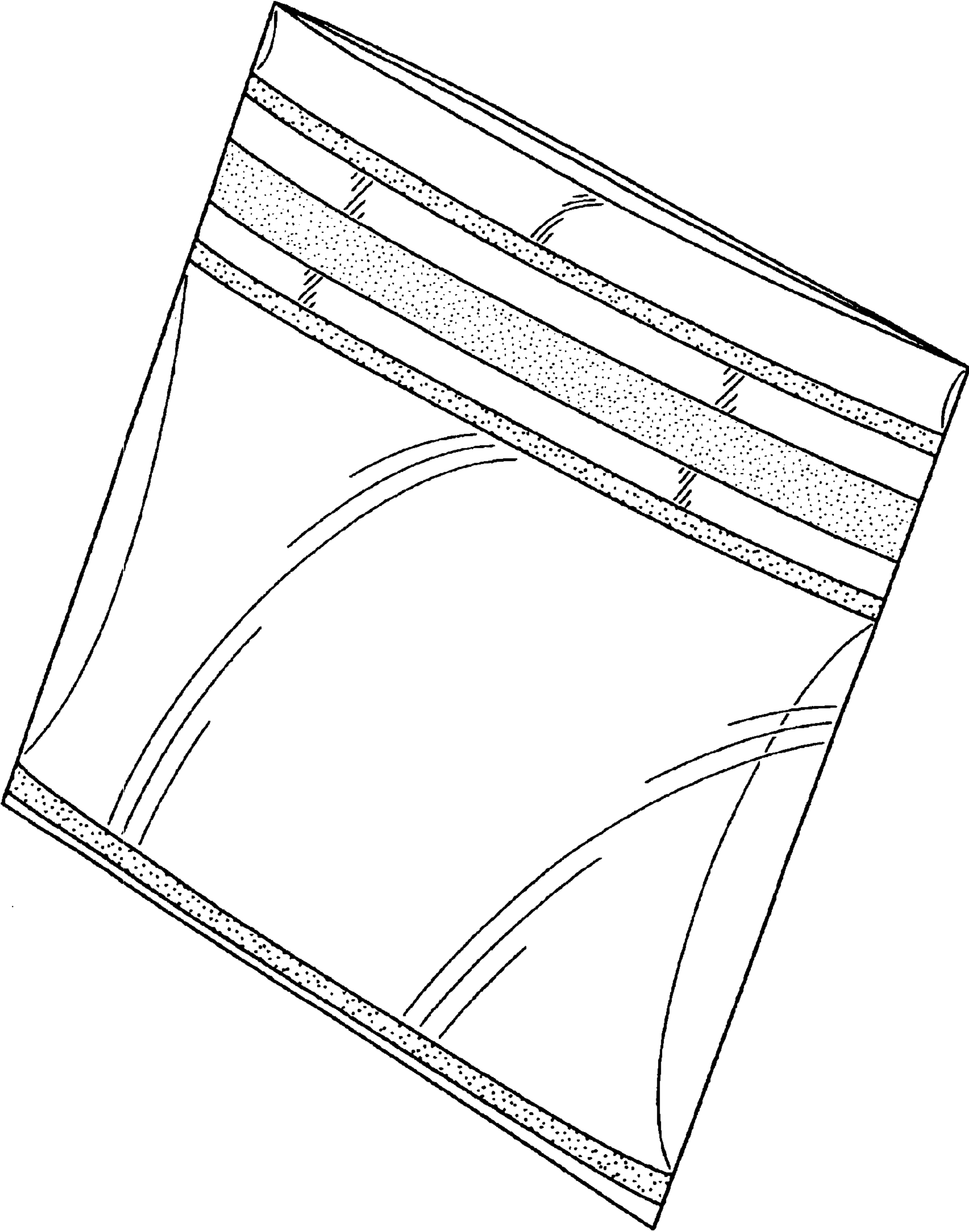


FIG. 1

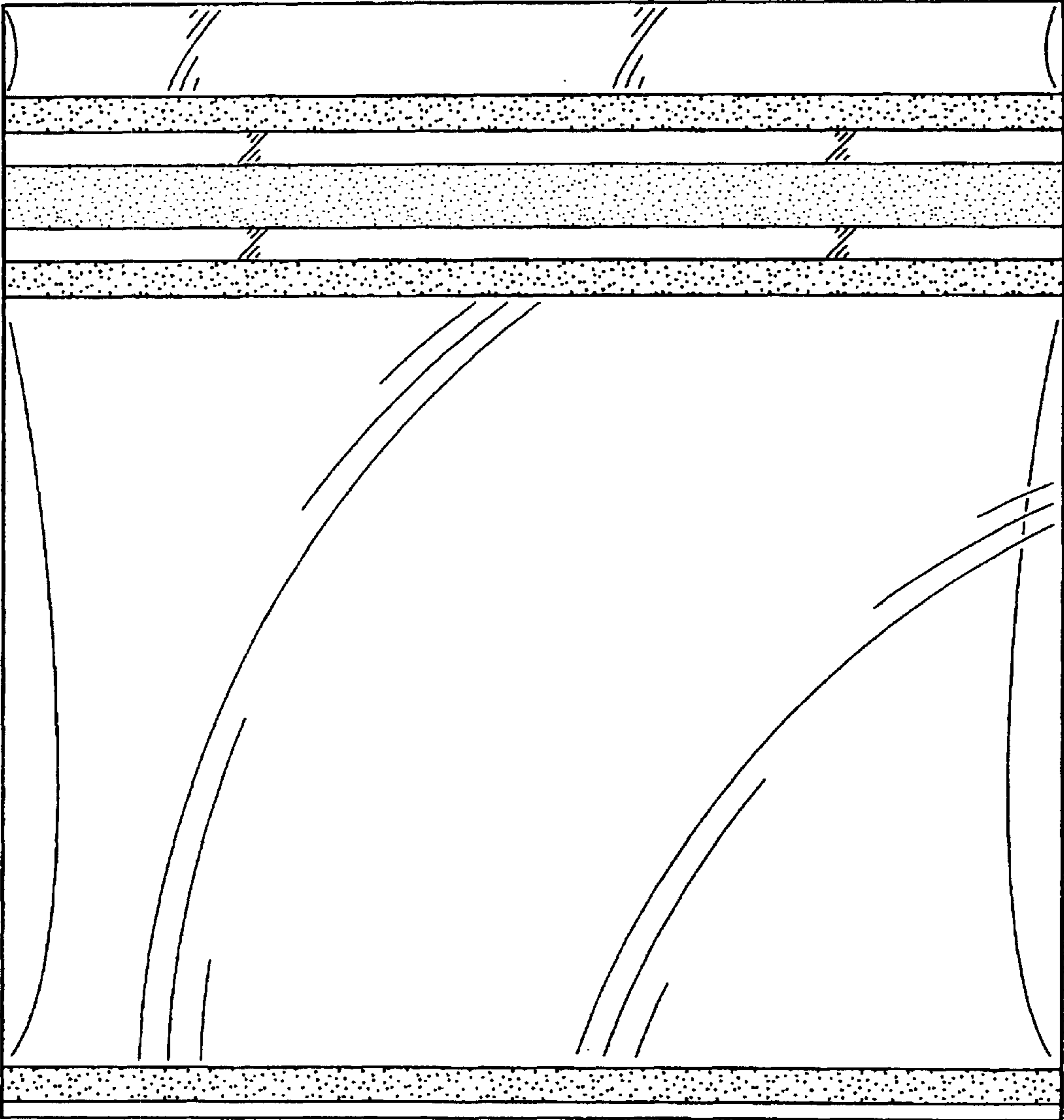


FIG. 2

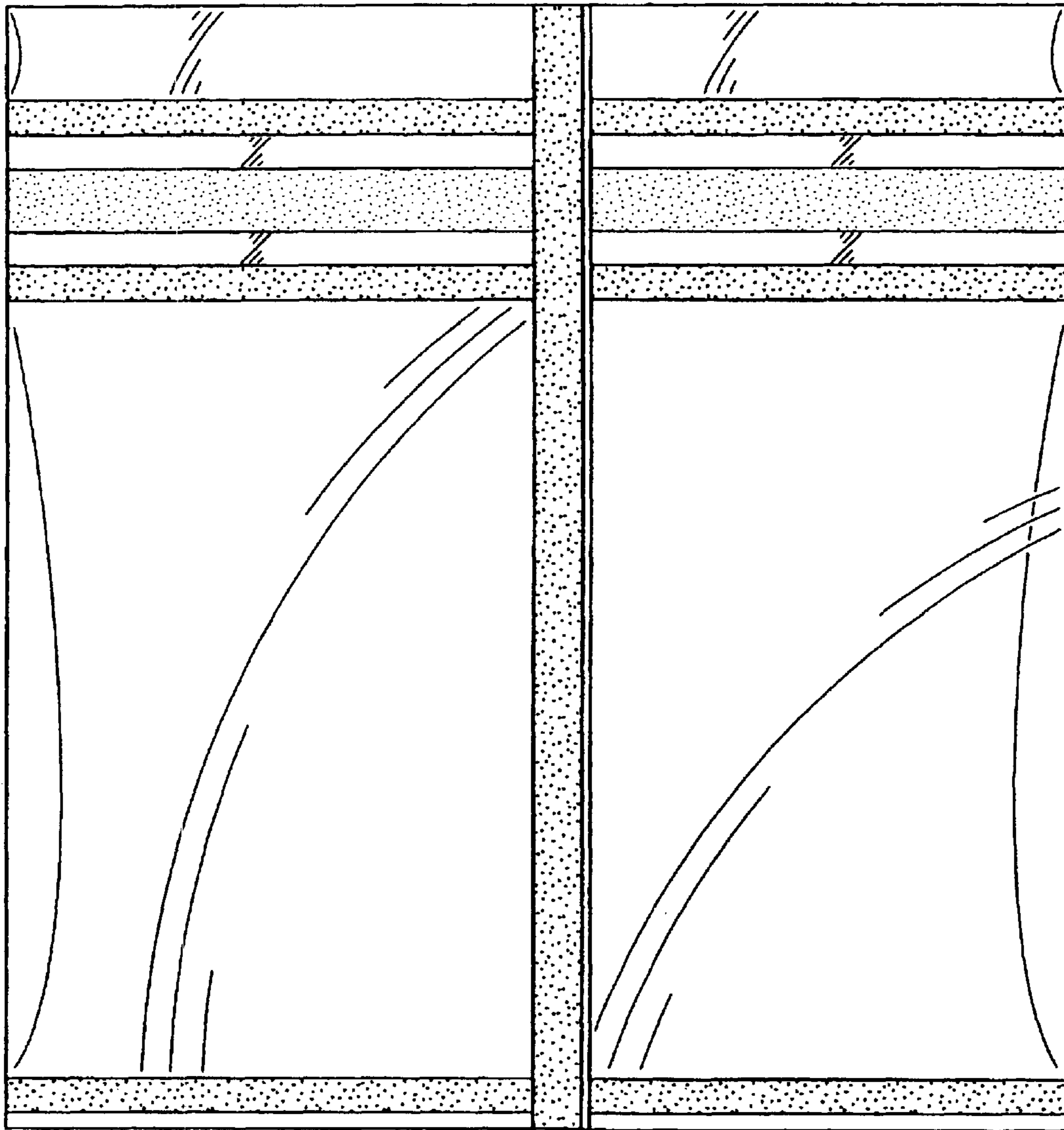


FIG. 3

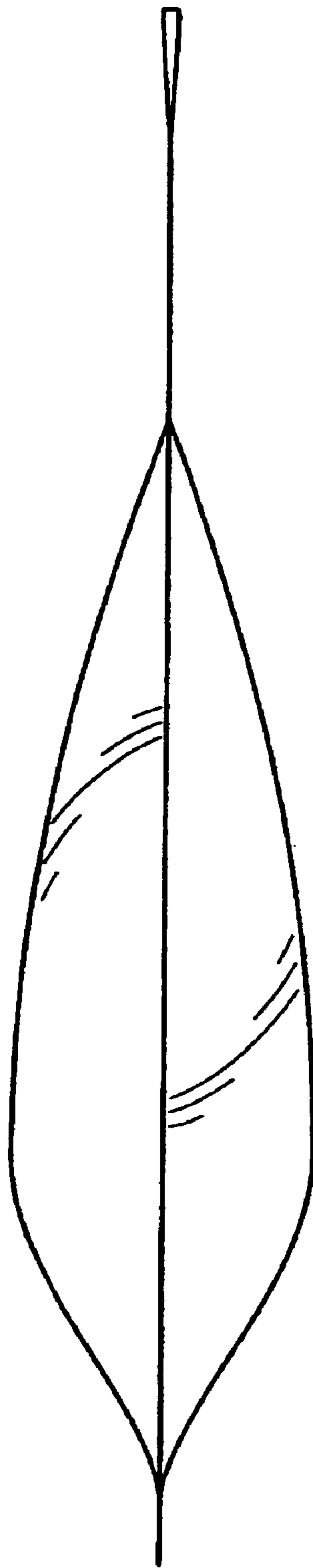


FIG. 4

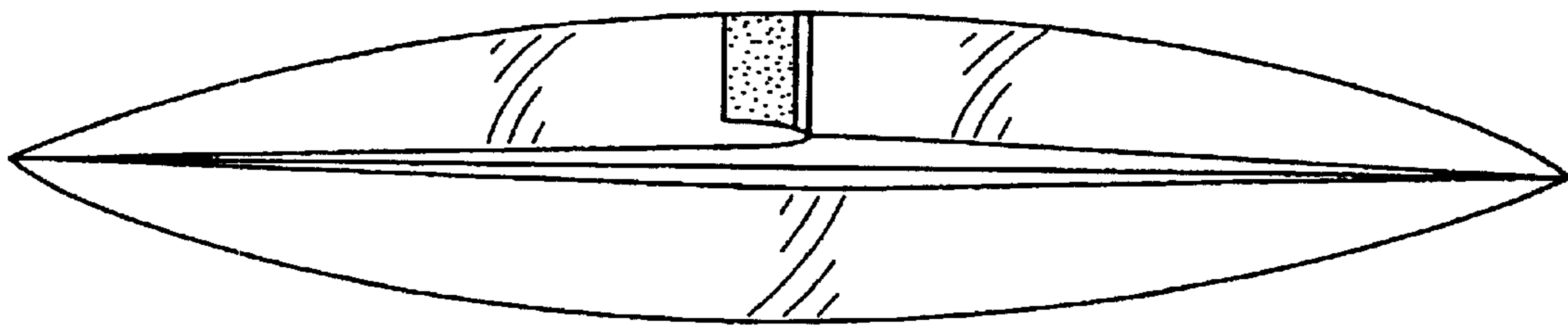


FIG. 5

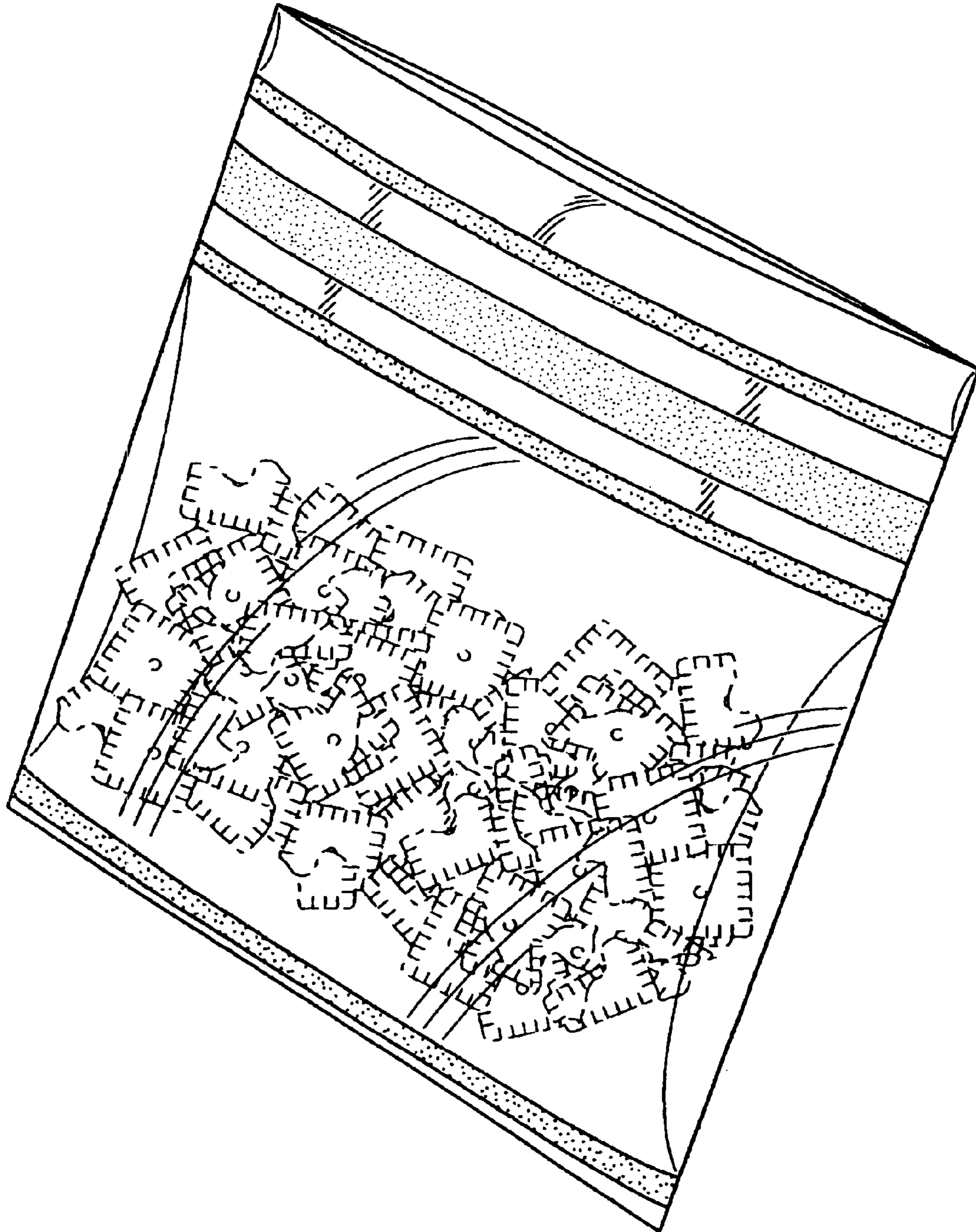


FIG. 6