

US00D541662S

(12) **United States Design Patent**
Little et al.

(10) **Patent No.:** **US D541,662 S**
(45) **Date of Patent:** **** May 1, 2007**

(54) **PLASTIC CONTAINER**
(75) Inventors: **J. Steven Little**, Wadsworth, OH (US);
Christopher E. Kaminski, North
Royalton, OH (US)
(73) Assignee: **Plastipak Packaging, Inc.**, Plymouth,
MI (US)
(**) Term: **14 Years**

D482,975 S * 12/2003 Nottingham et al. D9/532
D483,269 S * 12/2003 Walsh et al. D9/522
D491,467 S * 6/2004 Walsh et al. D9/522
D500,679 S * 1/2005 Walsh et al. D9/522
D500,953 S * 1/2005 Nottingham et al. D9/528
D504,823 S * 5/2005 Nottingham et al. D9/528
D506,393 S * 6/2005 Nottingham et al. D9/528
D511,100 S * 11/2005 Nottingham et al. D9/528
D511,101 S * 11/2005 Nottingham et al. D9/531
2003/0010787 A1 1/2003 Dalton et al.
2004/0137110 A1 7/2004 Dalton et al.

(21) Appl. No.: **29/232,115**
(22) Filed: **Jun. 15, 2005**
(51) **LOC (8) Cl.** **09-01**
(52) **U.S. Cl.** **D9/543; D9/522; D9/559;**
D9/560
(58) **Field of Classification Search** D9/516,
D9/522-523, 528, 530-531, 541, 543, 563-564,
D9/569-570, 575; D7/543, 601-602, 612,
D7/615; 215/379, 382-384; 220/660, 669-670
See application file for complete search history.

* cited by examiner

Primary Examiner—Ian Simmons
Assistant Examiner—Dana Sipos
(74) *Attorney, Agent, or Firm*—Robert H. Bachman

(57) **CLAIM**

The ornamental design for a plastic container, as shown and described.

DESCRIPTION

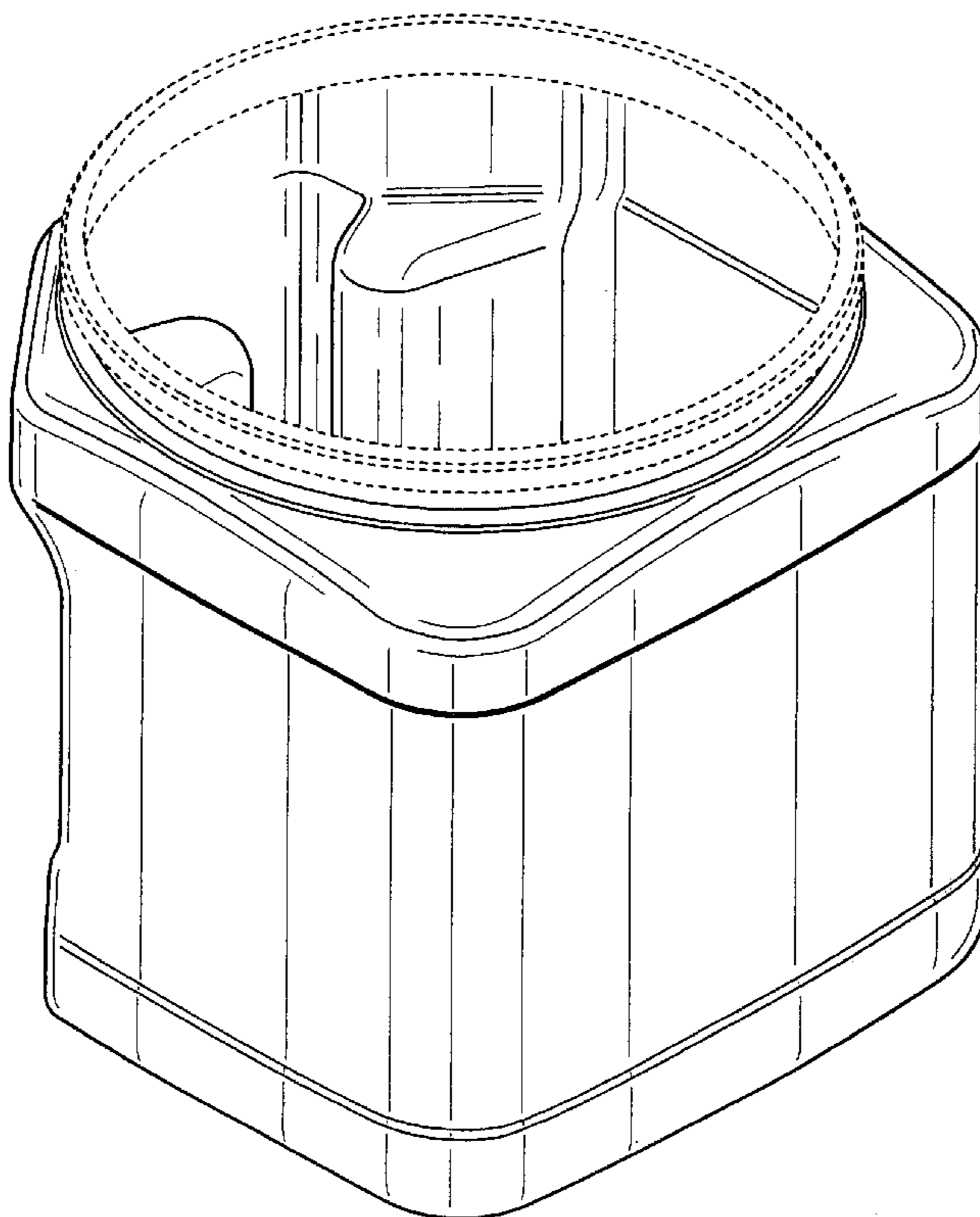
FIG. 1 is a top, rear, right side perspective view of a plastic container showing our new design;
FIG. 2 is a right side elevational view thereof;
FIG. 3 is a left side elevational view thereof;
FIG. 4 is a rear elevational view thereof;
FIG. 5 is a front elevational view thereof; and,
FIG. 6 is a top plan view thereof.
The broken lines shown in the drawings are for illustrative purposes only and form no part of the claimed design.

(56) **References Cited**

U.S. PATENT DOCUMENTS

4,169,540 A 10/1979 Larsson et al.
D462,012 S * 8/2002 Manderfield, Jr. D9/530
D464,879 S 10/2002 Meeker et al.
D465,153 S 11/2002 Meeker et al.
D480,973 S * 10/2003 Nottingham et al. D9/531
D482,973 S * 12/2003 Nottingham et al. D9/531
D482,974 S * 12/2003 Nottingham et al. D9/531

1 Claim, 4 Drawing Sheets



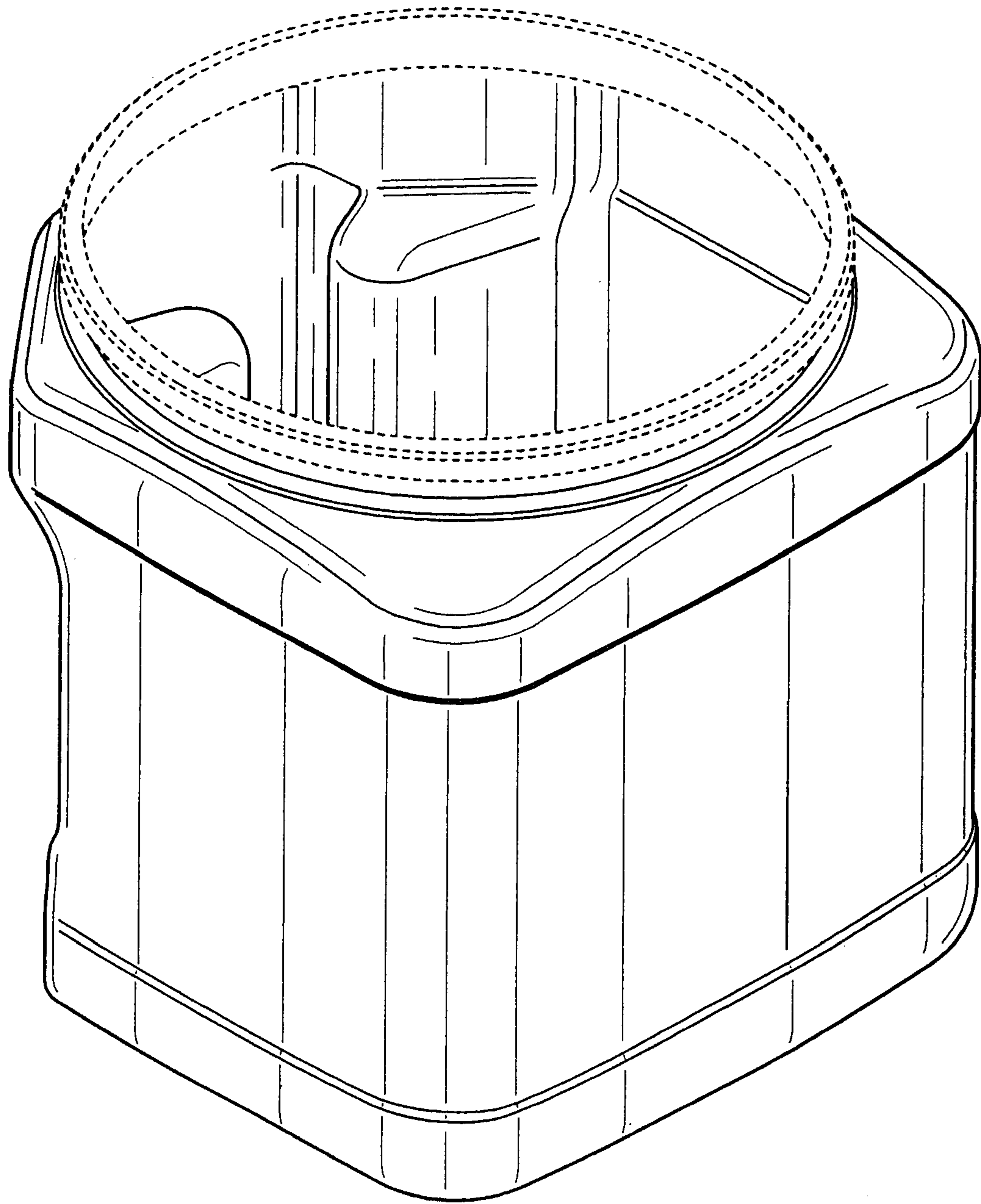


FIG. 1

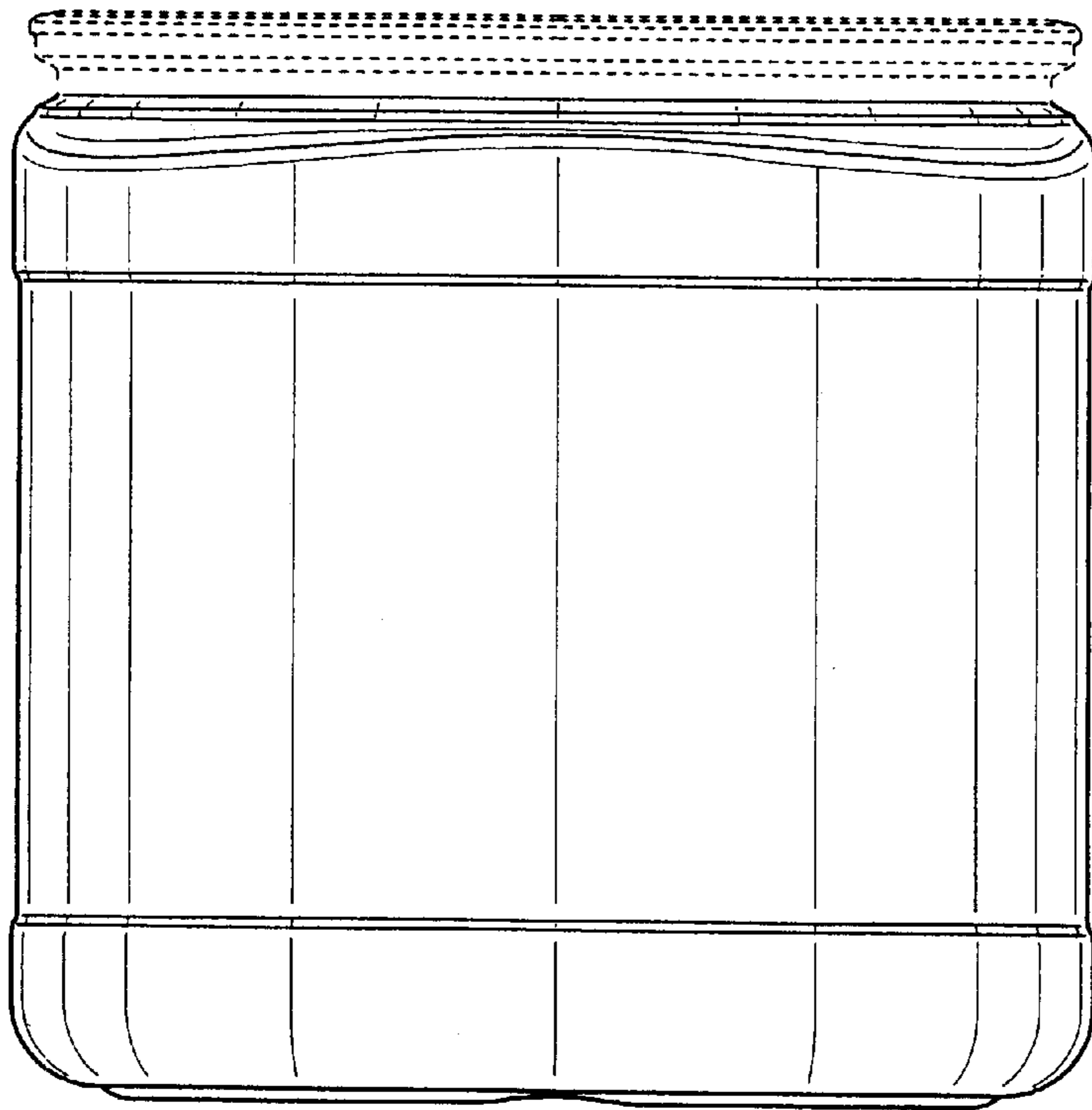


FIG. 2

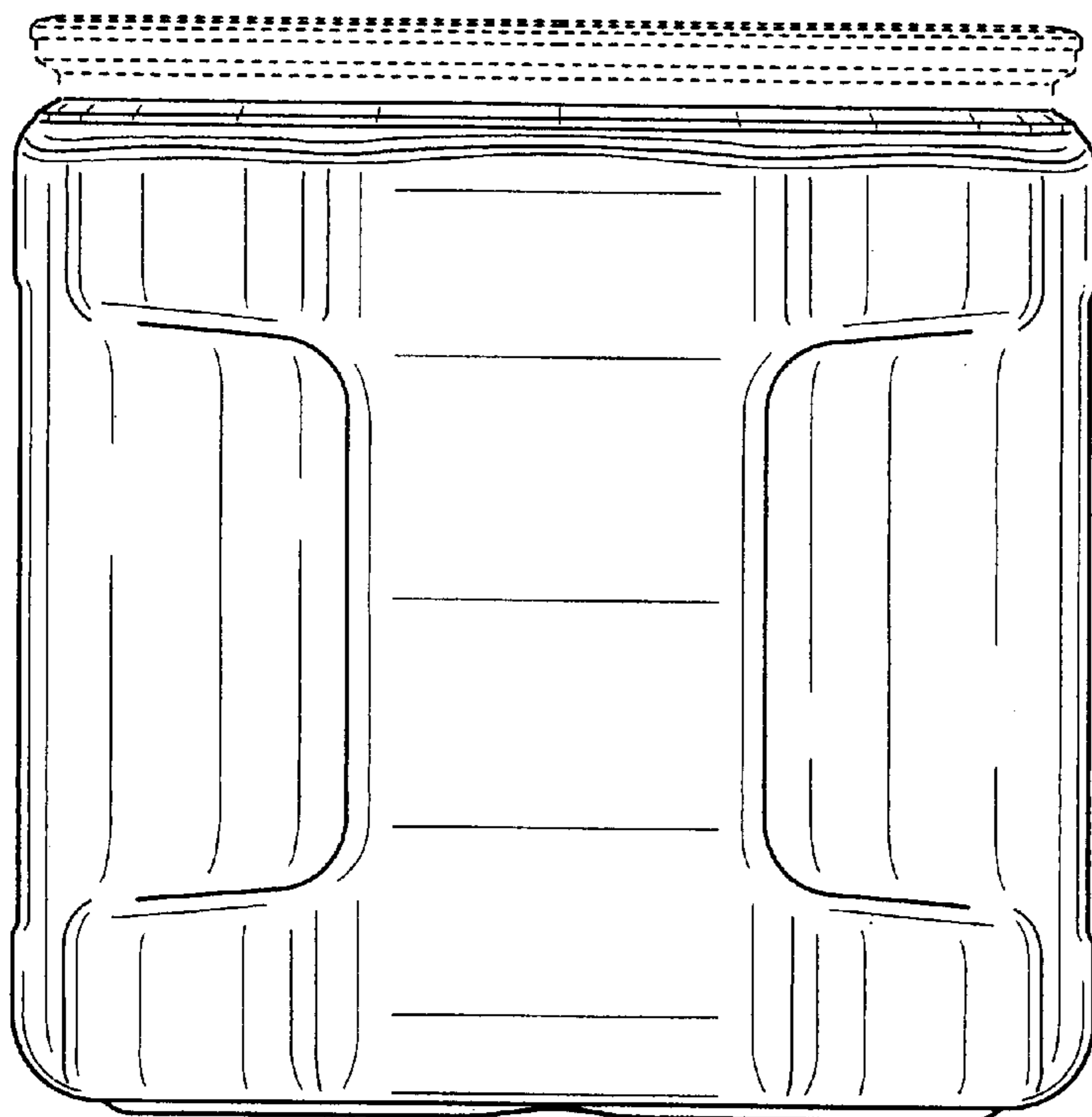


FIG. 3

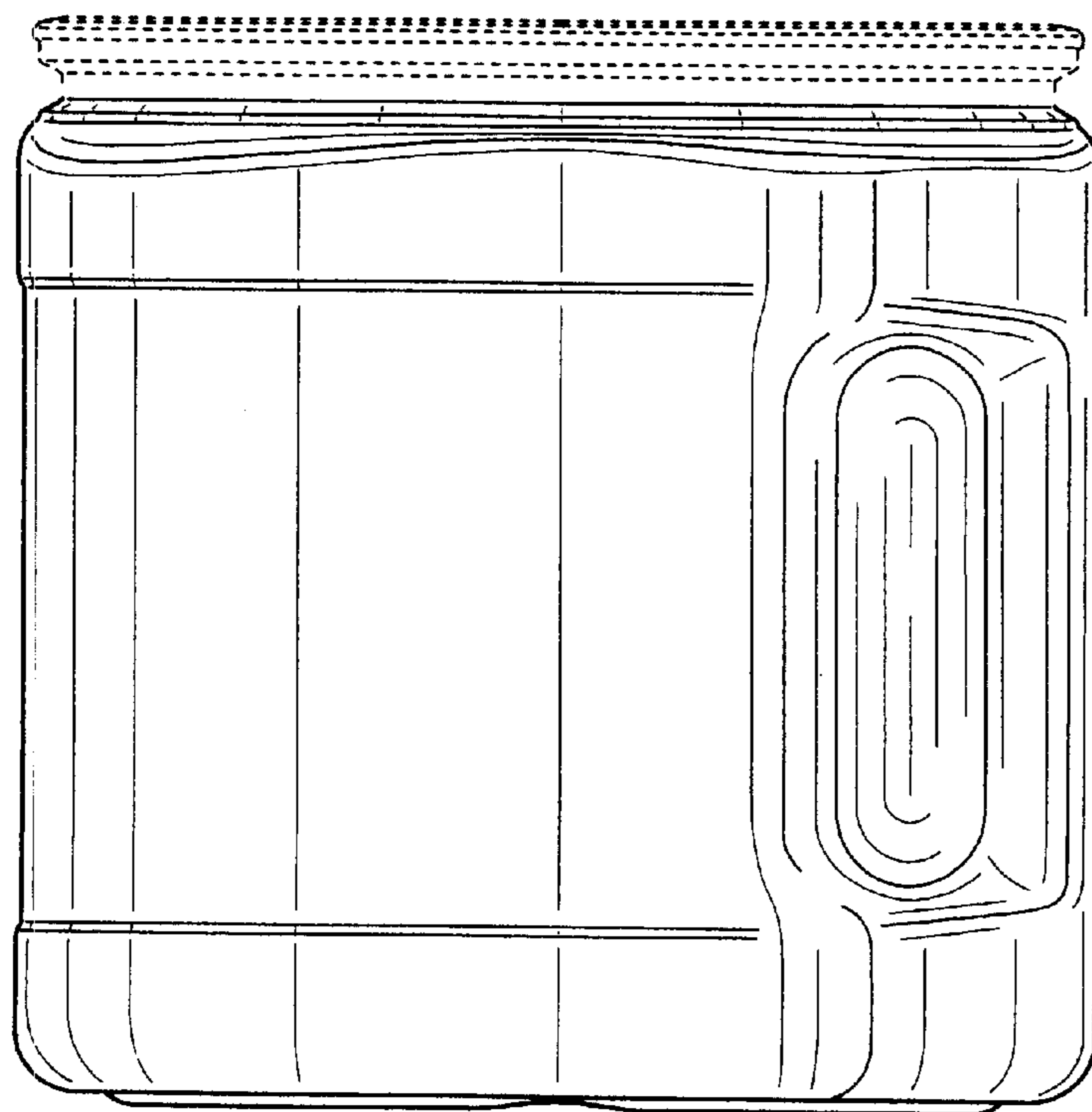


FIG. 4

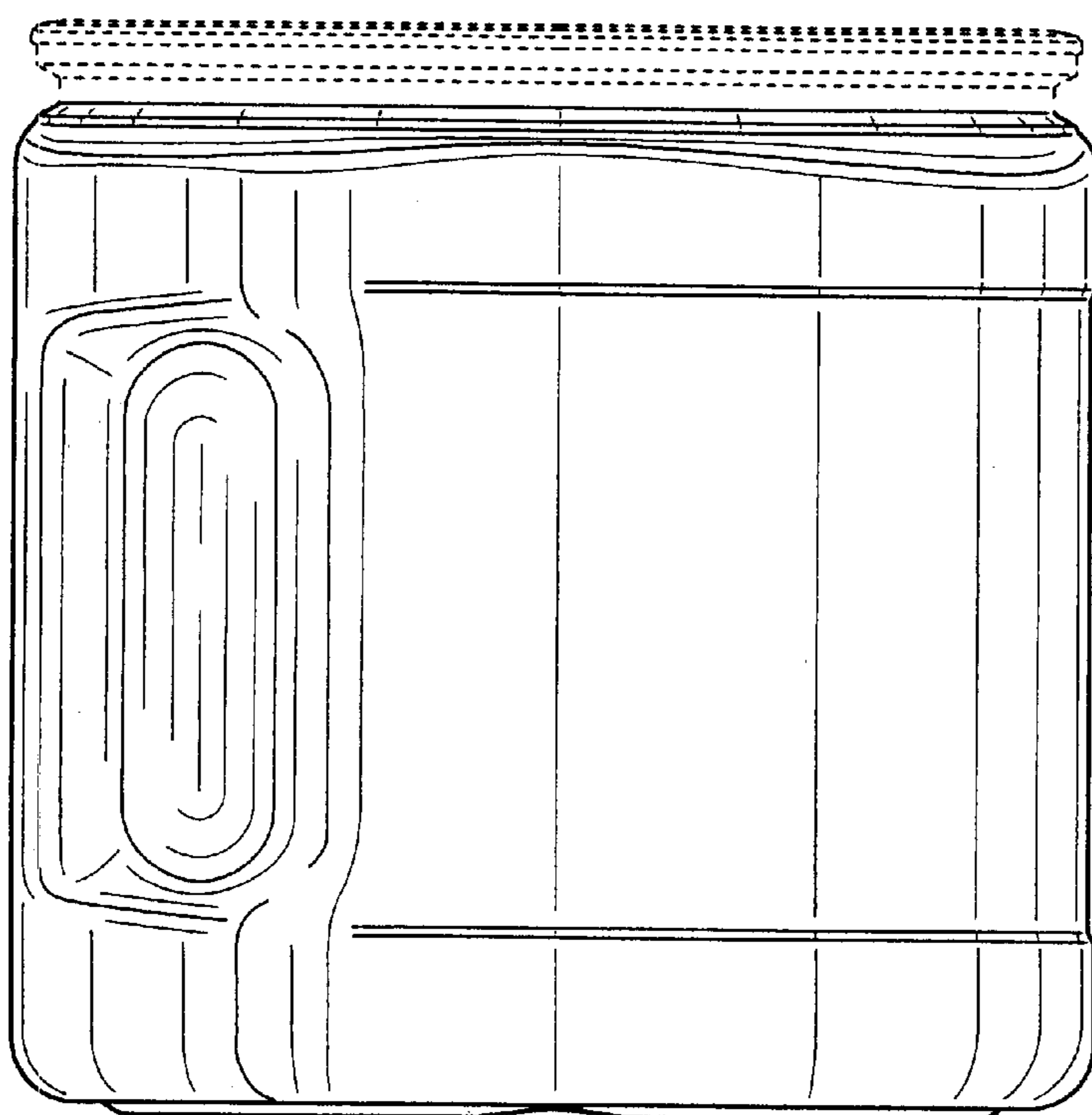


FIG. 5

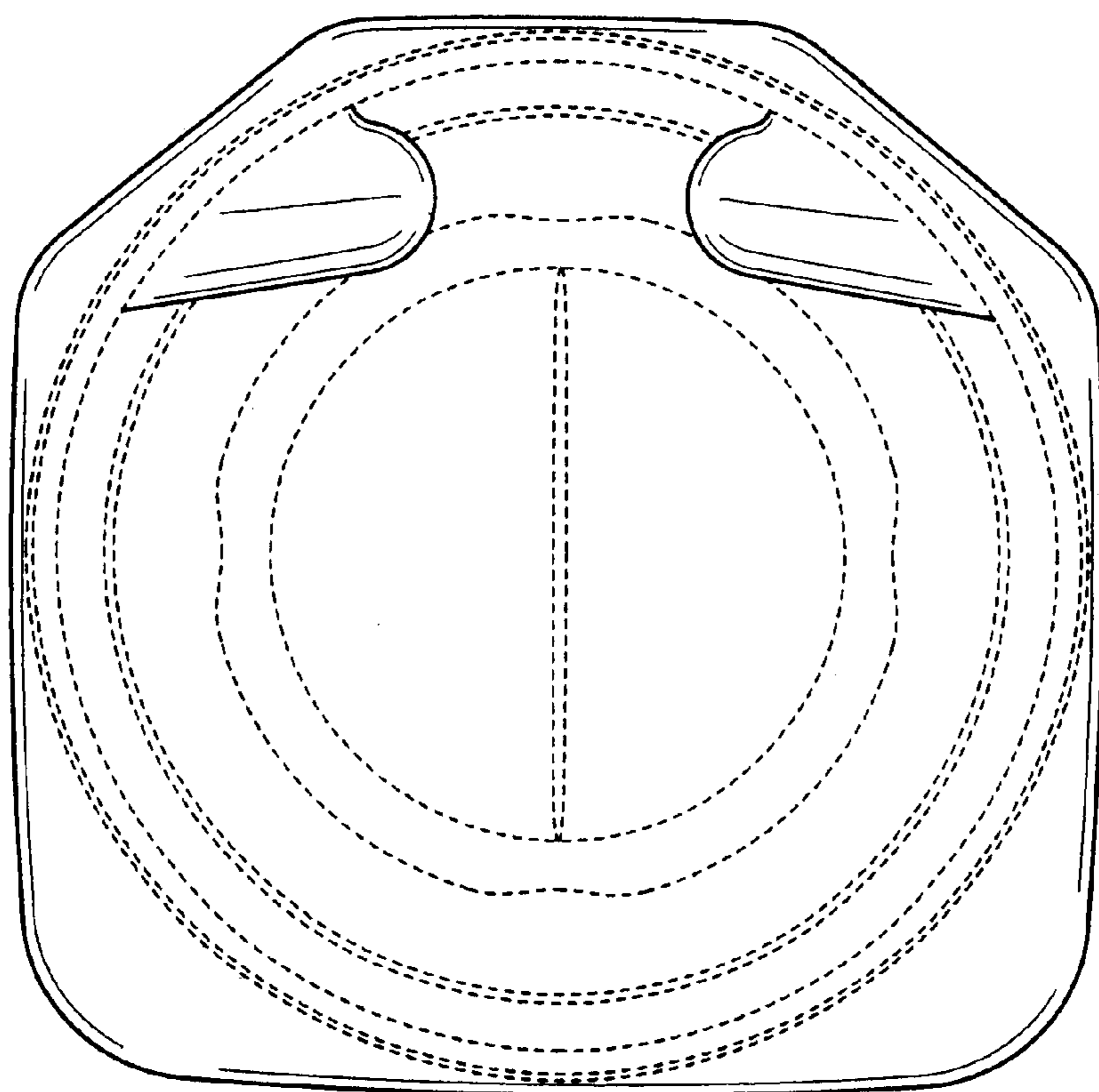


FIG. 6