



US00D541654S

(12) **United States Design Patent** (10) **Patent No.:** **US D541,654 S**  
**Pietrowski et al.** (45) **Date of Patent:** **\*\* May 1, 2007**

(54) **PUSHBUTTON DISPENSER HEAD**  
(75) Inventors: **Daria Pietrowski**, Huntington, CA (US); **Lluis Costa**, Hacienda Heights, CA (US)  
(73) Assignee: **Saint-Gobain Calmar, Inc.**, City of Industry, CA (US)  
(\*\*) Term: **14 Years**  
(21) Appl. No.: **29/235,224**  
(22) Filed: **Jul. 29, 2005**  
(51) **LOC (8) Cl.** ..... **09-07**  
(52) **U.S. Cl.** ..... **D9/448**  
(58) **Field of Classification Search** ..... D9/503, D9/454, 449, 448, 447, 444, 434; D6/542; 222/556-569, 505, 380, 321.7, 321.6, 518, 222/509; 215/222, 214; 251/339; 267/161  
See application file for complete search history.

D354,439 S 1/1995 Kuplien  
D355,845 S 2/1995 Wass  
D356,947 S 4/1995 Mueller  
D376,103 S 12/1996 Knickerbocker  
D377,755 S 2/1997 Kotyuk, Jr. et al.  
D381,909 S 8/1997 Sayers et al.  
D381,910 S 8/1997 Sayers et al.  
D385,792 S 11/1997 Sayers et al.  
D396,188 S 7/1998 Sayers  
D398,232 S 9/1998 Bakic  
D399,746 S 10/1998 Hayataka  
D400,783 S \* 11/1998 de Mourgues ..... D9/691  
D404,295 S \* 1/1999 Bertolini et al. .... D9/691  
D407,313 S 3/1999 Wadsworth et al.  
D412,661 S 8/1999 Lavigne  
D413,257 S 8/1999 Favr  
D413,793 S \* 9/1999 Favre ..... D9/692  
D414,696 S 10/1999 Sayers  
D414,697 S 10/1999 Sayers  
D416,489 S \* 11/1999 Sayers ..... D9/448  
D418,746 S 1/2000 Featherston et al.  
D419,877 S 2/2000 Sayers  
D419,878 S 2/2000 Kerr et al.  
D420,288 S 2/2000 Garcia  
6,065,647 A \* 5/2000 Bliss et al. .... 222/153.02  
D429,642 S 8/2000 Garcia  
D436,039 S 1/2001 Moretti

(56) **References Cited**

**U.S. PATENT DOCUMENTS**

D182,444 S 4/1958 Sinclair et al.  
D187,671 S 4/1960 Ryan  
D193,587 S 9/1962 Green  
D197,865 S 3/1964 Sagarin  
D198,547 S 6/1964 Vuilleminot  
D198,548 S 6/1964 Pollard  
D200,818 S 4/1965 Frost  
D204,214 S 3/1966 Huling  
3,249,260 A \* 5/1966 Goldberg ..... 222/402.11  
D241,918 S 10/1976 Knickerbocker  
D255,098 S 5/1980 Hayes et al.  
D291,972 S 9/1987 Pfeiffer  
D310,723 S 9/1990 Su  
D314,149 S 1/1991 Guilbert  
D314,688 S 2/1991 Guillerm  
D319,588 S 9/1991 Beck  
D323,461 S 1/1992 Beck  
D323,462 S 1/1992 Beck  
D327,003 S 6/1992 Schneider et al.  
5,234,135 A \* 8/1993 LaFosse et al. .... 222/321.2  
D339,527 S 9/1993 Tobler

(Continued)

*Primary Examiner*—Robert M. Spear  
*Assistant Examiner*—Susan Bennett Hattan  
(74) *Attorney, Agent, or Firm*—Dykema Gossett PLLC

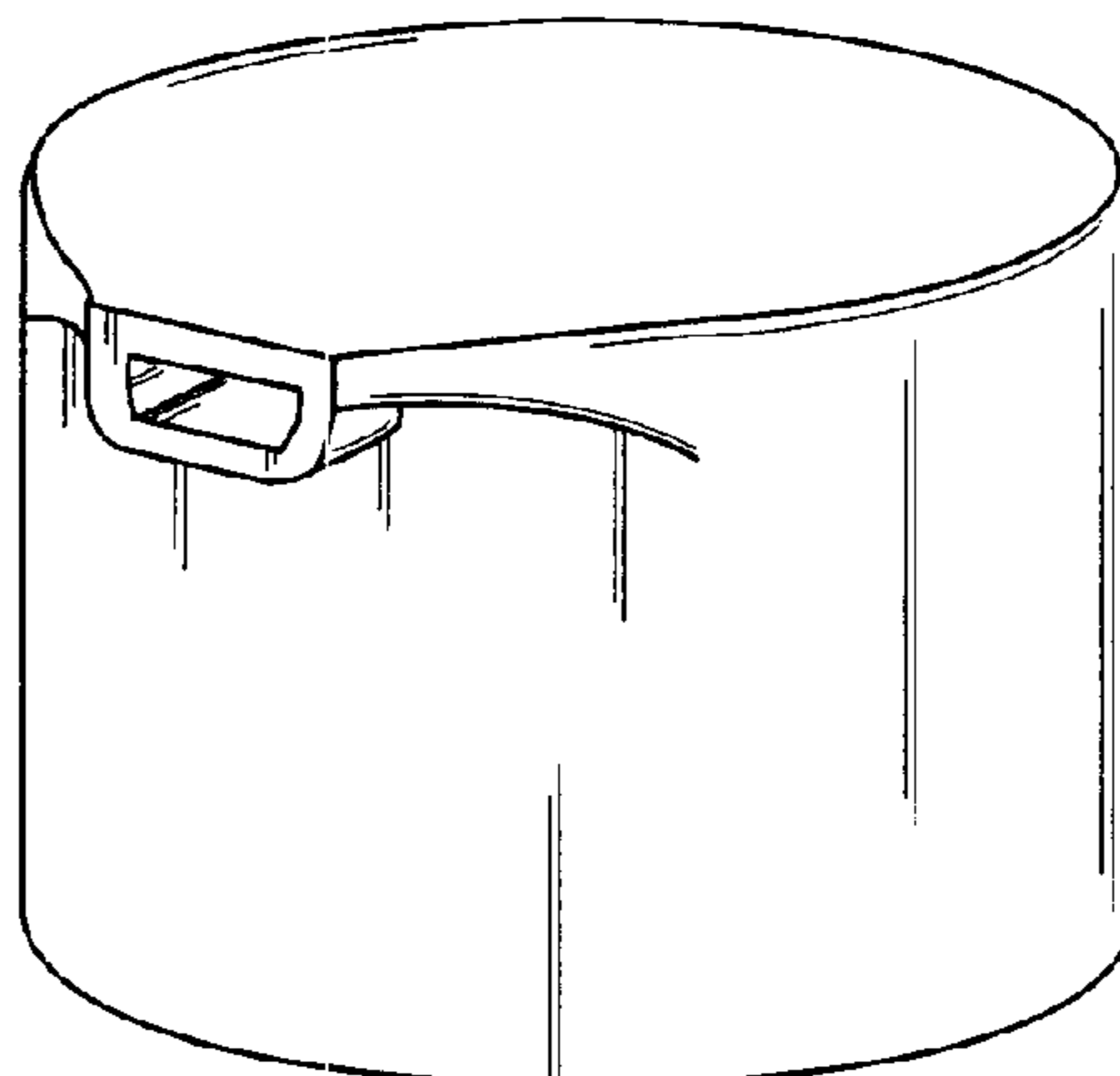
(57) **CLAIM**

The ornamental design for a pushbutton dispenser head, as shown and described.

**DESCRIPTION**

FIG. 1 is a three-dimensional perspective view of the pushbutton dispenser head;  
FIG. 2 is a front view of the pushbutton dispenser head;  
FIG. 3 is a side view thereof;  
FIG. 4 is a back view thereof;  
FIG. 5 is a top view thereof; and,  
FIG. 6 is a bottom view thereof.

**1 Claim, 1 Drawing Sheet**



# US D541,654 S

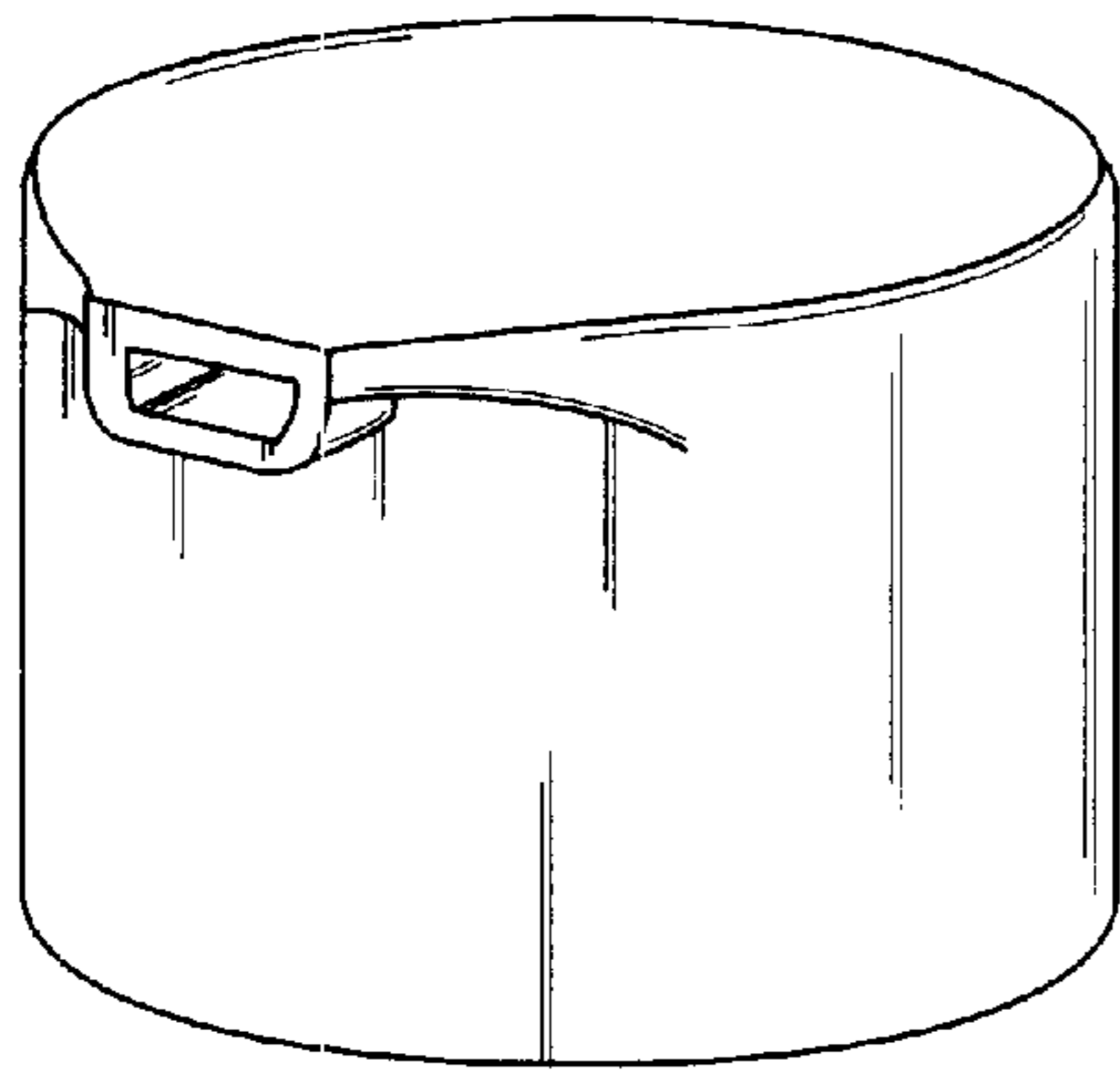
Page 2

---

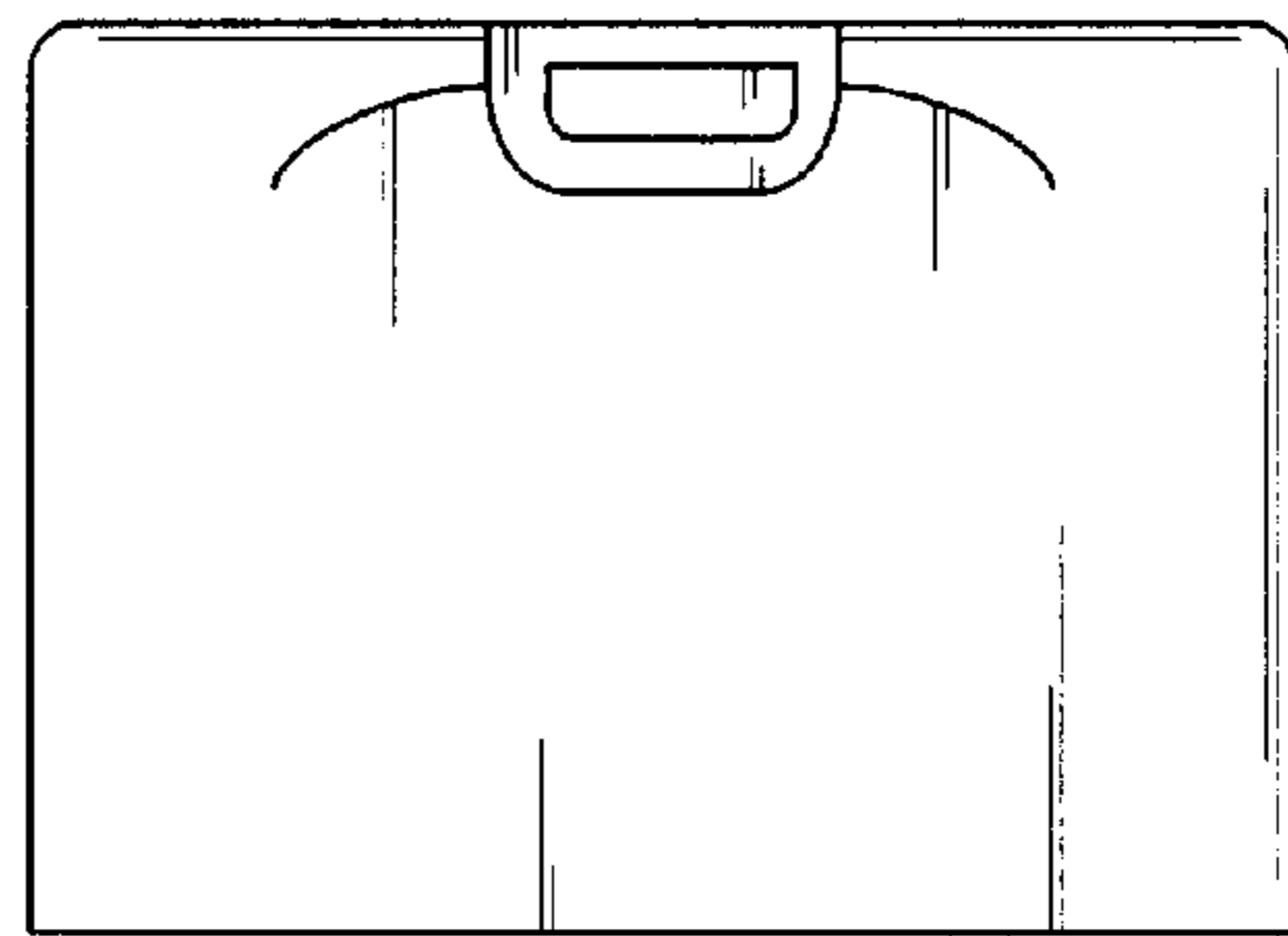
## U.S. PATENT DOCUMENTS

D437,224 S	2/2001	Brozell	D469,684 S	2/2003	Lerolle	
D439,842 S	4/2001	Garcia	D482,281 S	11/2003	Bakic	
D441,654 S	5/2001	Sayers	D489,613 S	5/2004	Campbell et al.	
D443,202 S	6/2001	Boussiquet et al.	D489,615 S	5/2004	Bakic	
D455,960 S	4/2002	Dobbs et al.	D489,616 S	5/2004	Bakic	
D457,429 S	5/2002	Walters	D503,888 S	4/2005	Garcia et al.	
D458,136 S	6/2002	Bakic	D506,134 S *	6/2005	Foster et al. ....	D9/448
D458,137 S	6/2002	Bakic	D523,748 S *	6/2006	Witkowski et al. ....	D9/448
D458,539 S	6/2002	Bakic	2004/0129727 A1 *	7/2004	Foster et al. ....	222/137

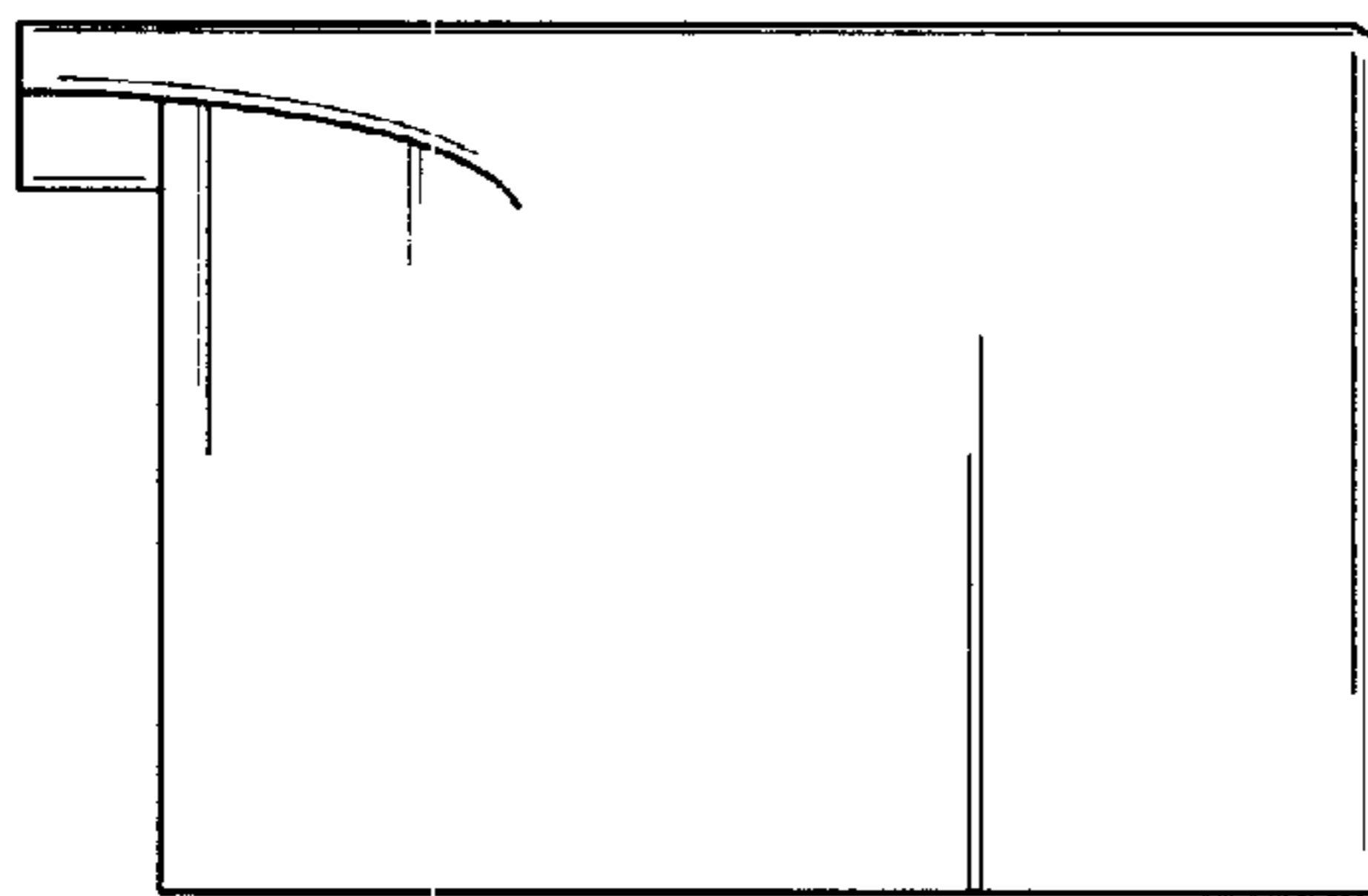
\* cited by examiner



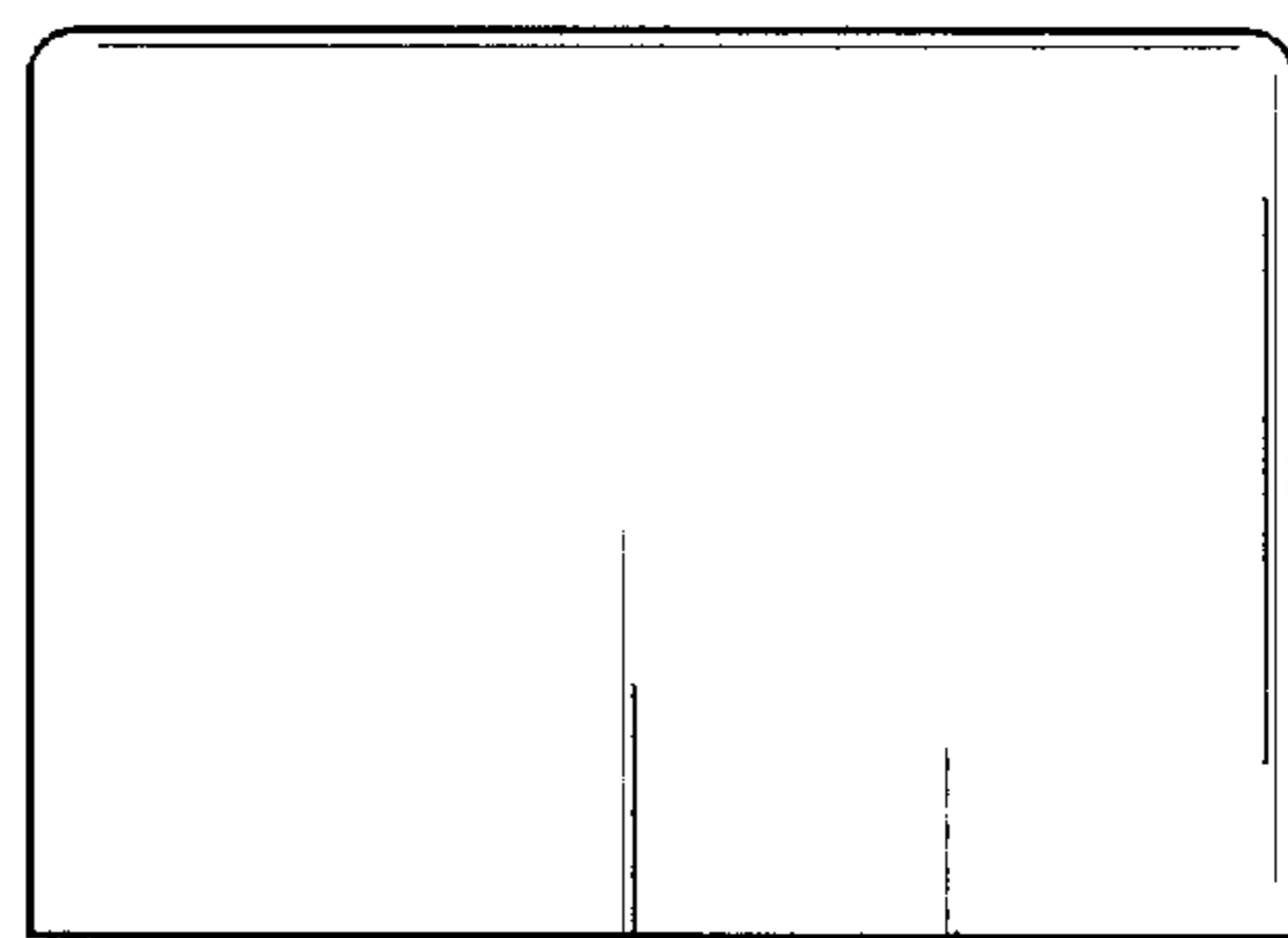
**FIG. 1**



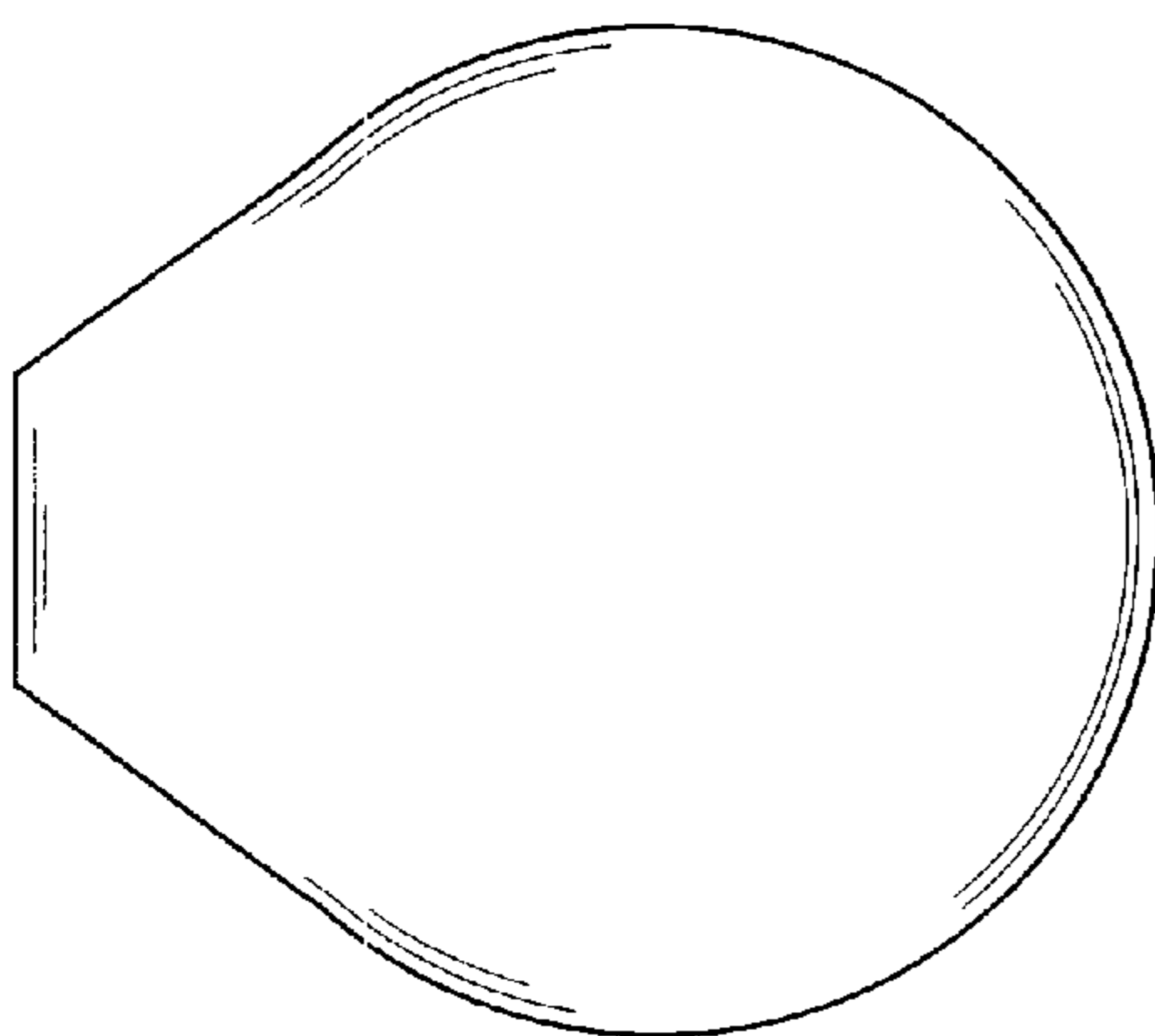
**FIG. 2**



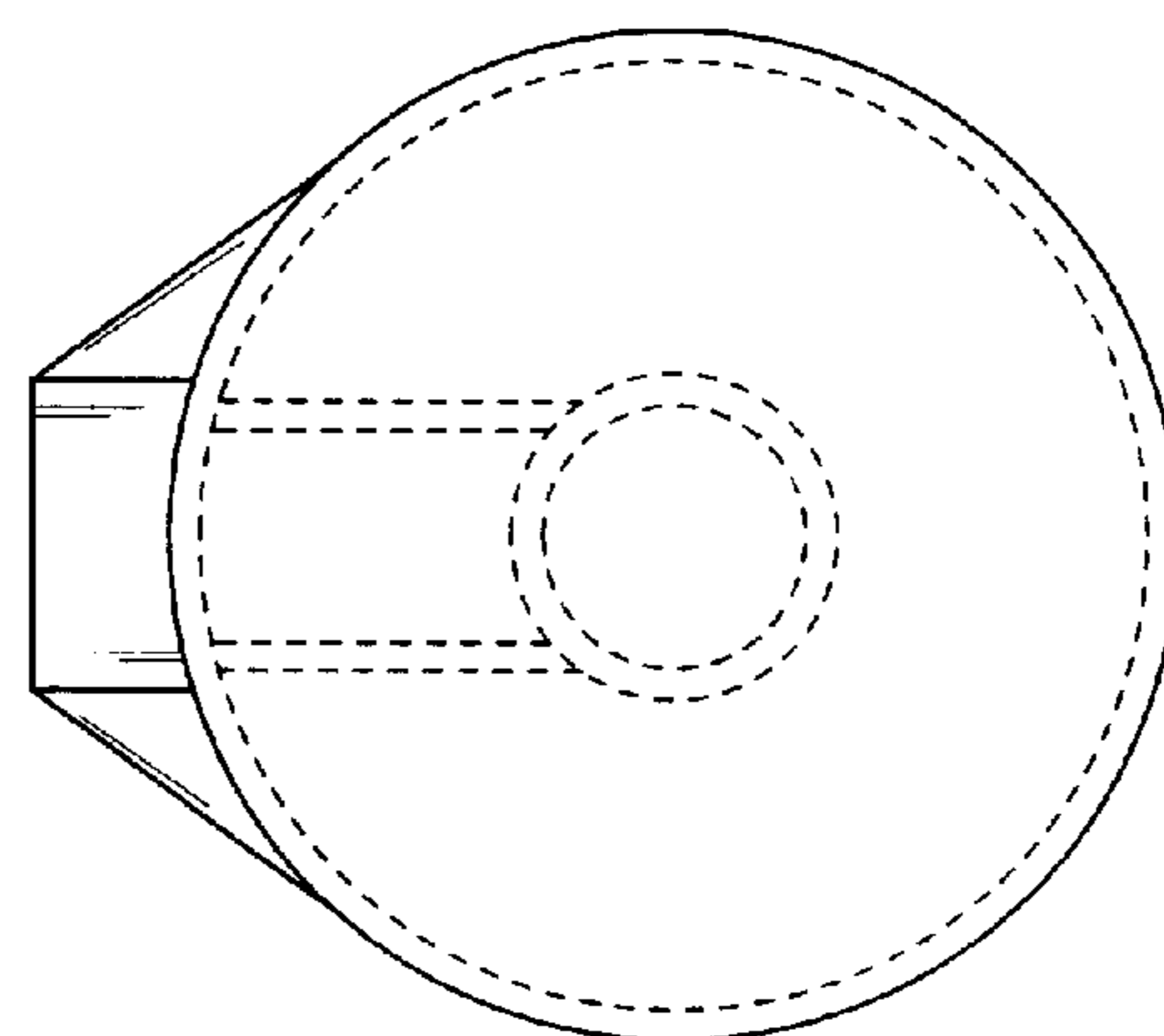
**FIG. 3**



**FIG. 4**



**FIG. 5**



**FIG. 6**