



US00D541652S

(12) **United States Design Patent**
Arminak

(10) **Patent No.:** **US D541,652 S**

(45) **Date of Patent:** **** May 1, 2007**

(54) **SPRAYER SHROUD**

(75) Inventor: **Armin Arminak**, Pasadena, CA (US)

(73) Assignee: **Arminak & Associates**, Duarte, CA (US)

(**) Term: **14 Years**

(21) Appl. No.: **29/202,909**

(22) Filed: **Apr. 6, 2004**

(51) **LOC (8) Cl.** **09-07**

(52) **U.S. Cl.** **D9/448**

(58) **Field of Classification Search** D9/300,
D9/447-448; D23/226; 222/153.1-153.14,
222/385.1-385; 239/333

See application file for complete search history.

(56) **References Cited**

U.S. PATENT DOCUMENTS

3,463,093 A	8/1969	Pfeiffer et al.	417/547
3,774,849 A	11/1973	Boris	239/338
3,843,030 A	10/1974	Micallef	239/478
3,967,765 A	7/1976	Micallef	239/478
D243,180 S	1/1977	Federico et al.	D23/213
4,191,313 A	3/1980	Blake et al.	222/341
D256,946 S	9/1980	Campbell	D23/225
4,225,060 A	9/1980	Kutik et al.	222/189
4,234,128 A	11/1980	Quinn et al.	239/478
4,317,531 A	3/1982	Saito et al.	222/321
4,361,256 A	11/1982	Corsette	223/568
4,365,751 A	12/1982	Saito et al.	239/333
4,402,432 A	9/1983	Corsette	222/321
D275,078 S	8/1984	Wassergord et al.	D9/300
4,489,861 A	12/1984	Saito et al.	222/207
4,489,890 A	12/1984	Martin	239/333
D277,978 S	3/1985	Bundschuh	D23/17
4,516,695 A	5/1985	Garneau	239/478
4,618,076 A	10/1986	Silvenis	222/383

4,618,077 A	10/1986	Corsette	239/383
4,624,413 A	11/1986	Corsette	239/333
4,669,664 A	6/1987	Garneau	239/333
4,674,659 A	6/1987	Micallef	417/498
4,819,835 A	4/1989	Tasaki	222/383
5,062,549 A	11/1991	Smith et al.	222/377
D326,707 S	6/1992	Silvenis et al.	D23/226
D327,222 S	6/1992	Fuchs	D9/435
D332,652 S	1/1993	Foster et al.	D23/226
5,192,007 A	3/1993	Blomquist	239/333
D342,899 S	1/1994	Battegazzore	D9/448

(Continued)

OTHER PUBLICATIONS

1,969,255, Apr. 23, 1996, Contico International, Inc., filed Apr. 28, 1994.

(Continued)

Primary Examiner—Louis S. Zarfaz

Assistant Examiner—Gregory Andoll

(74) *Attorney, Agent, or Firm*—Cislo & Thomas, LLP

(57) **CLAIM**

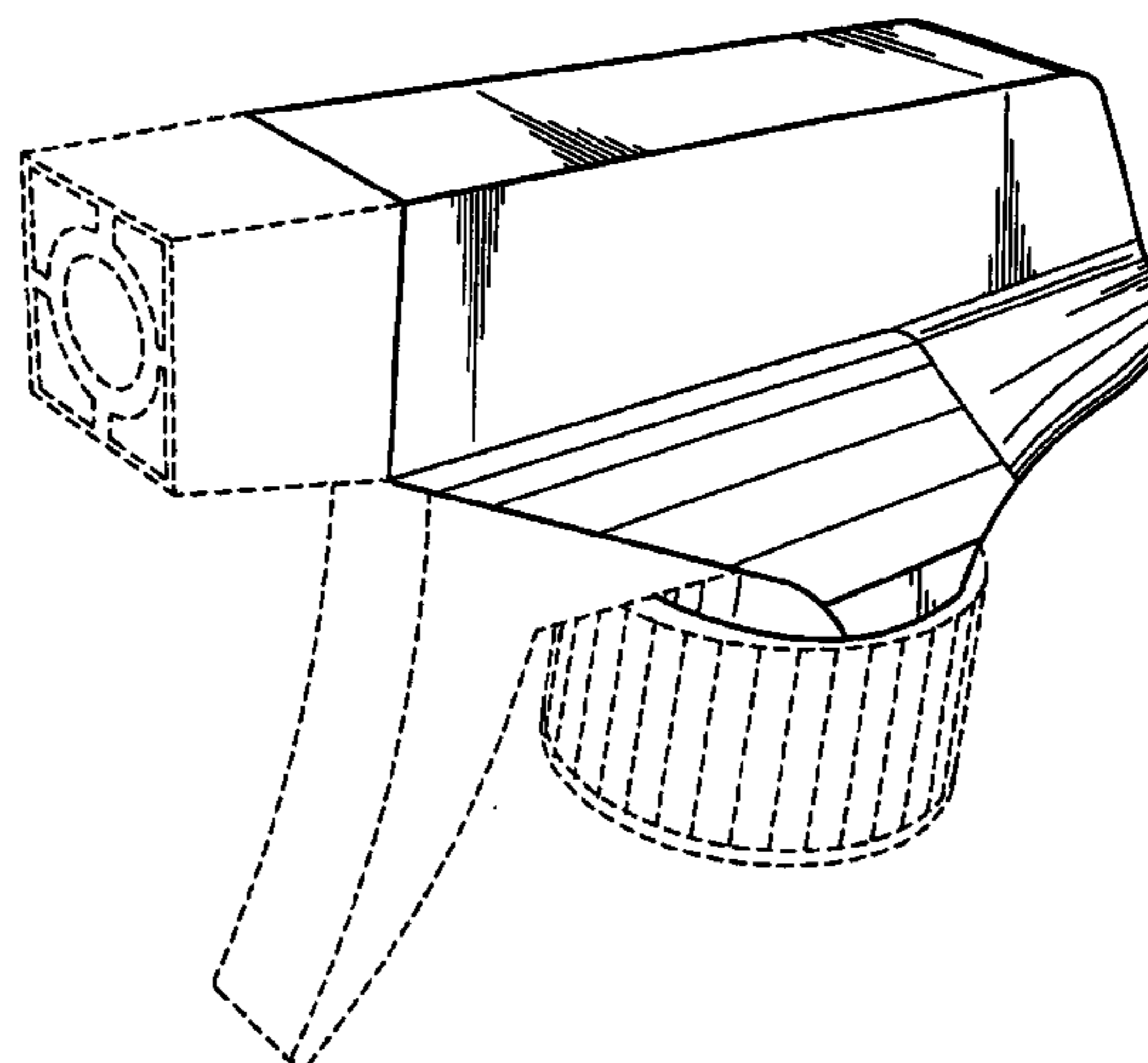
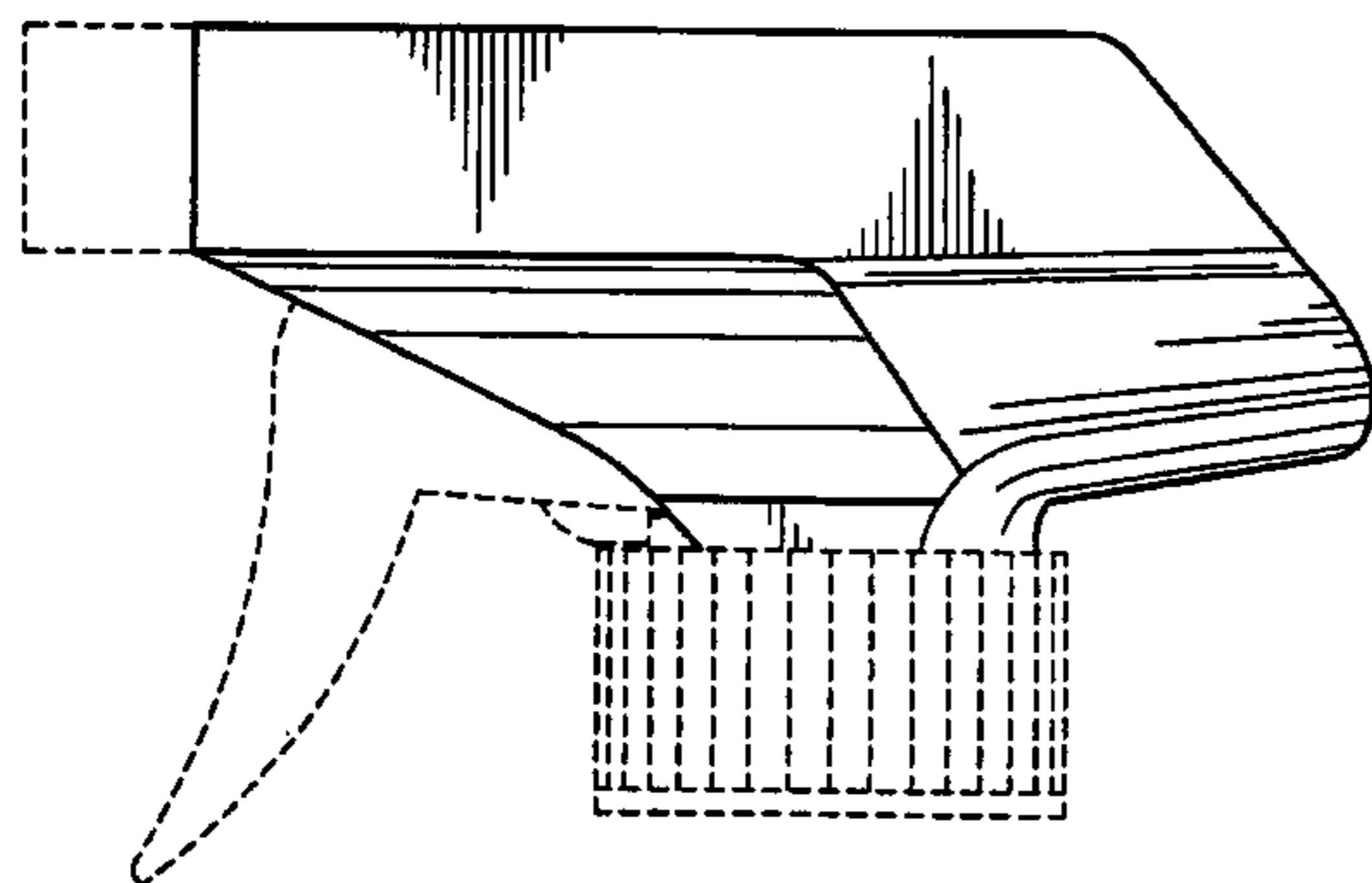
The ornamental design for a sprayer shroud, as shown and described.

DESCRIPTION

FIG. 1 is a right side elevation view of the sprayer shroud, with the left side being a mirror image thereof; FIG. 2 is a rear perspective view thereof; FIG. 3 is a bottom perspective view thereof; FIG. 4 is a rear elevation view thereof; and, FIG. 5 is a front perspective view thereof.

The broken lines showing environment in the drawings are for information purposes only and form no part of the claimed design.

1 Claim, 3 Drawing Sheets



U.S. PATENT DOCUMENTS

D352,546 S	11/1994	Silvenis et al.	D9/448
D354,226 S	* 1/1995	Foster et al.	D9/448
D357,408 S	4/1995	Silvenis et al.	D9/300
D358,198 S	5/1995	Wadsworth	D23/226
D366,692 S	1/1996	Wadsworth	D9/448
5,839,620 A	11/1998	Battegazzore	222/382
D406,762 S	* 3/1999	Durliat	D9/448
5,899,366 A	5/1999	Ellion	222/376
5,984,149 A	11/1999	Thanisch et al.	222/340
D419,875 S	2/2000	Wadsworth et al.	D9/448
D421,388 S	3/2000	Cummings	D9/448
D433,943 S	11/2000	Keung et al.	D9/448
D439,164 S	3/2001	Keung et al.	D9/448
D442,088 S	5/2001	Trepina et al.	D9/448
D446,721 S	8/2001	Kimble et al.	D9/434
D447,415 S	9/2001	Spengler	D9/448
D454,787 S	3/2002	Cummings	D9/448

OTHER PUBLICATIONS

1,967,699, Apr. 16, 1996, Contico International, Inc., filed Apr. 28, 1994.
 1,817,744, Jan. 25, 1994, Contico International, Inc., filed May 6, 1991.
 1,817,743, Jan. 25, 1994, Contico International, Inc., filed May 6, 1991.
 1,817,742, Jan. 25, 1994, Contico International, Inc., filed May 3, 1991.
 1,817,741, Jan. 25, 1994, Contico International, Inc., filed May 3, 1991.
 1,760,815, Mar. 23, 1993, Contico International, Inc., filed May 6, 1991.

1,754,650, Feb. 23, 1993, Contico International, Inc., filed May 3, 1991.
 1,697,372, Jun. 30, 1992, AFA Products, Inc., filed Dec. 29, 1989.
 1,695,787, Jun. 23, 1992, AFA Products, Inc., filed Apr. 26, 1989.
 1,694,022, Jun. 16, 1992, AFA Products, Inc., filed Apr. 26, 1989.
 1,689,860, Jun. 2, 1992, AFA Products, Inc., filed Dec. 26, 1989.
 1,687,585, May 19, 1992, AFA Products, Inc., filed Apr. 26, 1989.
 1,670,981, Jan. 7, 1992, AFA Products, Inc., filed Dec. 26, 1989.
 1,670,980, Jan. 7, 1992, AFA Products, Inc., filed Dec. 26, 1989.
 1,666,455, Dec. 3, 1991, AFA Products, Inc., filed Dec. 26, 1989.
 1,641,911, Apr. 23, 1991, AFA Products, Inc., filed Dec. 26, 1989.
 1,640,249, Apr. 9, 1991, AFA Products, Inc., filed Apr. 26, 1989.
 1,640,248, Apr. 9, 1991, AFA Products, Inc., filed Apr. 26, 1989.
 1,638,905, Mar. 26, 1991, AFA Products, Inc., filed Apr. 26, 1989.
 1,637,413, Mar. 12, 1991, AFA Products, Inc., filed Apr. 26, 1989.

* cited by examiner

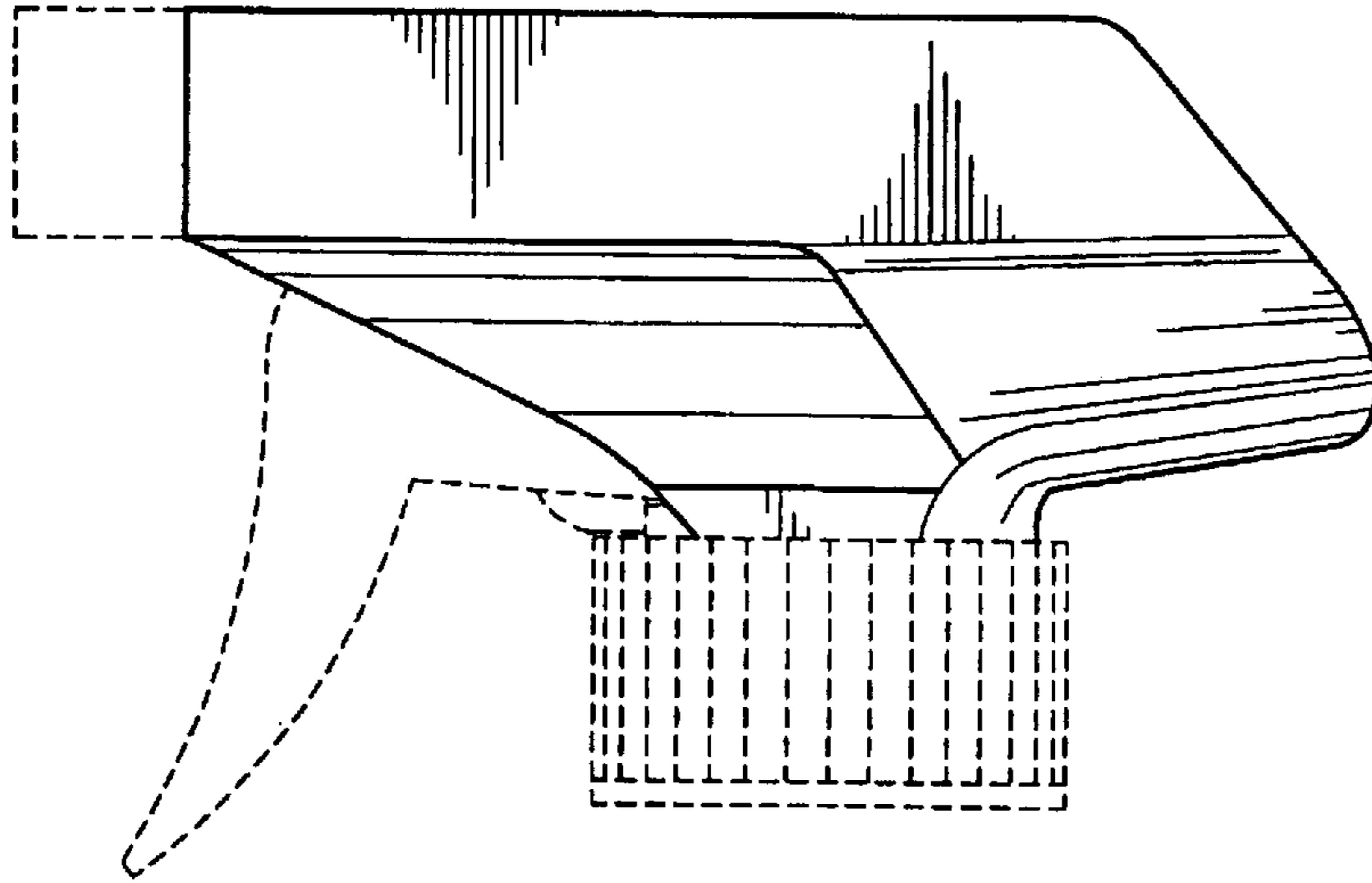


FIG. 1

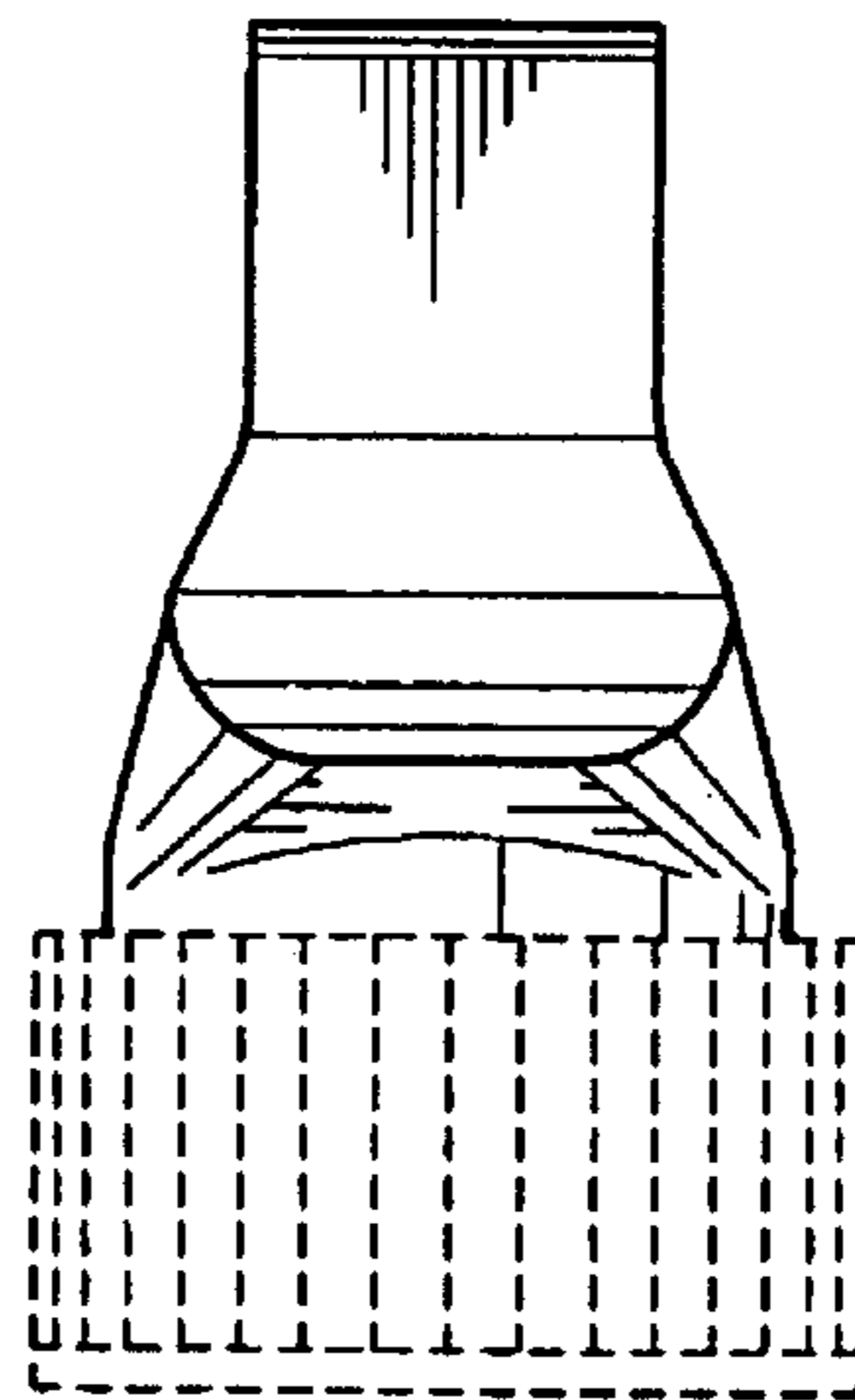
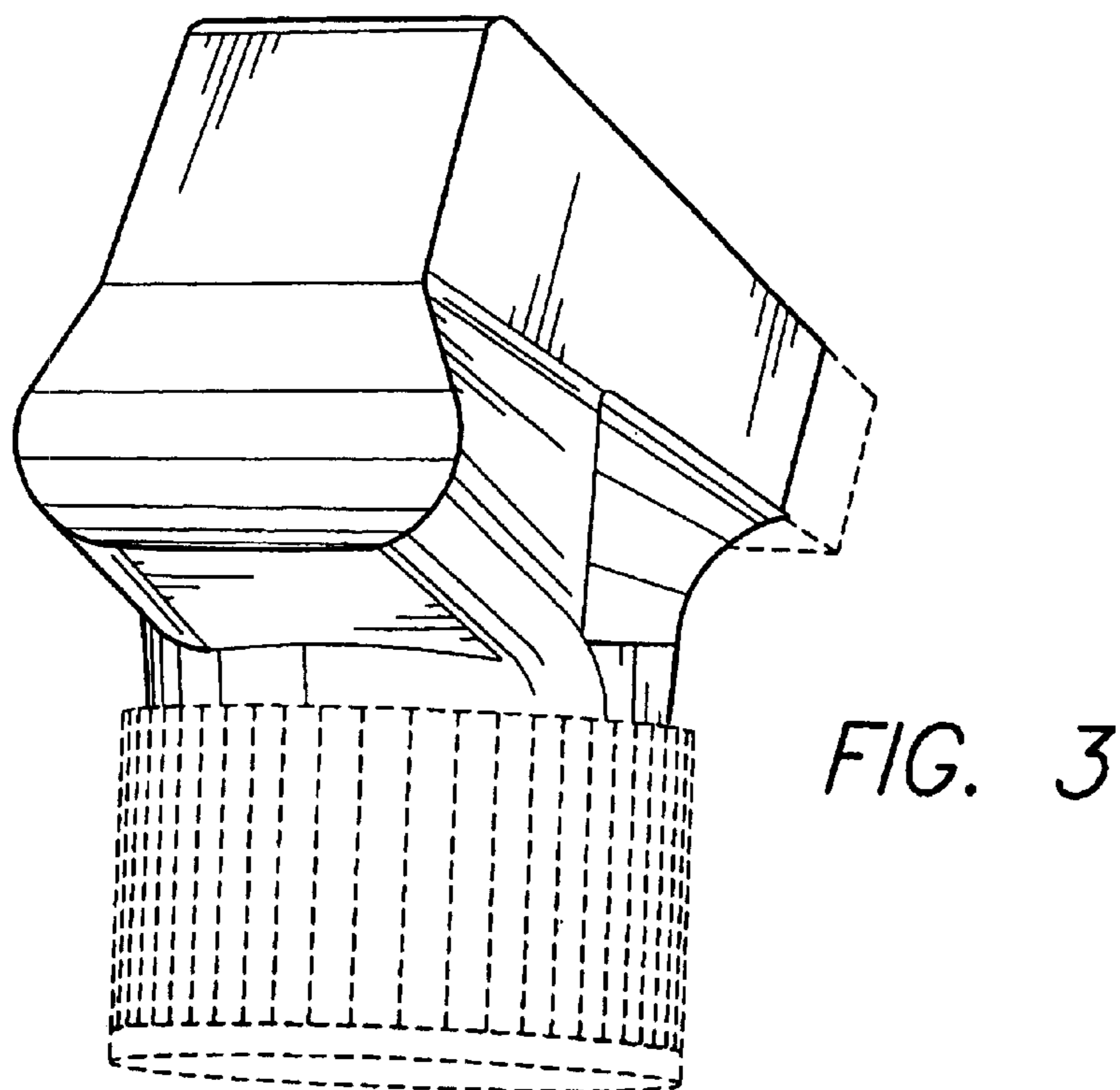
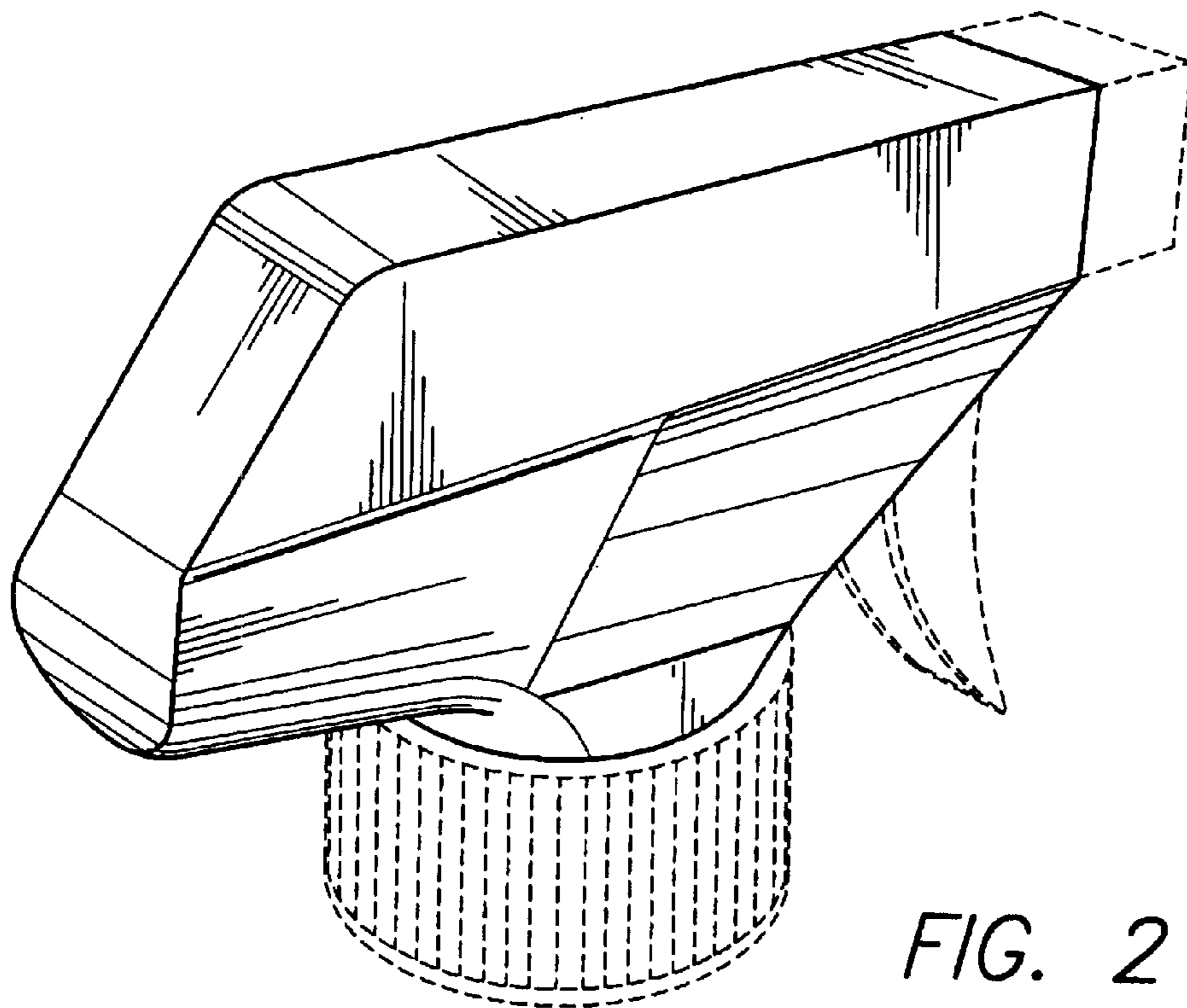


FIG. 4



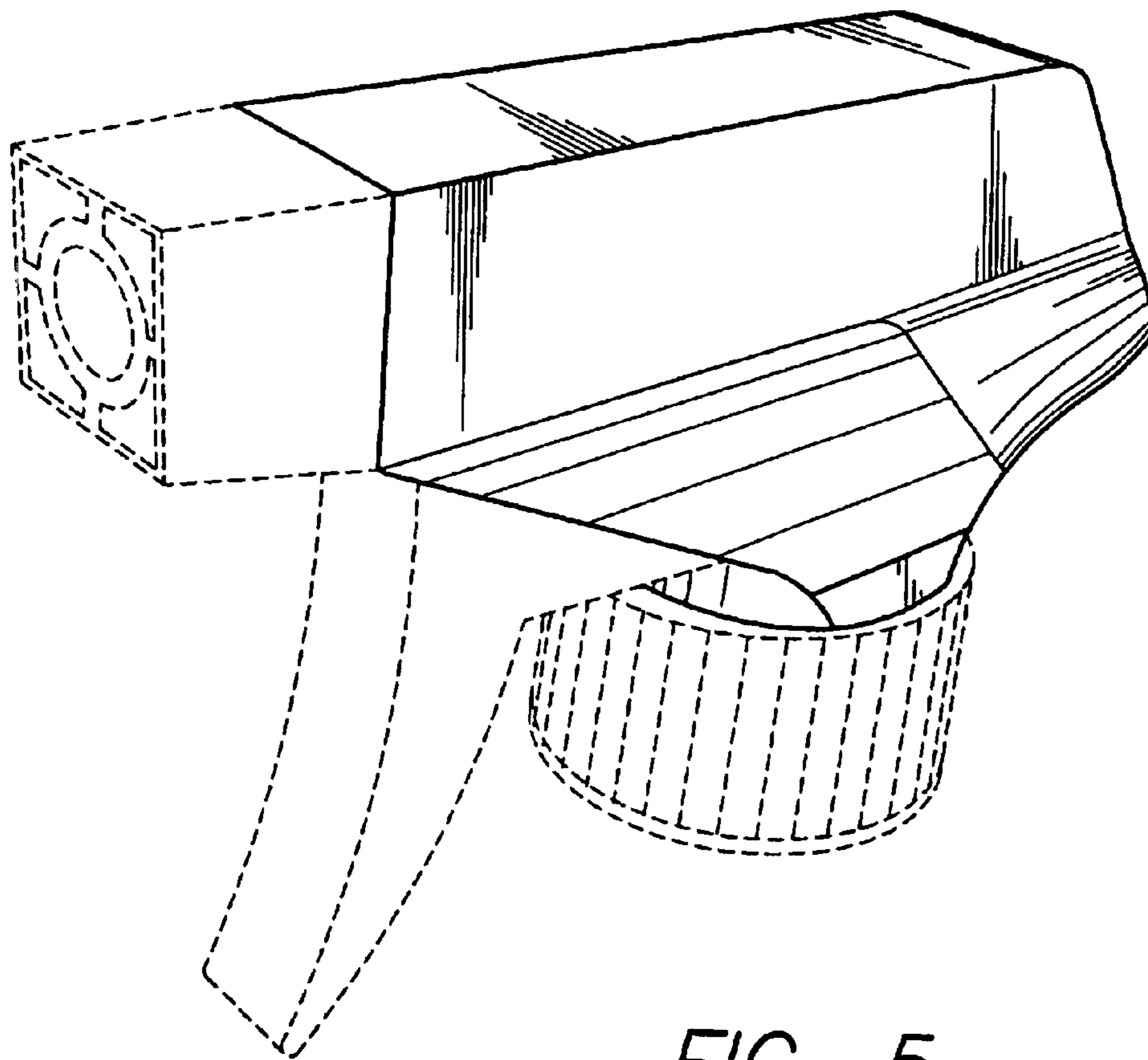


FIG. 5