

US00D541651S

(12) **United States Design Patent** (10) **Patent No.:** **US D541,651 S**
Hollis et al. (45) **Date of Patent:** **** May 1, 2007**

(54) **DISPOSABLE CUP LID**
 (75) Inventors: **Robert W. Hollis**, Homer Glen, IL (US); **Weston S. Koennecke**, Oak Park, IL (US); **John R. Geer, III**, Downers Grove, IL (US)
 (73) Assignee: **Prairie Packaging Inc.**, Bedford Park, IL (US)
 (**) Term: **14 Years**

4,113,135 A 9/1978 Yamazki
 4,138,033 A 2/1979 Payne et al.
 4,164,303 A 8/1979 Waterburg
 4,184,604 A 1/1980 Amberg et al.
 4,186,842 A 2/1980 Albert
 4,187,954 A 2/1980 Striggow
 4,190,174 A 2/1980 Haimowitz
 4,202,459 A 5/1980 DeParales et al.
 4,210,272 A 7/1980 Sequin
 4,243,156 A 1/1981 Lobbestael

(Continued)

(21) Appl. No.: **29/248,891**
 (22) Filed: **Sep. 8, 2006**

Primary Examiner—Robert M. Spear
Assistant Examiner—Susan Bennett Hattan
 (74) *Attorney, Agent, or Firm*—Bell Boyd & Lloyd LLC

Related U.S. Application Data

(62) Division of application No. 29/230,074, filed on May 16, 2005.
 (51) **LOC (8) Cl.** **09-07**
 (52) **U.S. Cl.** **D9/447; D9/435**
 (58) **Field of Classification Search** D9/454, D9/450, 449, 447, 445, 441, 438, 435, 434; D7/629, 511, 510, 396.2, 392.1, 317, 391, D7/392; D3/203.2, 202; 222/555, 451.2; 220/713, 712, 270, 253, 454.1-9
 See application file for complete search history.

(57) **CLAIM**

The ornamental design for a disposable cup lid, as shown and described herein.

DESCRIPTION

This application relates to the following co-pending commonly owned patent applications: “Disposable Cup Lid,” Ser. No. 29/248,892; “Disposable Cup Lid,” Ser. No. 29/248,889; “Disposable Cup Lid,” Ser. No. 29/248,885; “Disposable Cup Lid,” Ser. No. 29/248/882; “Disposable Cup Lid,” Ser. No. 29,248,886; “Disposable Cup Lid,” Ser. No. 29/248,883; “Disposable Cup Lid,” Ser. No. 29/248,888; “Disposable Cup Lid,” Ser. No. 29/248,898; and “Disposable Cup Lid,” Ser. No. 29/248,896.

FIG. 1 is a rear perspective view of a disposable cup lid of our new design, that portion of the cup lid shown in phantom is not part of the claimed design and is provided for environmental purposes only.

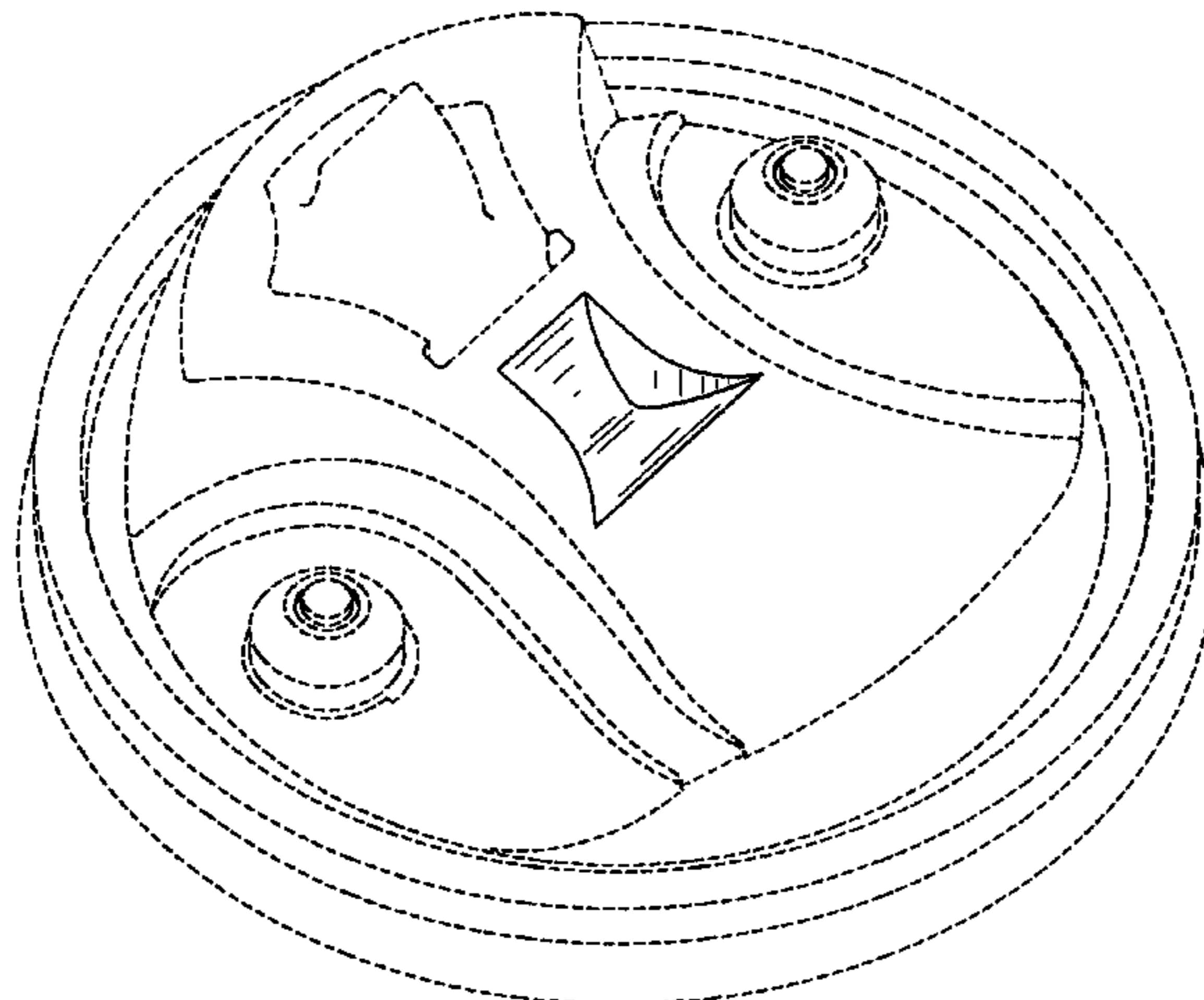
FIG. 2 is a top plan view of the disposable cup lid of our new design illustrated in FIG. 1, that portion of the cup lid shown in phantom is not part of the claimed design and is provided for environmental purposes only; and,

FIG. 3 is a bottom plan view of the disposable cup lid of our new design illustrated in FIG. 1, that portion of the cup lid shown in phantom is not part of the claimed design and is provided for environmental purposes only.

(56) **References Cited**
 U.S. PATENT DOCUMENTS

2,184,215 A 12/1939 Geyer
 2,913,140 A * 11/1959 Vuilleminot 220/210
 3,302,858 A 2/1967 Miller
 3,596,792 A 8/1971 Wilcox
 3,777,968 A 12/1973 Law
 3,860,162 A 1/1975 Schutz
 3,952,910 A 4/1976 Wheeler
 RE28,797 E 5/1976 Brewer
 3,977,559 A 8/1976 Lombardi
 3,977,562 A 8/1976 Wedzik
 3,994,411 A 11/1976 Elfelt et al.
 4,056,210 A 11/1977 Boyle
 4,090,660 A 5/1978 Schram et al.
 4,106,660 A 8/1978 Boyle

1 Claim, 2 Drawing Sheets



US D541,651 S

U.S. PATENT DOCUMENTS					
D259,403 S	6/1981	Frazier, Jr.	D405,011 S	2/1999	DeCoster et al.
4,285,442 A	8/1981	Wedzik	5,894,950 A	4/1999	Kick
4,319,691 A	3/1982	Hament	5,894,952 A	4/1999	Mendenhall et al.
4,319,692 A	3/1982	Gundlach	5,911,331 A	6/1999	Boller
4,322,015 A	3/1982	Bailey	5,947,323 A	9/1999	Freek et al.
4,345,695 A	8/1982	Galloway et al.	D416,170 S	11/1999	Stucke, Jr. et al.
D267,633 S	1/1983	Christian	5,979,647 A	11/1999	Han
4,377,244 A	3/1983	Rossetti	5,996,837 A	12/1999	Freek et al.
4,412,629 A	11/1983	Dart et al.	D418,363 S	1/2000	Barnes et al.
D271,857 S	12/1983	Callahan	6,076,450 A	6/2000	DiGiorgio, Jr.
4,421,244 A	12/1983	Van Melle	6,079,588 A	6/2000	Khafizov
4,438,865 A	3/1984	Scattaregia	6,089,397 A	7/2000	Van Melle
4,441,624 A	4/1984	Sokolowski	6,176,390 B1	1/2001	Kemp
D274,502 S	7/1984	Little	6,209,748 B1	4/2001	Dunbar
4,460,103 A	7/1984	Rama et al.	6,220,470 B1	4/2001	McHenry et al.
RE31,650 E	8/1984	Serritella	6,260,727 B1	7/2001	Durdon
D274,983 S	8/1984	Dart et al.	D447,412 S	9/2001	Durdon
4,473,167 A	9/1984	Bailey	6,398,083 B2	6/2002	Nybakke
4,489,848 A	12/1984	Braude	D461,361 S	8/2002	Orr et al.
4,502,608 A	3/1985	Mills	6,505,753 B1	1/2003	Freek et al.
4,518,096 A	5/1985	Winstead	D470,009 S	2/2003	Turchi et al.
4,566,605 A	1/1986	Rogers	6,533,139 B2	3/2003	Lukacevic
4,582,214 A	4/1986	Dart et al.	6,571,973 B1	6/2003	Tripsianes
4,589,569 A	5/1986	Clements	D476,566 S	7/2003	Smith et al.
D285,416 S	9/1986	Dart et al.	D476,567 S	7/2003	Weiss et al.
4,615,459 A	10/1986	Clements	D476,891 S	7/2003	Clarke et al.
4,627,537 A	12/1986	Rogers	D477,223 S	7/2003	Smith et al.
4,629,088 A	12/1986	Durgin	D478,006 S	8/2003	Smith et al.
D287,919 S	1/1987	Clements	D479,802 S *	9/2003	Arduini D9/505
4,738,373 A	4/1988	DeParales	6,612,456 B1	9/2003	Hundley et al.
4,741,450 A	5/1988	Braude	D480,968 S	10/2003	Atkins et al.
4,753,365 A	6/1988	Seppala	D481,633 S	11/2003	Schmidtner et al.
4,756,440 A	7/1988	Gartner	6,644,490 B2	11/2003	Clarke
4,760,934 A	8/1988	Netsch	D485,758 S	1/2004	Clarke et al.
4,934,558 A	6/1990	Vargas	D485,759 S	1/2004	Janky et al.
4,938,379 A	7/1990	Kellner	6,679,397 B2	1/2004	Smith et al.
4,949,865 A	8/1990	Turner	D487,399 S	3/2004	Schmidtner et al.
4,953,743 A	9/1990	Dart et al.	6,702,145 B2	3/2004	Malcolm
5,050,759 A	9/1991	Marble	D489,260 S	5/2004	Smith et al.
D323,116 S	1/1992	Dart et al.	6,732,875 B2	5/2004	Smith et al.
5,090,584 A	2/1992	Roberts et al.	D493,718 S	8/2004	Durdon
5,111,961 A	5/1992	Van Melle	6,811,049 B2	11/2004	Lukacevic
5,165,579 A *	11/1992	Lund 222/192	6,824,003 B1	11/2004	Wong
5,183,172 A	2/1993	Boller	6,874,649 B2	4/2005	Clarke et al.
5,197,624 A	3/1993	Dodaro	6,886,707 B2	5/2005	Giraud
5,253,781 A	10/1993	Van Melle et al.	6,889,859 B1	5/2005	Leon
5,335,812 A	8/1994	Boller	6,889,860 B2	5/2005	Mazzarolo
5,348,181 A	9/1994	Smith et al.	D522,860 S *	6/2006	LaFortune D9/449
D353,769 S	12/1994	Miller	2002/0027139 A1	3/2002	O'Neill
D354,438 S	1/1995	Miller	2002/0038803 A1	4/2002	Malcolm
5,392,949 A	2/1995	McKenna	2003/0024929 A1	2/2003	Smith et al.
5,398,843 A	3/1995	Warden et al.	2003/0024930 A1	2/2003	Smith et al.
D360,133 S	7/1995	Boller	2003/0052127 A1	3/2003	Mazzarolo
5,490,609 A	2/1996	Lane et al.	2003/0089714 A1	5/2003	Dart et al.
5,503,289 A	4/1996	Fox	2003/0089726 A1	5/2003	Mazzarolo
5,509,568 A	4/1996	Warden et al.	2003/0102312 A1	6/2003	Horner
D372,866 S	8/1996	Ahern, Jr.	2003/0116568 A1	6/2003	Clarke et al.
D374,590 S *	10/1996	Ahern, Jr. D7/392.1	2003/0178426 A1	9/2003	Freek et al.
D374,794 S *	10/1996	Ahern, Jr. D7/392.1	2003/0192890 A1	10/2003	Mazzarolo
5,613,619 A	3/1997	Van Melle	2003/0197012 A1	10/2003	Smith et al.
5,624,053 A	4/1997	Freek et al.	2003/0218017 A1	11/2003	Schmidtner et al.
5,699,927 A	12/1997	Lane et al.	2004/0035868 A1	2/2004	Smith et al.
5,706,972 A *	1/1998	Sousa 220/714	2004/0089662 A1	5/2004	Smith et al.
D390,465 S	2/1998	Frye	2004/0118847 A1	6/2004	Giraud
5,722,558 A	3/1998	Thompson	2004/0195239 A1	10/2004	Rush et al.
D394,184 S	5/1998	Demore	2005/0092748 A1	5/2005	Durdon
5,798,079 A	8/1998	Freek et al.	2005/0092749 A1	5/2005	Durdon
5,820,016 A	10/1998	Stropkay	2006/0226147 A1 *	10/2006	Phillips 220/254.2
5,839,601 A	11/1998	Van Melle	2006/0226148 A1 *	10/2006	Hundley et al. 220/254.3
D402,556 S	12/1998	Frye			

* cited by examiner

FIG.1

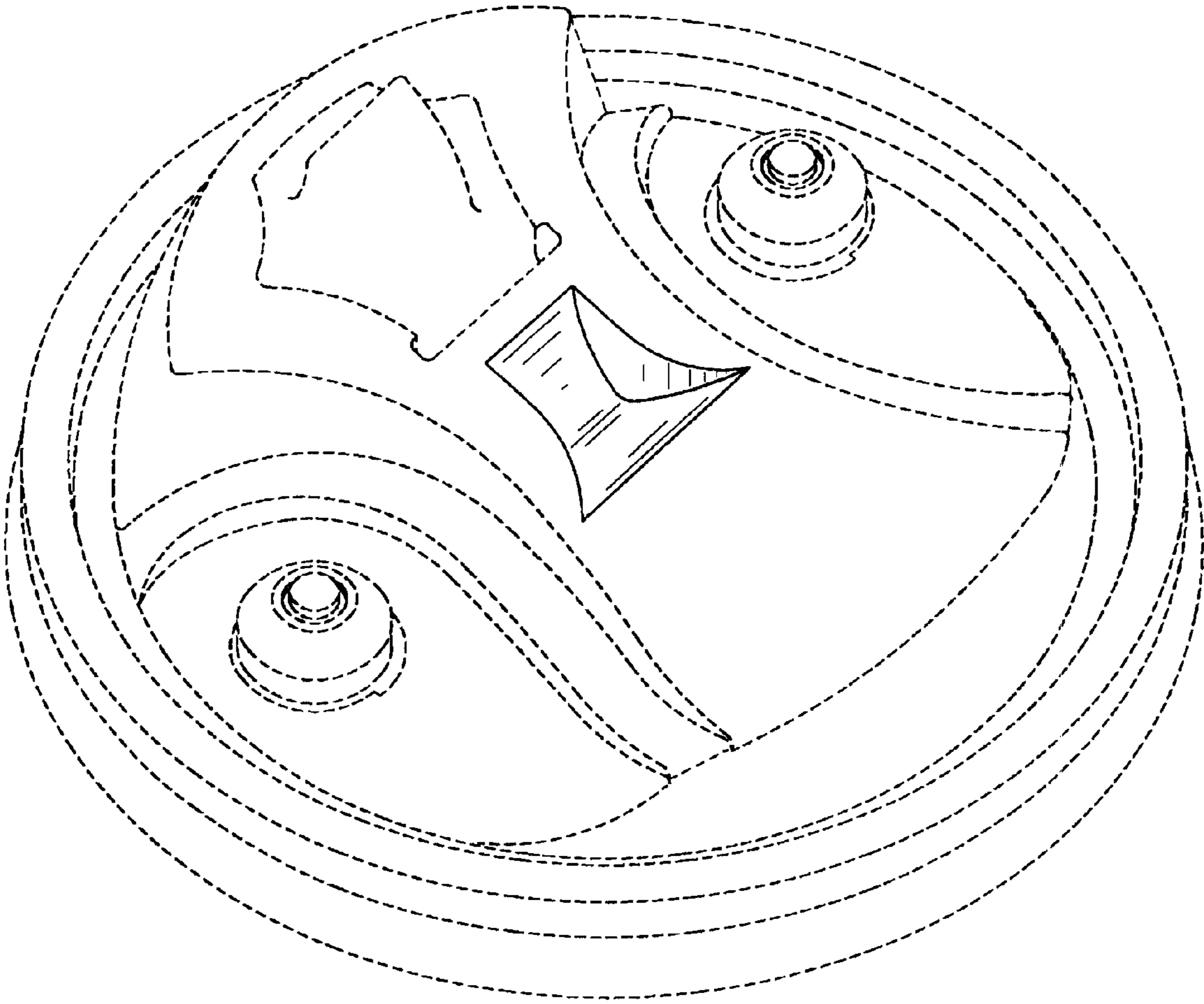


FIG. 2

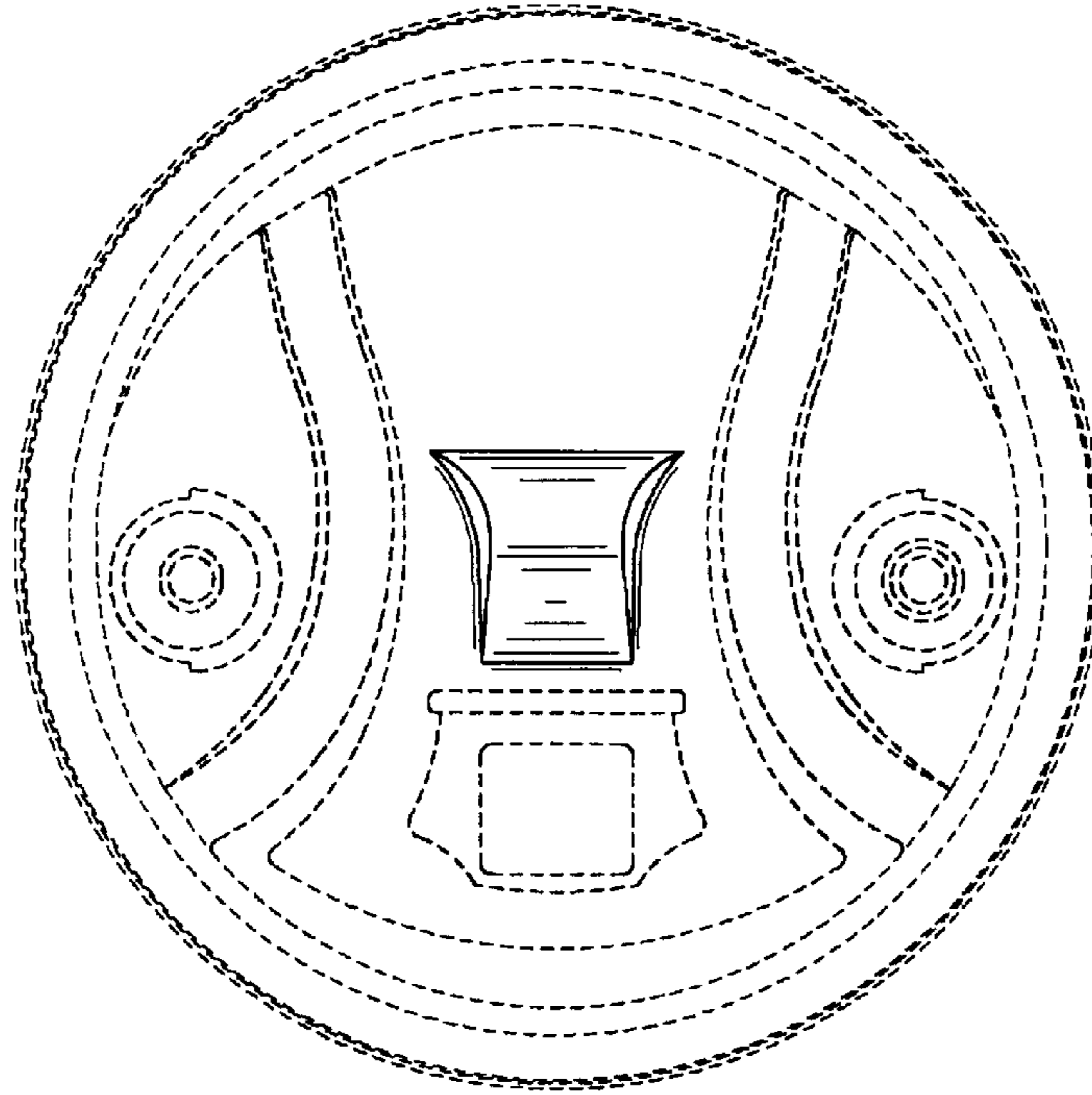


FIG. 3

