

US00D541645S

(12) **United States Design Patent**
Hutton

(10) **Patent No.:** **US D541,645 S**

(45) **Date of Patent:** **** May 1, 2007**

(54) **THREAD SUPPORTING STABILIZER ASSEMBLY**

(76) Inventor: **Peter B. Hutton**, 1976 Vermont St., Houston, TX (US) 77019

(**) Term: **14 Years**

(21) Appl. No.: **29/221,625**

(22) Filed: **Jan. 21, 2005**

(51) **LOC (8) Cl.** **08-08**

(52) **U.S. Cl.** **D8/387**

(58) **Field of Classification Search** D8/387,
D8/397; 411/280, 435

See application file for complete search history.

(56) **References Cited**

U.S. PATENT DOCUMENTS

- 4,600,344 A * 7/1986 Sutenbach et al. 411/435
- 4,832,551 A * 5/1989 Wollar 411/280
- 4,974,308 A 12/1990 Nimberger
- 6,688,823 B2 * 2/2004 Kakamu et al. 411/107

D496,852 S * 10/2004 Carpinella et al. D8/387

* cited by examiner

Primary Examiner—Holly H. Baynham

(74) *Attorney, Agent, or Firm*—Stevens, Davis, Miller & Mosher LLP

(57) **CLAIM**

The ornamental design for thread supporting stabilizer assembly, as shown and described.

DESCRIPTION

FIG. 1 is a front view of the stabilizer of the present invention;

FIG. 2 is a right side view of the stabilizer of the present invention;

FIG. 3 is a top view of the stabilizer of FIG. 1;

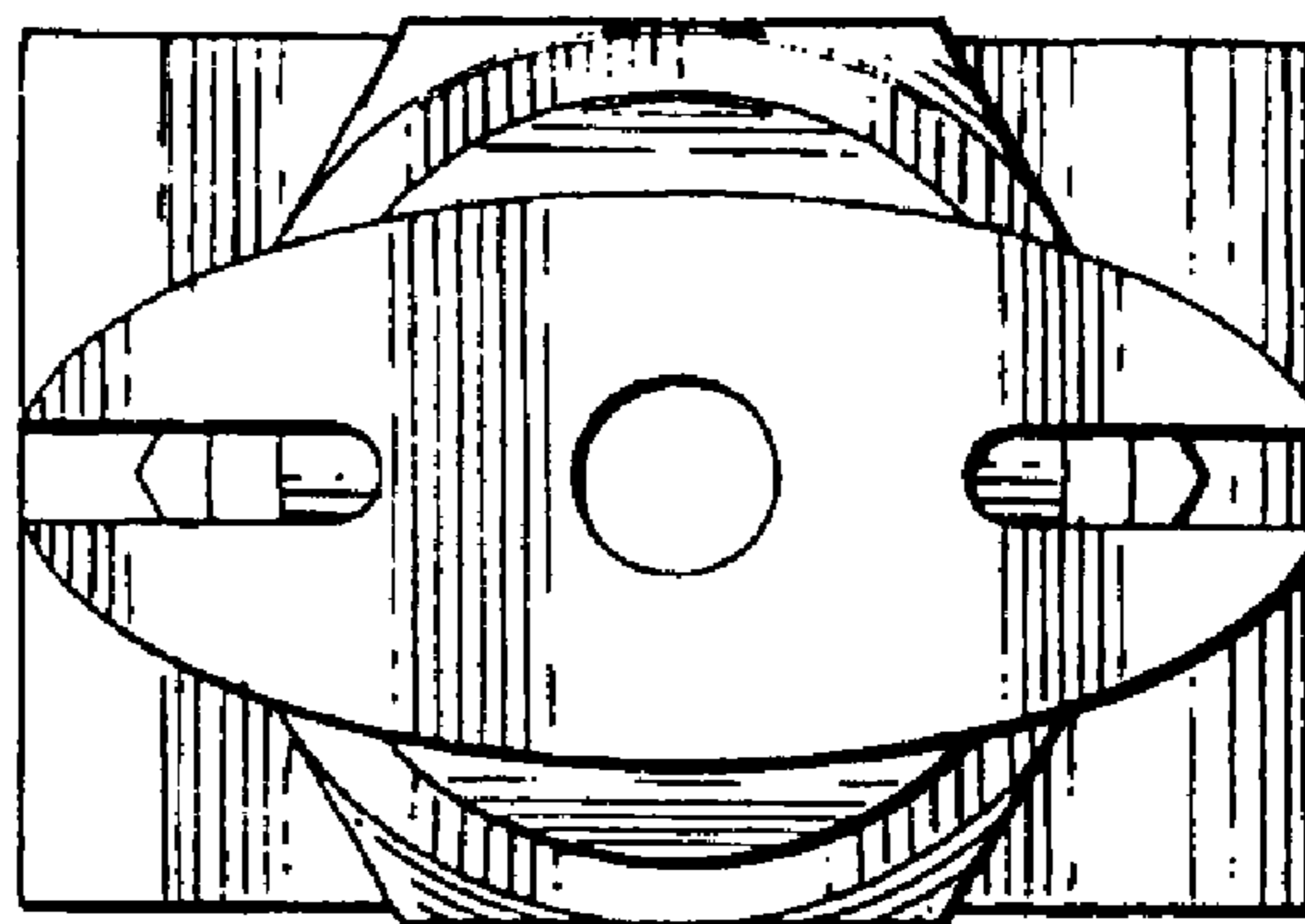
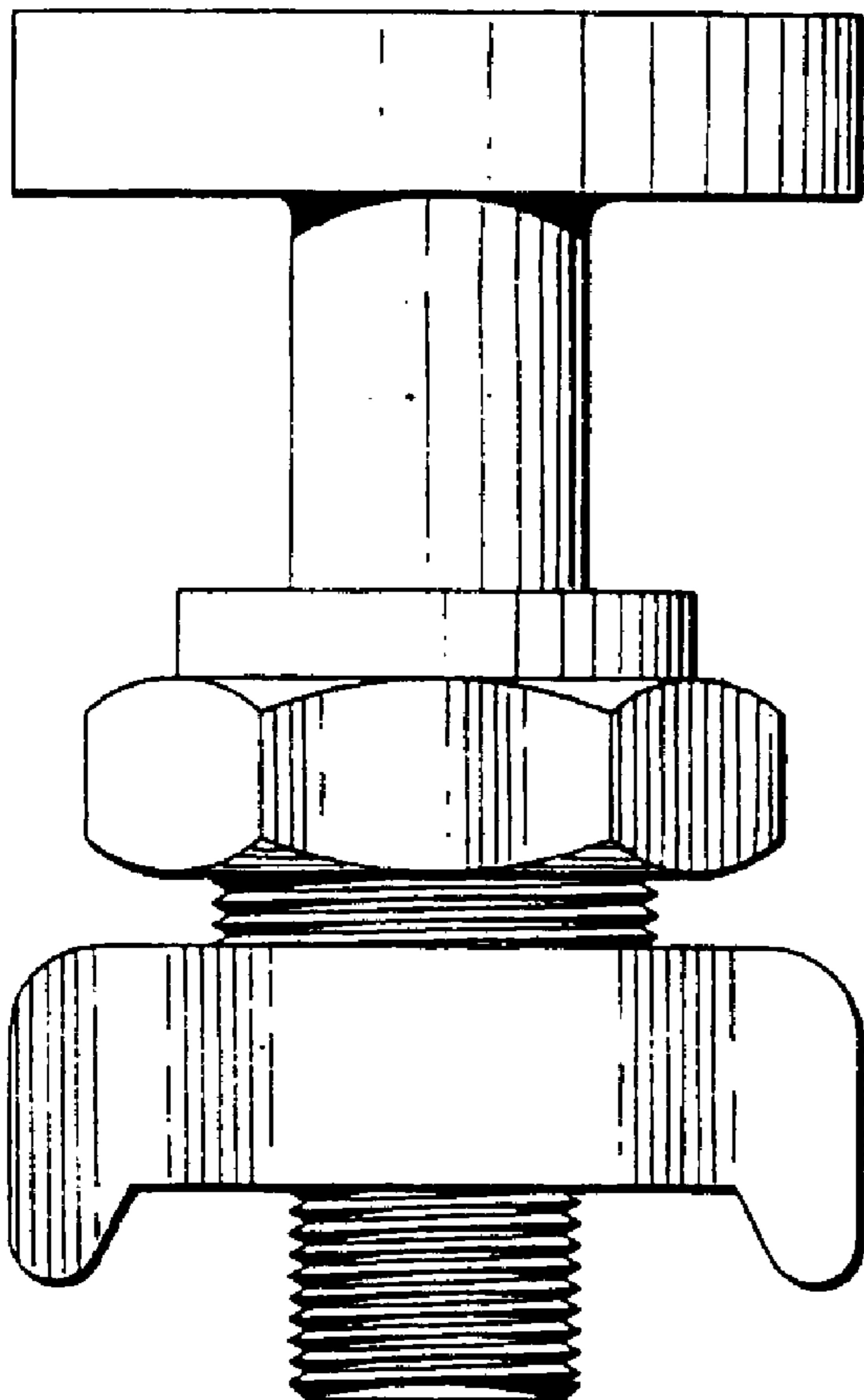
FIG. 4 is a bottom view of the stabilizer of FIG. 1; and,

FIG. 5 is a cross-sectional view taken along line 5—5 of FIG. 2.

The rear view of the stabilizer of the present invention is identical to the front view of FIG. 1.

The left side view of the stabilizer of the present invention is identical to the right side view of FIG. 2.

1 Claim, 2 Drawing Sheets



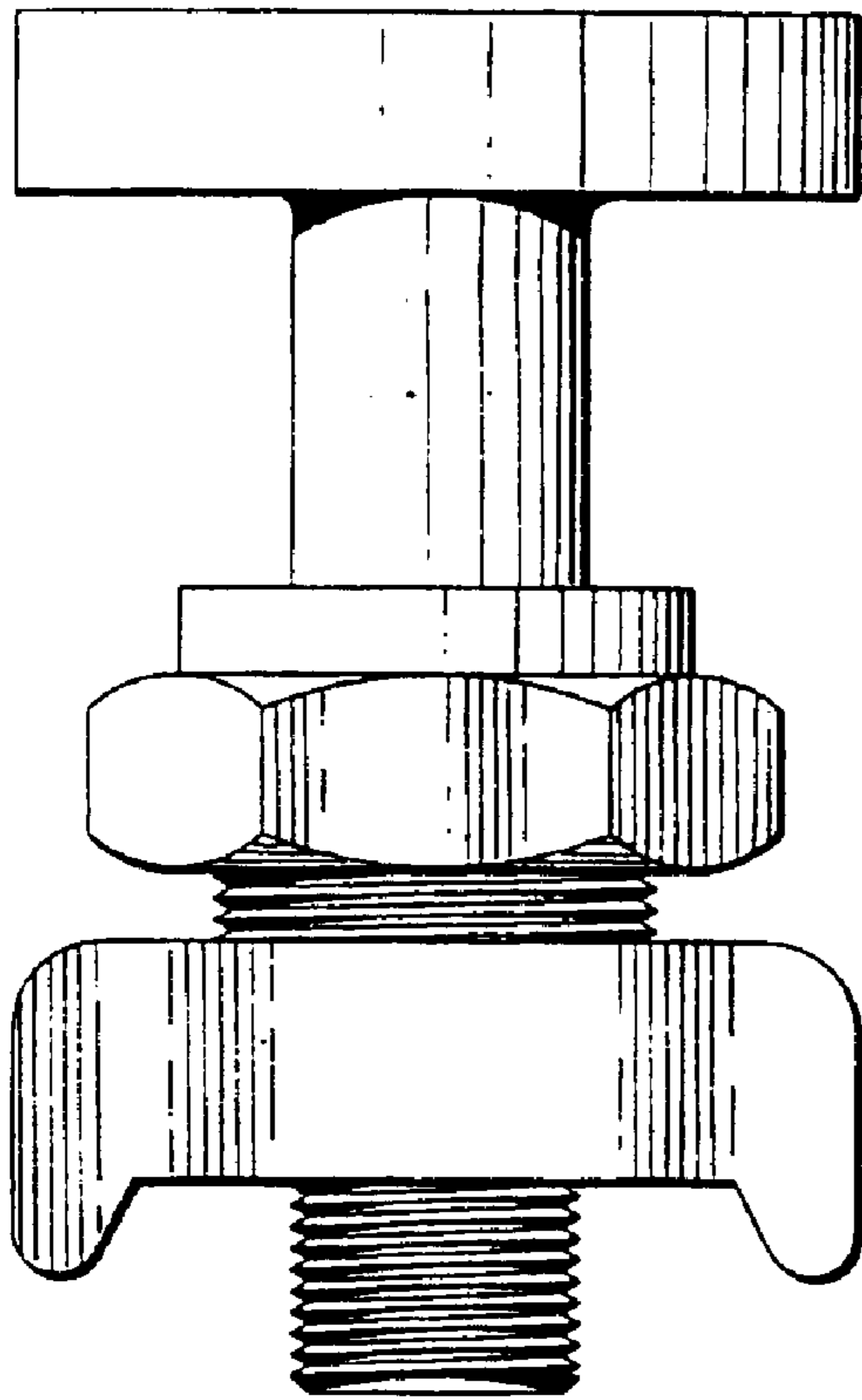


FIG. 1

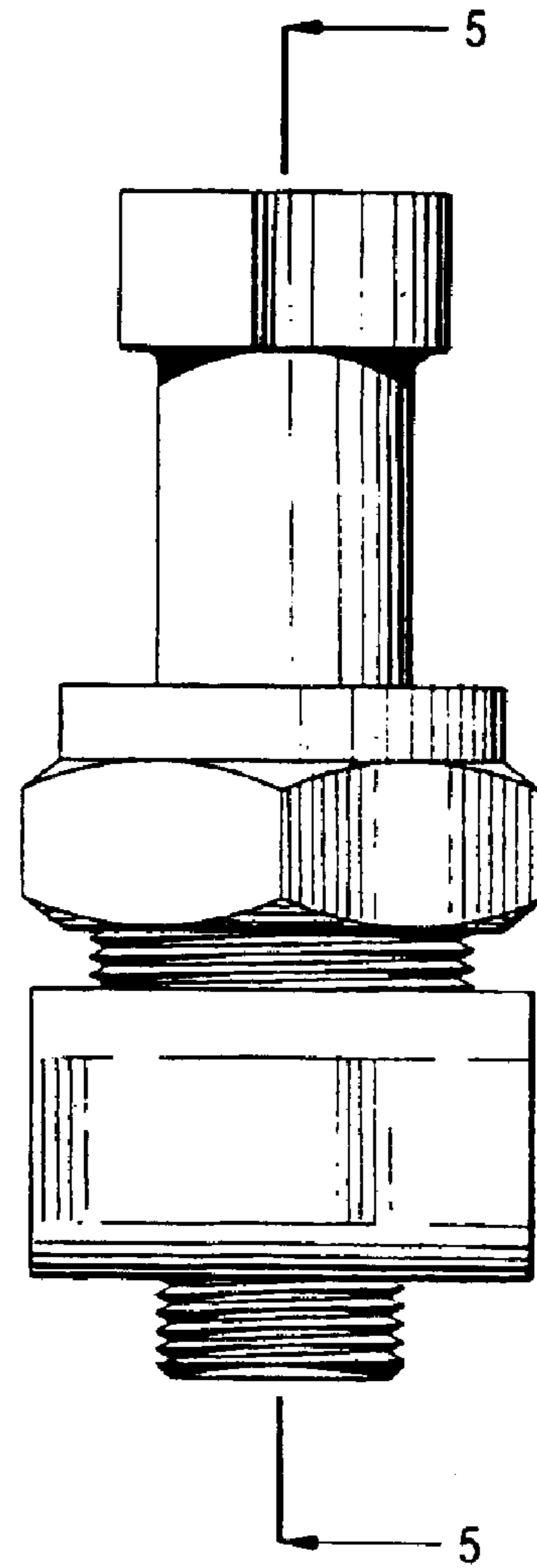


FIG. 2

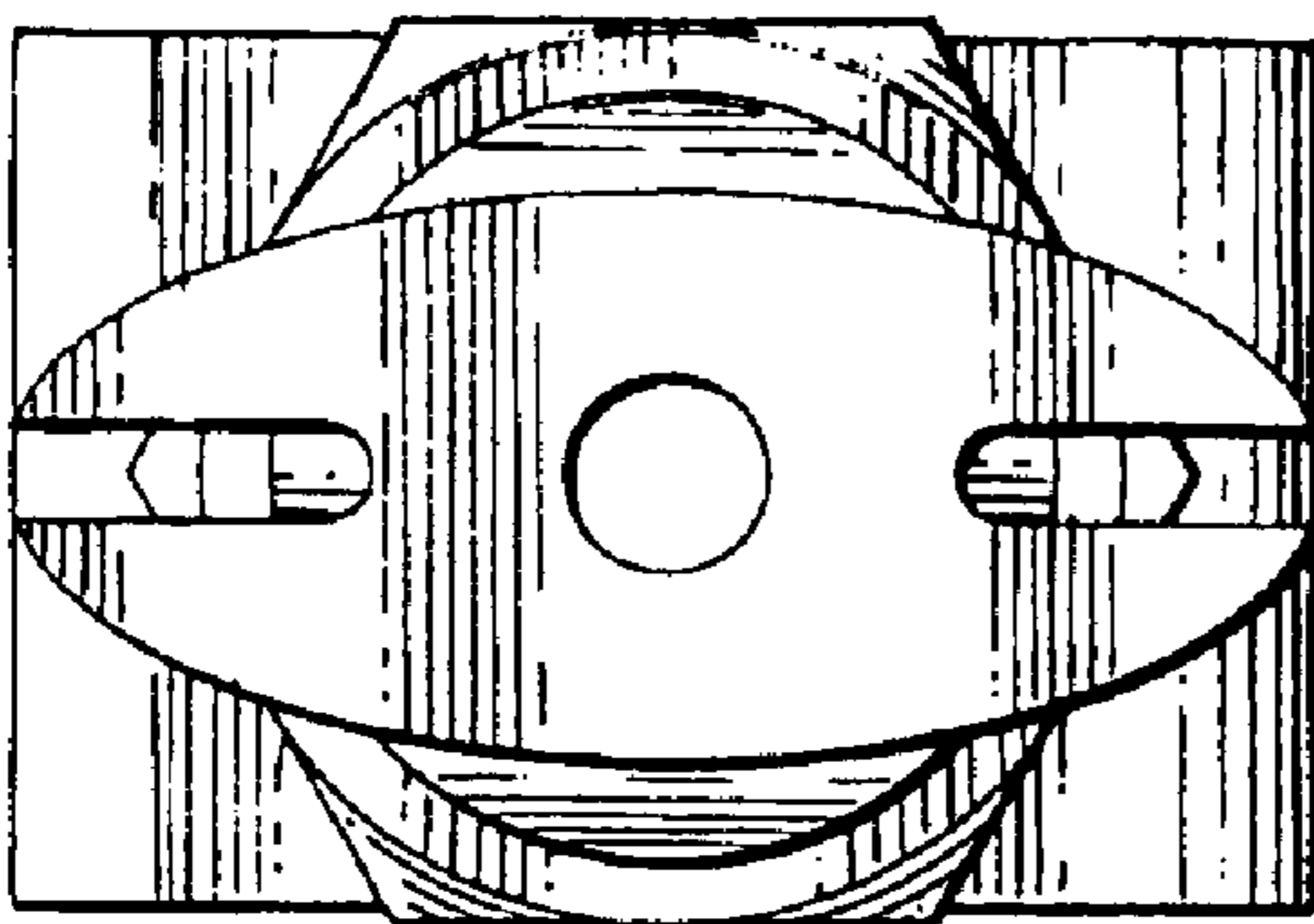


FIG. 3

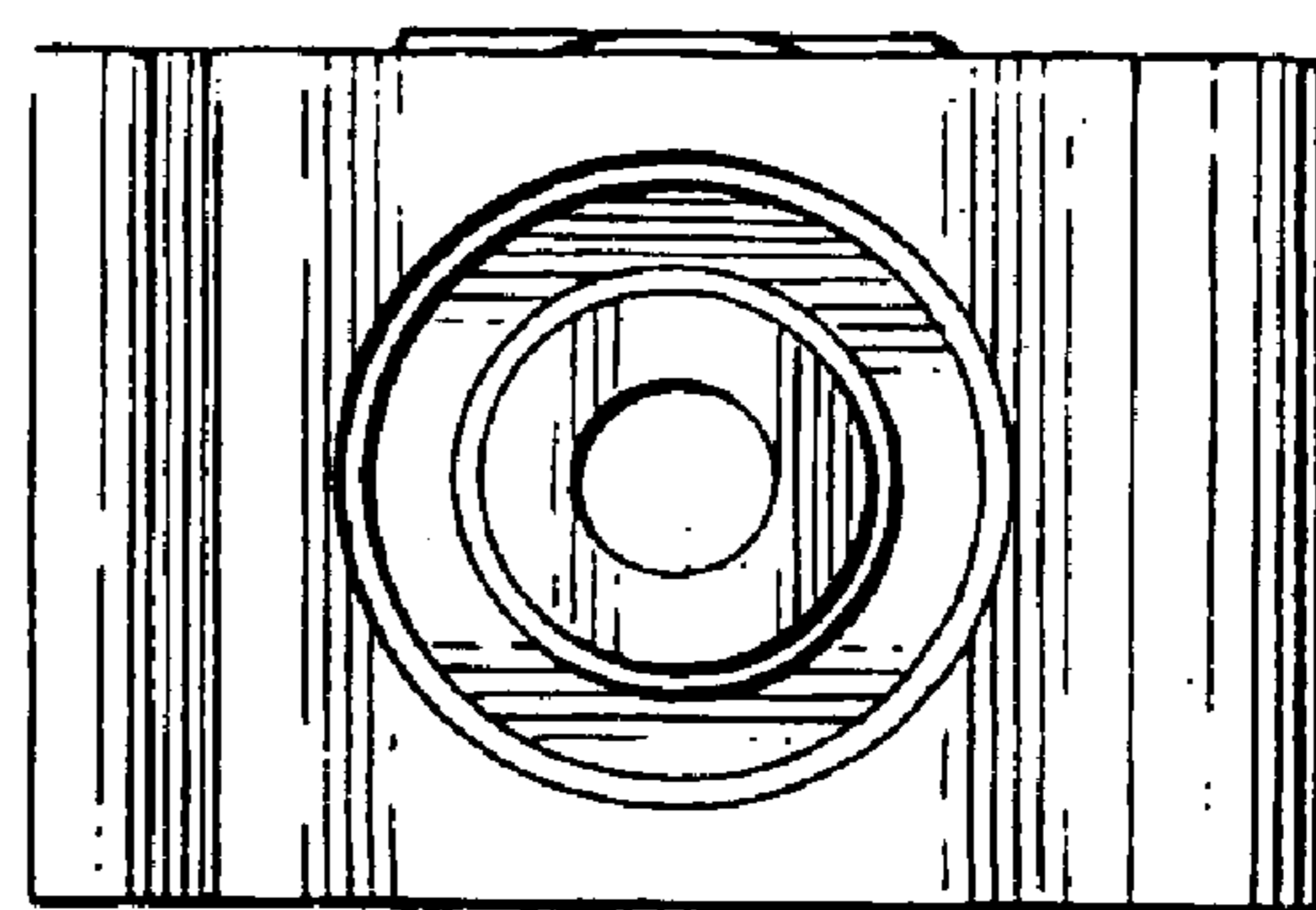


FIG. 4

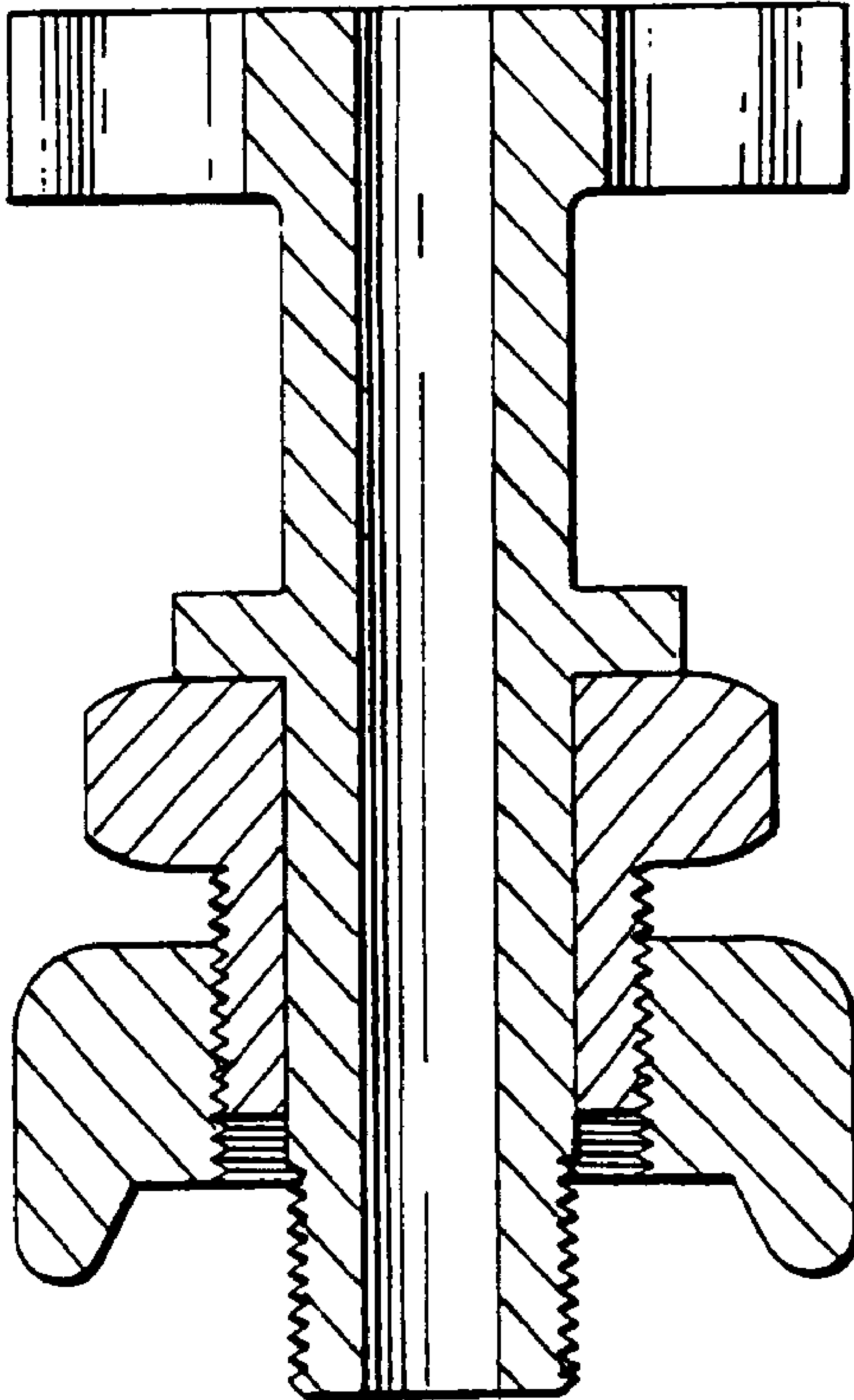


FIG. 5