

US00D541644S

(12) **United States Design Patent**
Aoki

(10) **Patent No.:** **US D541,644 S**
(45) **Date of Patent:** **** May 1, 2007**

(54) **SNAP DEVICE FOR AIRBAG CONTAINER**

FOREIGN PATENT DOCUMENTS

(75) Inventor: **Ryou Aoki**, Yokohama (JP)

WO WO 01/40667 A1 6/2001

(73) Assignee: **Piolax Inc.**, Kanagawa (JP)

* cited by examiner

(**) Term: **14 Years**

Primary Examiner—Catherine R. Oliver

(21) Appl. No.: **29/257,447**

(74) *Attorney, Agent, or Firm*—Westerman, Hattori, Daniels & Adrian, LLP.

(22) Filed: **Apr. 5, 2006**

(57) **CLAIM**

(30) **Foreign Application Priority Data**

The ornamental design for a snap device for airbag container, as shown and described.

Oct. 21, 2005 (JP) 2005-030954

DESCRIPTION

(51) **LOC (8) Cl.** **08-08**

(52) **U.S. Cl.** **D8/383**

(58) **Field of Classification Search** D11/200–231;
D8/382–383; 24/712.6, 713.6, 133, 115 F,
24/712.9, 70 SK, 70 CT, 616, 631–633, 641
See application file for complete search history.

FIG. 1 shows a perspective view of the snap device for airbag container having a female part and a male part; FIG. 2 is a front view, the snap device for airbag container having a female part and a male part, the rear view is a mirror image of the front view; FIG. 3 is a top, plan view of the snap device for airbag container having a female part and a male part; FIG. 4 is a bottom view of the snap device for airbag container having a female part and a male part; FIG. 5 is a right side view of the snap device for airbag container having a female part and a male part; and, FIG. 6 is a left side view of the snap device for airbag container having a female part and a male part.

(56) **References Cited**

U.S. PATENT DOCUMENTS

D453,676 S * 2/2002 Pliml, Jr. D8/383
6,394,695 B1 5/2002 Chausset 403/397
6,431,585 B1 8/2002 Rickabus et al. 280/728
D494,887 S * 8/2004 Walraven D11/200
D521,854 S * 5/2006 Wolfberg D8/383

1 Claim, 3 Drawing Sheets

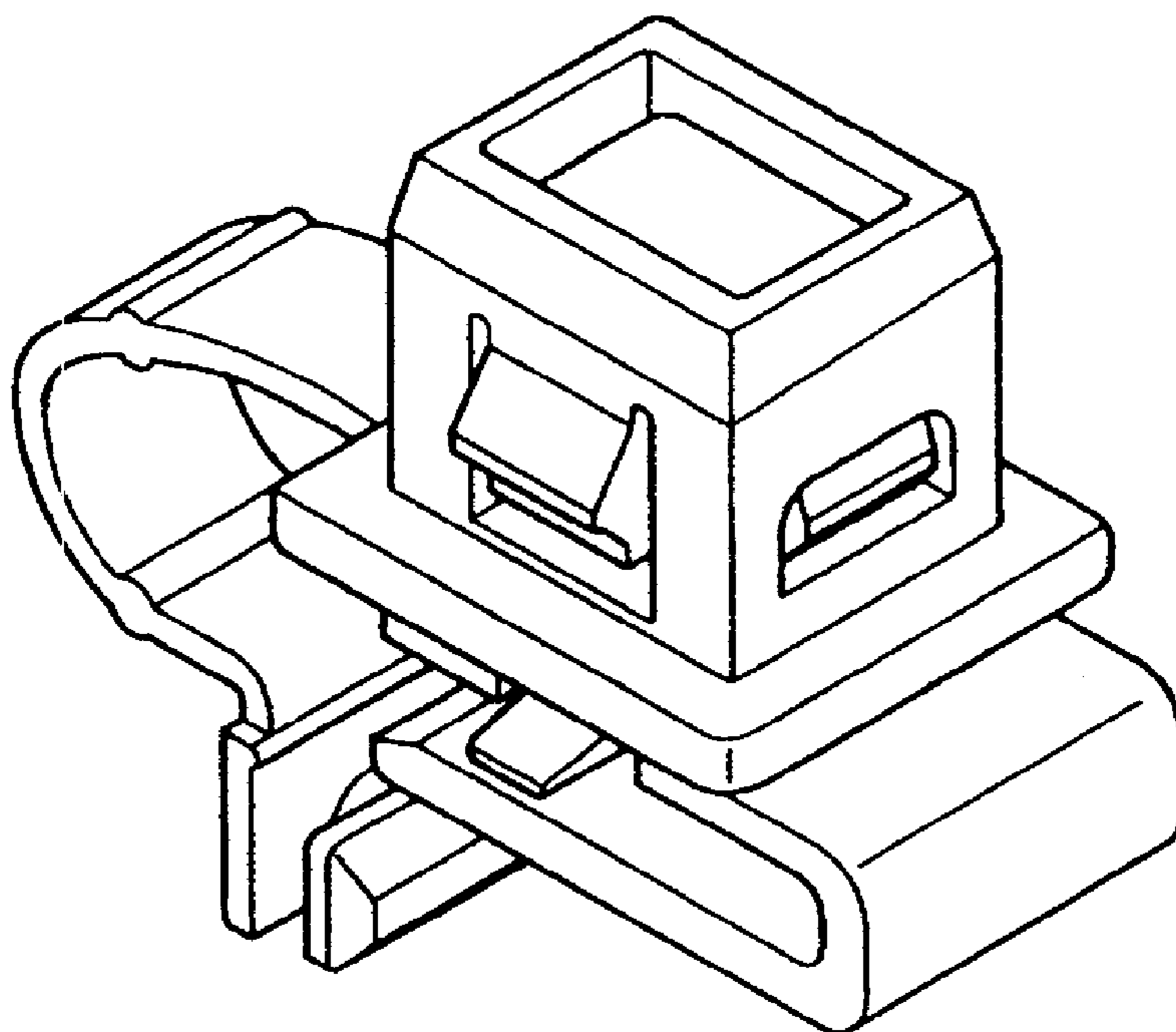


Fig. 1

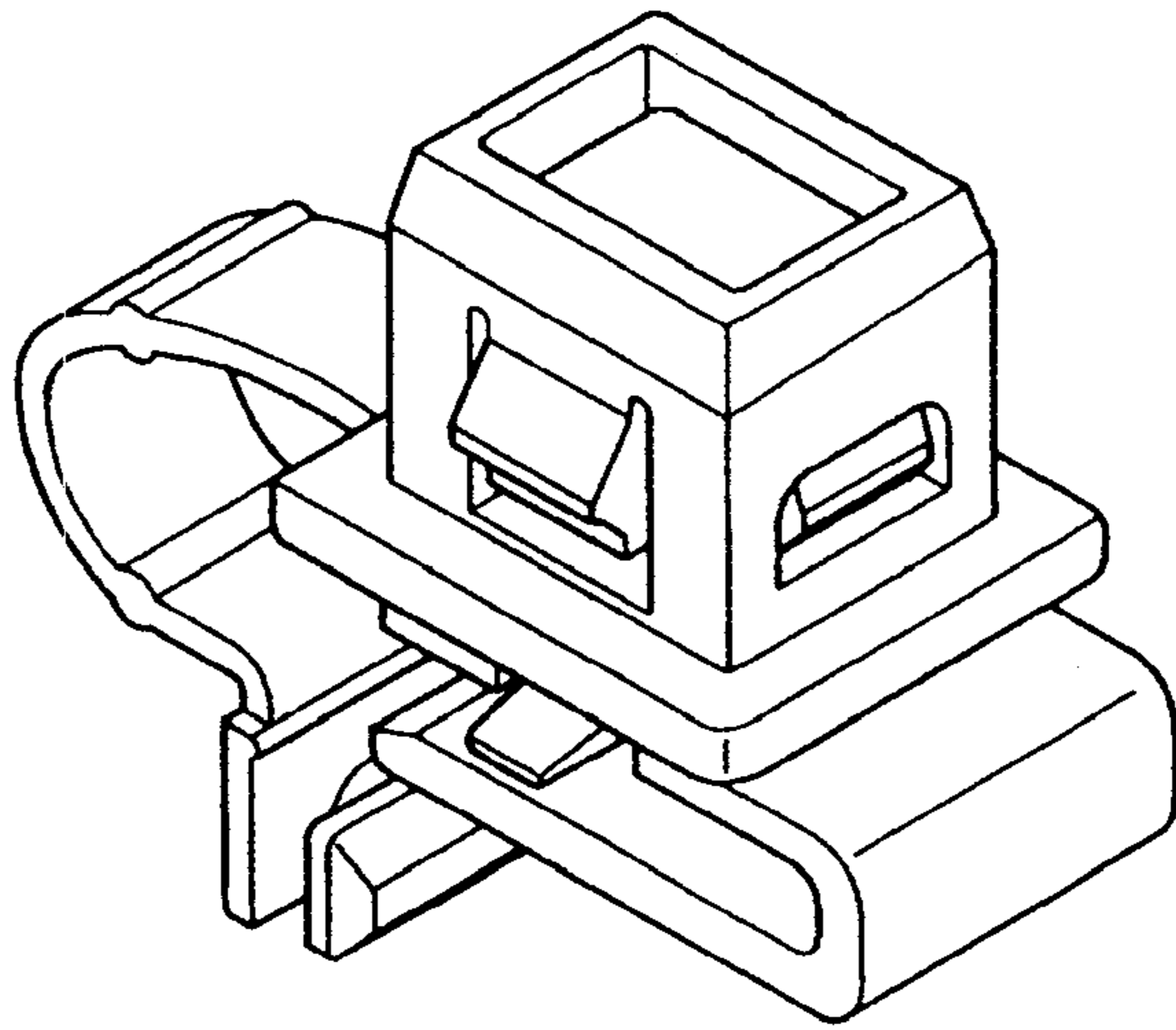


Fig. 2

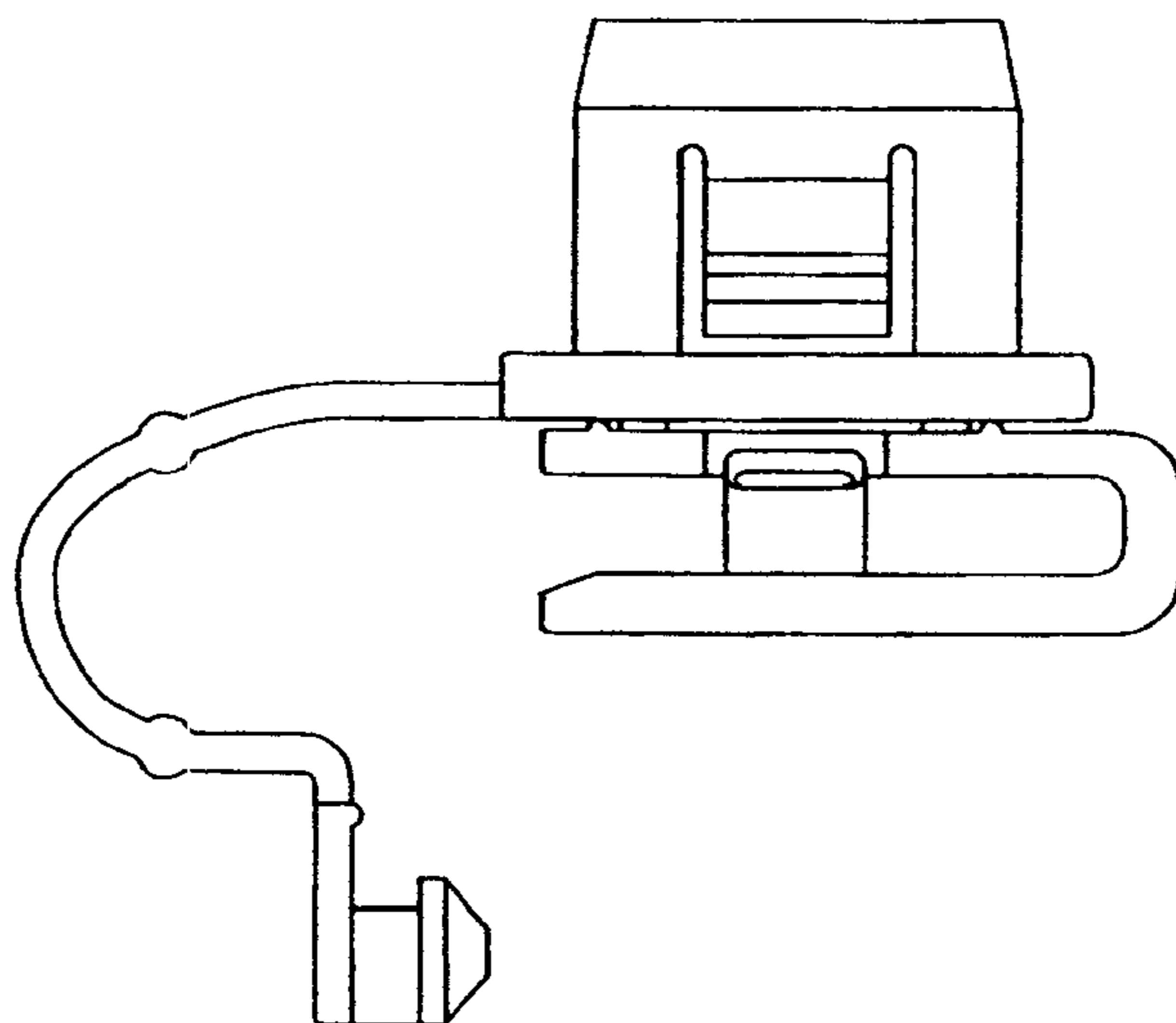


Fig. 3

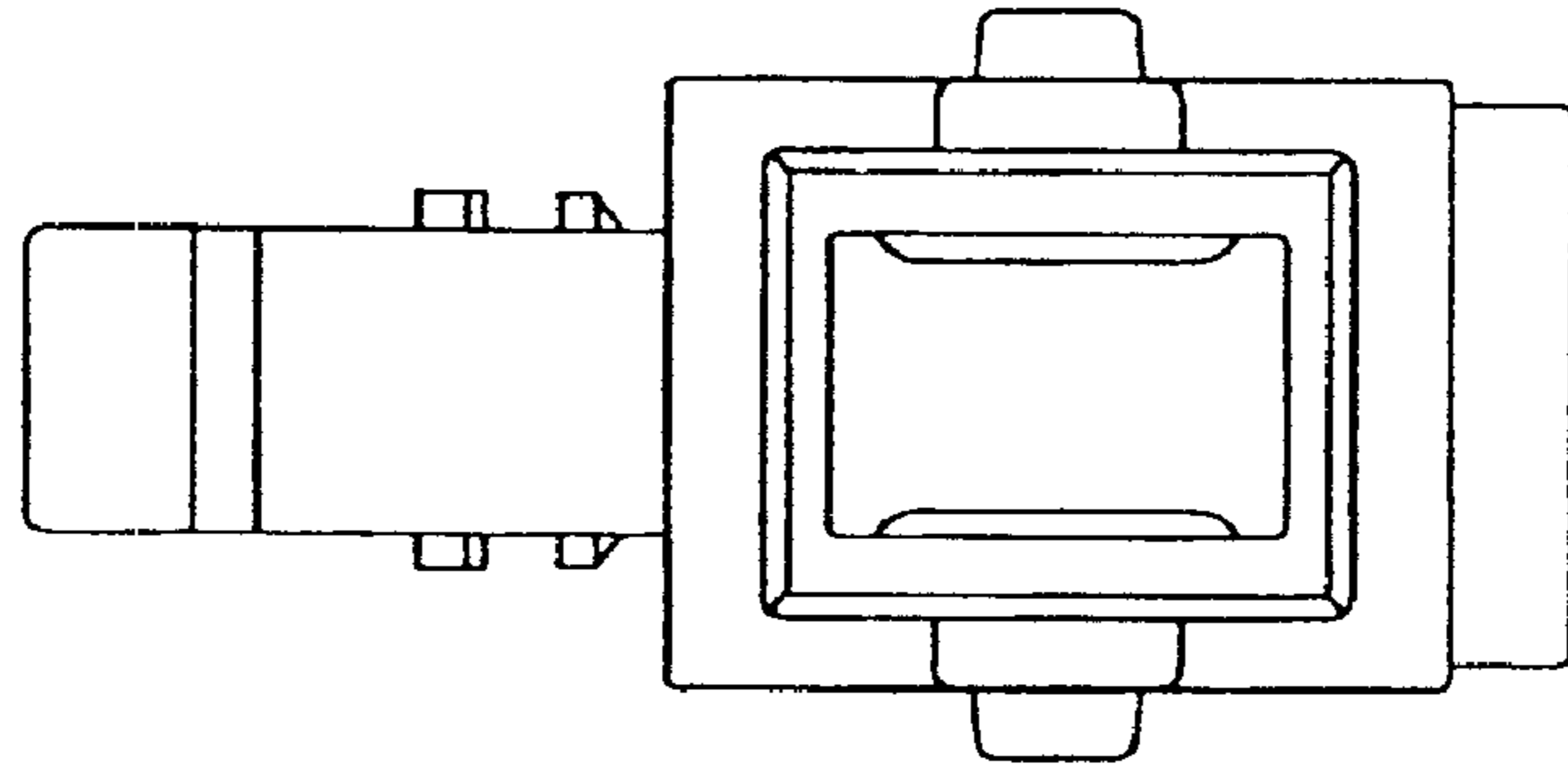


Fig. 4

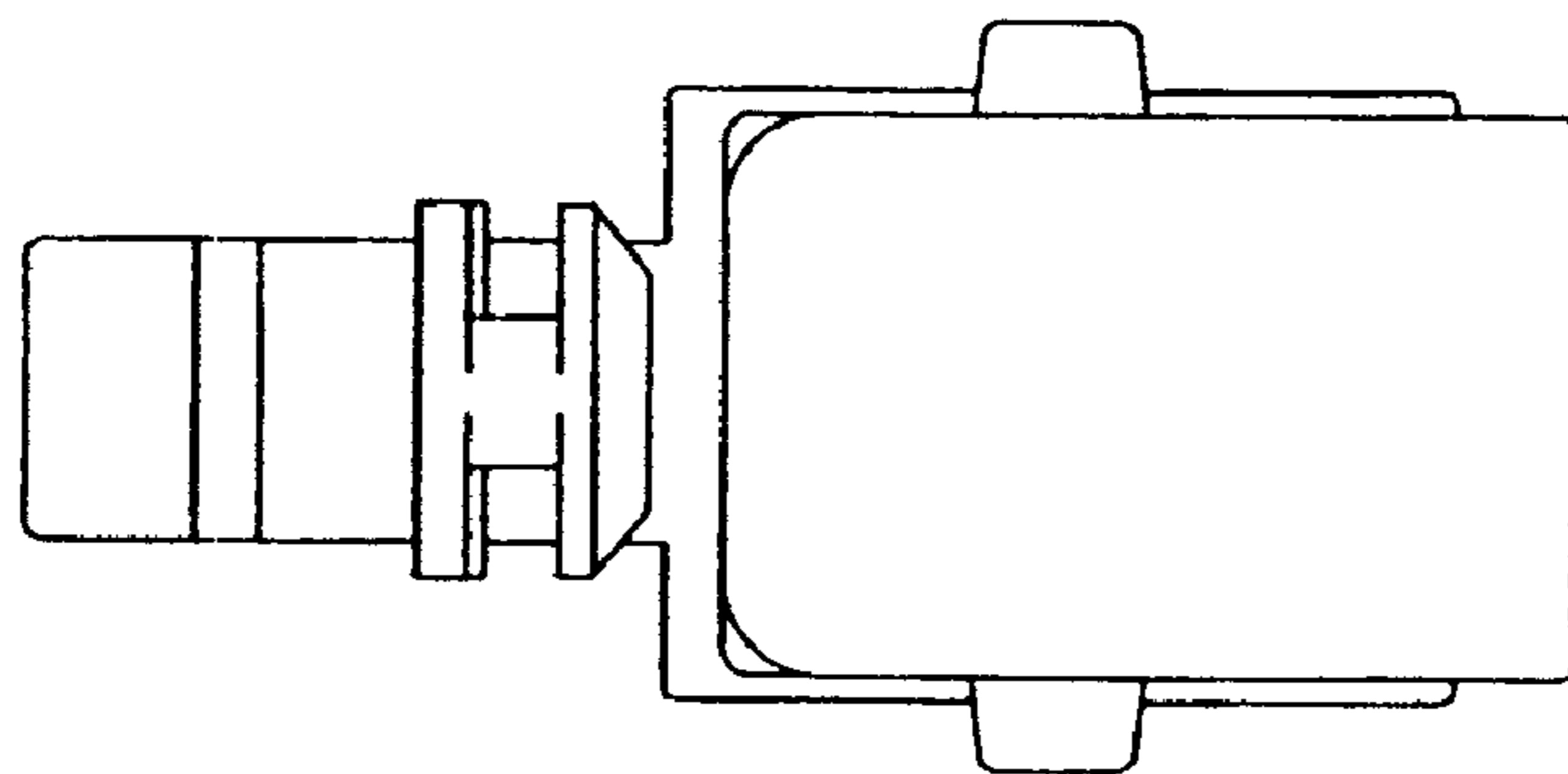


Fig. 5

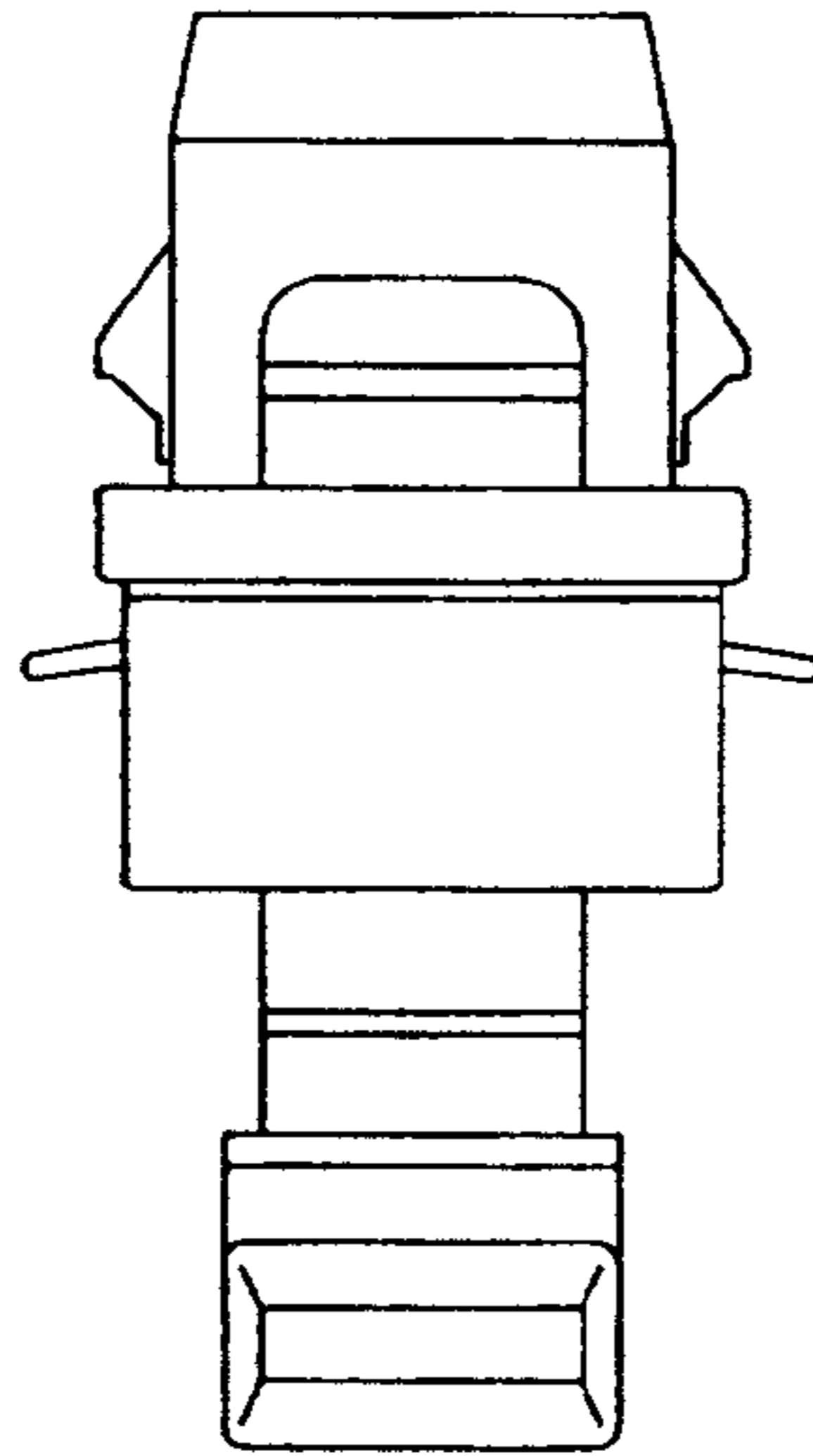


Fig. 6

