

US00D541643S

(12) **United States Design Patent** (10) **Patent No.:** **US D541,643 S**
Eriksson (45) **Date of Patent:** **** May 1, 2007**

(54) **OVER CENTER FASTENER**

(76) Inventor: **Lars Eriksson**, Hättinge 3445, S-635
05 Eskilstuna (SE)

(**) Term: **14 Years**

(21) Appl. No.: **29/265,340**

(22) Filed: **Aug. 30, 2006**

Related U.S. Application Data

(62) Division of application No. 29/205,619, filed on May 19,
2004.

(30) **Foreign Application Priority Data**

Nov. 19, 2003 (EM) 000106851

(51) **LOC (8) Cl.** **08-08**

(52) **U.S. Cl.** **D8/382**

(58) **Field of Classification Search** D8/382,
D8/394, 395; 24/16 PB, 265 H, 599.8, 599.9,
24/599.5, 600.1

See application file for complete search history.

(56) **References Cited**

U.S. PATENT DOCUMENTS

364,572 A *	6/1887	Bradley	24/599.5
1,559,653 A *	11/1925	Stucker et al.	24/599.5
D212,715 S *	11/1968	Fox	D8/394
D365,512 S *	12/1995	Mason	D8/394
5,694,668 A *	12/1997	Rohlf	24/599.5

* cited by examiner

Primary Examiner—Holly H. Baynham
(74) *Attorney, Agent, or Firm*—Birch, Stewart, Kolasch,
and Birch, LLP

(57) **CLAIM**

The ornamental design for an over center fastener, as shown
and described.

DESCRIPTION

FIG. 1 is a bottom plan view of a first embodiment of an over
center fastener, showing my new design;

FIG. 2 is a left side view of the first embodiment, showing
the over center fastener in an extended position;

FIG. 3 is a left side view of the first embodiment;

FIG. 4 is a front elevational view of the first embodiment;

FIG. 5 is right side view of the first embodiment;

FIG. 6 is a rear elevational view of the first embodiment; and

FIG. 7 is a top plan view of the first embodiment;

FIG. 8 is a bottom plan view of a second embodiment of an
over center fastener with a safety catch, showing my new
design;

FIG. 9 is a left side view of the second embodiment,
showing the over center fastener in an extended position;

FIG. 10 is a left side view of the second embodiment;

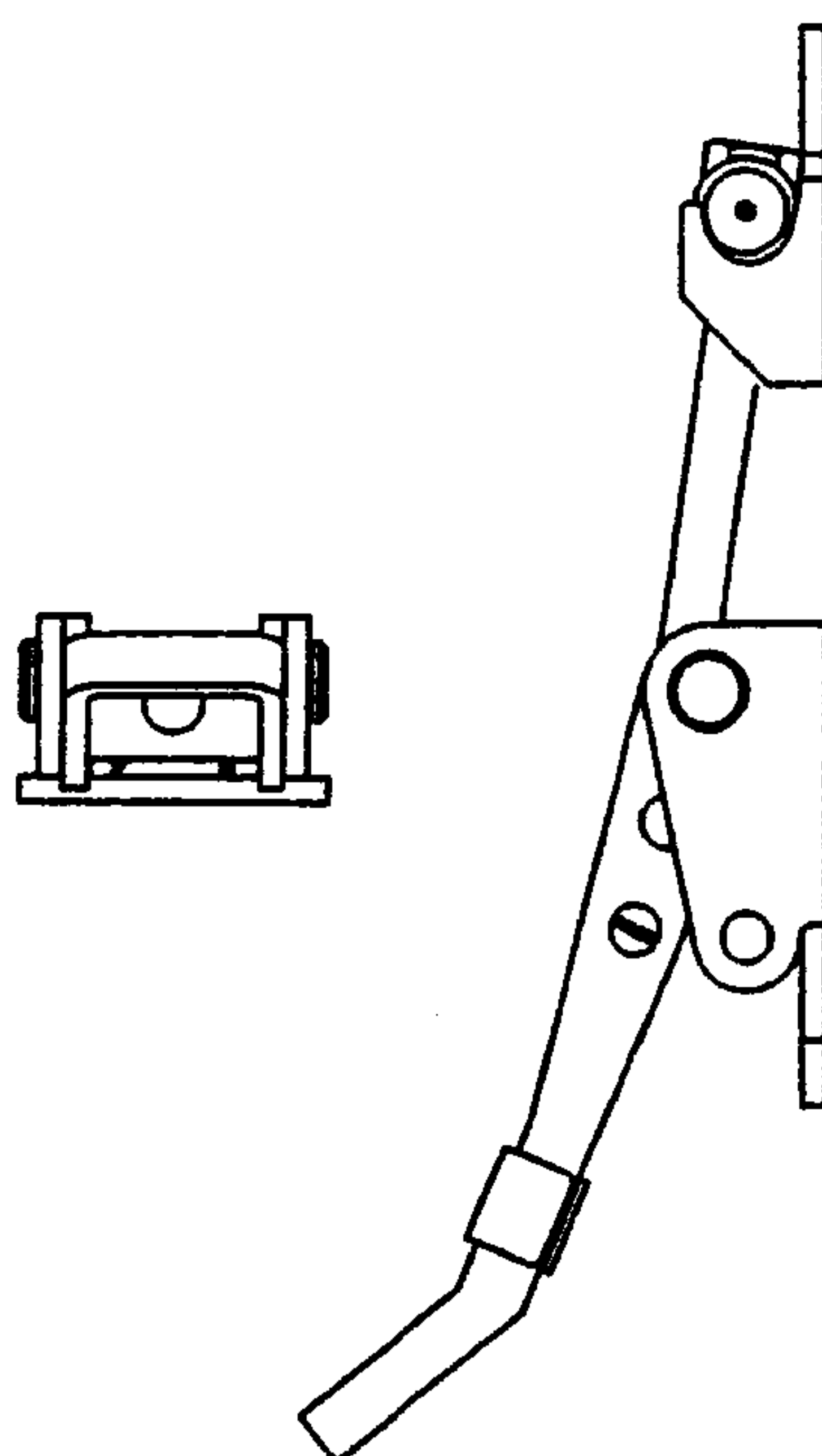
FIG. 11 is a front elevational view of the second embodi-
ment;

FIG. 12 is right side view of the second embodiment;

FIG. 13 is a rear elevational view of the second embodi-
ment;
and,

FIG. 14 is a top plan view of the second embodiment.

1 Claim, 4 Drawing Sheets



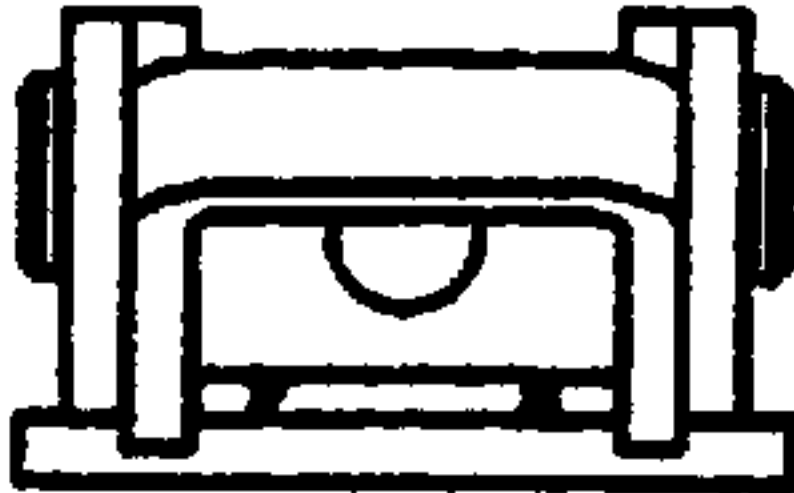


Fig. 1

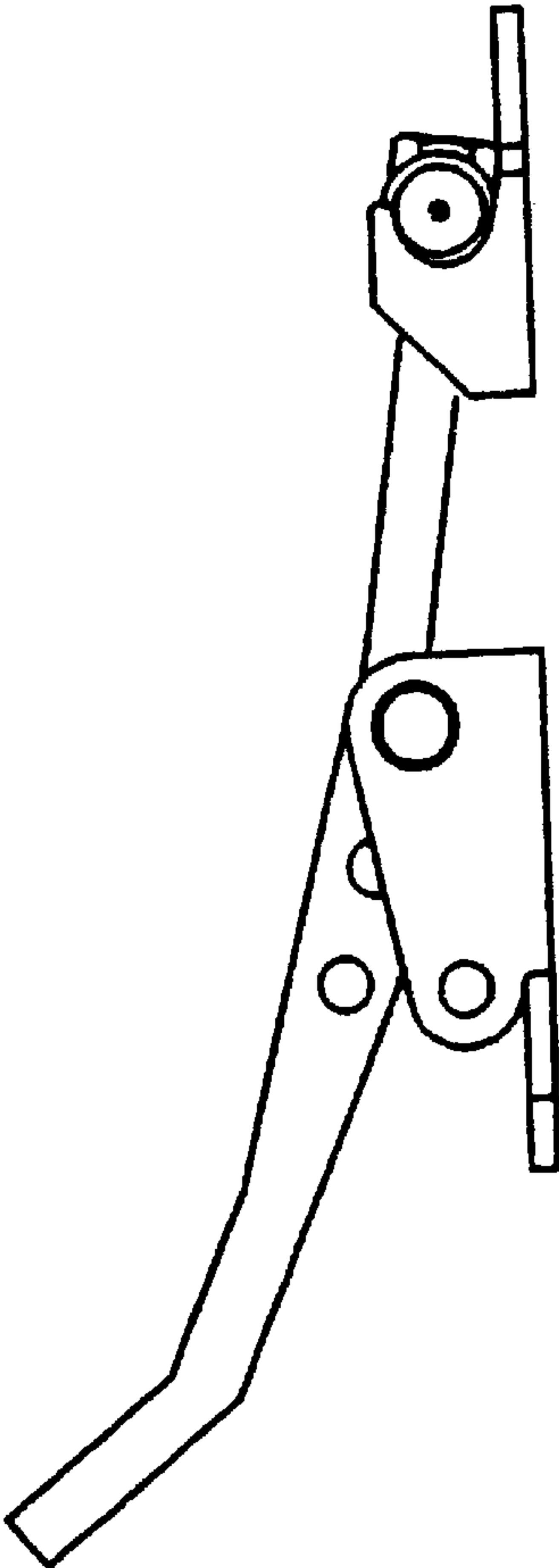


Fig. 2



Fig. 3

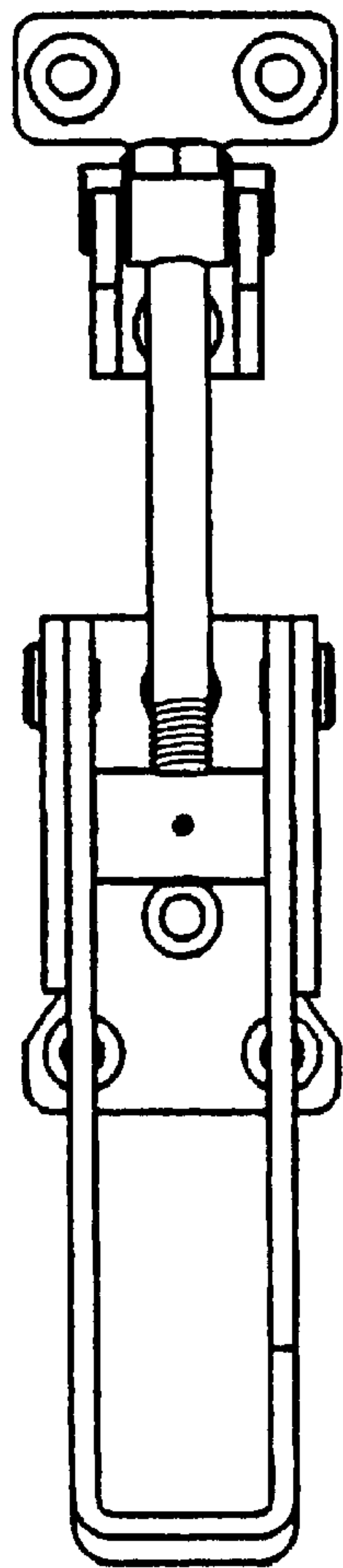


Fig. 4

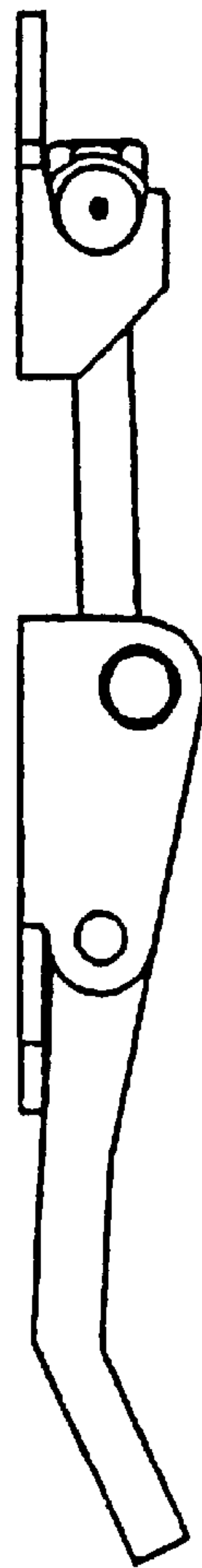


Fig. 5

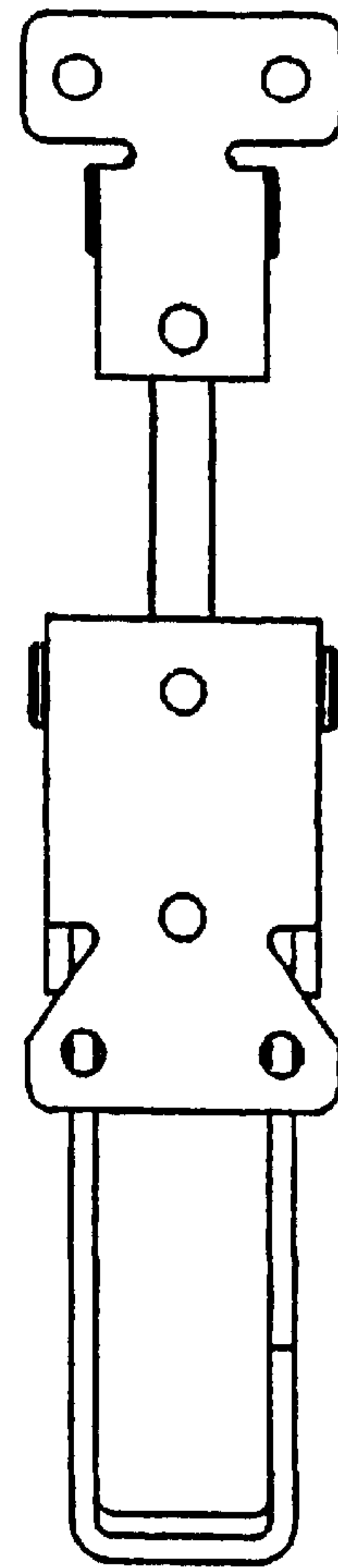


Fig. 6

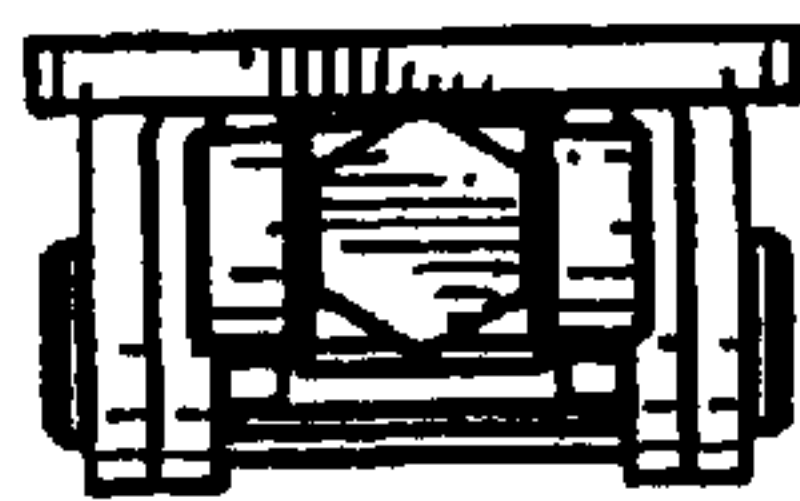


Fig. 7

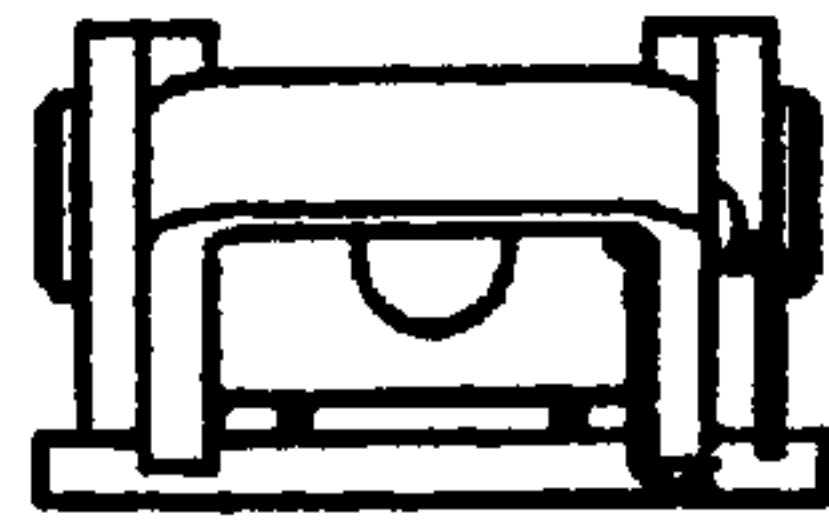


Fig. 8

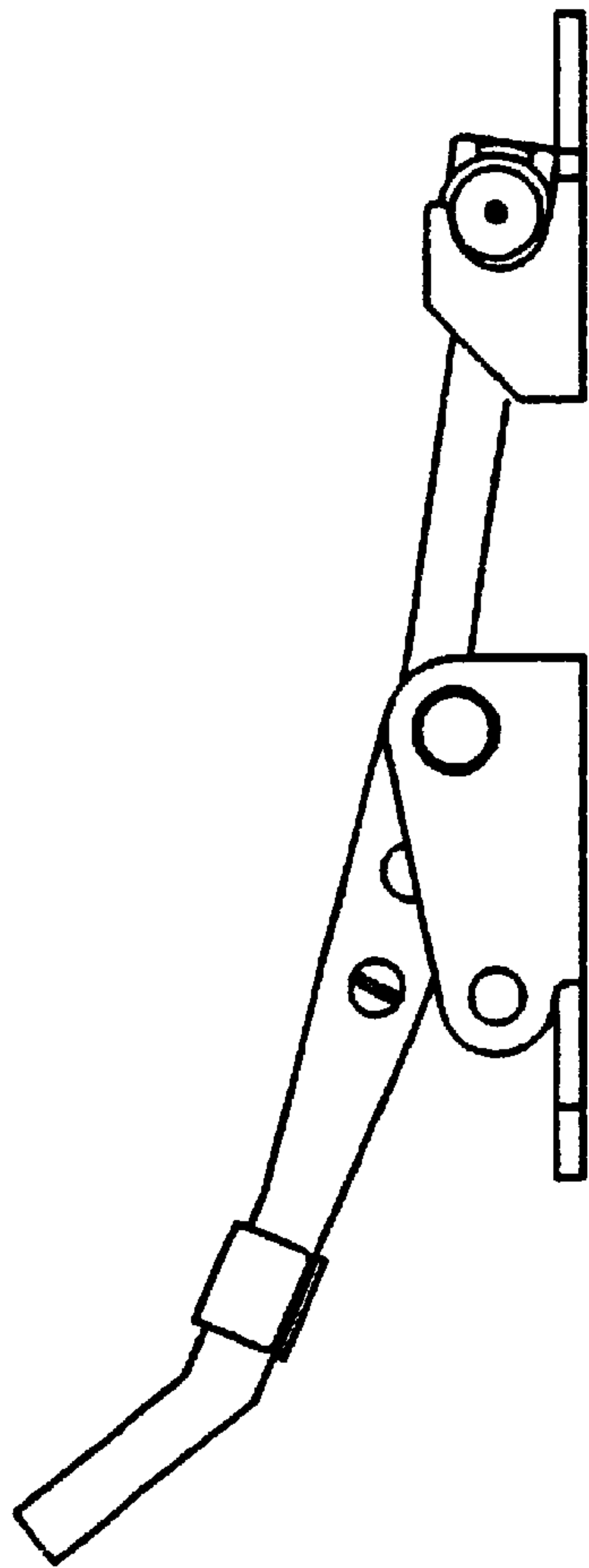


Fig. 9

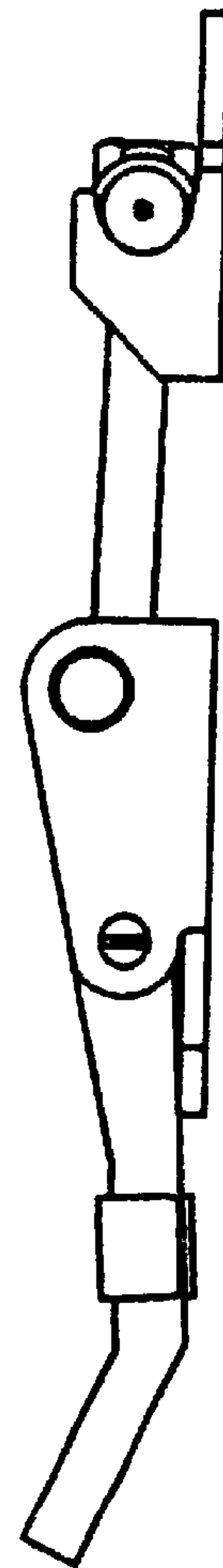


Fig. 10

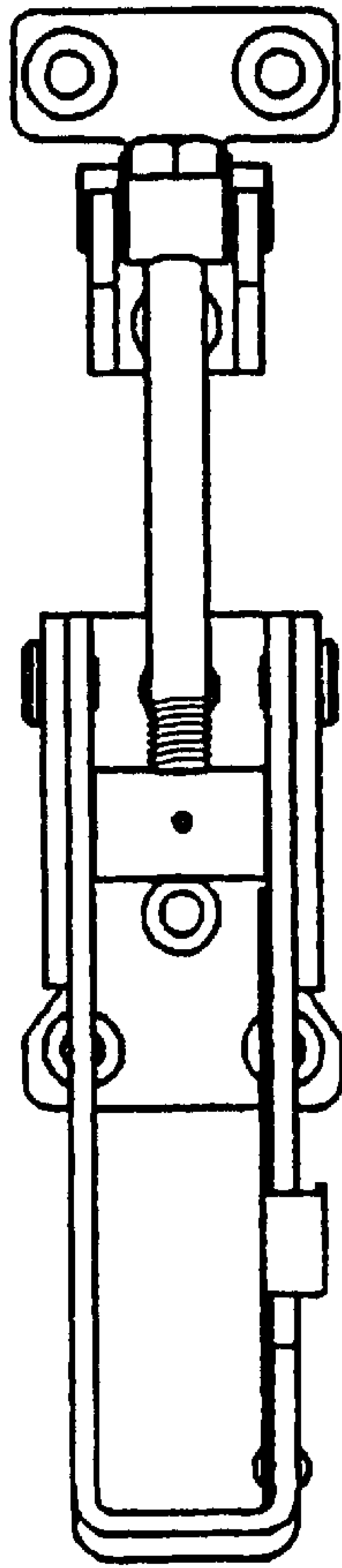


Fig. 11

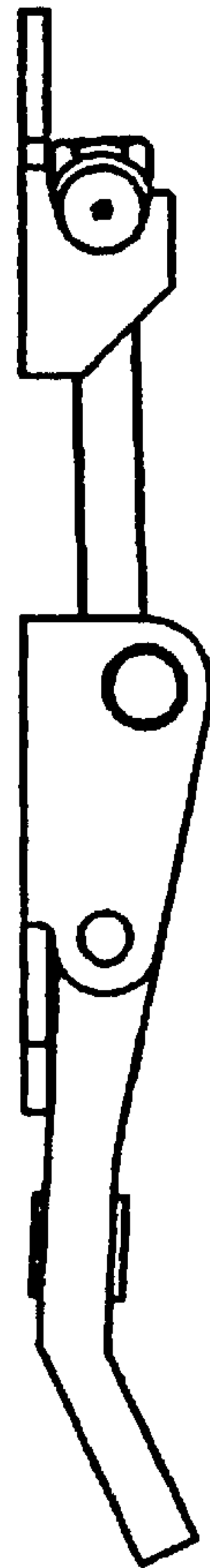


Fig. 12

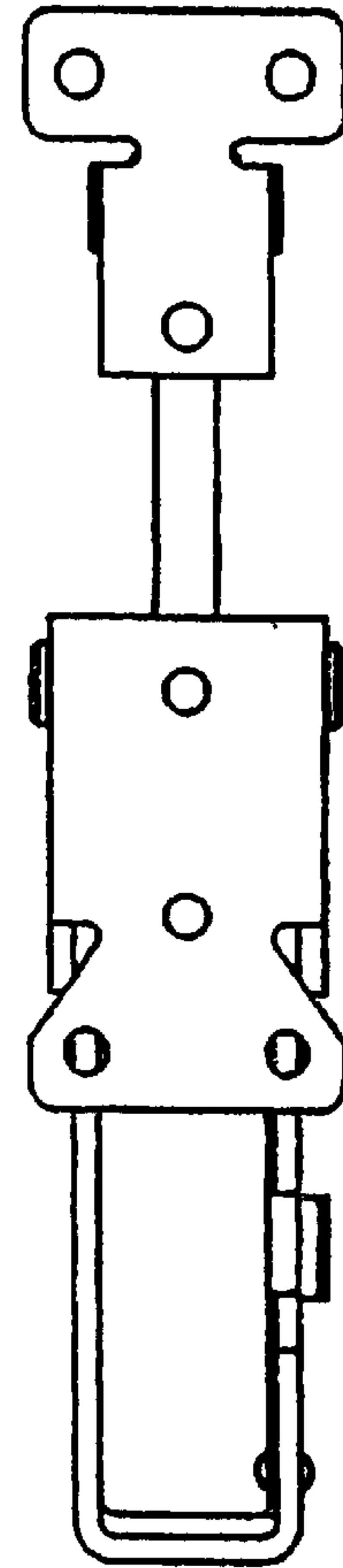


Fig. 13



Fig. 14