



US00D541641S

(12) **United States Design Patent**  
**Heindl**

(10) **Patent No.:** **US D541,641 S**

(45) **Date of Patent:** **\*\* May 1, 2007**

(54) **CONNECTING ELEMENT FOR SHEET PILES**

(75) Inventor: **Richard Heindl**, Munich (DE)

(73) Assignee: **PilePro, LLC**, Rapid City, SD (US)

(\*\*) Term: **14 Years**

(21) Appl. No.: **29/259,796**

(22) Filed: **May 16, 2006**

(30) **Foreign Application Priority Data**

Nov. 16, 2005 (EM) ..... I 000432257

(51) **LOC (8) Cl.** ..... **08-08**

(52) **U.S. Cl.** ..... **D8/382**

(58) **Field of Classification Search** ..... D8/382;  
D25/119; 403/363, 357, 381; 405/70, 278,  
405/279; 24/573.09, 346, 370, 597, 598.5  
See application file for complete search history.

(56) **References Cited**

**U.S. PATENT DOCUMENTS**

- 3,302,412 A \* 2/1967 Hunsucker ..... 405/278
- 3,688,508 A \* 9/1972 Taylor ..... 405/278
- D242,034 S \* 10/1976 Drawsky ..... D25/119

- D242,035 S \* 10/1976 Drawsky ..... D25/119
- D242,138 S \* 11/1976 Drawsky ..... D25/119
- D270,186 S \* 8/1983 Jones ..... D25/119
- D283,353 S \* 4/1986 Bancroft ..... D25/119
- 5,437,520 A \* 8/1995 Cherry et al. .... 405/279
- 6,053,666 A \* 4/2000 Irvine et al. .... 405/279
- 6,282,762 B1 \* 9/2001 Wall ..... 24/573.09
- D472,455 S \* 4/2003 Wall ..... D8/382
- D517,905 S \* 3/2006 Wall ..... D8/382
- D521,365 S \* 5/2006 Wall ..... D8/382
- 2002/0102131 A1 \* 8/2002 Wall ..... 403/363

\* cited by examiner

*Primary Examiner*—Holly H. Baynham

*Assistant Examiner*—Cynthia M. Chin

(74) *Attorney, Agent, or Firm*—Milde & Hoffberg, LLP

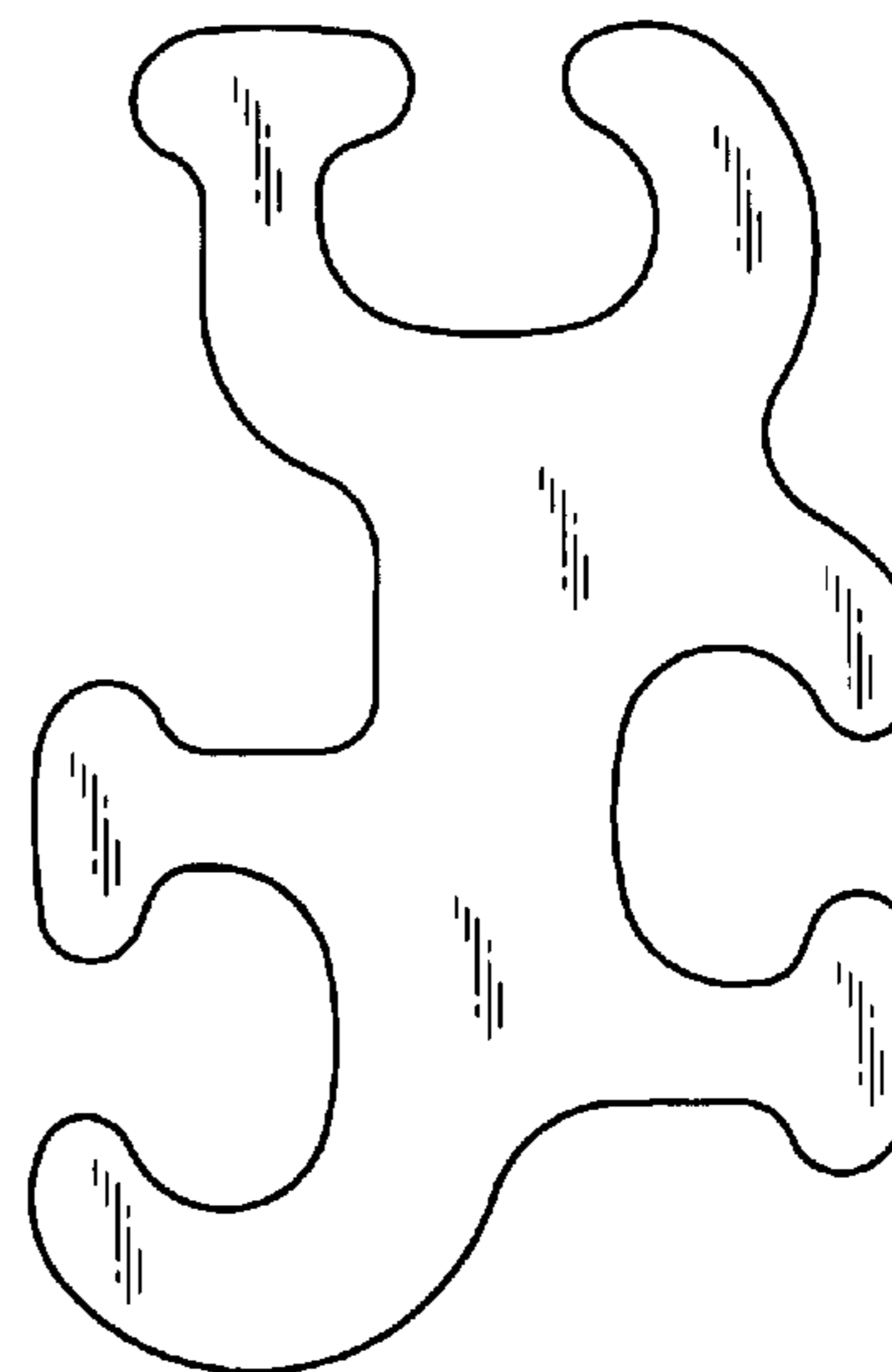
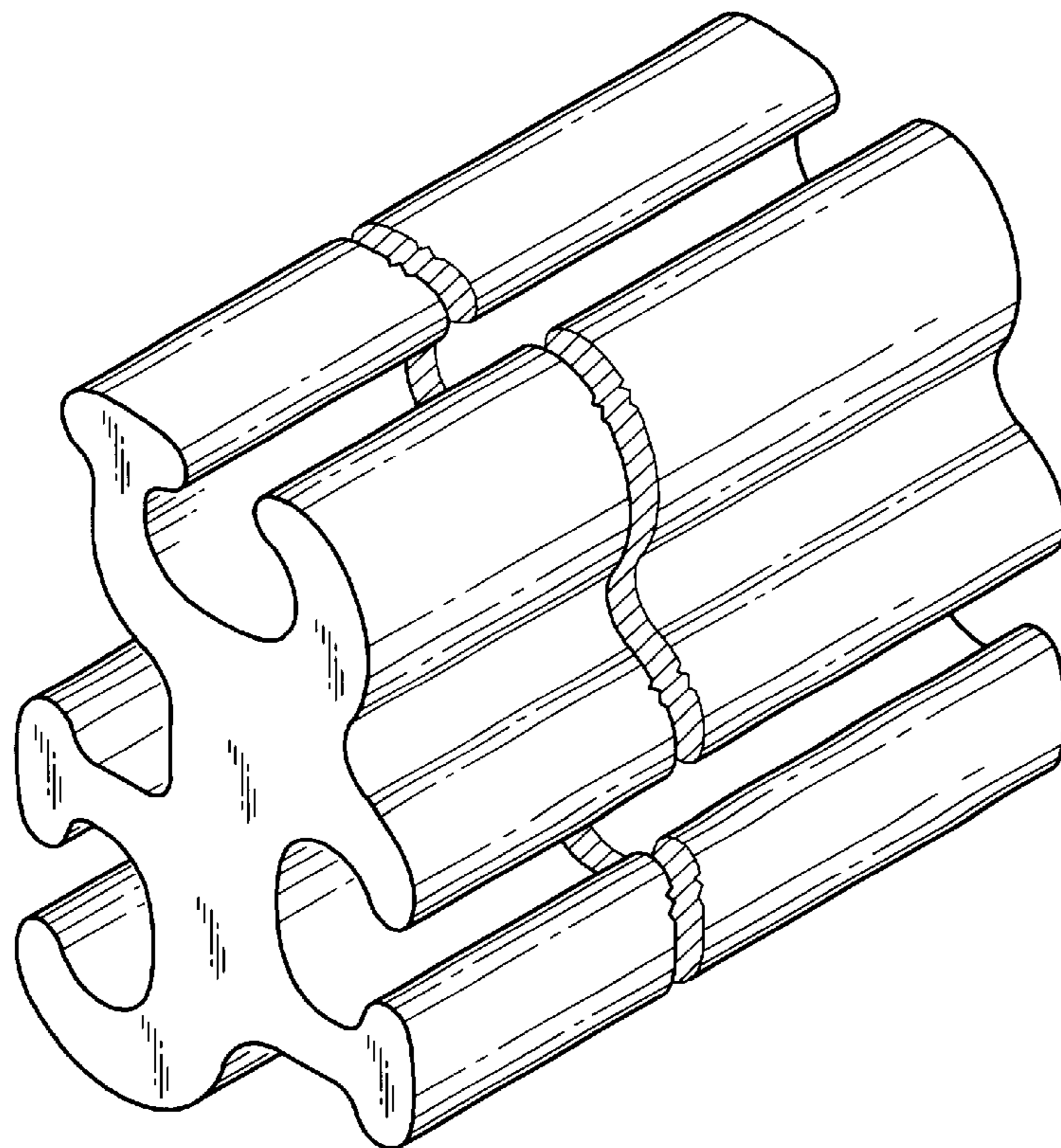
(57) **CLAIM**

The ornamental design for a connecting element for sheet piles, as shown and described.

**DESCRIPTION**

FIG. 1 is a perspective view of the connecting element for sheet piles according to my new design. The connecting element is shown separated and bound by a bracket to indicate indeterminate length; and, FIG. 2 an end view of the connecting element of FIG. 1.

**1 Claim, 1 Drawing Sheet**



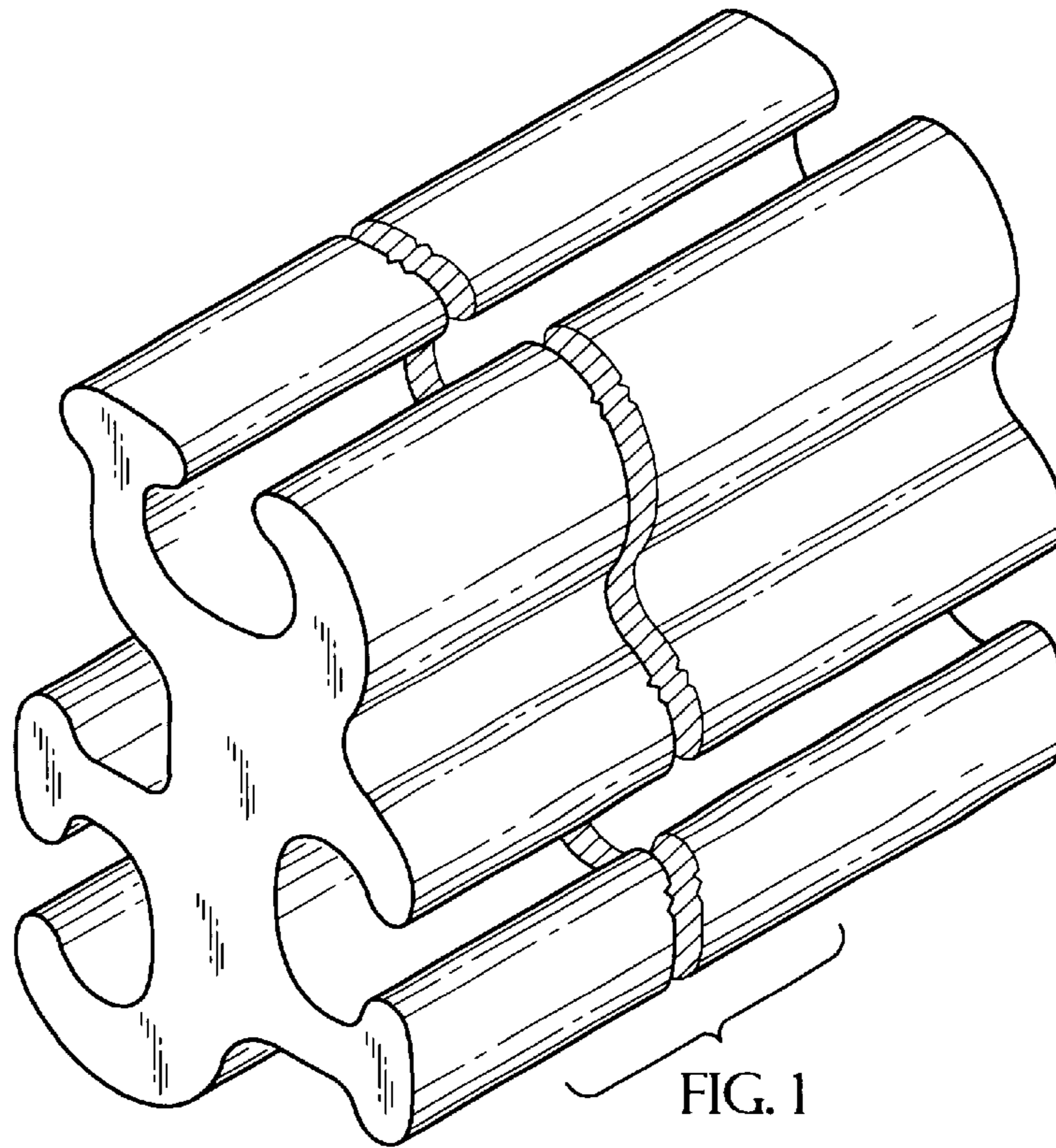


FIG. 1

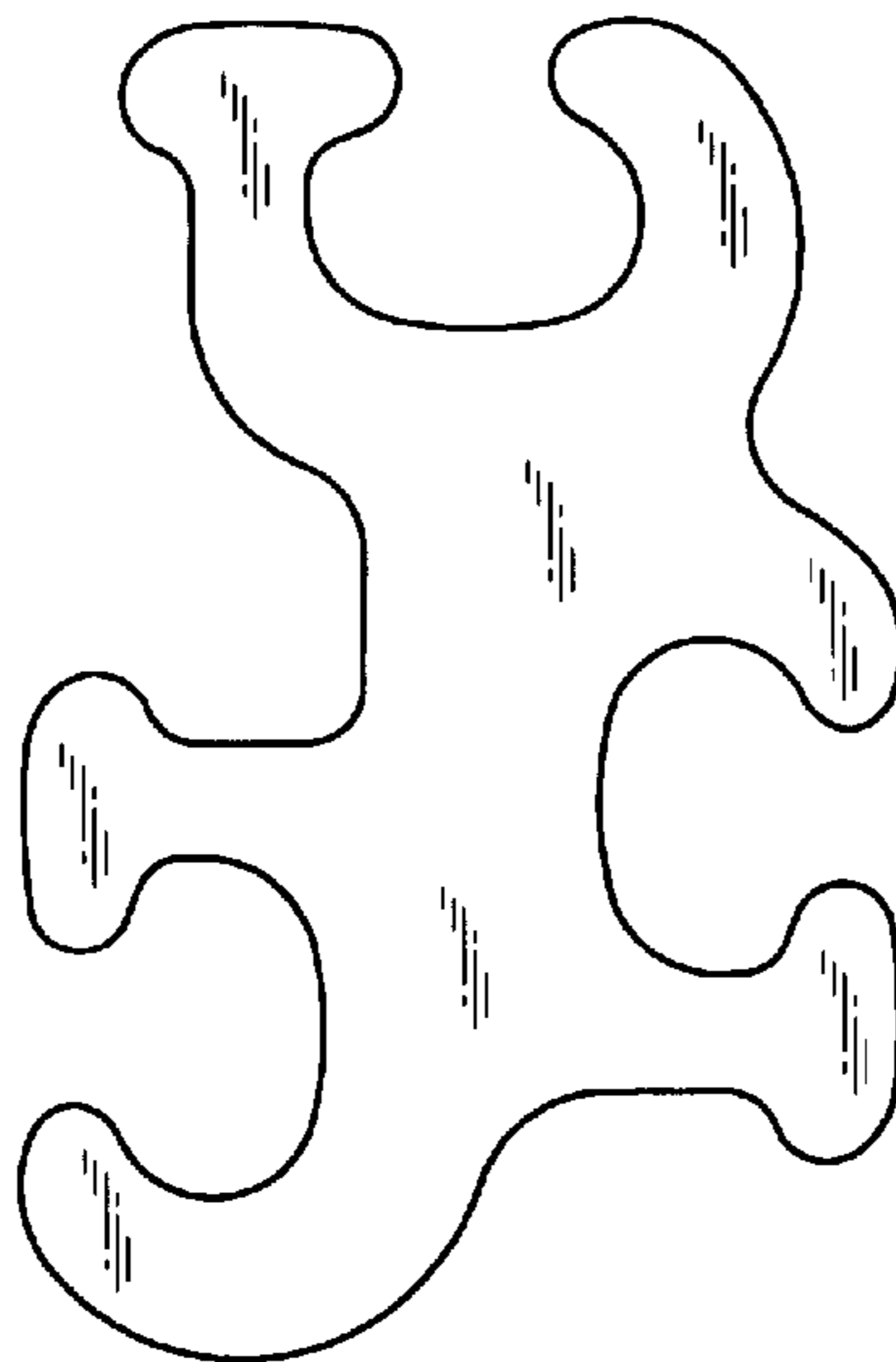


FIG. 2