

US00D541636S

(12) **United States Design Patent**
Walker et al.

(10) **Patent No.:** **US D541,636 S**
(45) **Date of Patent:** **** May 1, 2007**

(54) **GUTTER HANGER**

(75) Inventors: **Simon Walker**, White Rock (CA);
Frank Fan, Vancouver (CA); **Karen**
Zhu, Vancouver (CA)

(73) Assignee: **Peak Innovations Inc.**, Richmond (CA)

(**) Term: **14 Years**

(21) Appl. No.: **29/233,898**

(22) Filed: **Jul. 12, 2005**

(30) **Foreign Application Priority Data**

Jan. 20, 2005 (CA) 109784

(51) **LOC (8) Cl.** **08-05**

(52) **U.S. Cl.** **D8/373**

(58) **Field of Classification Search** D8/354,
D8/373; 248/48.1, 48.2; 52/11
See application file for complete search history.

(56) **References Cited**

U.S. PATENT DOCUMENTS

3,150,851	A	*	9/1964	Ritchie et al.	248/48.2
4,210,301	A	*	7/1980	Weiss	248/48.2
4,294,422	A		10/1981	Odekirk		
4,313,693	A		2/1982	Follows		
4,345,731	A	*	8/1982	Rowe	248/48.2
D288,282	S	*	2/1987	Sheets	D8/373
5,004,191	A	*	4/1991	Corry	248/48.2
5,271,192	A		12/1993	Nothum, Sr.		
5,570,860	A		11/1996	Schoenherr		

6,254,039	B1	7/2001	Zimmerman
D481,929	S	11/2003	McNichol
6,658,796	B1	12/2003	Higgins
6,726,155	B1	4/2004	Zimmerman

FOREIGN PATENT DOCUMENTS

CA	654296	12/1962
CA	846059	7/1970
CA	956775	10/1974
CA	967541	5/1975
CA	1225225	8/1987
CA	2025443	4/1991
CA	731848	4/1996
CA	2189116	5/1997

* cited by examiner

Primary Examiner—Holly H. Baynham

(74) *Attorney, Agent, or Firm*—Mark Hopkinson

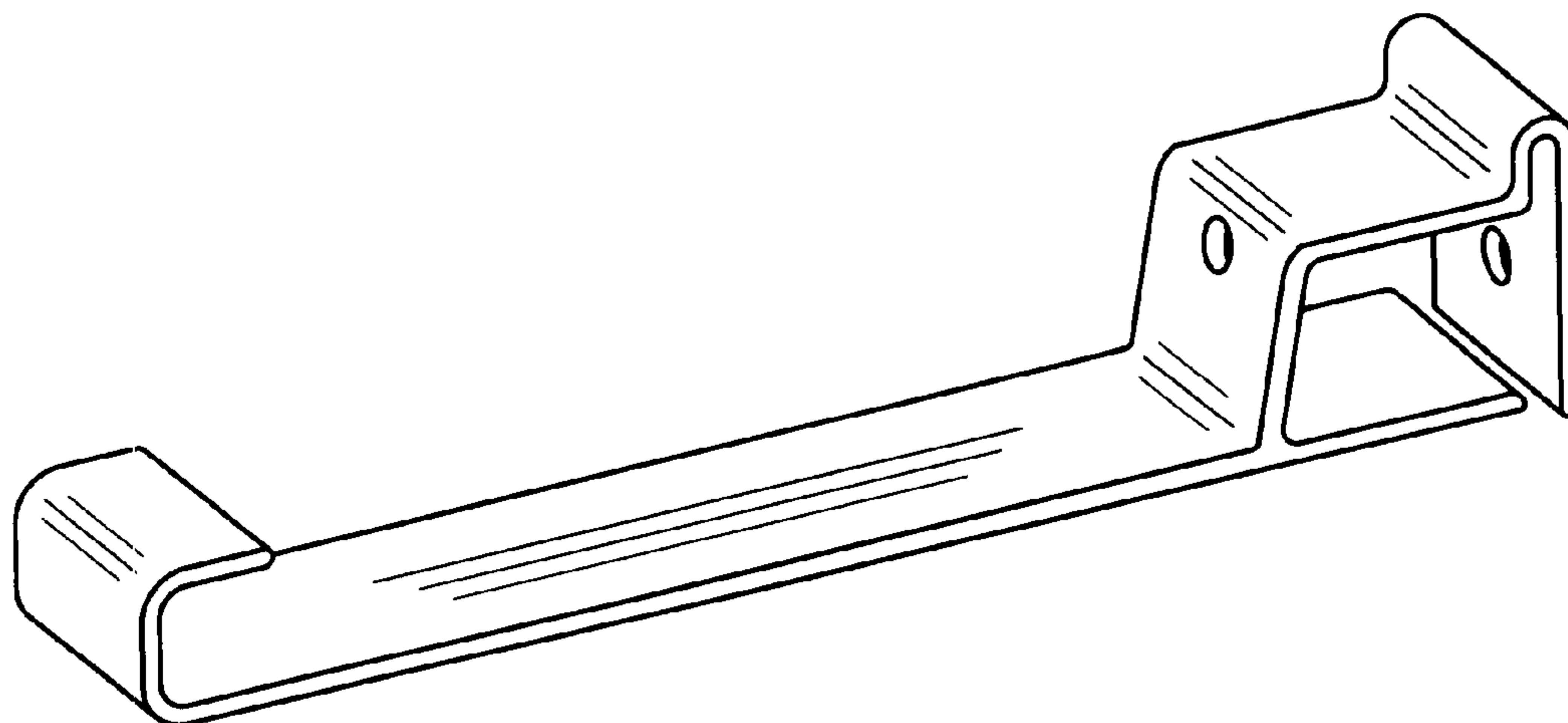
(57) **CLAIM**

The ornamental design for a gutter hanger, as shown and described.

DESCRIPTION

FIG. 1 is a top right side perspective view of my gutter hanger;
FIG. 2 is a right elevation thereof;
FIG. 3 is a bottom right side perspective view thereof;
FIG. 4 is a top left side perspective view thereof;
FIG. 5 is a left elevation thereof; and,
FIG. 6 is a bottom left side perspective view thereof.

1 Claim, 2 Drawing Sheets



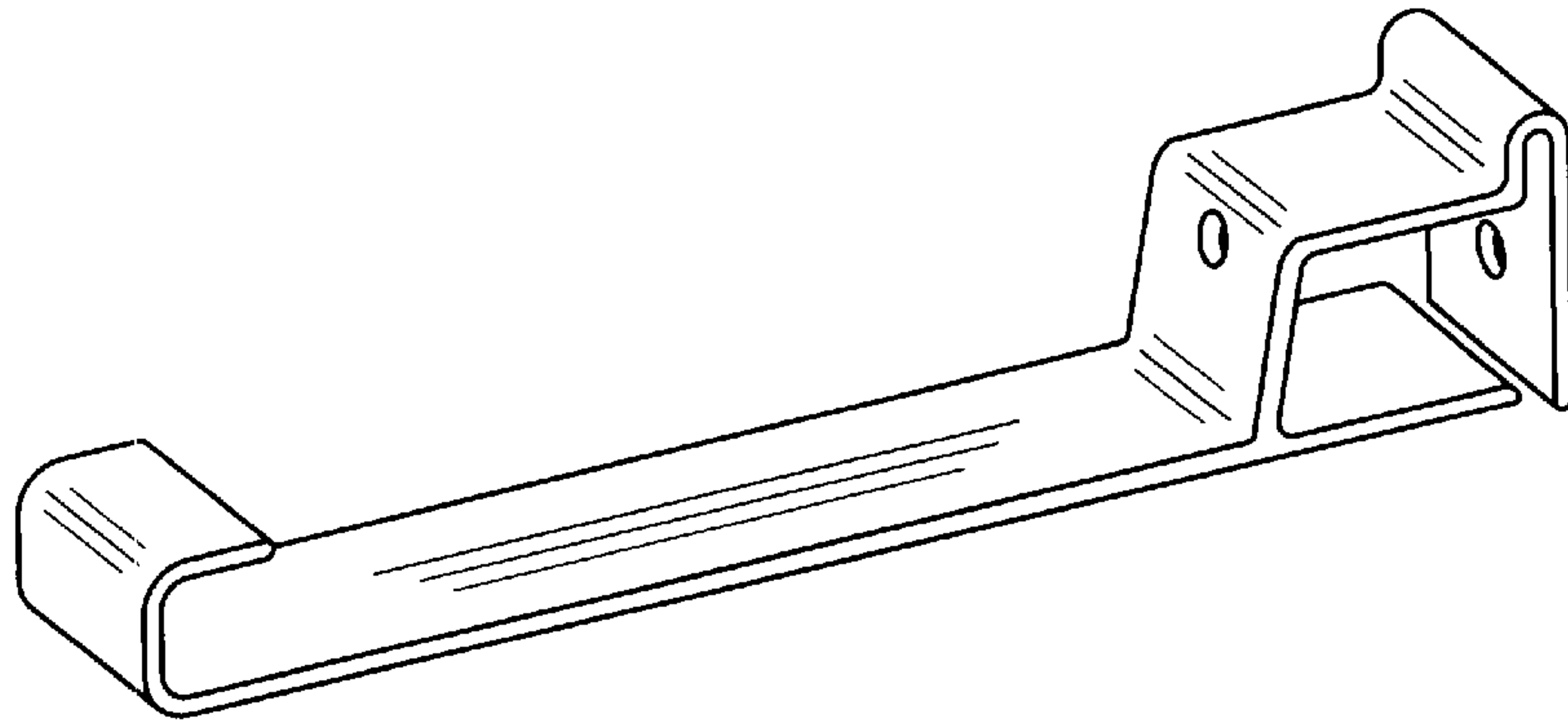


Fig. 1

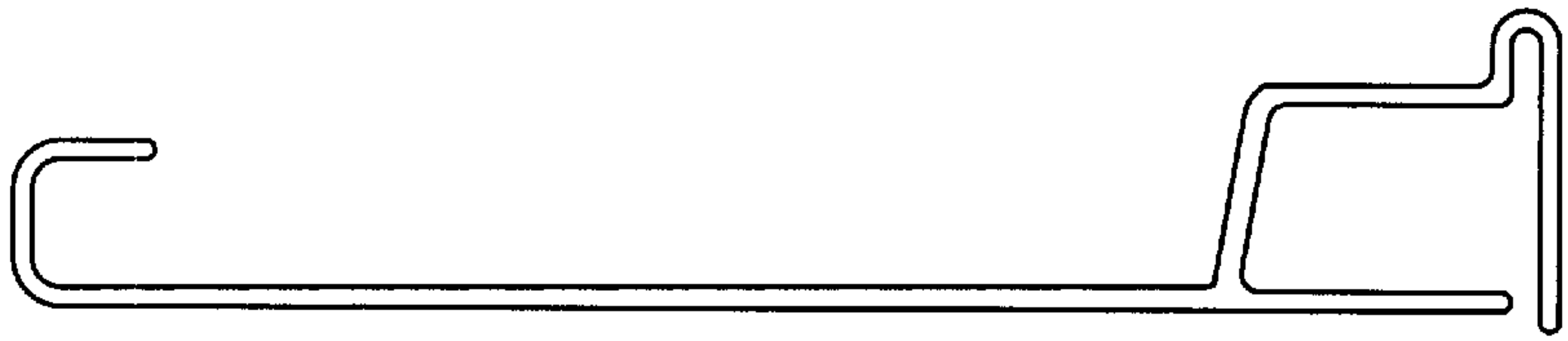


Fig. 2

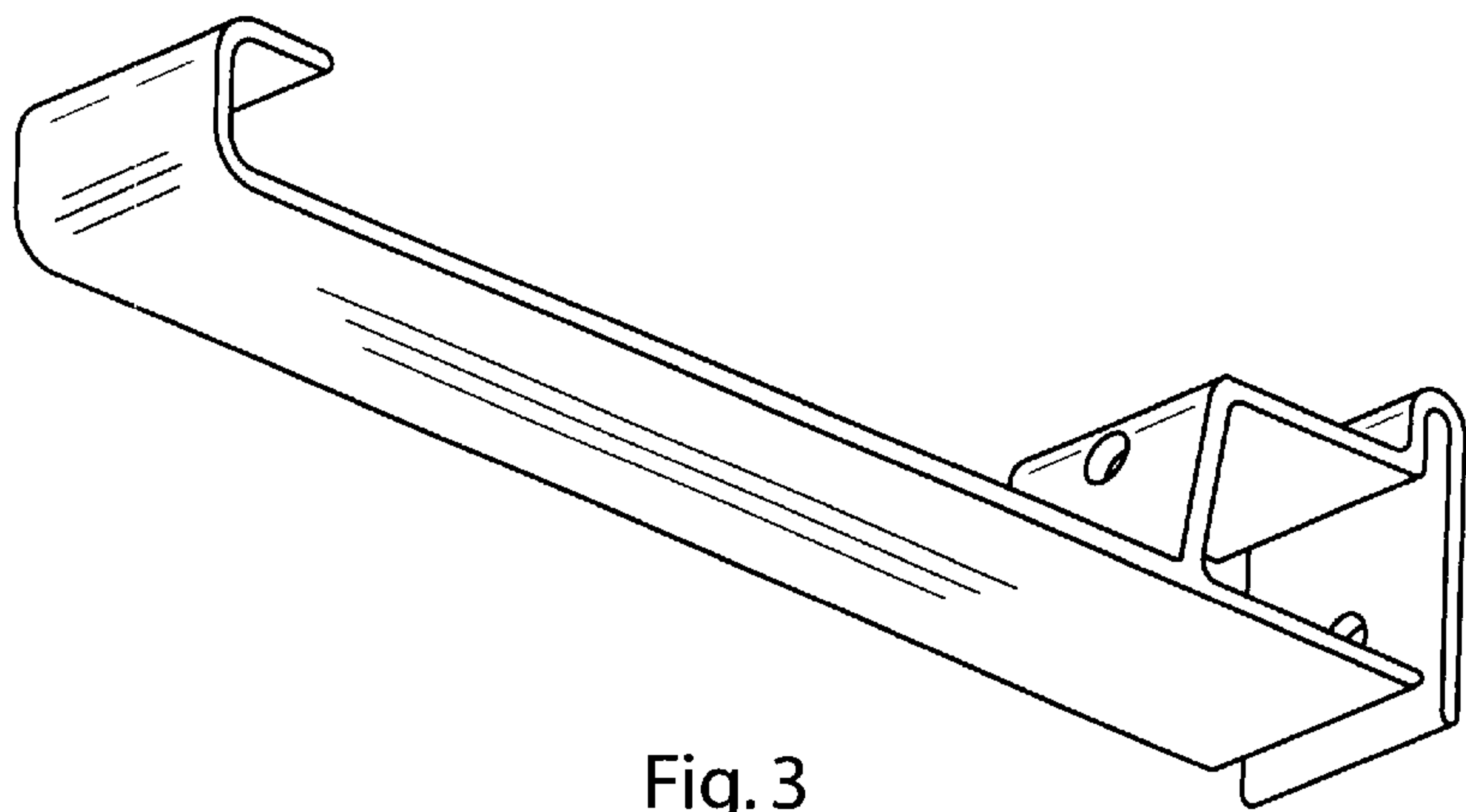


Fig. 3

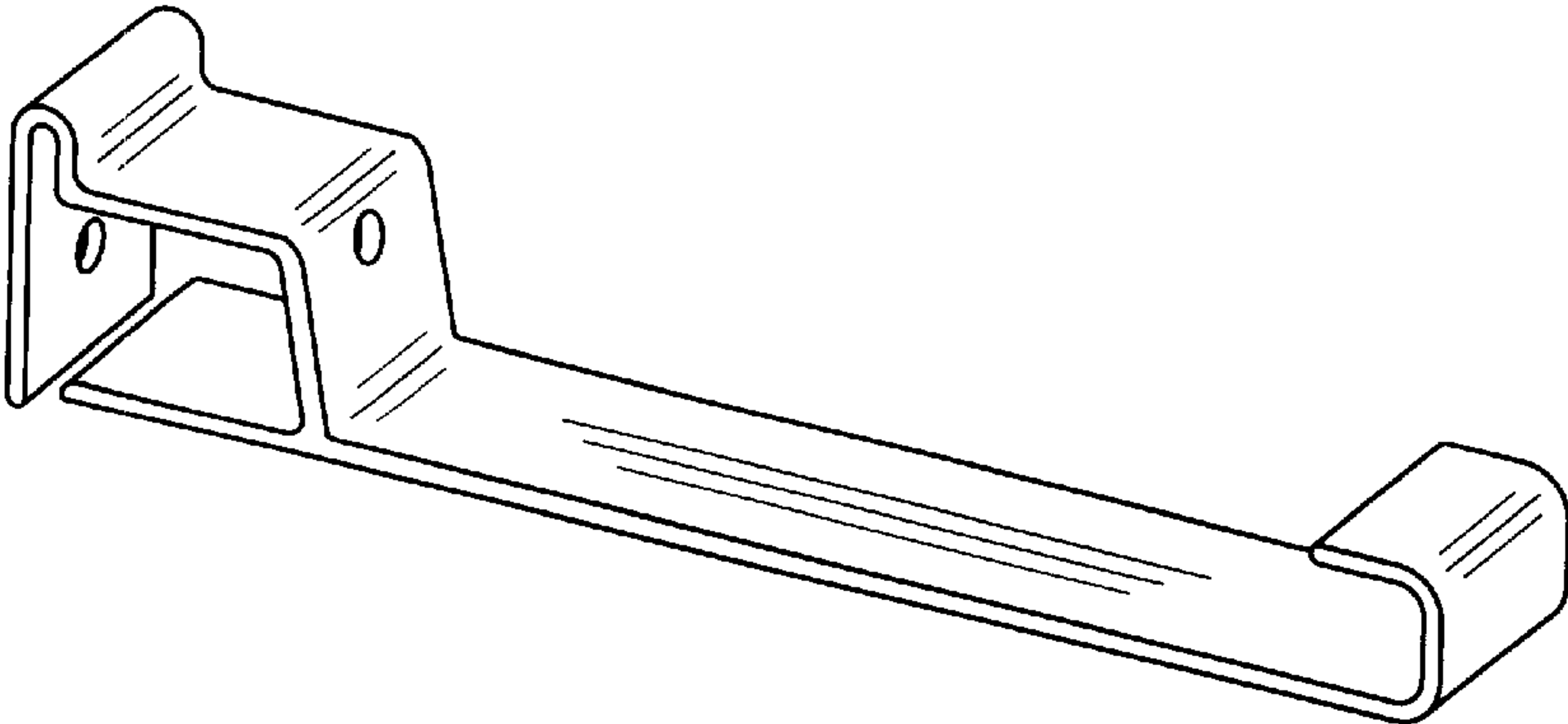


Fig. 4

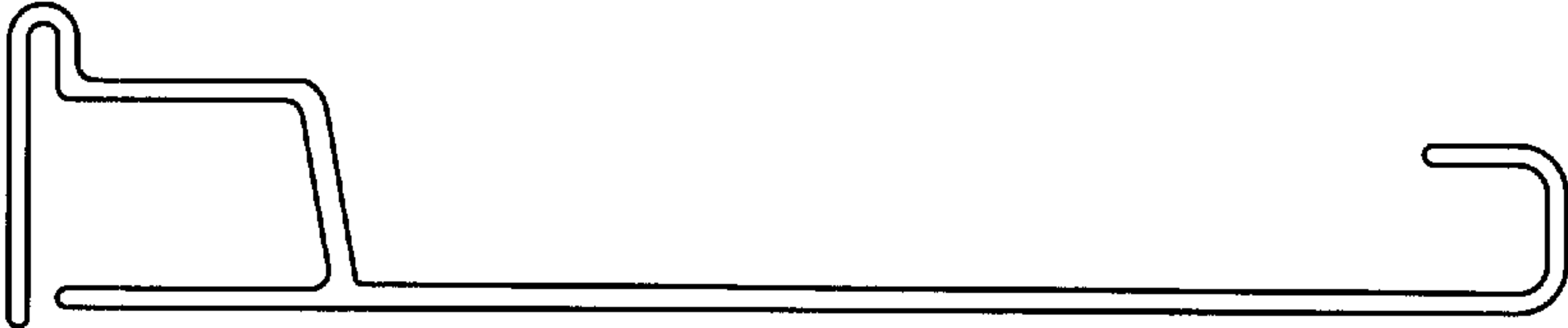


Fig. 5

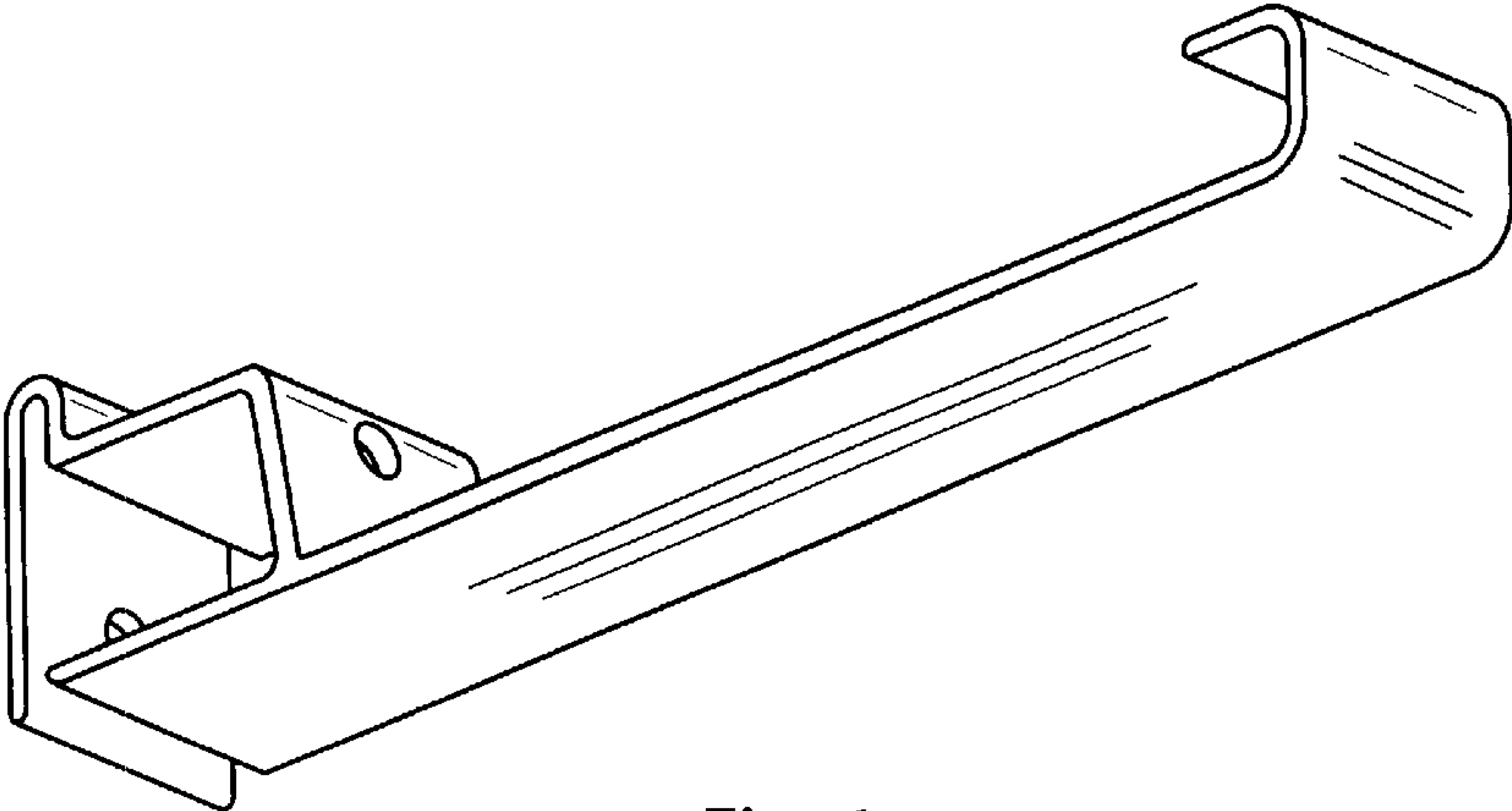


Fig. 6