

US00D541634S

(12) **United States Design Patent**  
**Schmidhauser**

(10) **Patent No.:** **US D541,634 S**

(45) **Date of Patent:** **\*\* May 1, 2007**

(54) **SLIDING DOOR RAIL**

(75) Inventor: **Heinz Schmidhauser**, Schweiz (CH)

(73) Assignee: **EKU AG**, Sirnach (CH)

(\*\*) Term: **14 Years**

(21) Appl. No.: **29/225,230**

(22) Filed: **Mar. 14, 2005**

(30) **Foreign Application Priority Data**

Sep. 17, 2004 (CH) ..... 131029

(51) **LOC (8) Cl.** ..... **08-05**

(52) **U.S. Cl.** ..... **D8/354**

(58) **Field of Classification Search** ..... D23/304;  
D8/354-355, 373, 379; D25/48; 403/4; 16/87.4 R;  
49/425; 248/200; 4/570

See application file for complete search history.

(56) **References Cited**

**U.S. PATENT DOCUMENTS**

- 4,997,303 A \* 3/1991 Xu et al. .... 403/4
- 5,189,758 A \* 3/1993 Levy ..... 16/87.4 R
- 5,488,803 A \* 2/1996 George ..... 49/425
- 5,927,665 A \* 7/1999 Grabnic ..... 248/200
- 2004/0034920 A1 \* 2/2004 Antonello et al. .... 4/570

\* cited by examiner

*Primary Examiner*—Robert A. Delehanty

(74) *Attorney, Agent, or Firm*—Volpe and Koenig, PC

(57) **CLAIM**

I claim a new ornamental design for a sliding door rail, as shown and described.

**DESCRIPTION**

FIG. 1 is a perspective view of a sliding door rail according to a preferred embodiment of my new design;

FIG. 2 is a front elevational view of the sliding door rail of FIG. 1;

FIG. 3 is a rear elevational view of the sliding door rail of FIG. 1;

FIG. 4 is a top plan view of the sliding door rail of FIG. 1; FIG. 5 is a bottom plan view of the sliding door rail of FIG. 1;

FIG. 6 is a right side elevational view of the sliding door rail of FIG. 1; and,

FIG. 7 is a left side elevational view of the sliding door rail of FIG. 1.

The dashed lines in FIGS. 1-7 represent environment and are for illustrative purposes only and do not constitute part of the claimed design.

**1 Claim, 2 Drawing Sheets**

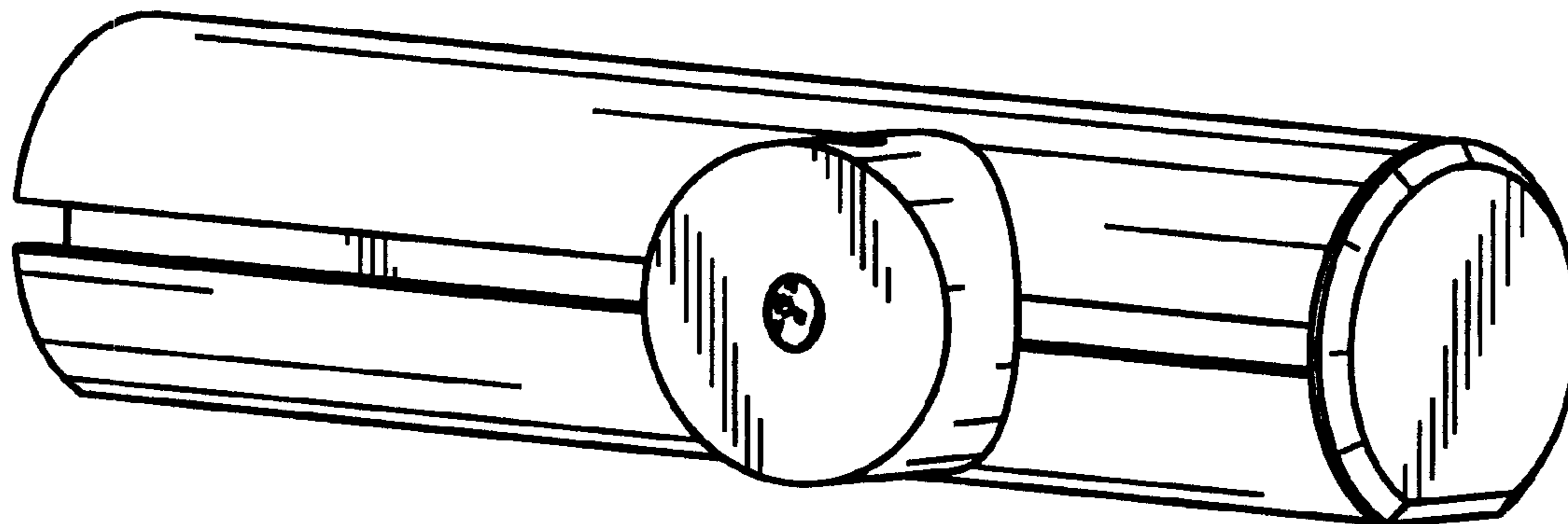


FIG. 1

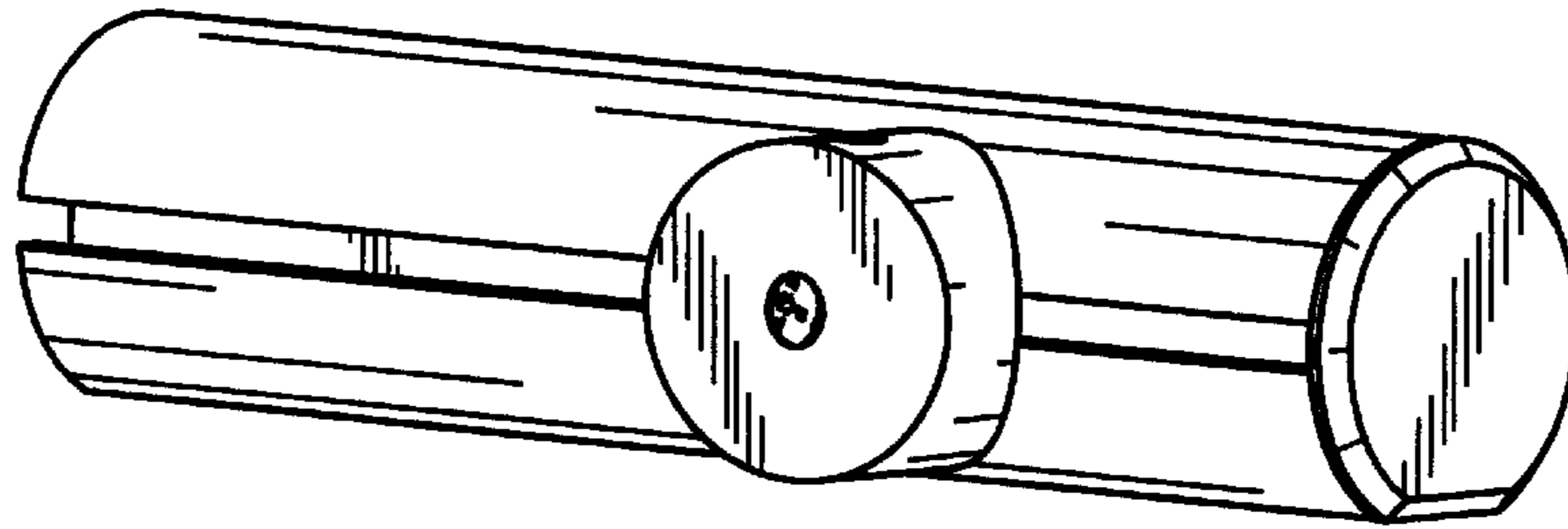


FIG. 2

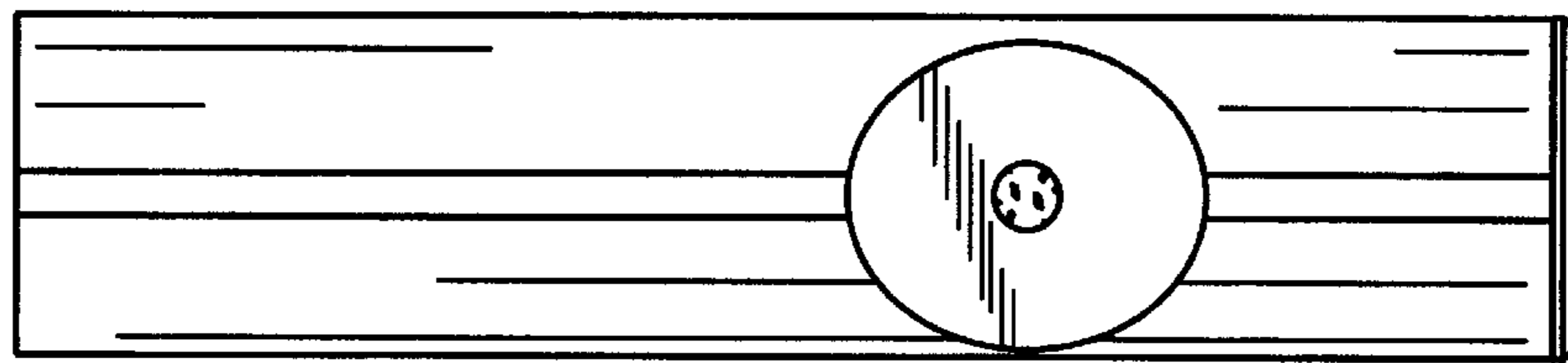


FIG. 3

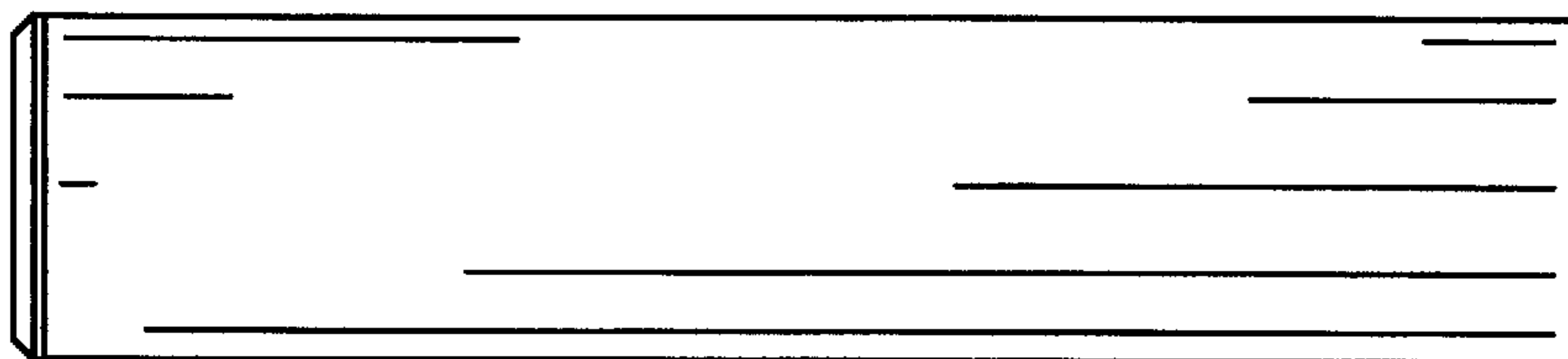


FIG. 4

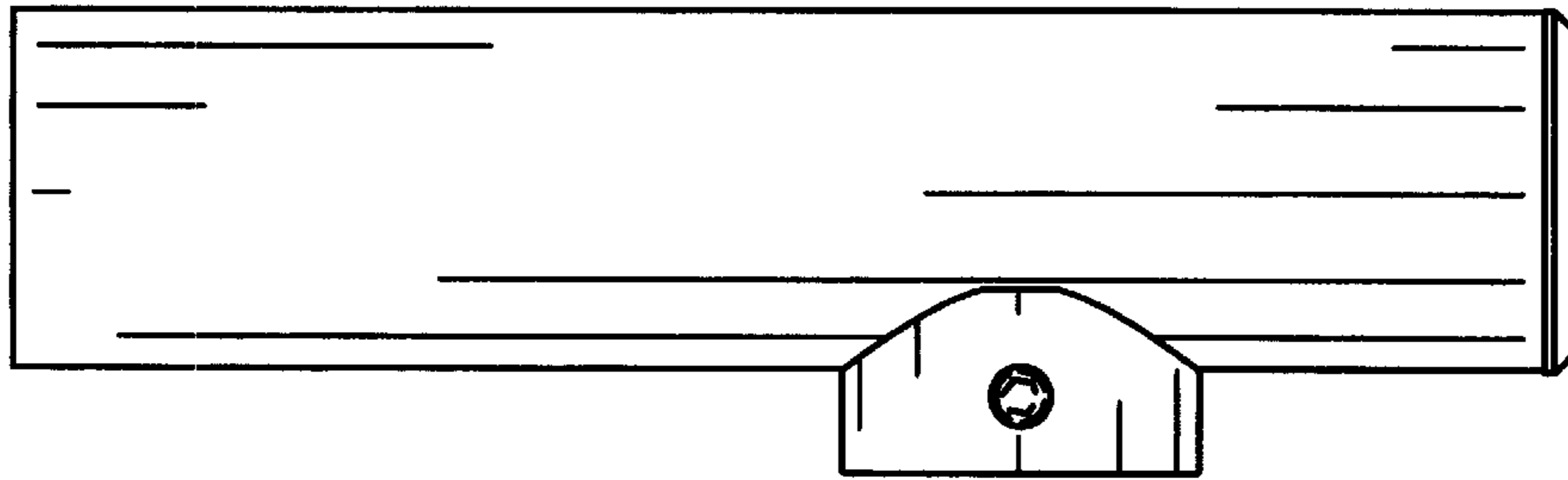


FIG. 5

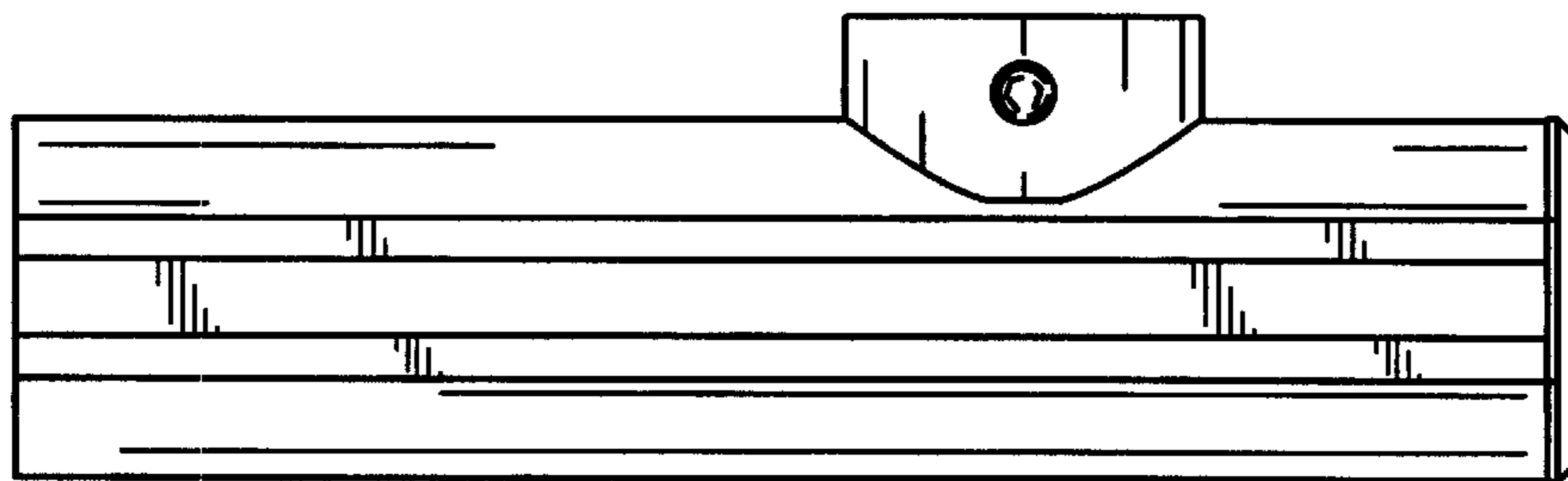


FIG. 6

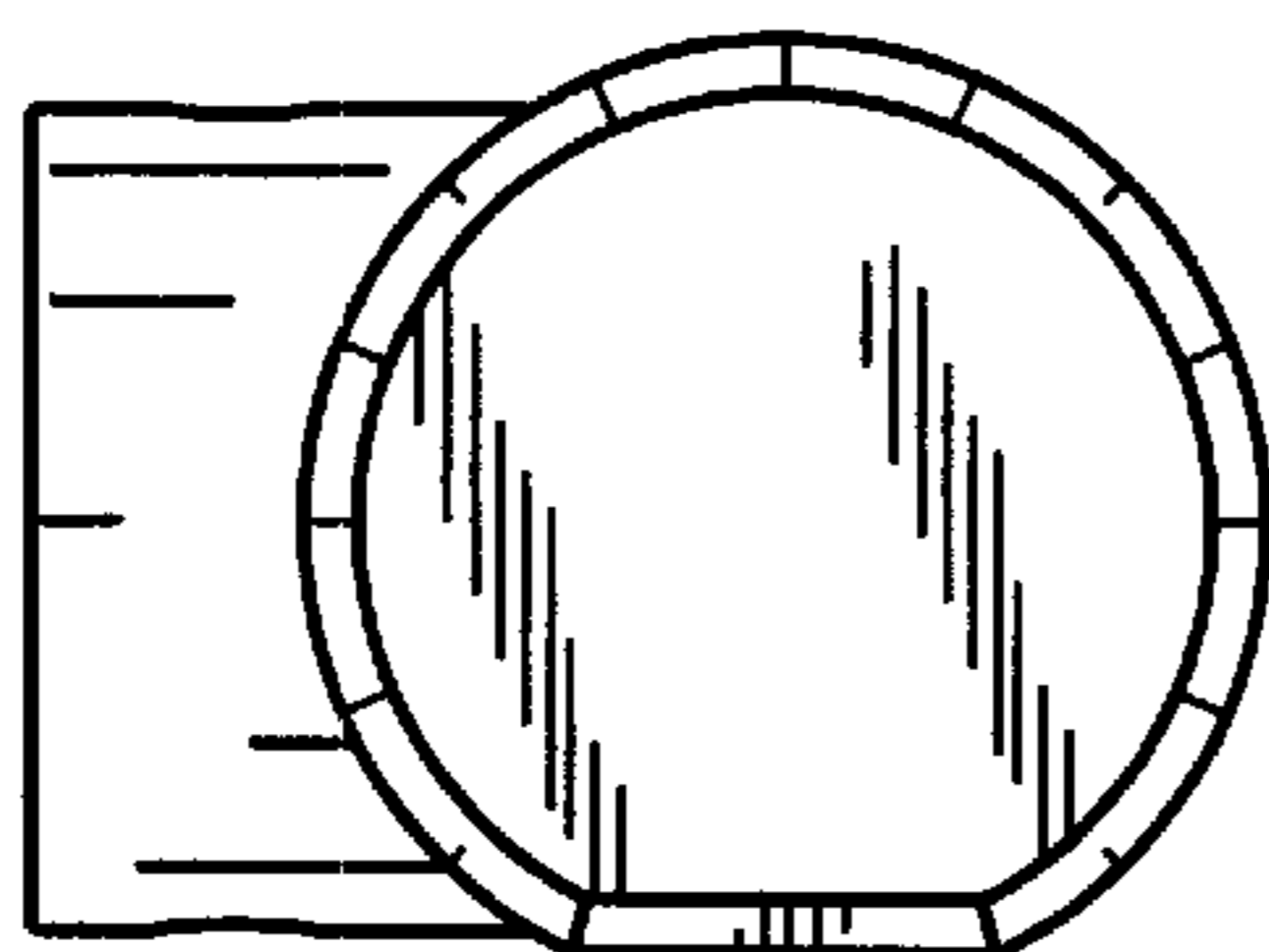


FIG. 7

