



US00D541631S

(12) **United States Design Patent**
Heppner

(10) **Patent No.:** **US D541,631 S**

(45) **Date of Patent:** **** May 1, 2007**

(54) **LOCK SHACKLE**

(75) Inventor: **John Heppner**, Kenosha, WI (US)

(73) Assignee: **Master Lock Company LLC**, Oak Creek, WI (US)

(**) Term: **14 Years**

(21) Appl. No.: **29/244,338**

(22) Filed: **Dec. 8, 2005**

(51) **LOC (8) Cl.** **08-07**

(52) **U.S. Cl.** **D8/343**

(58) **Field of Classification Search** D8/330-348;
70/14, 20, 21, 31, 35-38, 52, 91, 18
See application file for complete search history.

(56) **References Cited**

U.S. PATENT DOCUMENTS

526,740	A	10/1894	Rapaport
D32,638	S	5/1900	Voight
661,560	A	11/1900	Stall
666,231	A	1/1901	Lawson
767,004	A	8/1904	Muchowicz
1,016,455	A	2/1912	Stone
1,455,770	A	5/1923	Anderson
1,629,388	A	5/1927	Jackson
1,777,424	A	10/1930	Thomas
3,395,555	A	8/1968	Hickman
D212,170	S	9/1968	Owen
3,626,729	A	12/1971	Fane
3,830,085	A	8/1974	Gerlach
5,253,496	A	10/1993	Wang
D352,223	S	11/1994	Shieh
5,372,019	A	12/1994	Hsiao
D360,125	S	7/1995	Taylor
D392,540	S	3/1998	MccDaid

5,727,405	A	3/1998	Cromwell	
D408,261	S	4/1999	Gregory	
D433,310	S	11/2000	Luquire	
D433,311	S	11/2000	Luquire	
D454,486	S	3/2002	Streibel	
6,530,248	B1	3/2003	Parker	
D484,777	S	1/2004	Ruan	
D520,339	S	* 5/2006	Heppner D8/343
D524,145	S	* 7/2006	Heppner D8/343
D528,401	S	* 9/2006	Ruan D8/343
D529,369	S	* 10/2006	Ruan D8/343
D529,786	S	* 10/2006	Heppner D8/343

* cited by examiner

Primary Examiner—Mitchell Siegel

(74) *Attorney, Agent, or Firm*—Calfee, Halter & Griswold

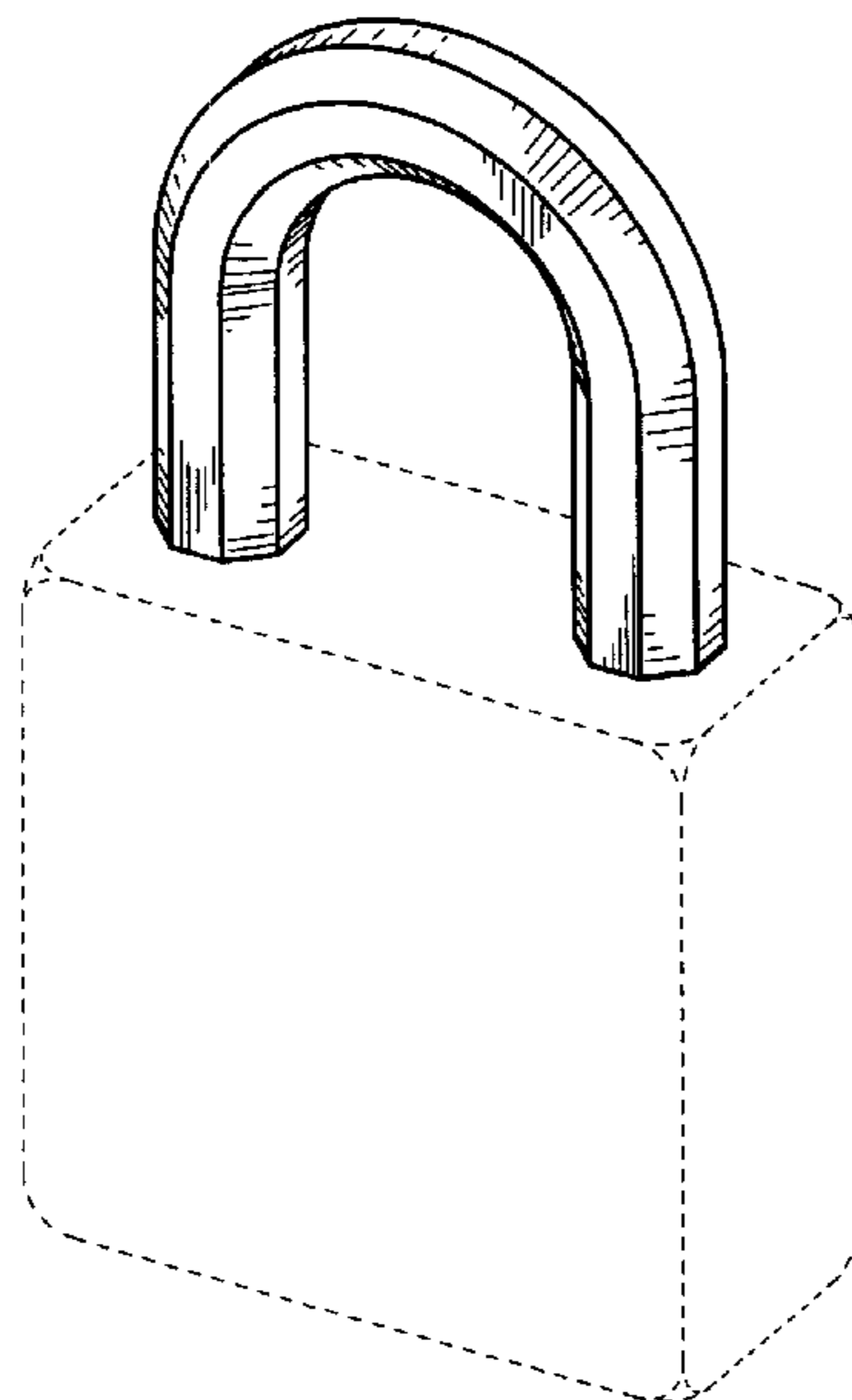
(57) **CLAIM**

The ornamental design for a lock shackle, as shown and described.

DESCRIPTION

FIG. 1 is a perspective view of a lock shackle of the new design, showing a shackle with eight flat sides and the shackle installed in a padlock illustrated in phantom lines; FIG. 2 is a front view of the lock shackle of FIG. 1, wherein the front view and the back view are mirror images of each other; FIG. 3 is a side view of the lock shackle of FIG. 1, wherein each side is a mirror image of the other; FIG. 4 is a top view of the lock shackle of FIG. 1; and, FIG. 5 is a bottom view of the lock shackle of FIG. 1. The portions of the Figures shown in phantom lines are not part of the claimed design, but are for illustration purposes only.

1 Claim, 1 Drawing Sheet



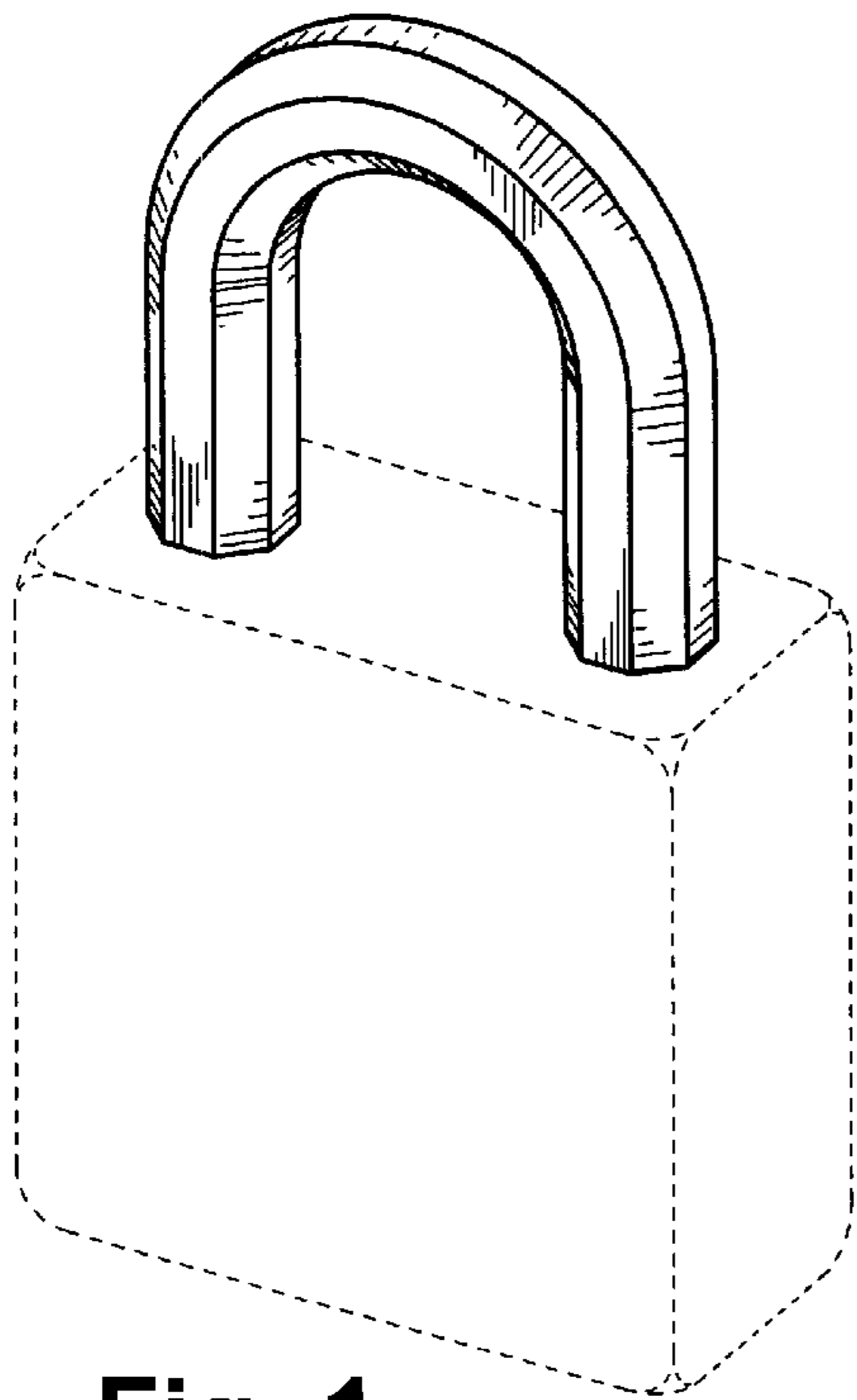


Fig. 1

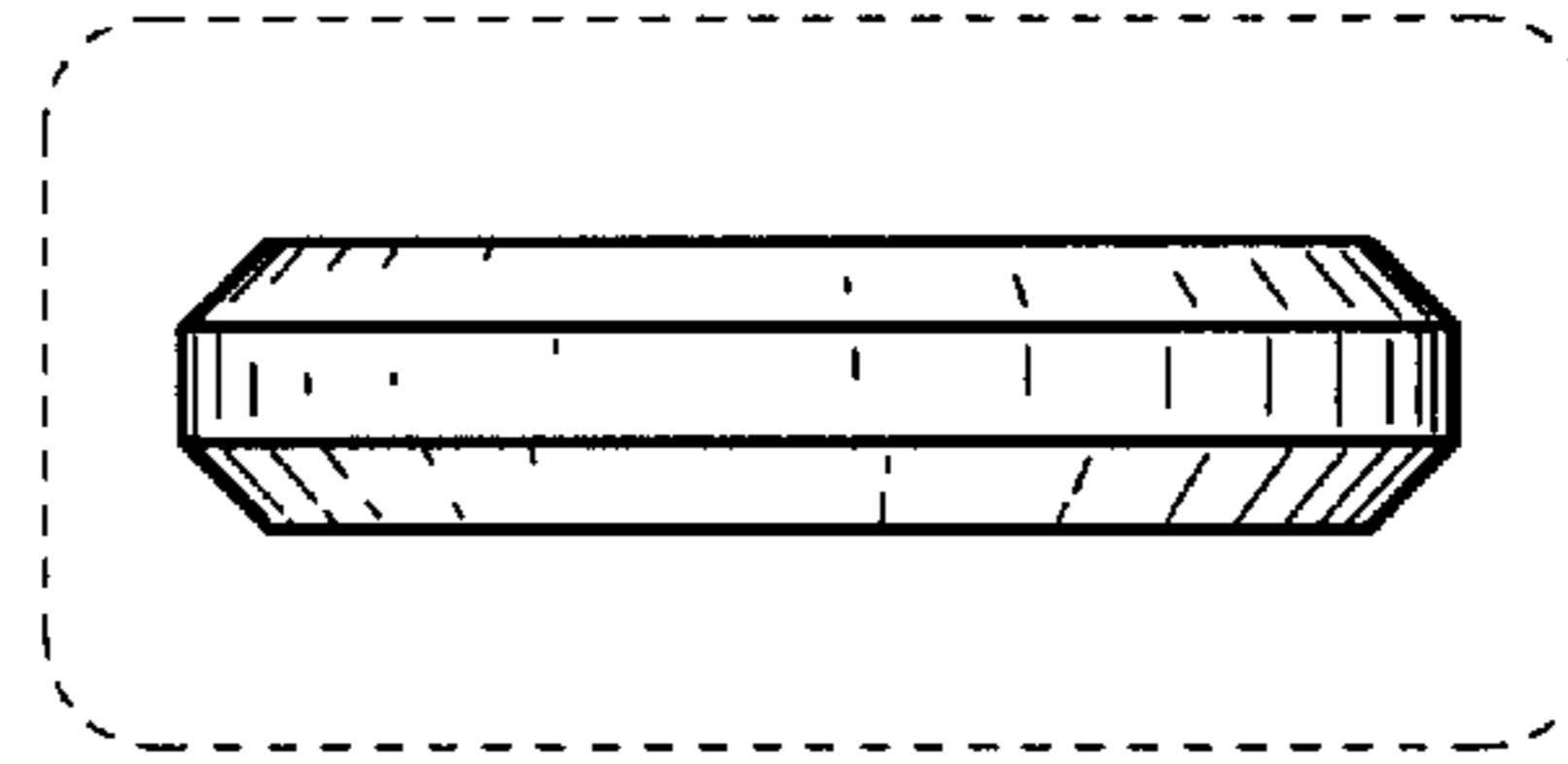


Fig. 4

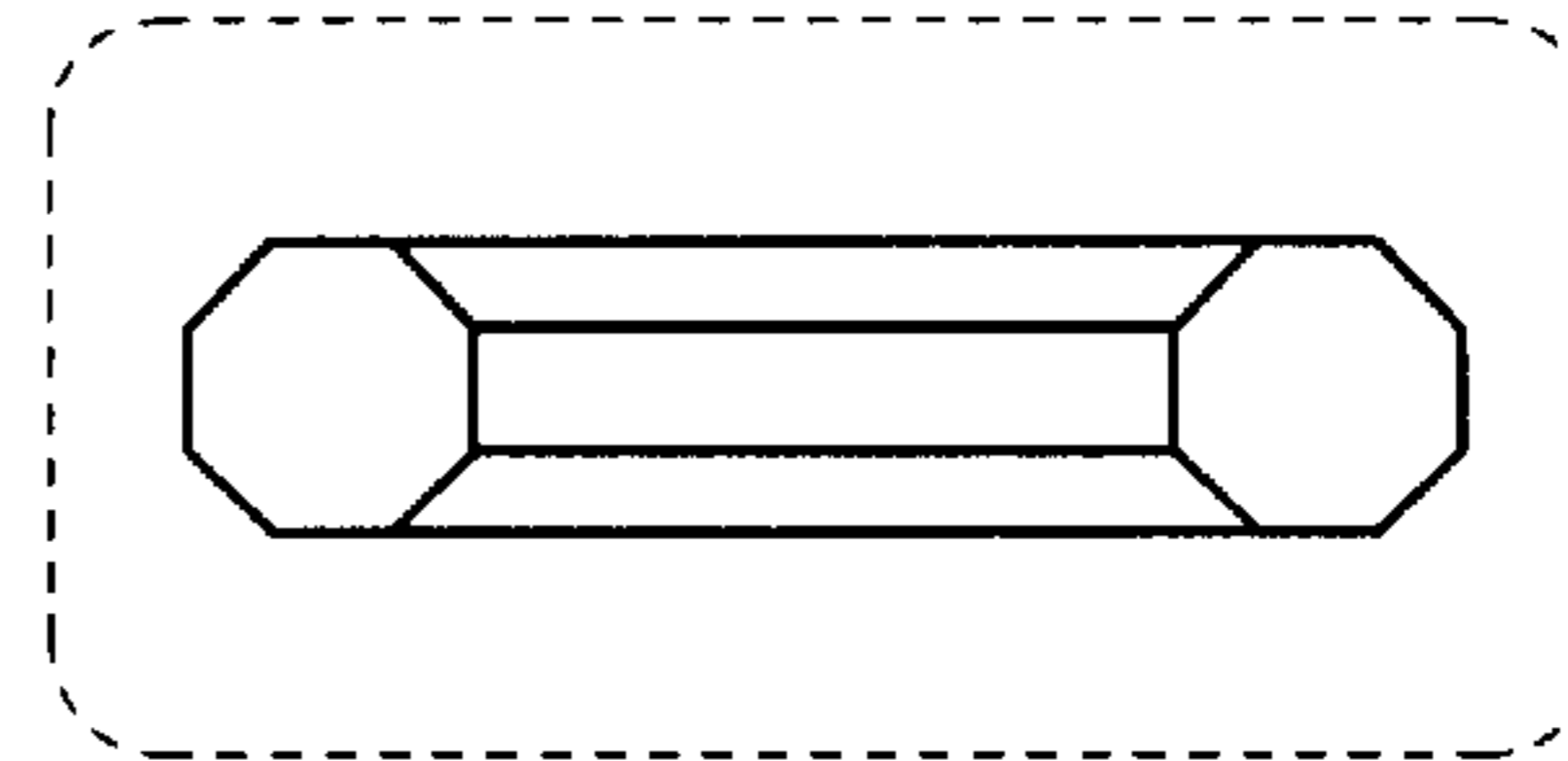


Fig. 5

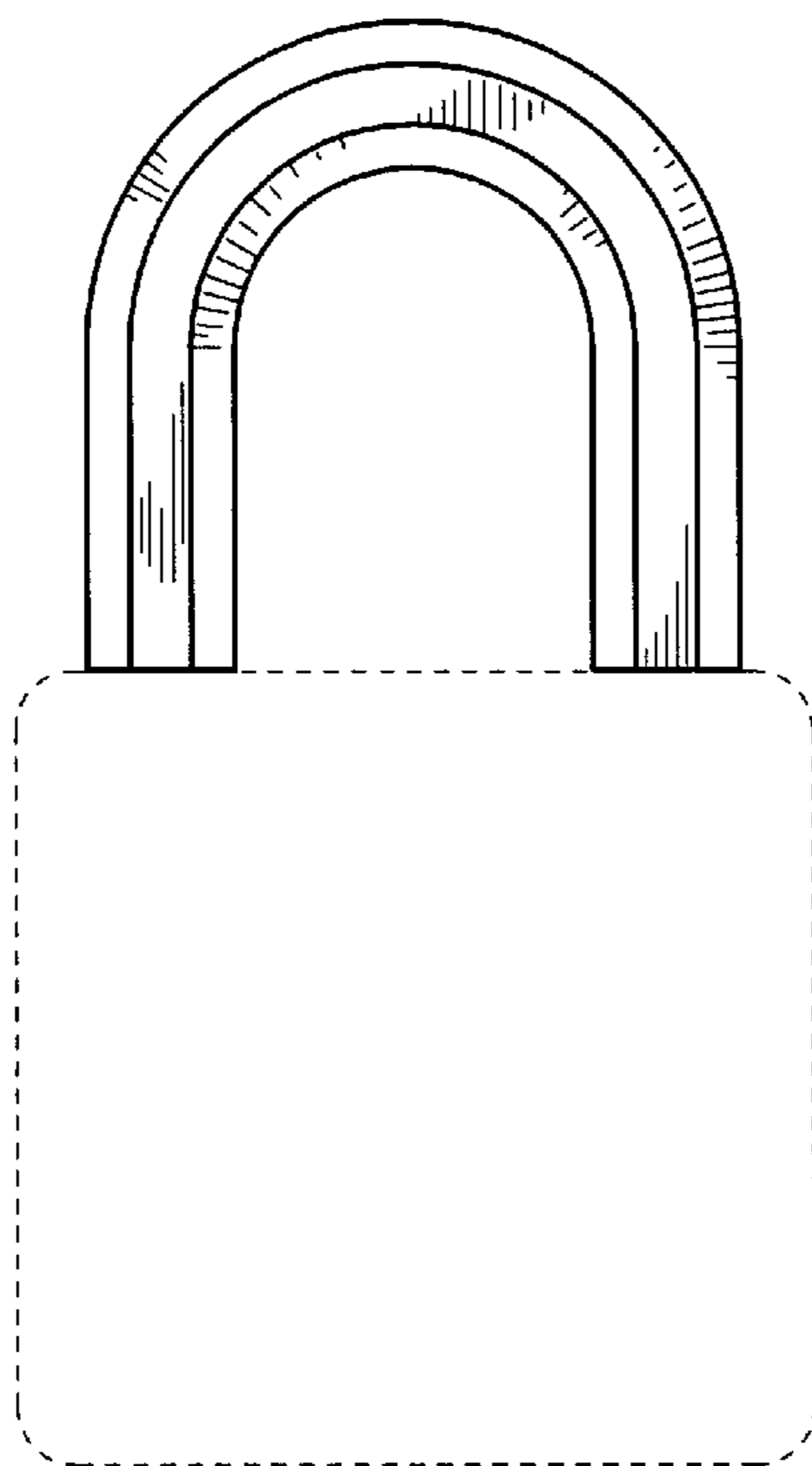


Fig. 2

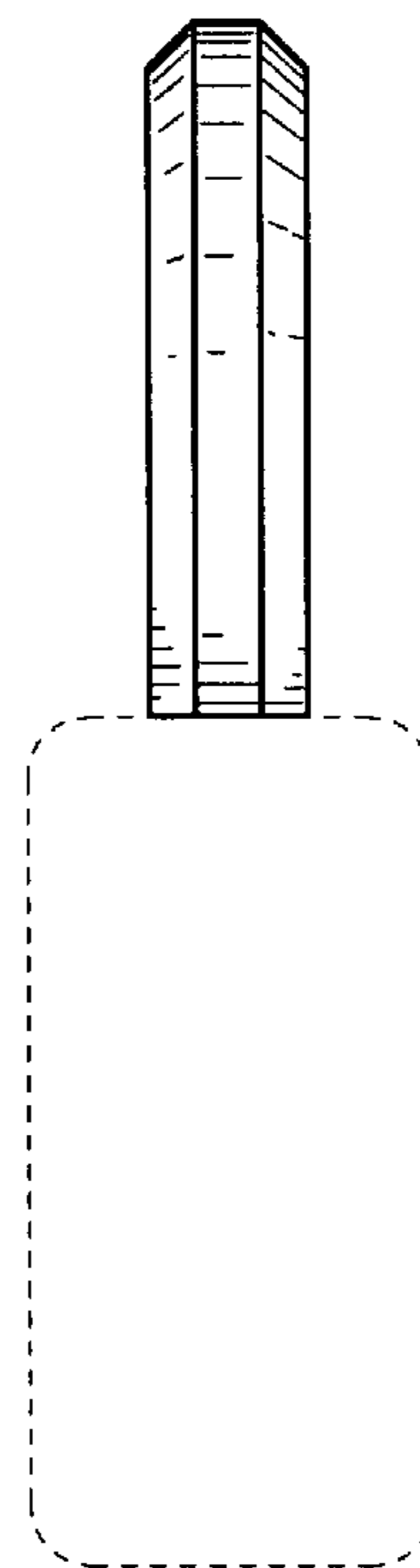


Fig. 3