



US00D541629S

(12) **United States Design Patent**
Pepper et al.

(10) **Patent No.:** **US D541,629 S**

(45) **Date of Patent:** **** May 1, 2007**

(54) **ASTRAGAL BOOT**

(75) Inventors: **Michael E. Pepper**, Richmond, IN (US); **James W. Meeks**, Eaton, OH (US); **Brian S. Hewitt**, Eaton, OH (US)

(73) Assignee: **Quanex Corporation**, Houston, TX (US)

(**) Term: **14 Years**

(21) Appl. No.: **29/239,972**

(22) Filed: **Oct. 6, 2005**

(51) **LOC (8) Cl.** **08-07**

(52) **U.S. Cl.** **D8/331**

(58) **Field of Classification Search** D8/330-348, D8/400; 49/366-369, 394; 292/1, 42, 145, 292/147, 152

See application file for complete search history.

(56) **References Cited**

U.S. PATENT DOCUMENTS

4,052,819	A	*	10/1977	Beischel et al.	49/368
4,429,493	A		2/1984	St. Aubin		
D273,090	S		3/1984	Imperial		
4,573,287	A		3/1986	Hagemeyer et al.		
4,644,696	A		2/1987	Bursk		
5,857,291	A		1/1999	Headrick		
5,943,825	A		8/1999	Procton et al.		
6,052,949	A		4/2000	Procton et al.		

6,219,971	B1	4/2001	Headrick
6,491,326	B1	12/2002	Massey et al.
6,666,486	B1	12/2003	Fleming
2003/0052492	A1	3/2003	Massey
2004/0256858	A1	12/2004	Governale et al.
2005/0116424	A1	6/2005	Sanders
2005/0120630	A1	6/2005	Sanders
2005/0120631	A1	6/2005	Sanders
2005/0193784	A1	9/2005	Sanders

* cited by examiner

Primary Examiner—Mitchell Siegel

(74) *Attorney, Agent, or Firm*—Howard & Howard Attorneys, P.C.

(57) **CLAIM**

The ornamental design for an astragal boot, as shown and described.

DESCRIPTION

FIG. 1 is a perspective view of an astragal boot, the broken line showing of a hole, a semi-cylindrical cut-out, and two fingers being environmental only and forming no part of the claimed design;

FIG. 2 is a bottom view of the astragal boot of FIG. 1;

FIG. 3 is a top view of the astragal boot of FIG. 1;

FIG. 4 is a front view of the astragal boot of FIG. 1;

FIG. 5 is a rear view of the astragal boot of FIG. 1;

FIG. 6 is a left side view of the astragal boot of FIG. 1; and,

FIG. 7 is a right side view of the astragal boot of FIG. 1.

1 Claim, 3 Drawing Sheets

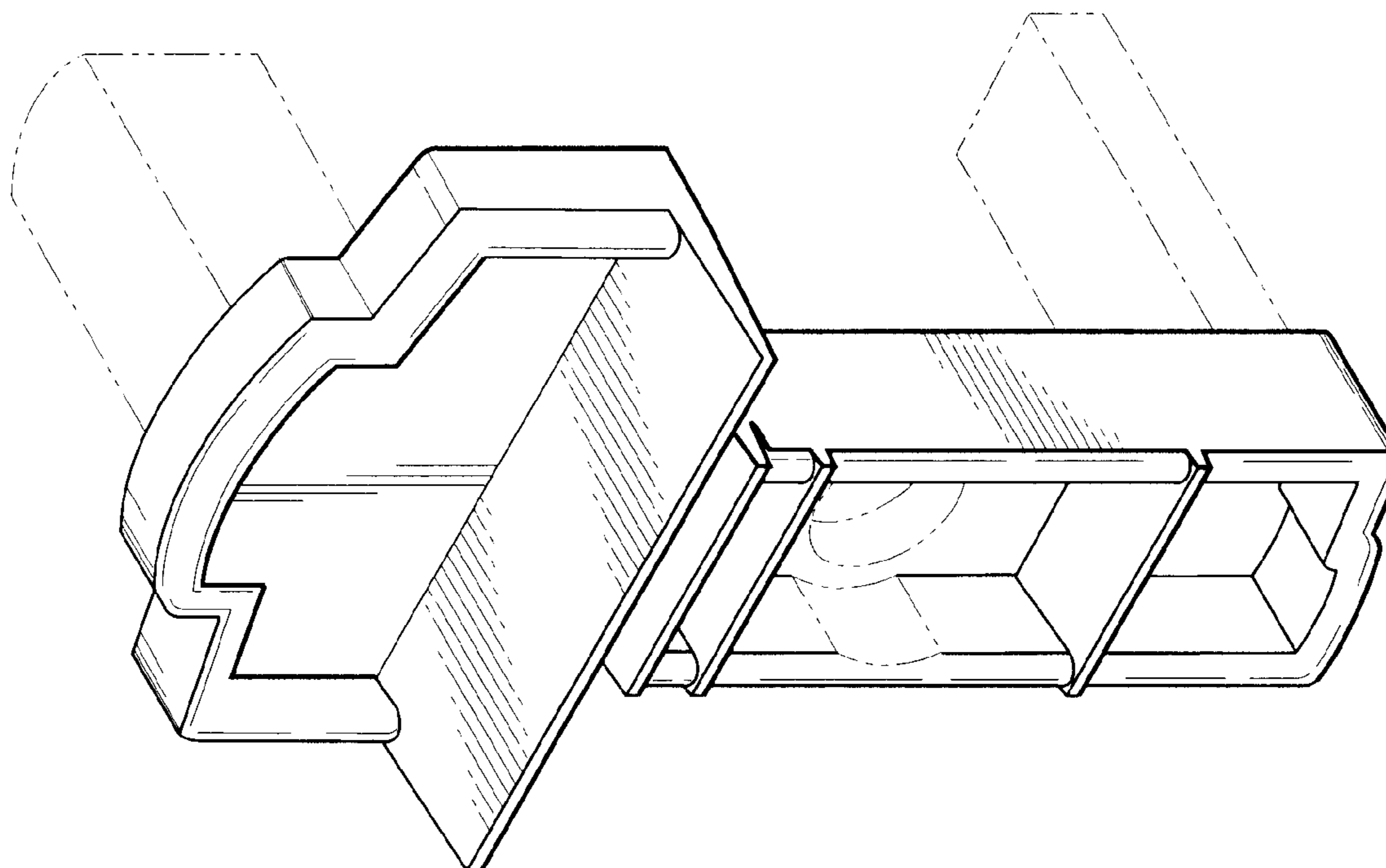


FIG - 1

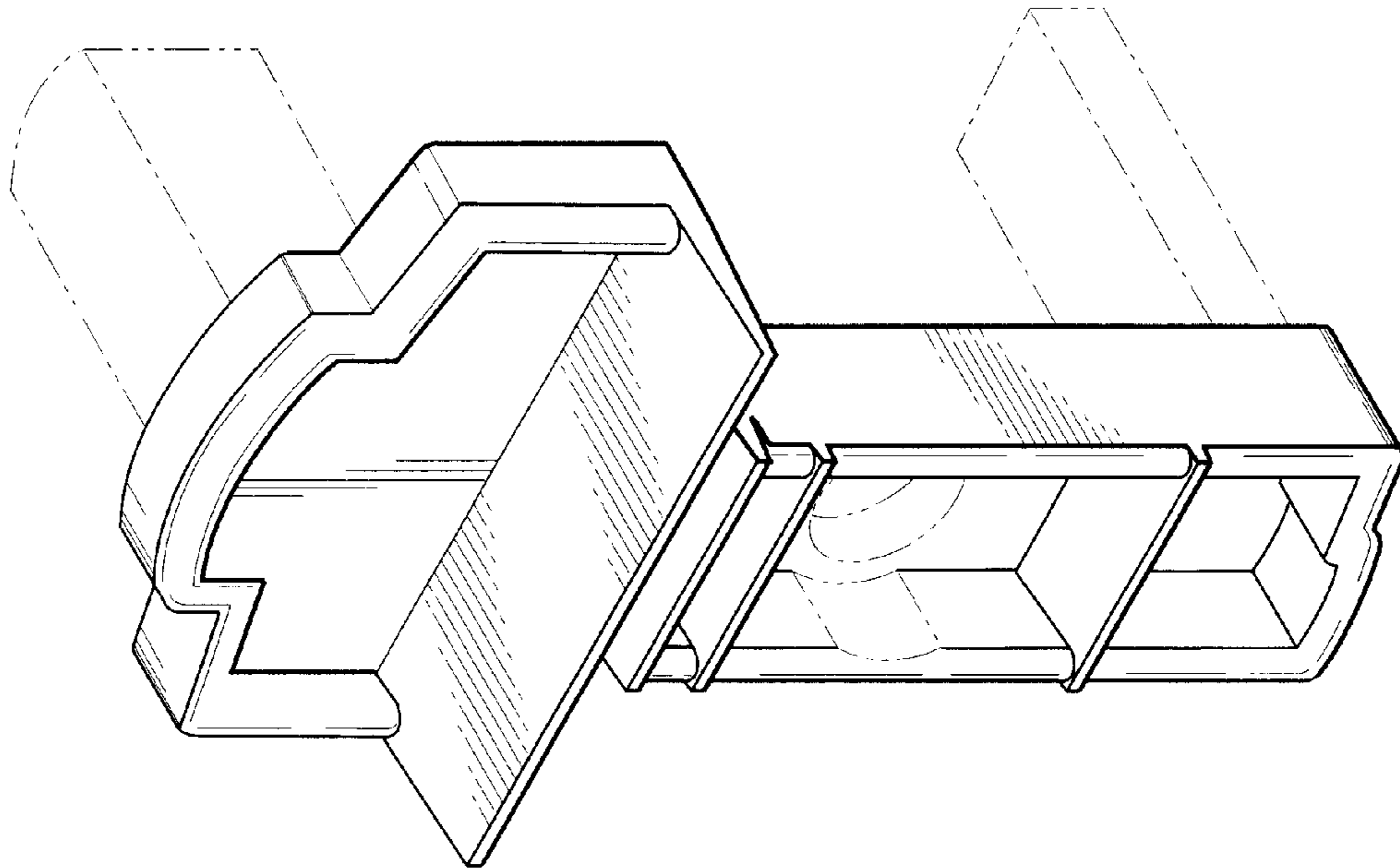
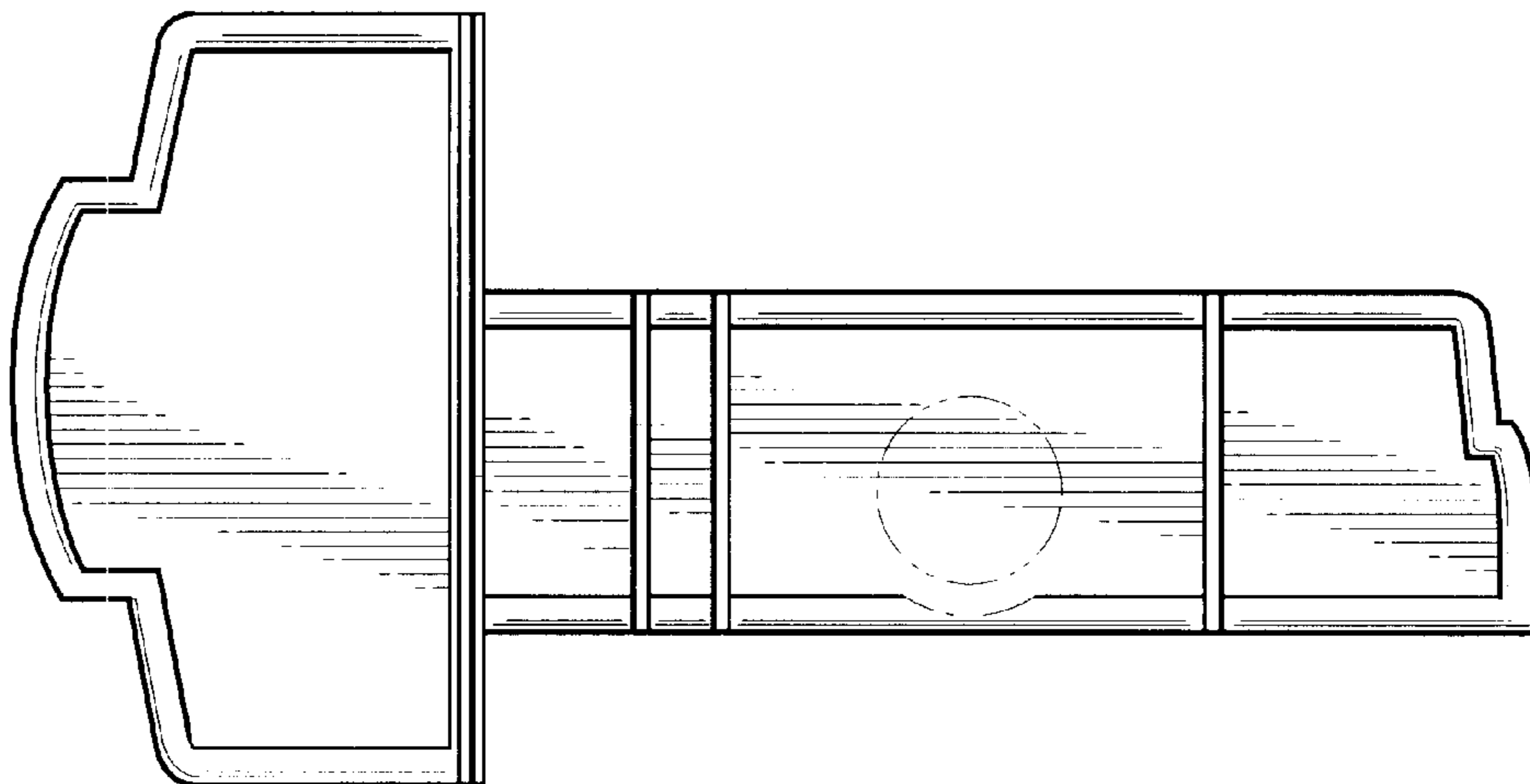


FIG - 2



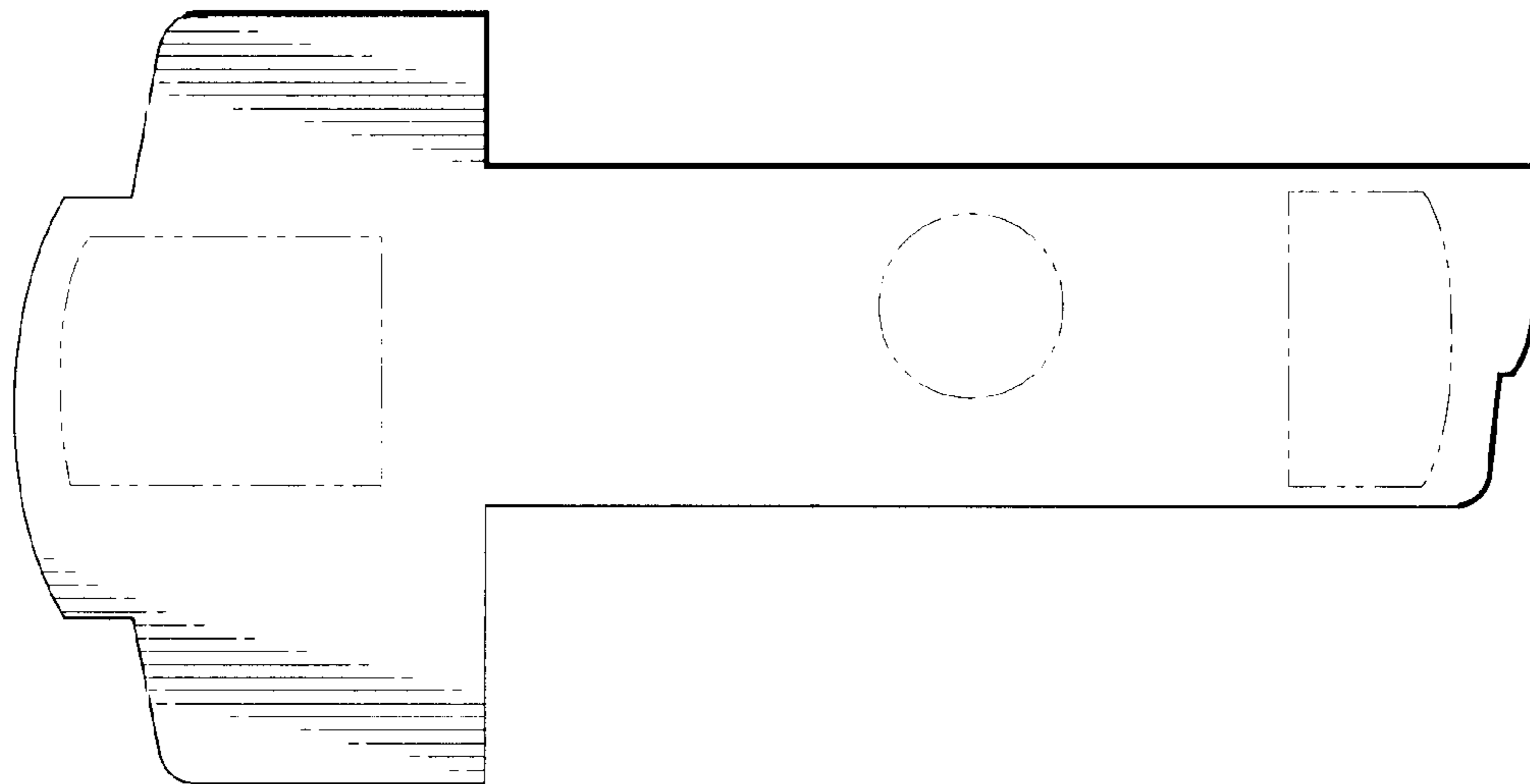


FIG - 3

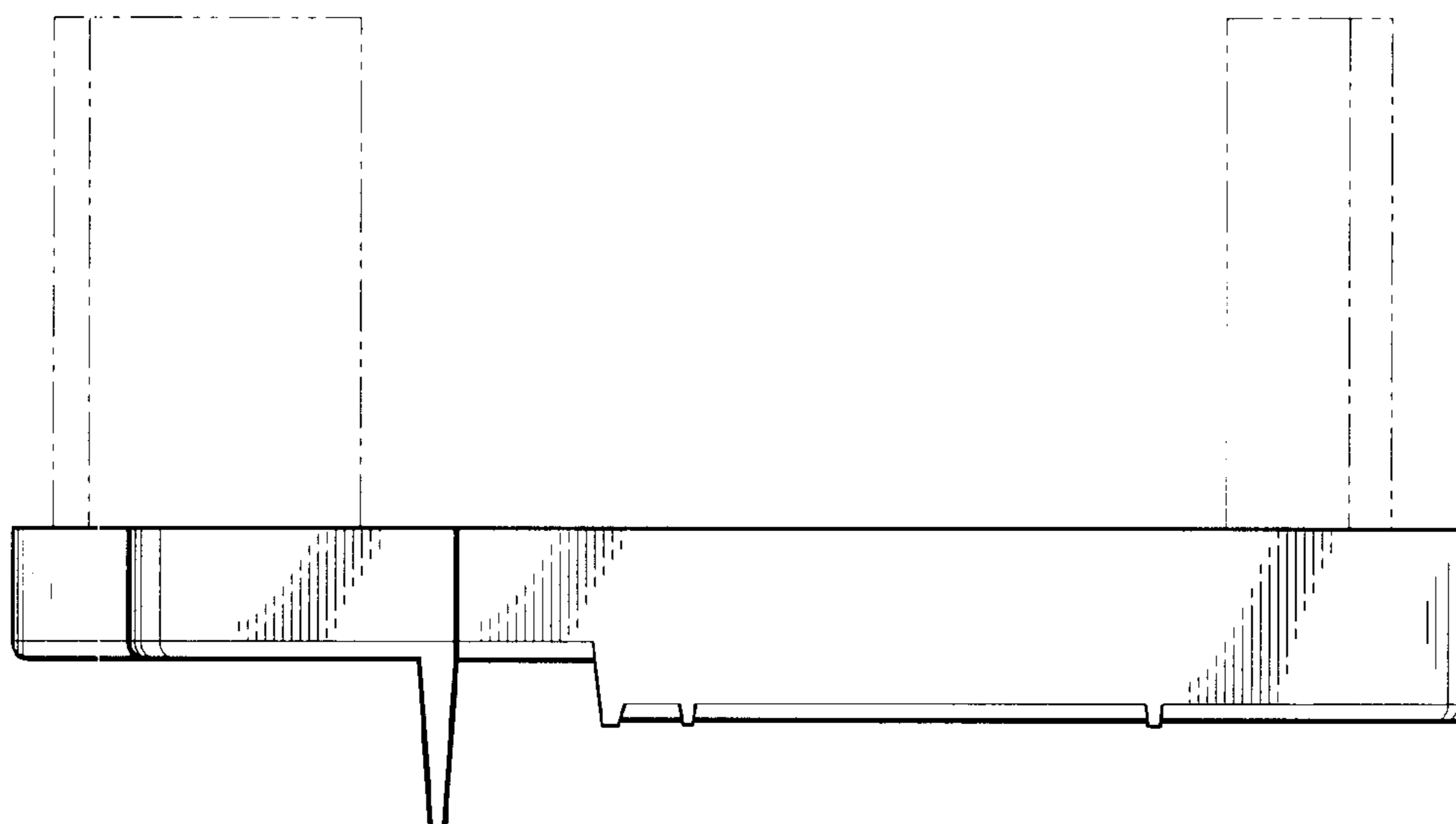


FIG - 4

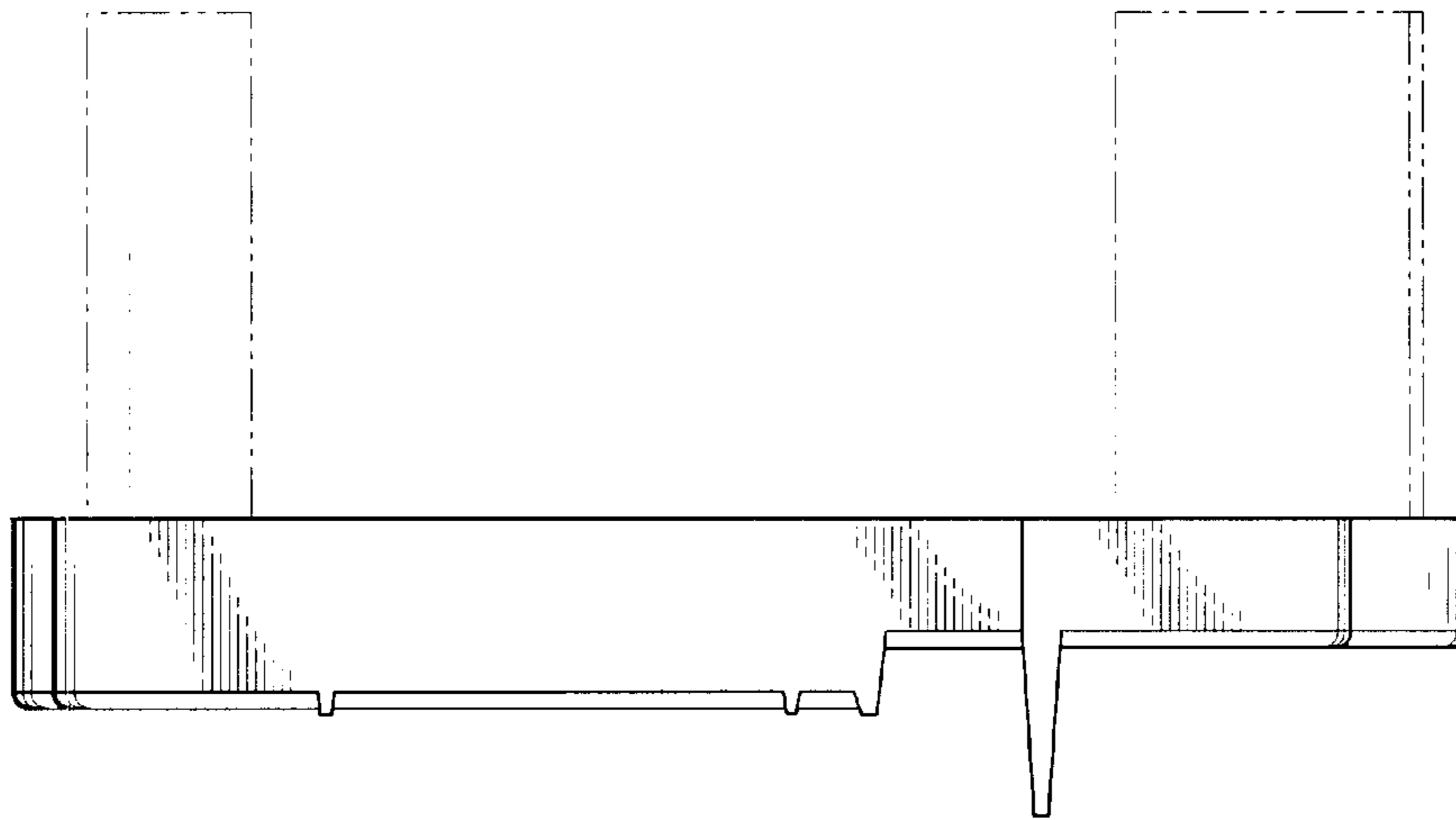


FIG - 5

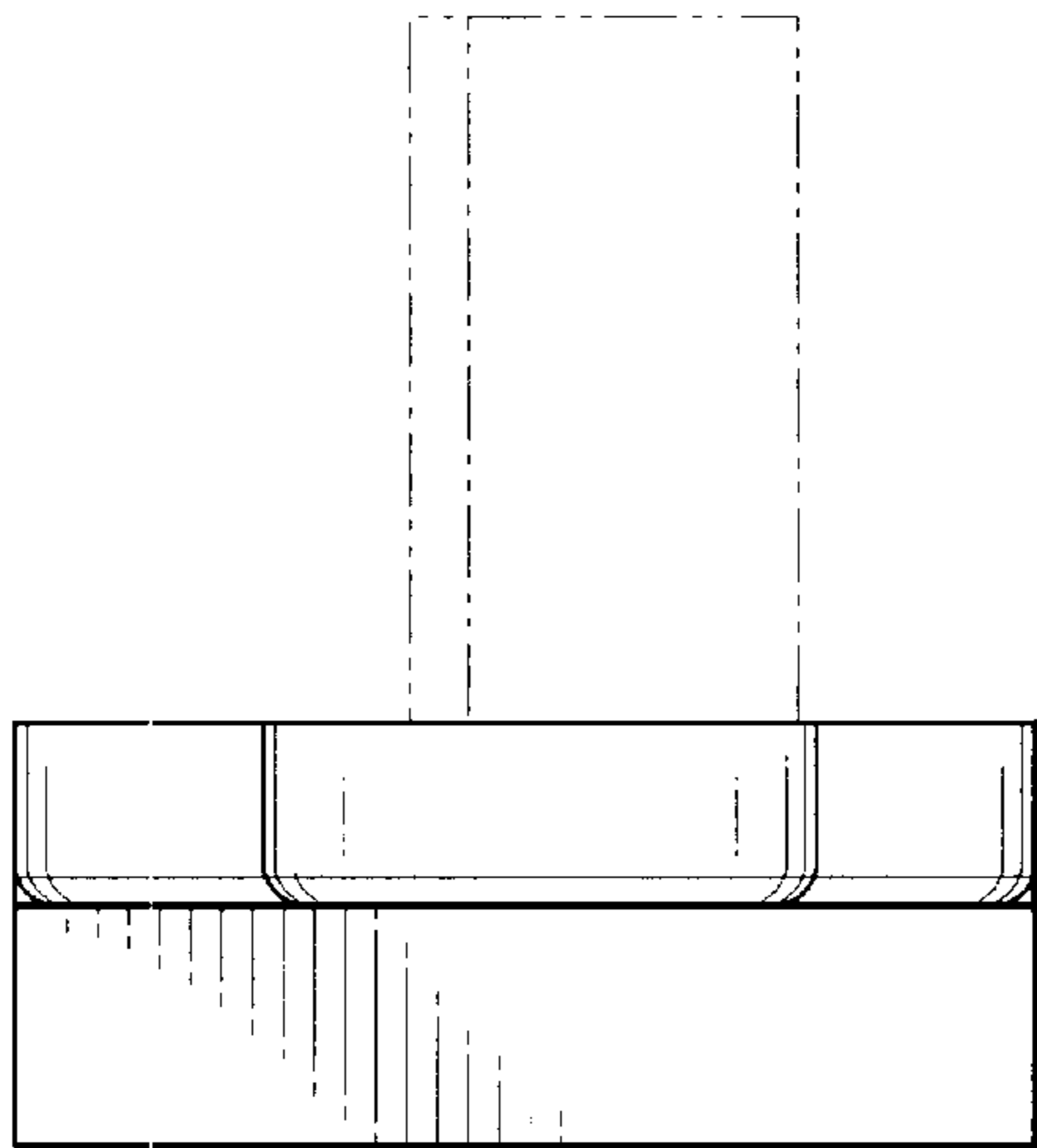


FIG - 6

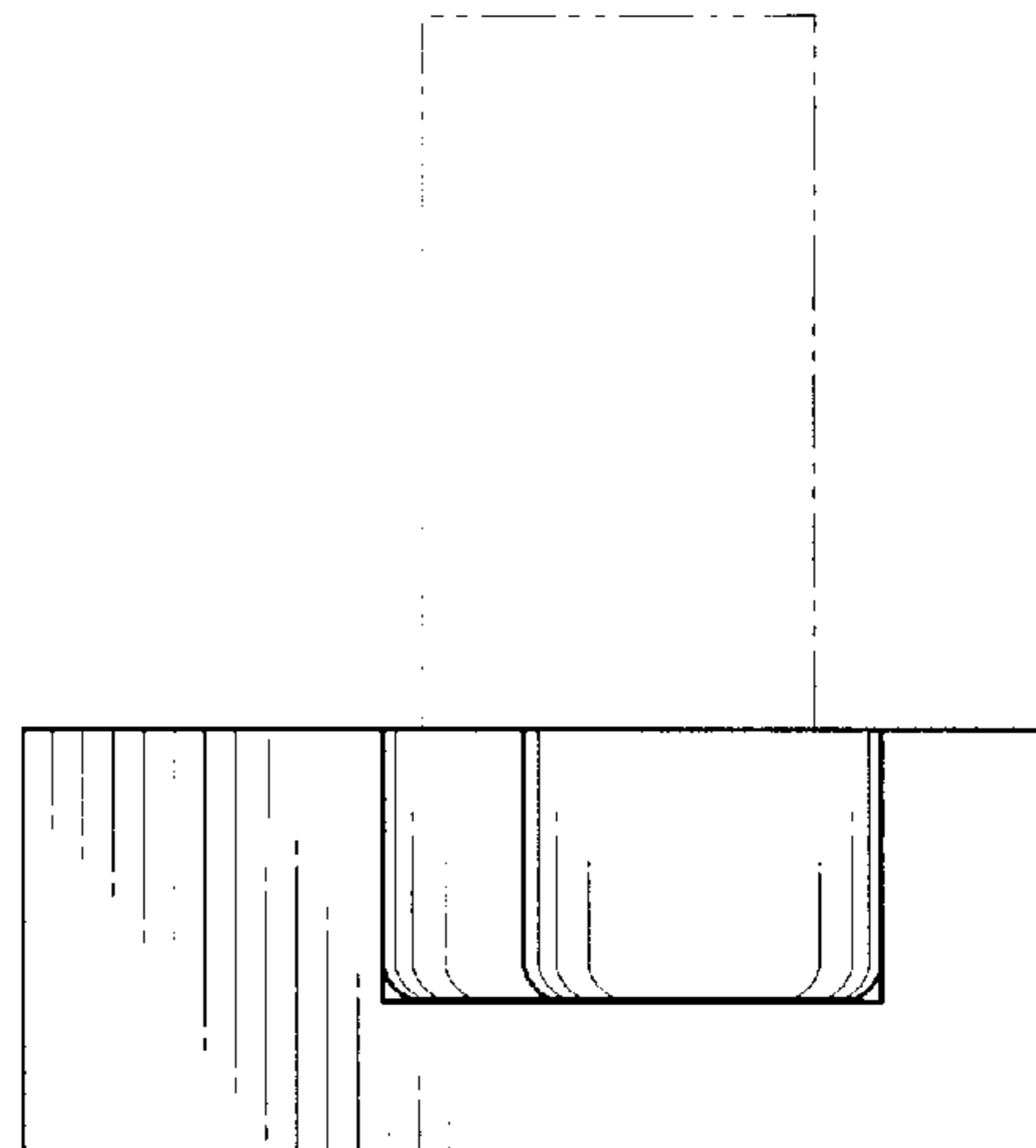


FIG - 7