



US00D541628S

(12) **United States Design Patent**
Arthurs et al.

(10) **Patent No.:** **US D541,628 S**

(45) **Date of Patent:** **** May 1, 2007**

(54) **PORTION OF AN OVER-CENTER DRAW LATCH**

4,116,479 A 9/1978 Poe 292/113
4,181,333 A 1/1980 Stelma 292/66

(75) Inventors: **Scott A. Arthurs**, Brunswick, OH (US);
Lee S. Weinerman, Medina, OH (US)

(Continued)

(73) Assignee: **The Eastern Company**, Cleveland, OH (US)

Primary Examiner—Mitchell Siegel

(74) *Attorney, Agent, or Firm*—David A. Burge

(**) Term: **14 Years**

(57) **CLAIM**

We claim the ornamental design for portion of an over-center draw latch, as shown and described.

(21) Appl. No.: **29/229,543**

DESCRIPTION

(22) Filed: **May 9, 2005**

(51) **LOC (8) Cl.** **08-07**

(52) **U.S. Cl.** **D8/331**

(58) **Field of Classification Search** D8/330–348;
292/80, 95, 102, 103, 110, 113, 114, 121,
292/217, 226, 228, 336.3, 300
See application file for complete search history.

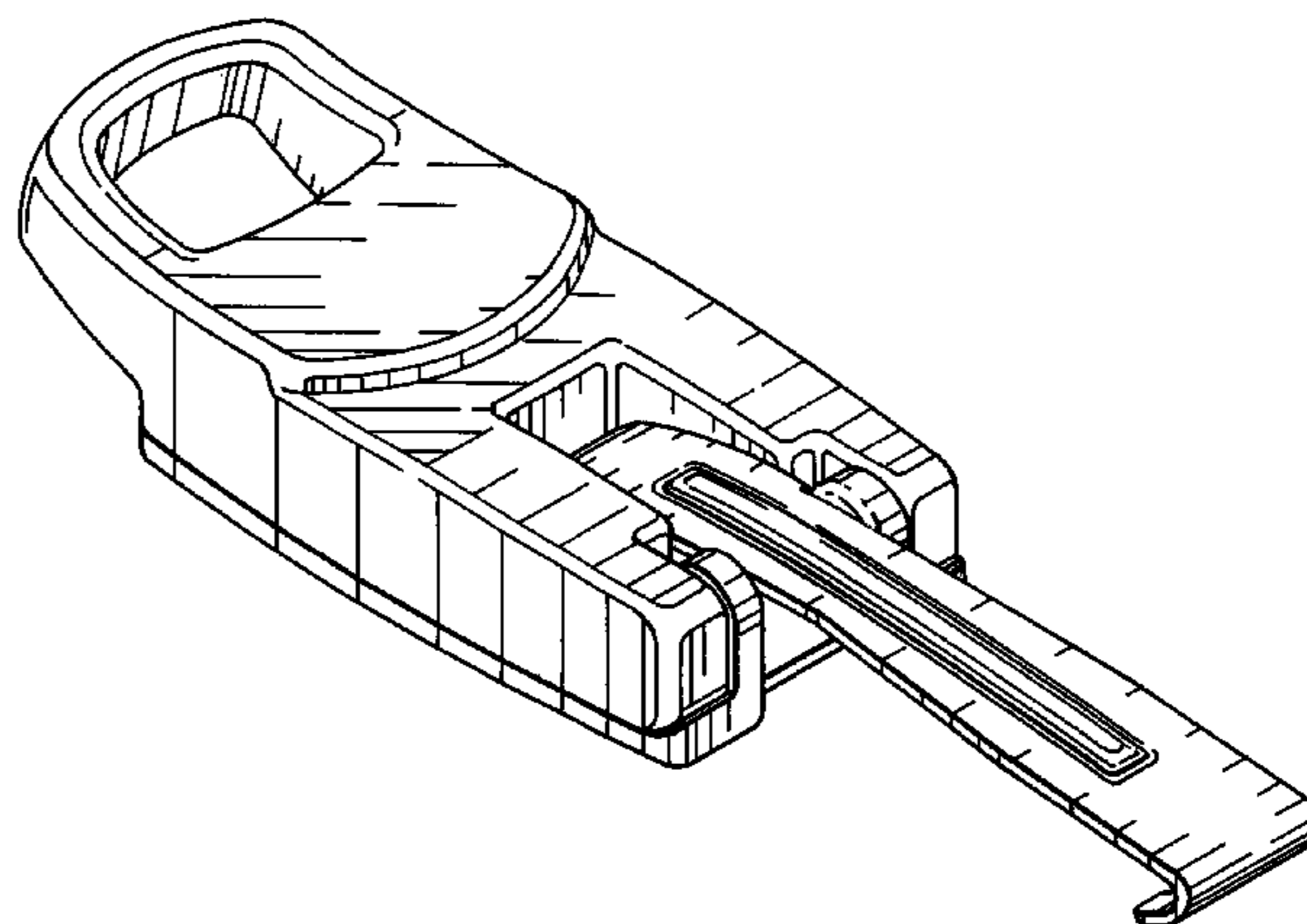
FIG. 1 is a front, top and right side perspective view of the portion of an over-center draw latch of our new design; FIG. 2 is a top view thereof; FIG. 3 is a front view thereof, the undisclosed opposite side being a mirror image; FIG. 4 is a left side view thereof; FIG. 5 is a right side view thereof; FIG. 6 is a front, top and right side perspective view of a second embodiment of the portion of an over-center draw latch as disclosed in FIG. 1; FIG. 7 is a top view of FIG. 6; FIG. 8 is a front view of FIG. 6, the undisclosed opposite side being a mirror image; FIG. 9 is a left side view of FIG. 6; FIG. 10 is a right side view of FIG. 6; FIG. 11 is a front, top and right side perspective view of a third embodiment of the portion of an over-center draw latch as disclosed in FIG. 1; FIG. 12 is a top view of FIG. 11; FIG. 13 is a front view of FIG. 11, the undisclosed opposite side being a mirror image; FIG. 14 is a left side view of FIG. 11; and, FIG. 15 is a right side view of FIG. 11. The broken line disclosure in several of the drawing figures is provided for illustrative purposes only and forms no part of the claimed design.

(56) **References Cited**

U.S. PATENT DOCUMENTS

1,614,046 A	1/1927	Schmidgall	292/341.18
1,734,282 A	11/1929	White	292/250
2,592,274 A	4/1952	Groeger	292/341.18
2,690,921 A	10/1954	Braun	292/113
2,704,218 A	3/1955	Claud-Mantle	292/113
2,710,214 A	6/1955	Summers	292/247
2,795,946 A	6/1957	Check	70/76
2,829,912 A	4/1958	Koch	292/114
3,162,419 A	12/1964	Blasingame	248/361
3,181,905 A	5/1965	Bisbing	292/109
3,454,295 A	7/1969	Schlage et al.	292/341.18
3,466,076 A	9/1969	Bisbing	292/109
3,490,805 A	1/1970	Pierro et al.	292/258
3,519,298 A	7/1970	Gley et al.	292/113
3,584,906 A	6/1971	Budzyn	292/247
3,847,423 A	* 11/1974	Gley	292/113
3,936,082 A	2/1976	Swanson	292/113

1 Claim, 9 Drawing Sheets



US D541,628 S

Page 2

U.S. PATENT DOCUMENTS

4,212,606 A	7/1980	Sachleben, Sr.	425/72	5,165,148 A	11/1992	Fleischer et al.	24/494
D257,218 S	10/1980	Eriksson	D8/8	D333,775 S	3/1993	Krape	D8/342
4,243,255 A	1/1981	Hornak	292/113	5,257,839 A	11/1993	Nielsen et al.	292/113
4,307,906 A	12/1981	Schenk	292/247	5,271,649 A	12/1993	Gromotka	292/113
4,326,739 A	4/1982	Schlueter	292/247	D343,782 S	2/1994	Gromotka et al.	D8/331
4,493,133 A	1/1985	Nilsson	24/68	5,287,602 A	2/1994	Dykstra	24/463
4,522,436 A *	6/1985	Hoen et al.	292/113	5,445,422 A	8/1995	Weinerman et al.	292/247
4,530,529 A	7/1985	Poe et al.	292/113	D361,929 S	9/1995	Weinerman et al.	D8/336
4,531,769 A	7/1985	Glancy	292/113	5,452,926 A	9/1995	Takimoto	292/113
4,540,206 A	9/1985	Frame et al.	292/66	D364,082 S	11/1995	Weinerman et al.	D8/331
4,588,216 A	5/1986	Hinds	292/113	D366,204 S	1/1996	Weinerman et al.	D8/338
4,705,308 A	11/1987	Bisbing	292/108	5,505,065 A	4/1996	Hesse	70/73
4,768,815 A	9/1988	Harmon	292/113	D378,985 S	4/1997	Weinerman et al.	D8/338
4,801,165 A	1/1989	Pyle	292/249	D382,462 S	8/1997	Arthurs et al.	D8/343
4,804,215 A	2/1989	Bisbing	292/113	5,667,261 A	9/1997	Weinerman et al.	292/247
4,828,298 A	5/1989	Bisbing	292/113	6,032,988 A	3/2000	Klein	292/247
4,830,413 A	5/1989	Bisbing	292/247	D424,406 S	5/2000	Frey	D8/331
4,890,869 A	1/1990	Langkamp, Jr.	292/113	D429,618 S *	8/2000	Tieu	D8/331
4,936,239 A	6/1990	Awalt, Jr.	114/199	D435,780 S *	1/2001	Tieu	D8/331
D324,165 S	2/1992	Bressler et al.	D8/331	6,397,644 B1	6/2002	Gidding	70/18
5,131,246 A	7/1992	Bonzer	70/260				

* cited by examiner

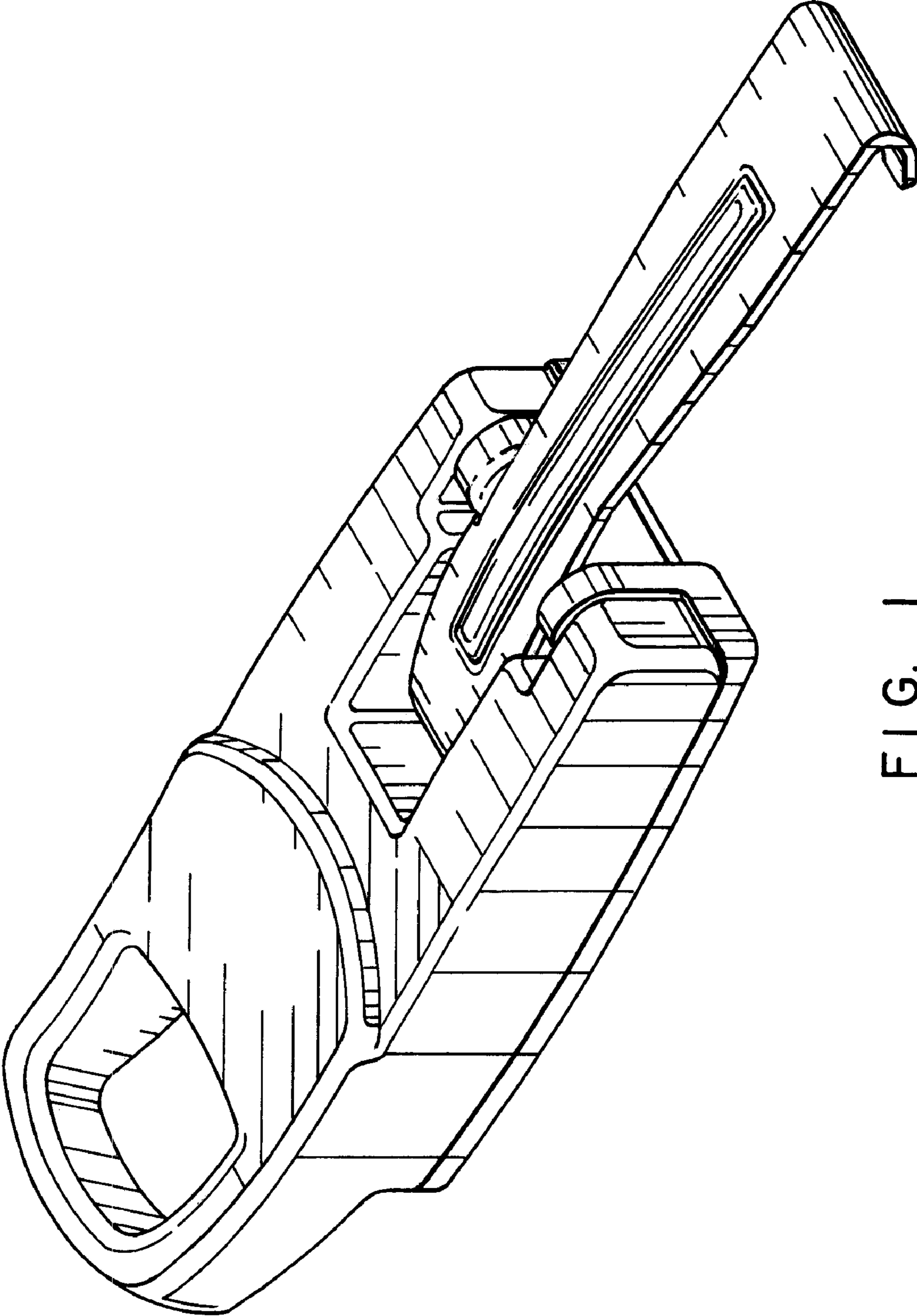


FIG. 1

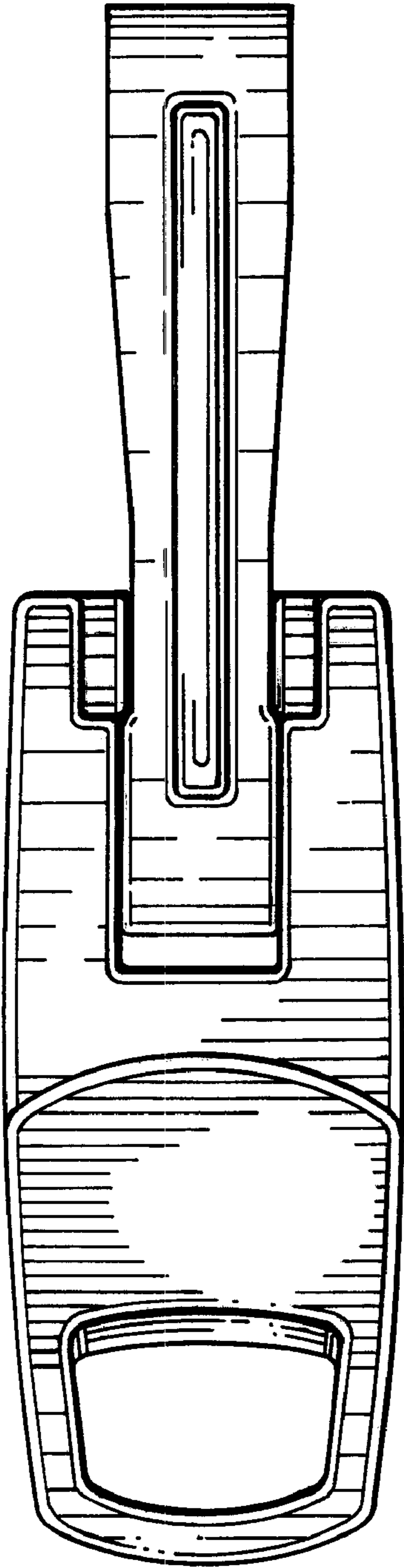


FIG. 2

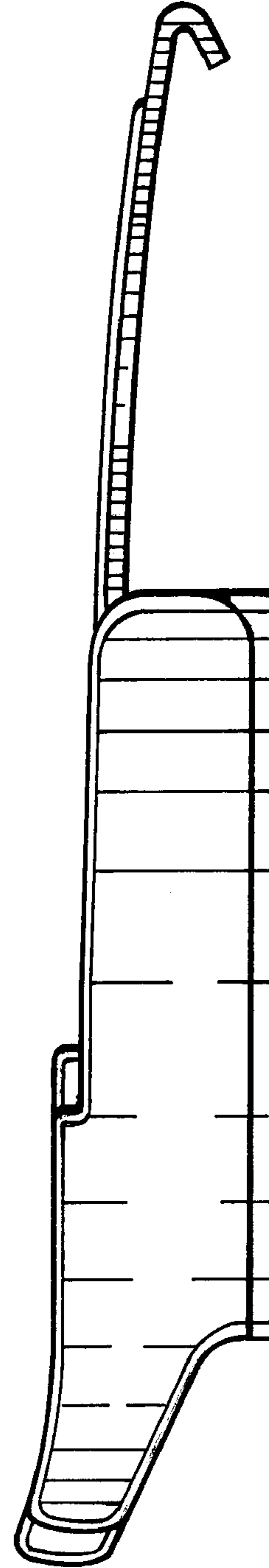


FIG. 3

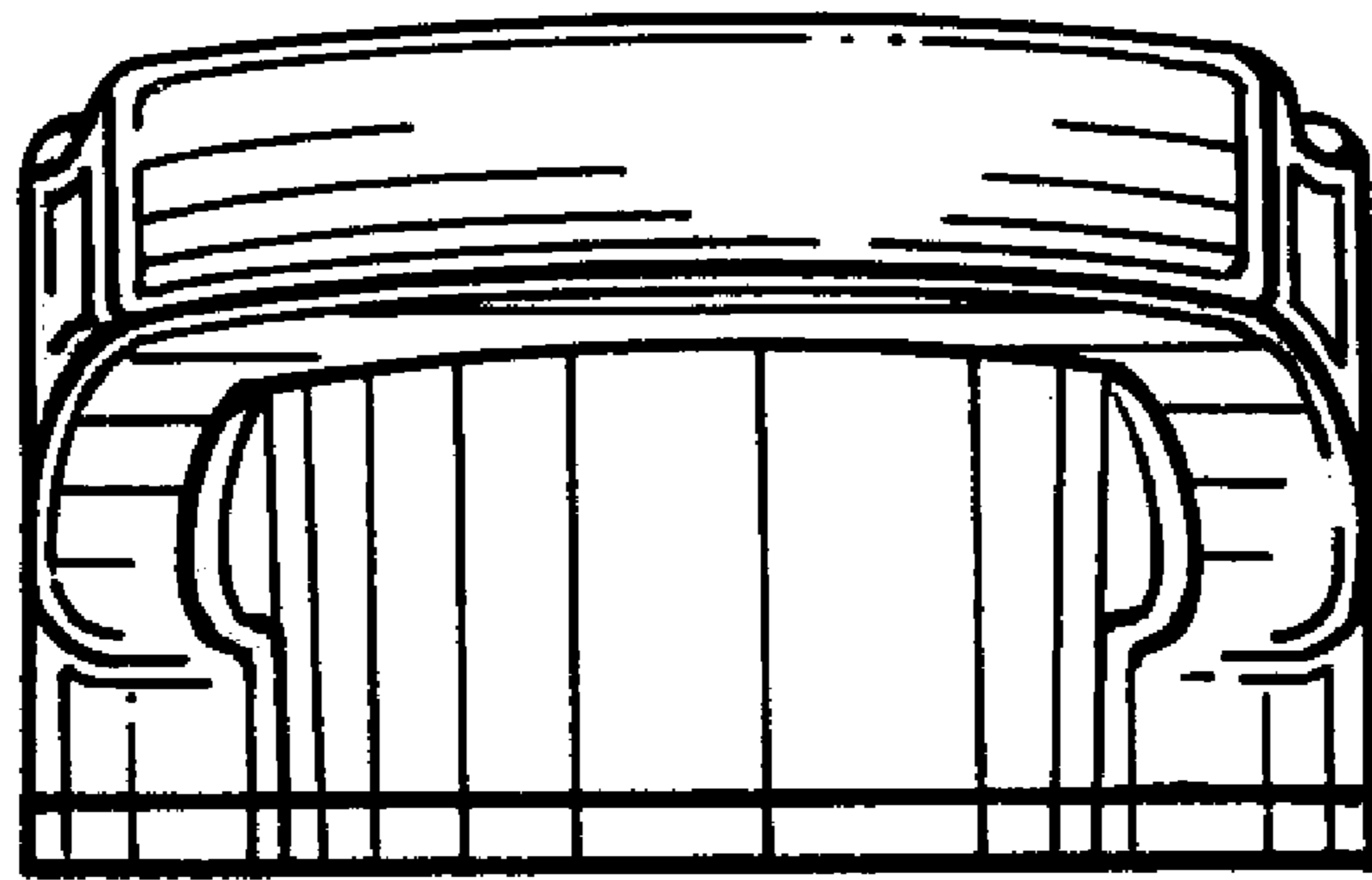


FIG. 4

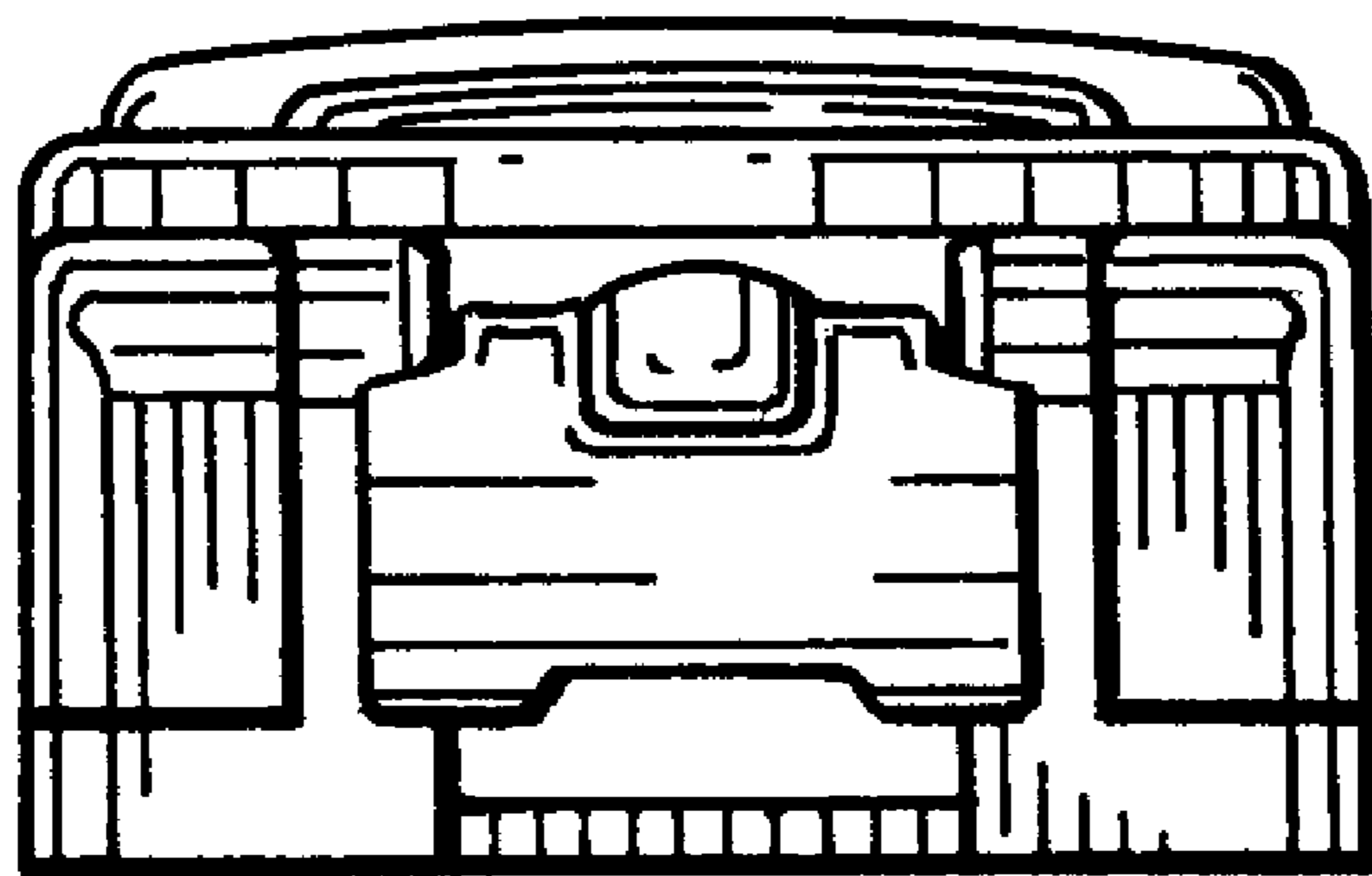


FIG. 5

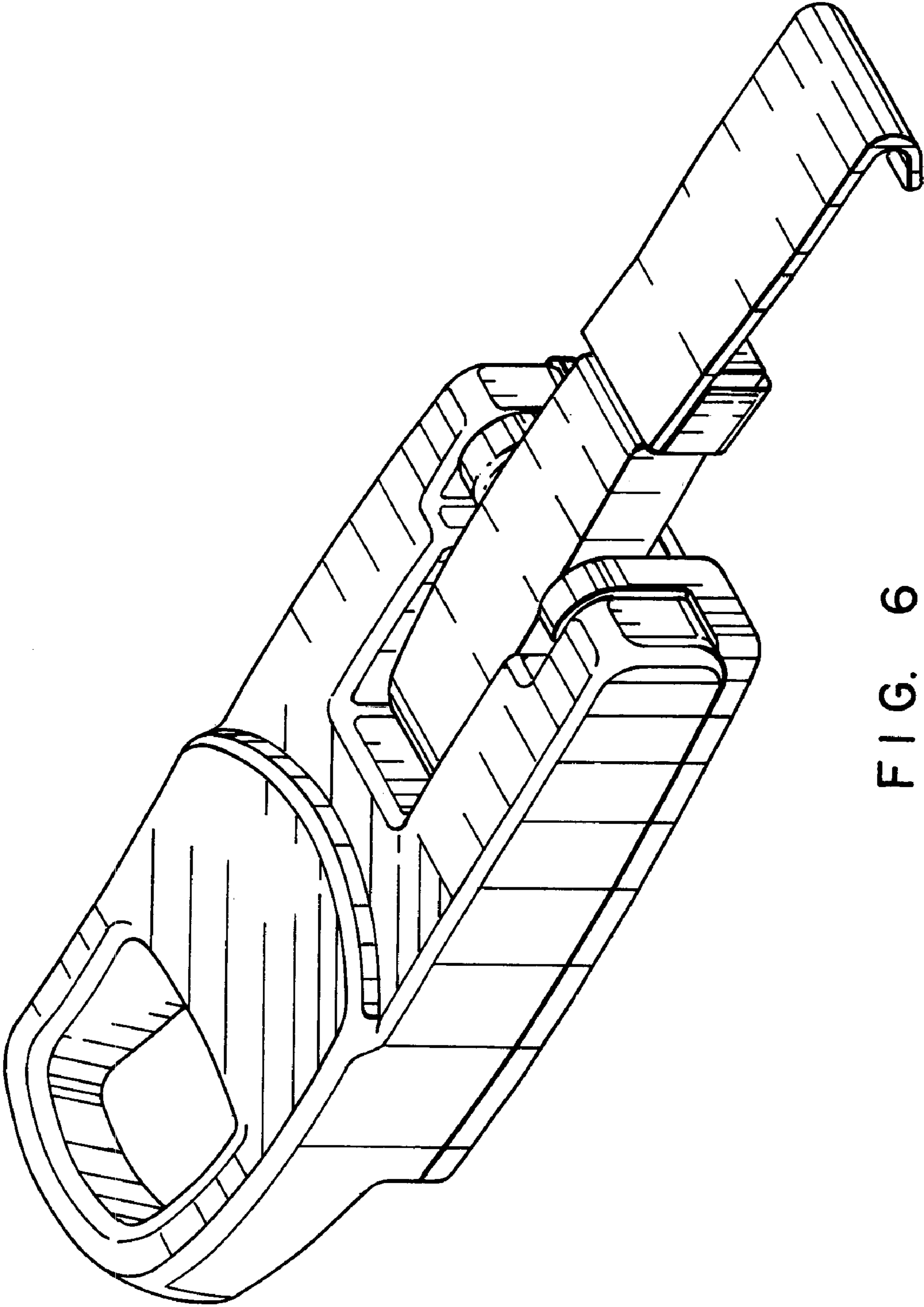


FIG. 6

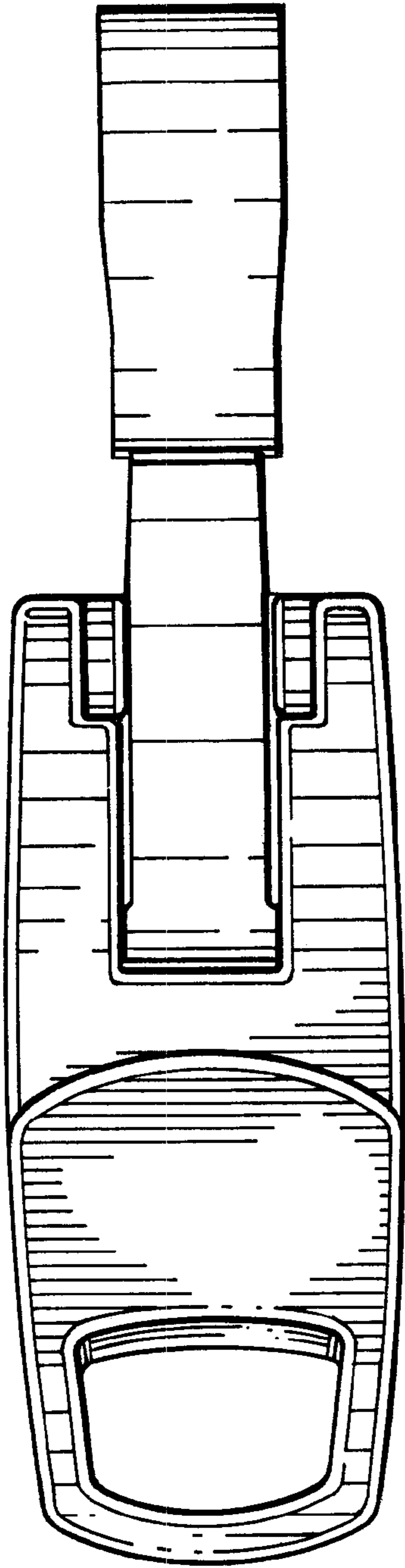


FIG. 7

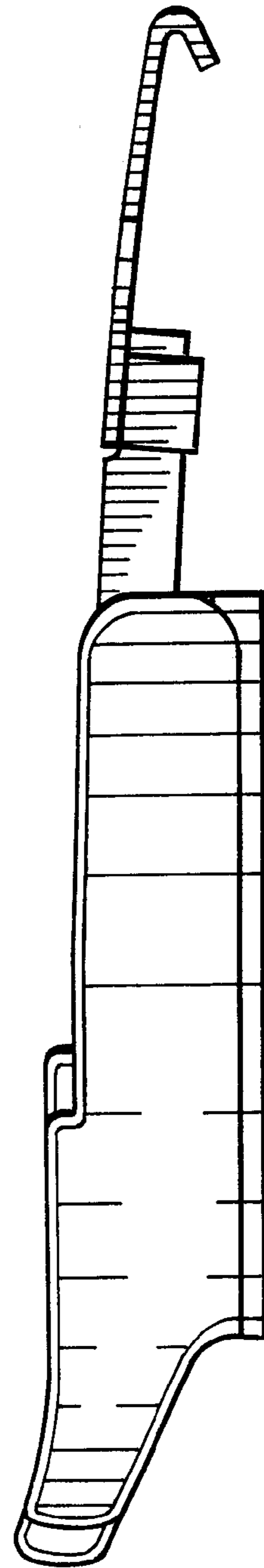


FIG. 8

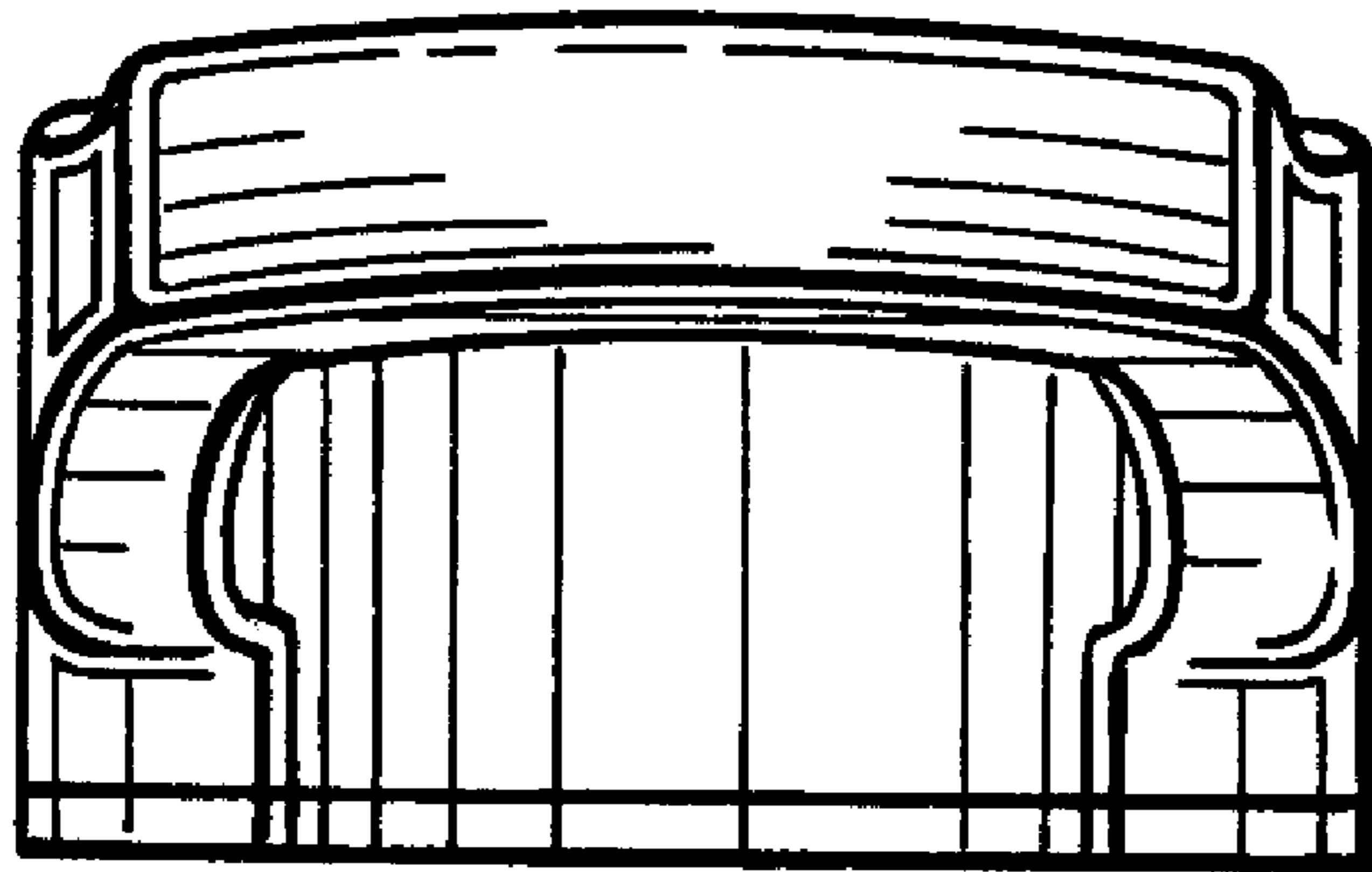


FIG. 9

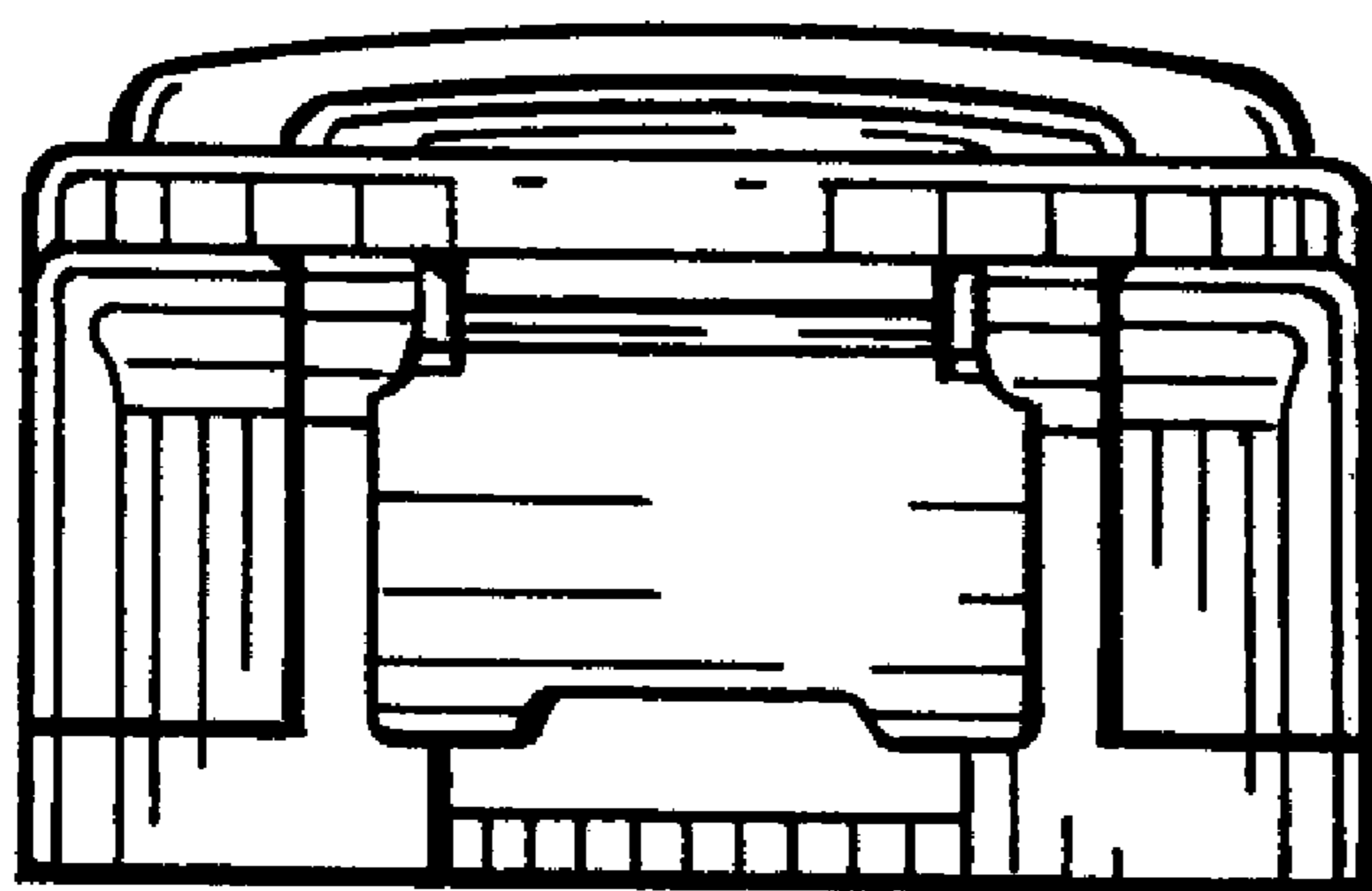


FIG. 10

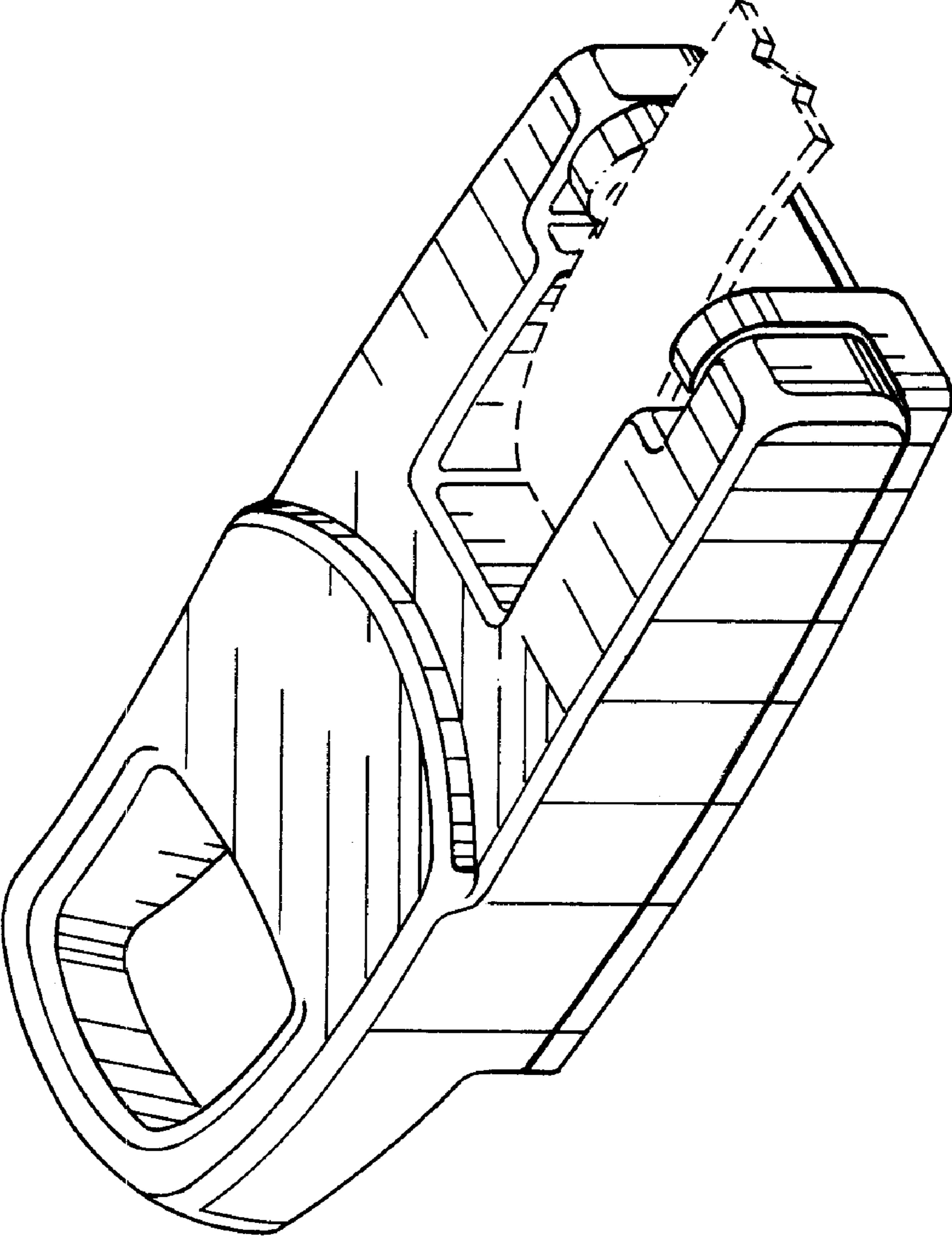


FIG. 11

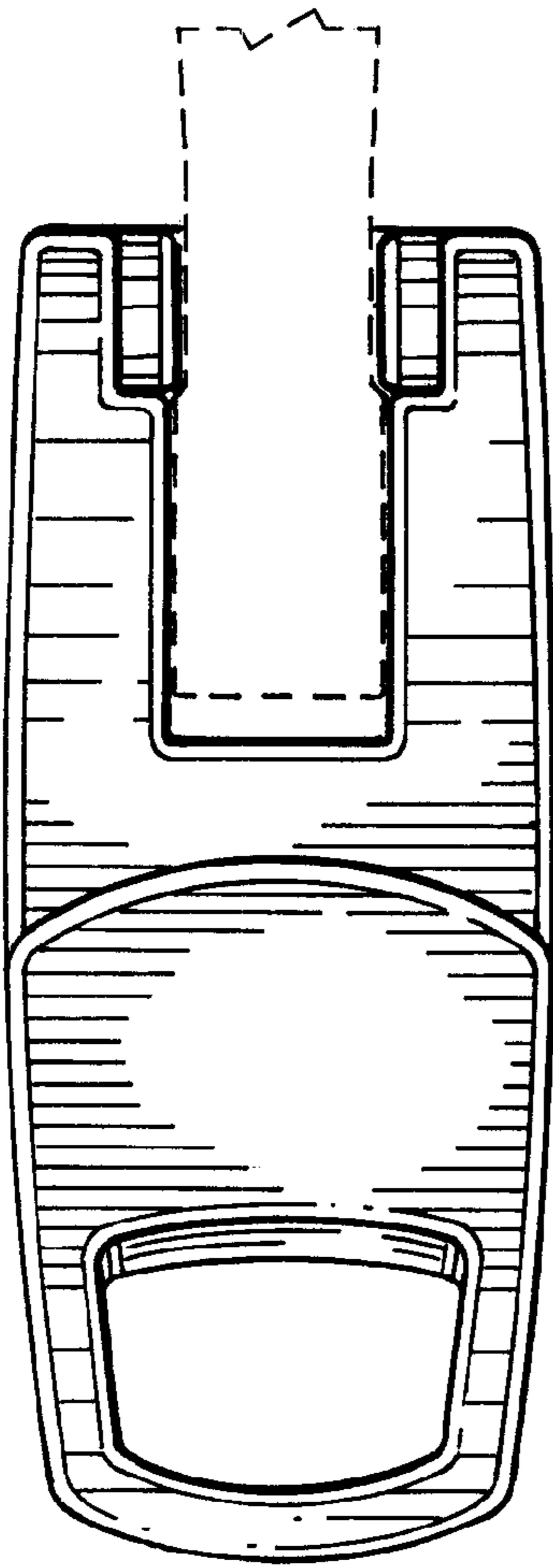


FIG. 12

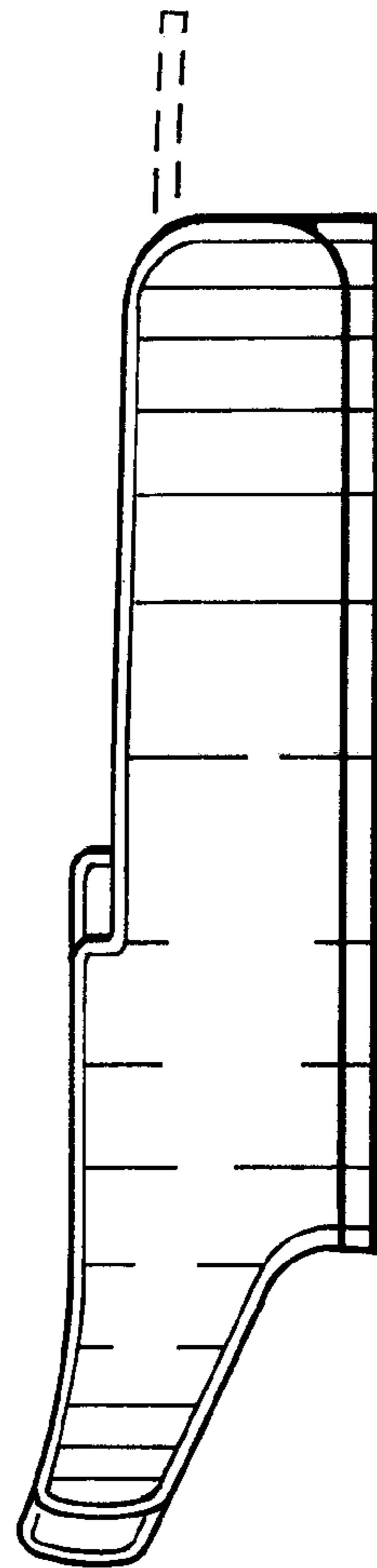


FIG. 13

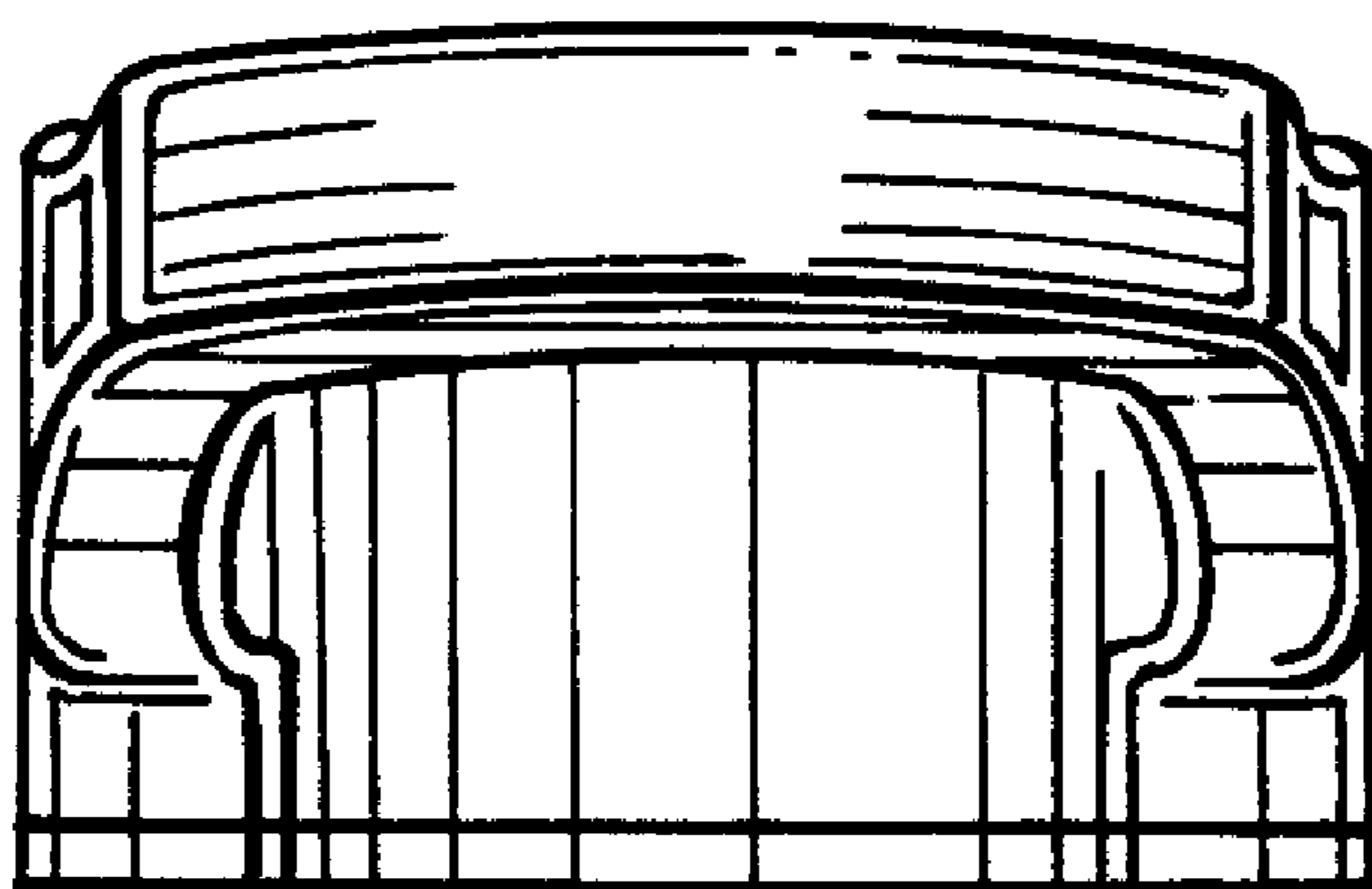


FIG. 14

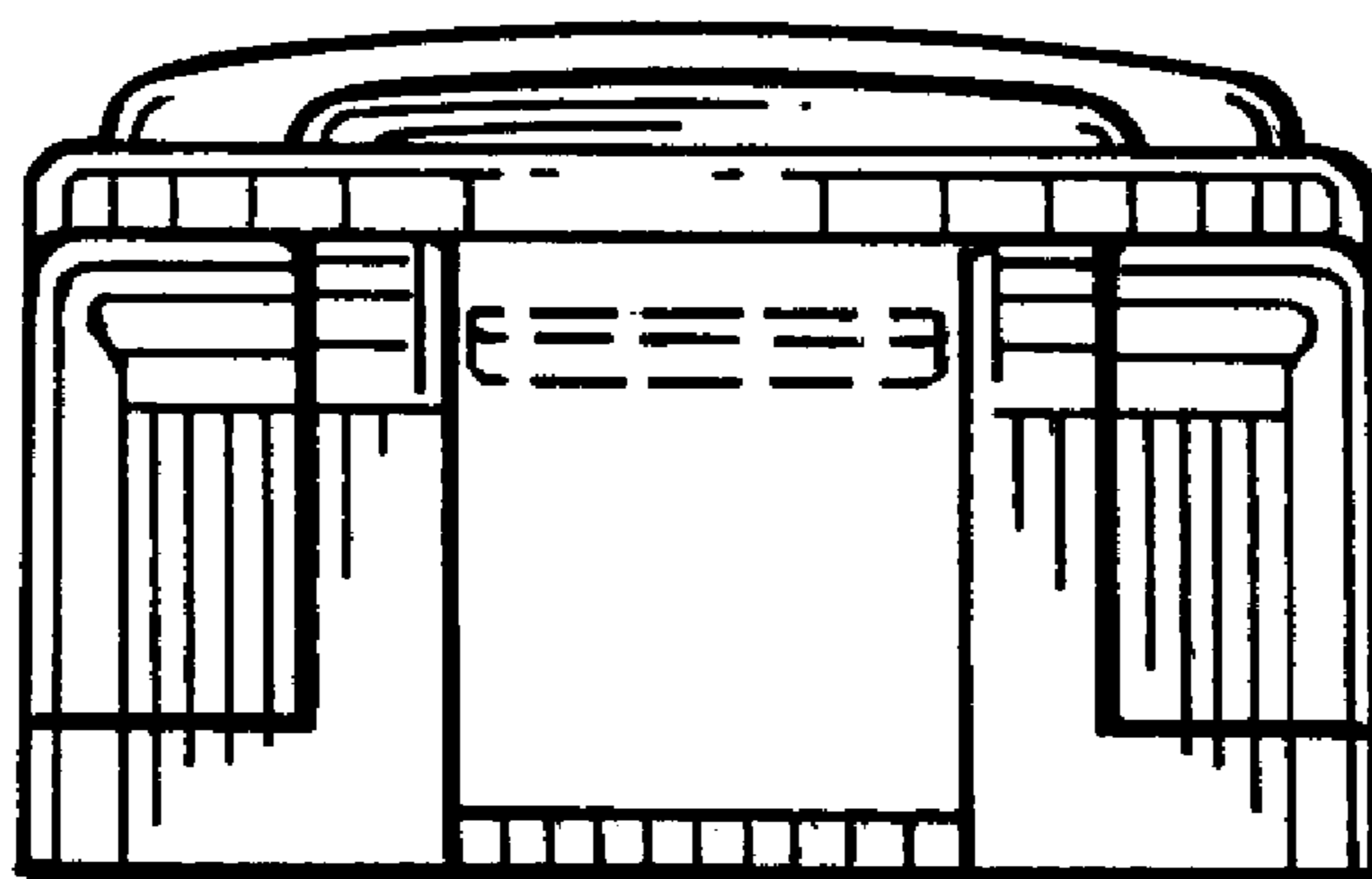


FIG. 15