

US00D541627S

(12) **United States Design Patent**
Wolf

(10) **Patent No.:** **US D541,627 S**

(45) **Date of Patent:** **** May 1, 2007**

(54) **JEWELRY BOX LOCK**

(75) Inventor: **Simon Wolf**, Malibu, CA (US)

(73) Assignee: **Wolf Designs, Inc.**, Malibu, CA (US)

(**) Term: **14 Years**

(21) Appl. No.: **29/200,098**

(22) Filed: **Feb. 23, 2004**

(51) **LOC (8) Cl.** **08-07**

(52) **U.S. Cl.** **D8/331**

(58) **Field of Classification Search** D8/330-348;
70/78, 80, 129, 141, 142, 69, 208, 210; 292/DIG. 14,
292/DIG. 10; D3/291, 294, 297; D6/470;
D26/37

See application file for complete search history.

(56) **References Cited**

U.S. PATENT DOCUMENTS

D179,723 S	*	2/1957	Gehrie	D8/331
D193,806 S	*	10/1962	Humphies	D8/331
3,121,318 A	*	2/1964	Norrenberg-Sudhaus	70/69
D358,978 S	*	6/1995	Gisiger	D8/331
D417,783 S	*	12/1999	Wolf	D3/297
D424,405 S	*	5/2000	Schlack et al.	D8/331

D449,944 S	*	11/2001	Wolf	D6/470
D454,405 S	*	3/2002	Lau	D26/37
6,412,316 B1	*	7/2002	Buss	70/69
D467,428 S	*	12/2002	Wolf	D3/291
D479,912 S	*	9/2003	Wolf	D3/294
D482,593 S	*	11/2003	Wolf	D8/331
D501,132 S	*	1/2005	Wolf	D8/331

* cited by examiner

Primary Examiner—Mitchell Siegel

(74) *Attorney, Agent, or Firm*—Cislo & Thomas LLP

(57) **CLAIM**

I claim the ornamental design for a jewelry box lock, as shown and described herein.

DESCRIPTION

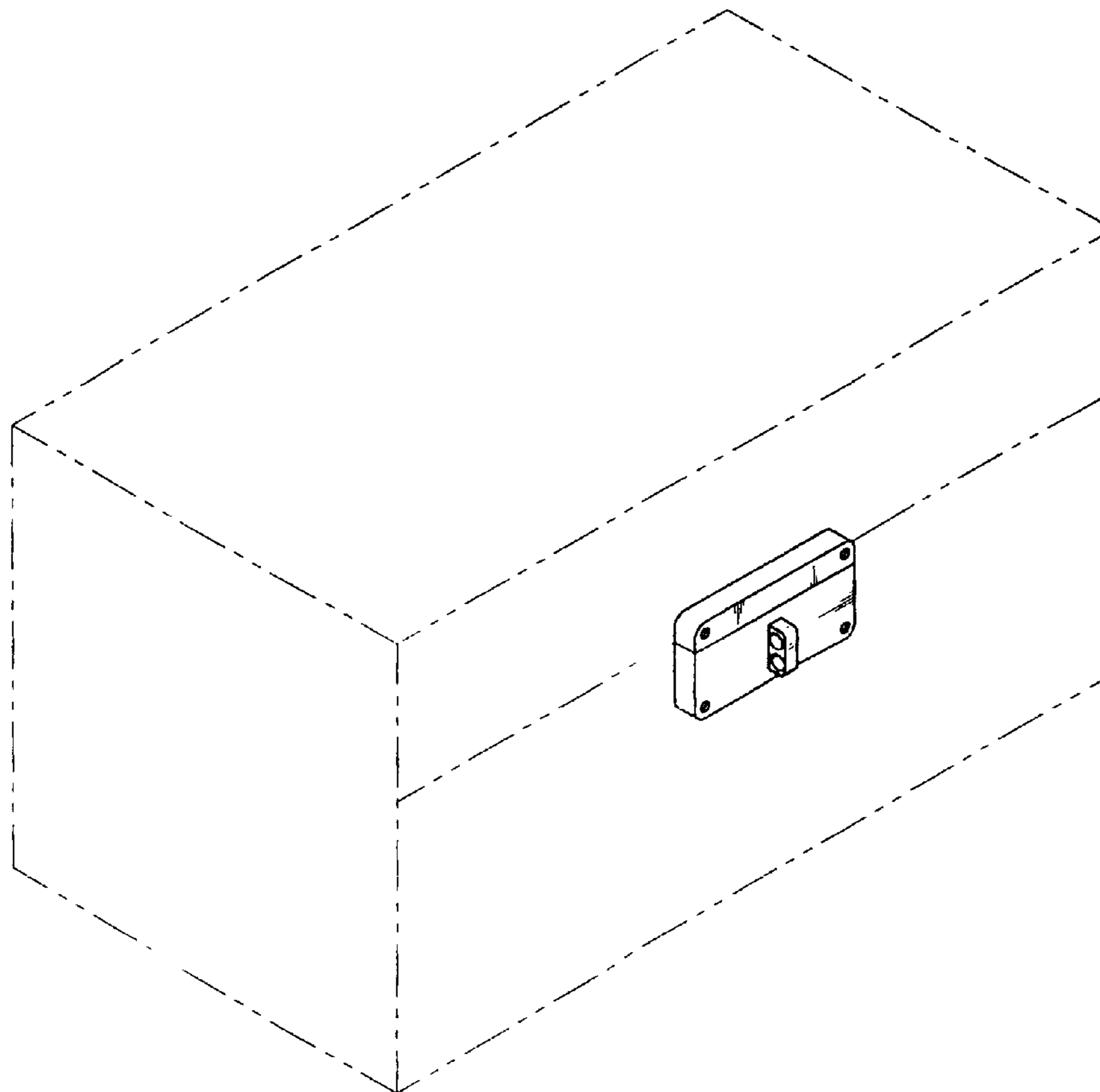
FIG. 1 Is a front perspective view of my jewelry box lock with the dotted line illustrations being for illustrative purposes only and to which no claim is made;

FIG. 2 Is a front view of my jewelry box lock;

FIG. 3 Is a top plan view thereof with the bottom plan view being a mirror image thereof; and,

FIG. 4 Is a right side elevational view thereof with the left side elevational view being a mirror image thereof;

1 Claim, 2 Drawing Sheets



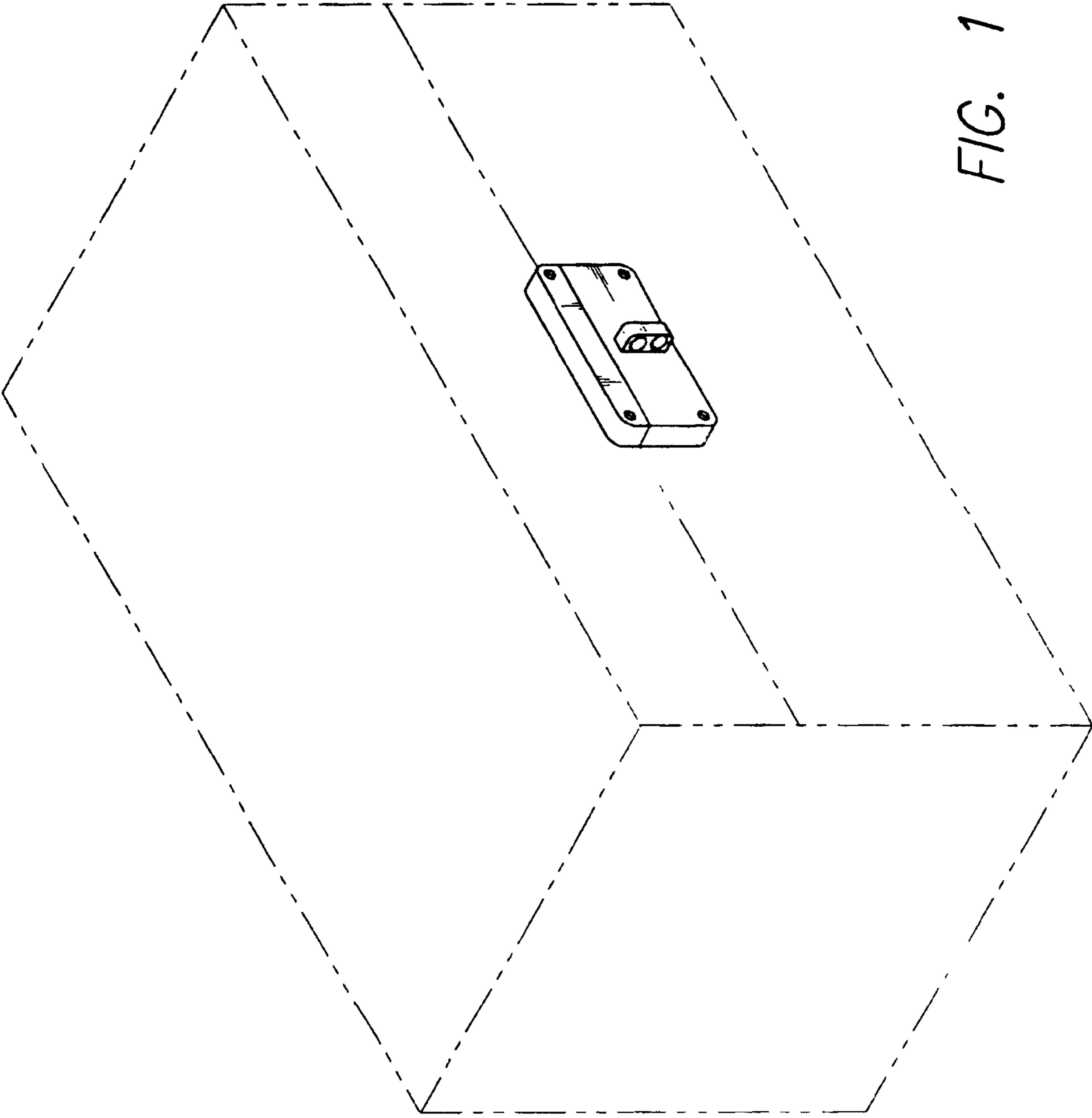


FIG. 1

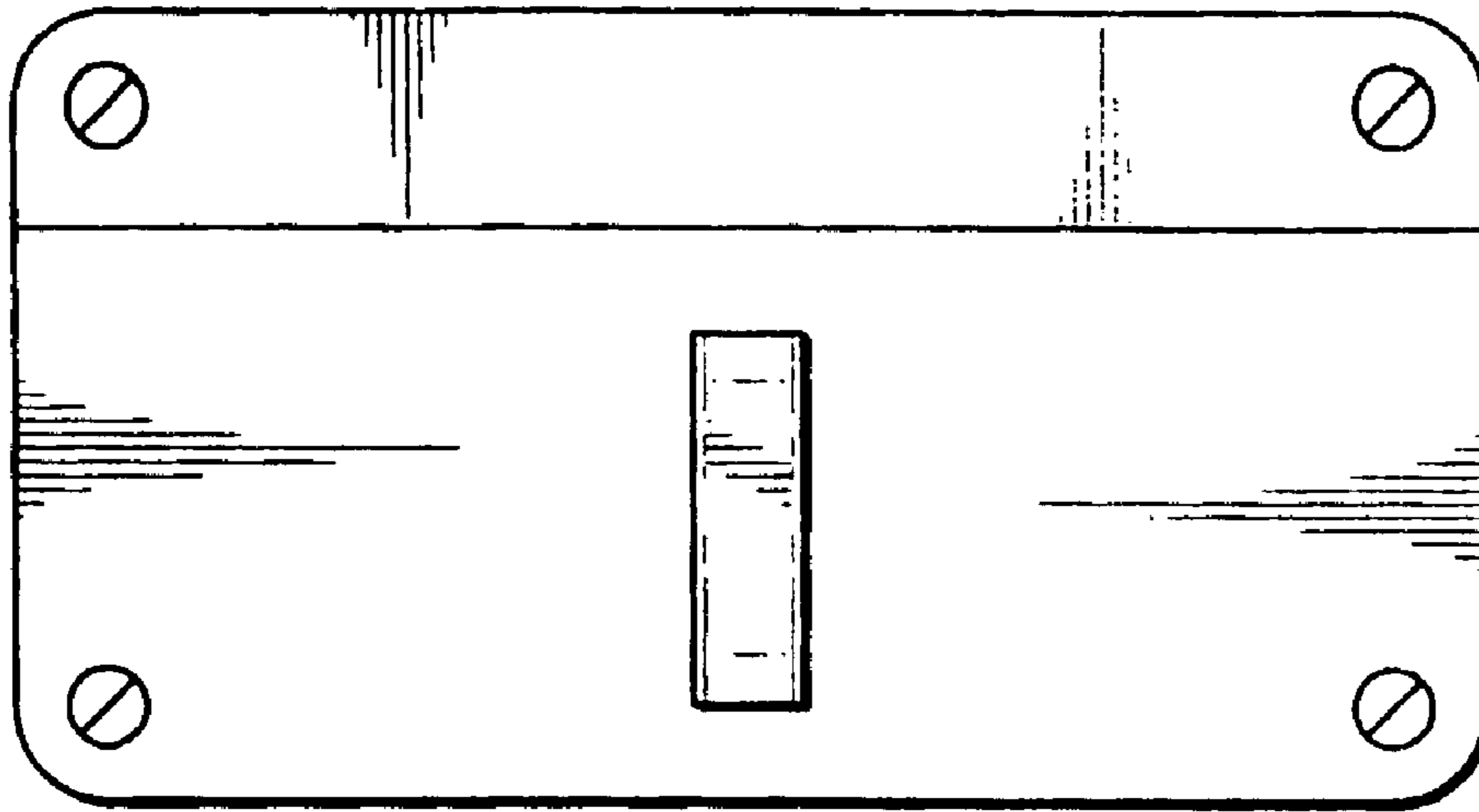


FIG. 2

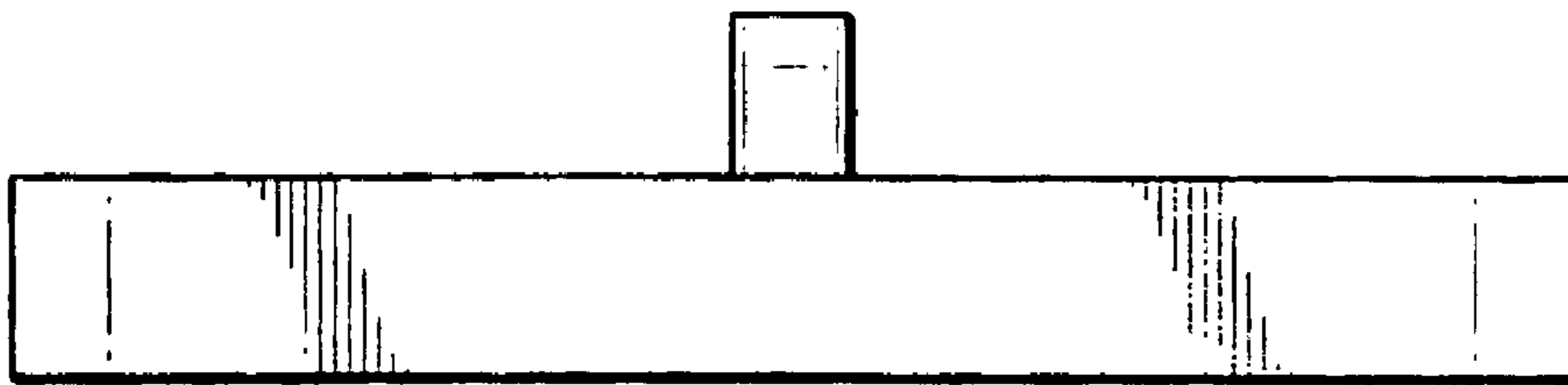


FIG. 3

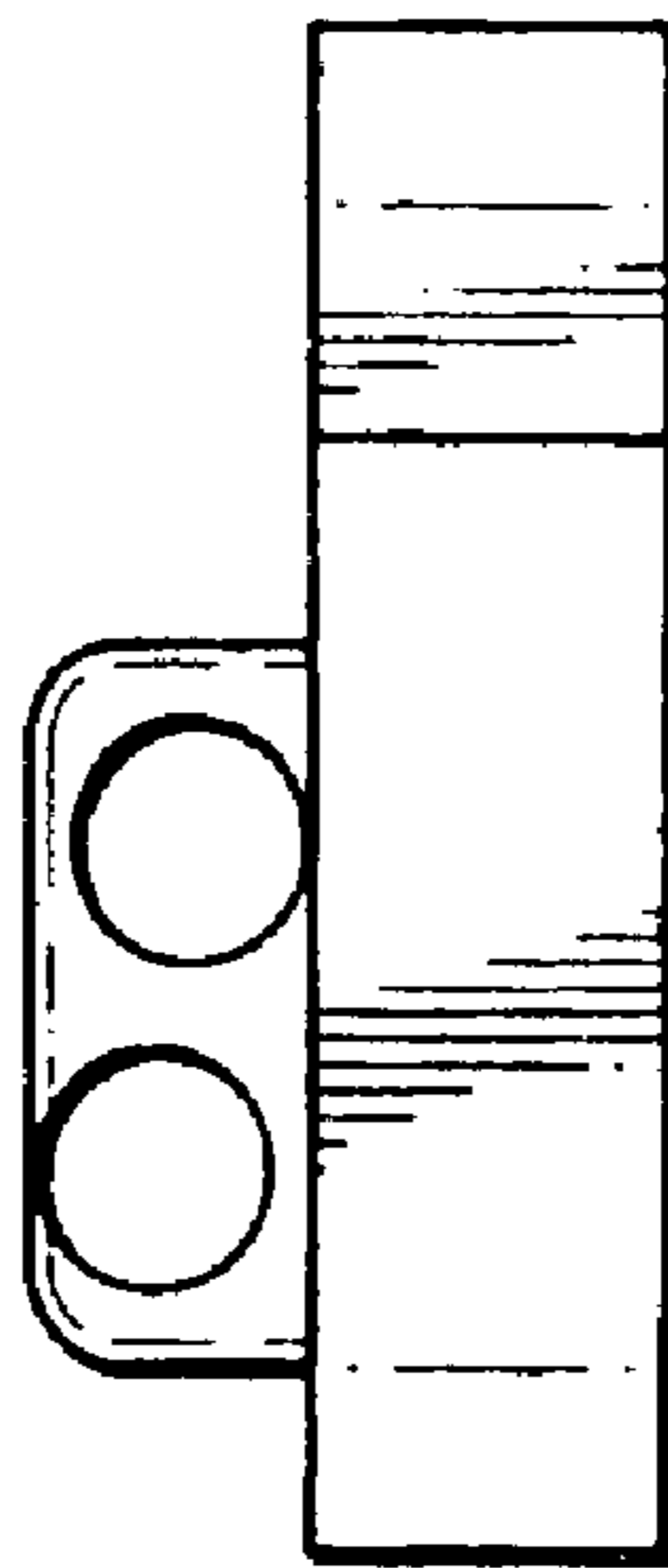


FIG. 4