



US00D541624S

(12) **United States Design Patent**
Franchini

(10) **Patent No.:** **US D541,624 S**

(45) **Date of Patent:** **** May 1, 2007**

(54) **DETENT POSITION HINGE**

FOREIGN PATENT DOCUMENTS

(75) Inventor: **Gian Carlo Franchini**, Correggio (IT)

GB 2024164 S * 4/1992

(73) Assignee: **Elesa S.p.A.**, Milan (IT)

OTHER PUBLICATIONS

(**) Term: **14 Years**

ELESA; CAT CT 010-ENG; Oct. 2000; cover page, p. 61 and back cover; Monza, Italy.

(21) Appl. No.: **29/244,910**

* cited by examiner

(22) Filed: **Dec. 15, 2005**

Primary Examiner—T. Chase Nelson

(51) **LOC (8) Cl.** **08-06**

(74) *Attorney, Agent, or Firm*—Pearne & Gordon LLP

(52) **U.S. Cl.** **D8/328**

(57) **CLAIM**

(58) **Field of Classification Search** D8/323,
D8/324, 325, 326, 327, 328, 329, 349, 354,
D8/356; 16/234-237, 239-241, 245-246,
16/249, 254, 261-262, 265, 272, 277, 307,
16/319, 335, 339, 342, 379, 381-383, 384,
16/385, 386, 387, 388, 389, DIG. 13, DIG. 40,
16/DIG. 43, 221, 309, 316; D23/303; 248/200,
248/221.11, 300, 309.1, 317; 4/236-240

The ornamental design for a detent position hinge, as shown and described.

See application file for complete search history.

DESCRIPTION

(56) **References Cited**

FIG. 1 is a first perspective view of my new detent position hinge;
FIG. 2 is a front view thereof;
FIG. 3 is a top view thereof;
FIG. 4 is a right side view thereof;
FIG. 5 is a left side view thereof;
FIG. 6 is a bottom view thereof; and,
FIG. 7 is a second perspective view showing my new detent position hinge in an alternative position.

U.S. PATENT DOCUMENTS

D344,667 S * 3/1994 Riblett et al. D8/327
D352,678 S * 11/1994 Fildan D8/323
D385,475 S * 10/1997 Bolinas et al. D8/328
5,765,263 A * 6/1998 Bolinas et al. 16/342

1 Claim, 1 Drawing Sheet

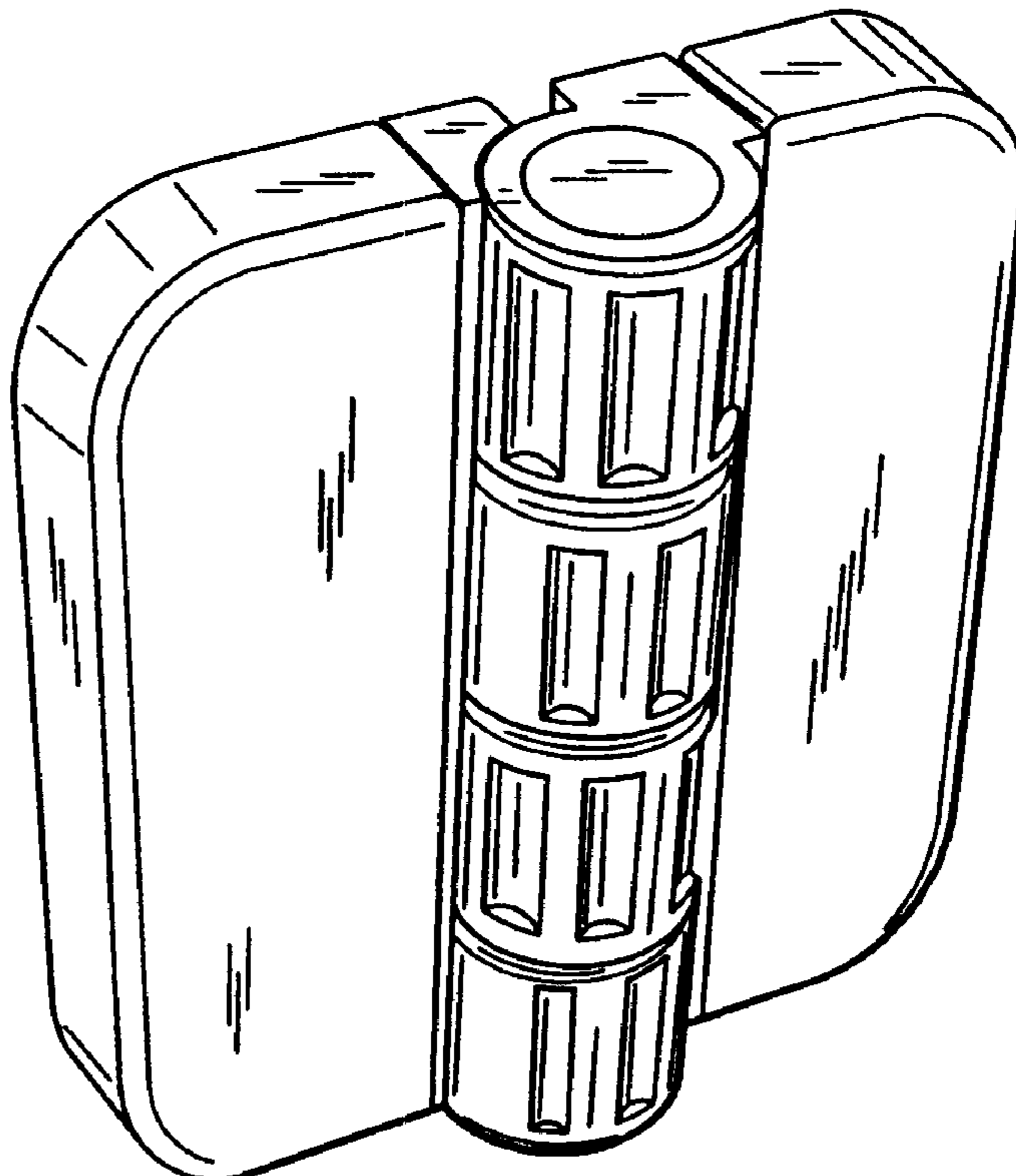


FIG. 1

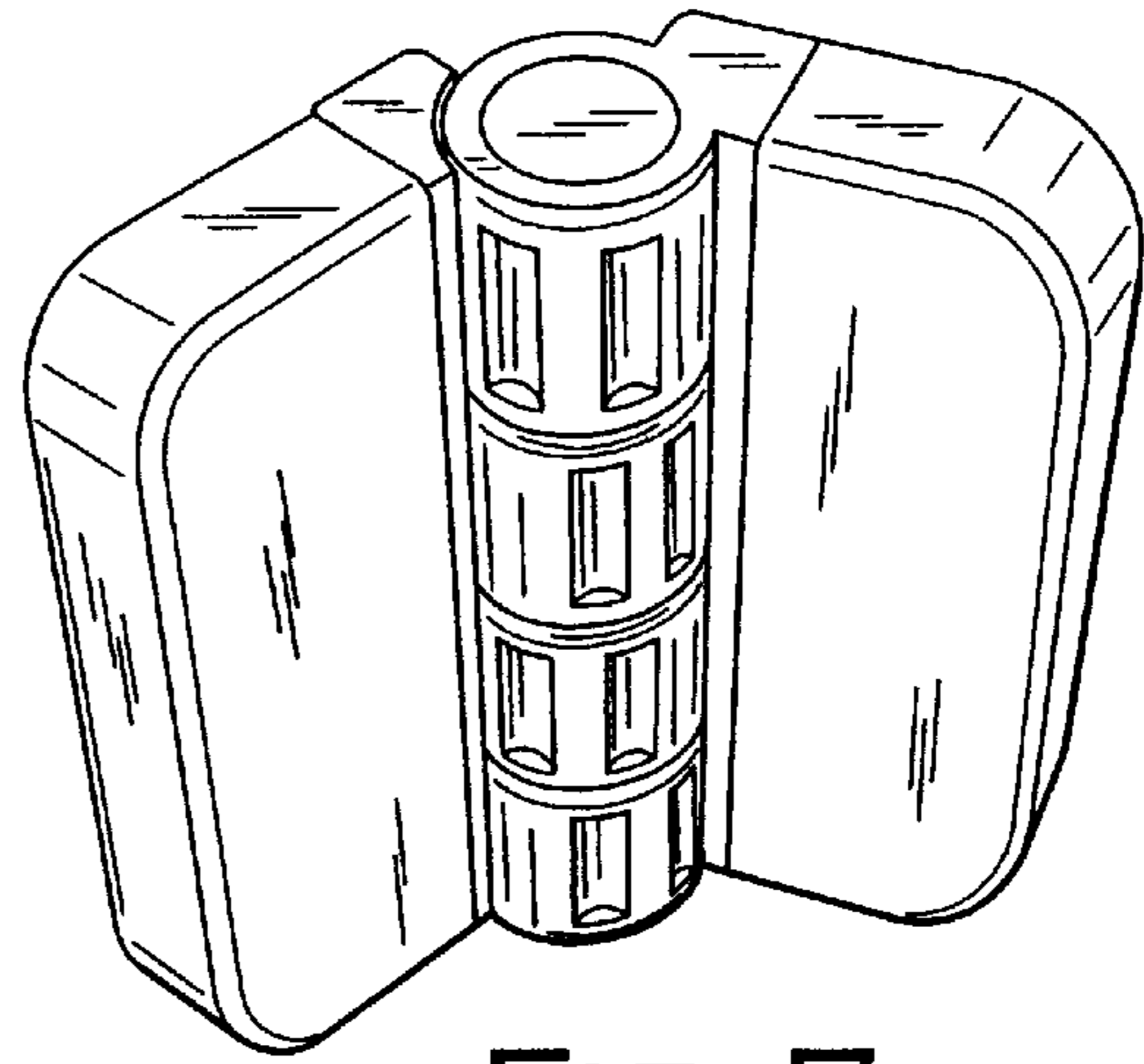
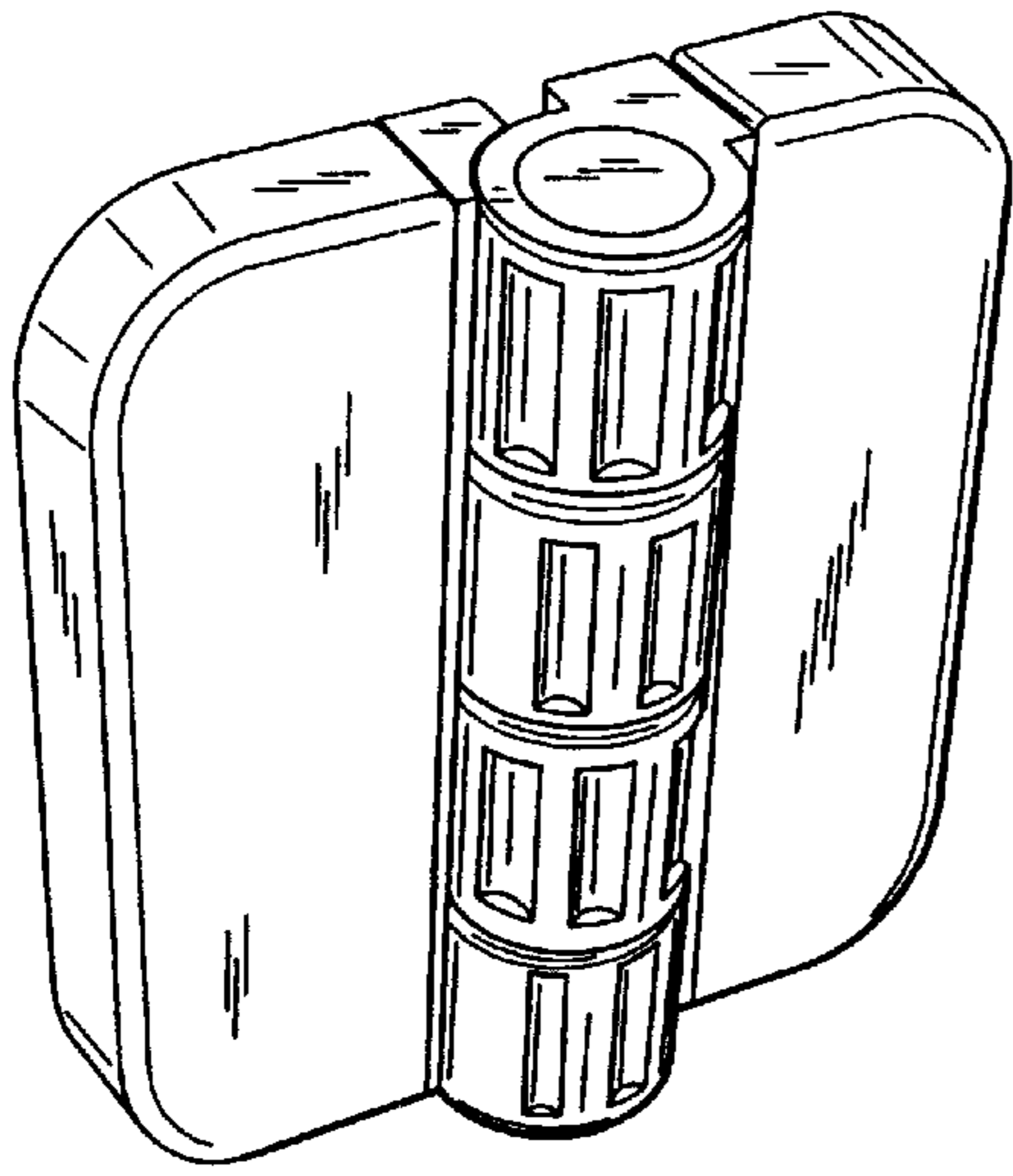


FIG. 7

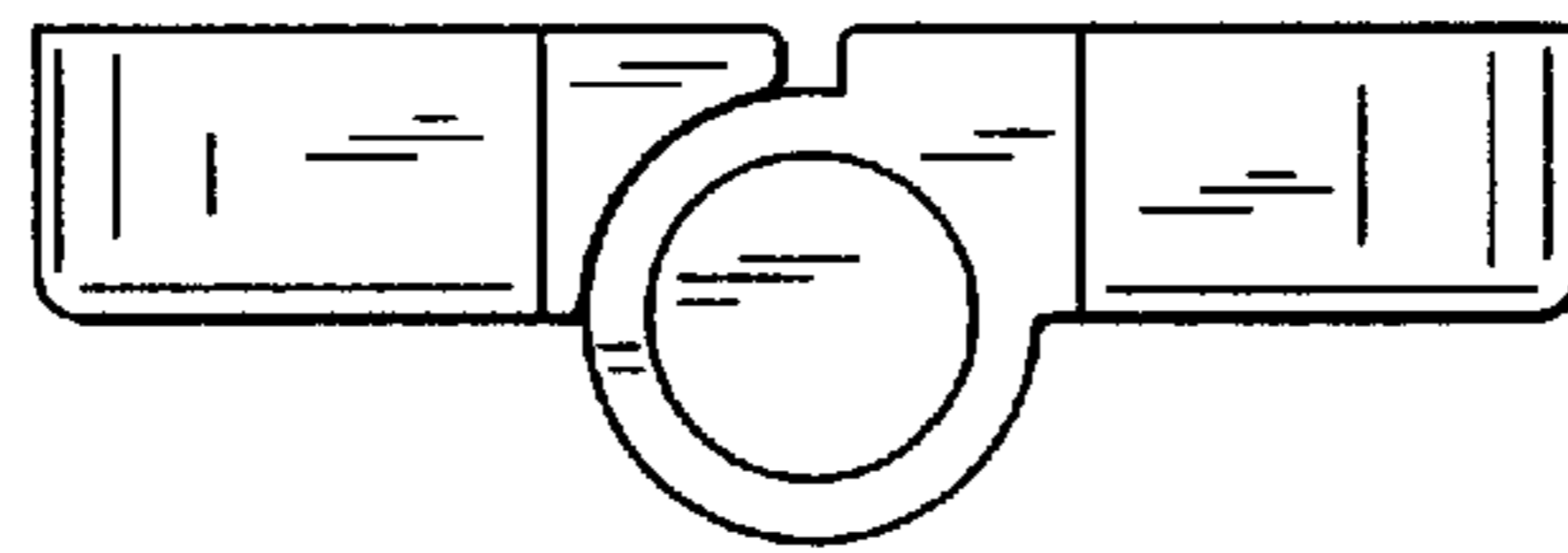


FIG. 3

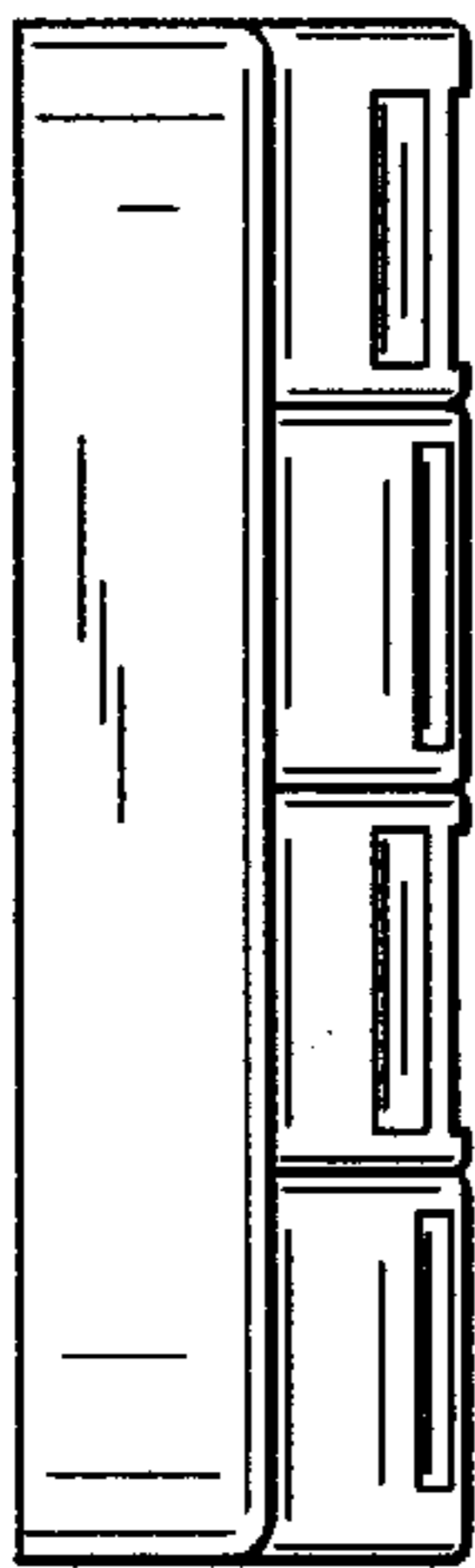


FIG. 5

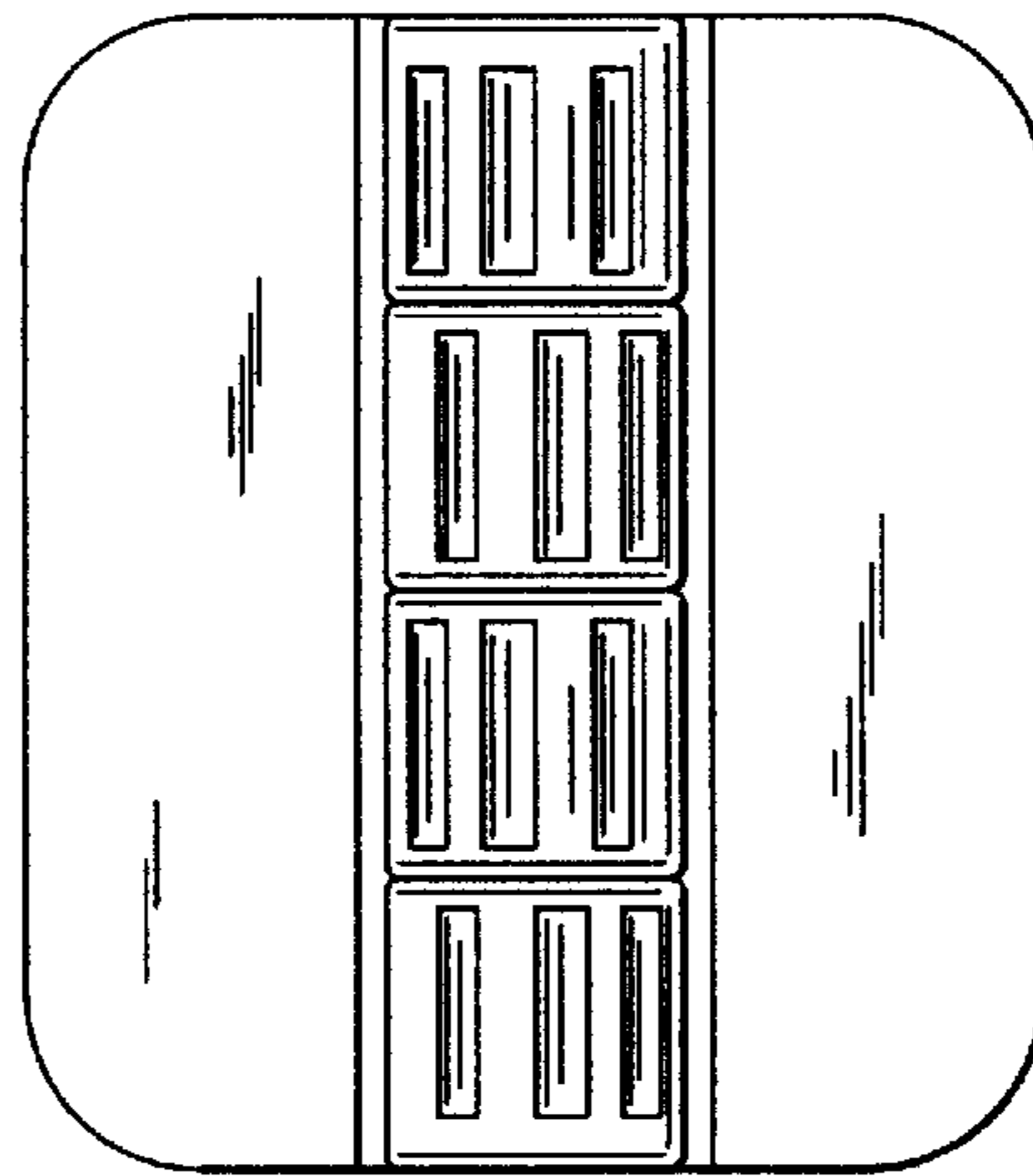


FIG. 2

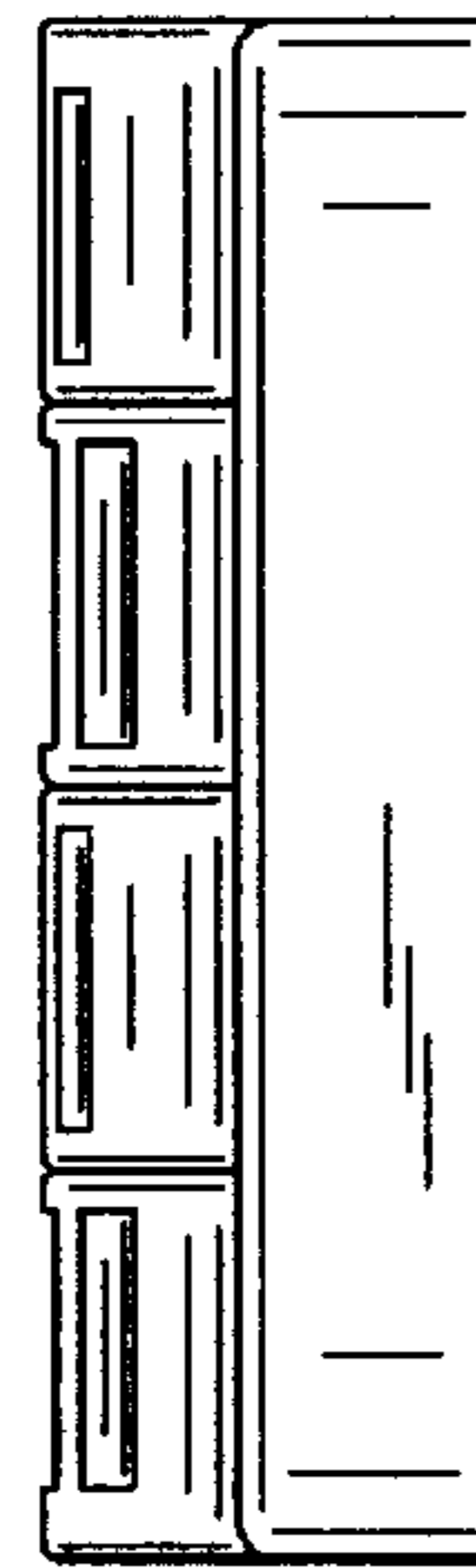


FIG. 4

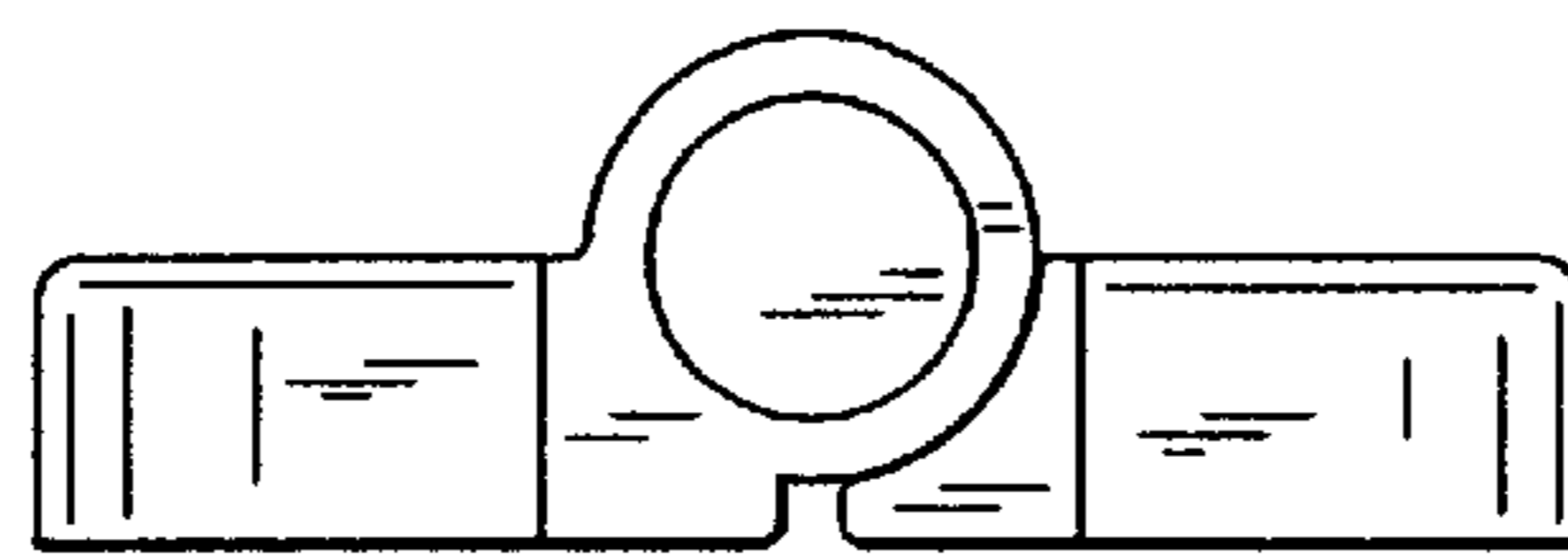


FIG. 6