



US00D541619S

(12) **United States Design Patent**
Ricereto

(10) **Patent No.:** **US D541,619 S**

(45) **Date of Patent:** **** May 1, 2007**

- (54) **KNOB**
- (75) Inventor: **Michael Hart Ricereto**, Baltimore, MD (US)
- (73) Assignee: **Newell Operating Company**, Atlanta, GA (US)
- (**) Term: **14 Years**
- (21) Appl. No.: **29/258,358**
- (22) Filed: **Apr. 20, 2006**
- (51) **LOC (8) Cl.** **08-06**
- (52) **U.S. Cl.** **D8/307**
- (58) **Field of Classification Search** D8/300,
D8/307-312; D23/250-252; 16/110.1, 412,
16/414, 417, 441; 292/347; 72/58
See application file for complete search history.

- D295,827 S 5/1988 Benjamin
- D296,073 S 6/1988 Rhoades
- D297,211 S 8/1988 Rhoades
- D300,505 S 4/1989 Palm, Jr. et al.
- D305,862 S 2/1990 Clayton
- D305,863 S 2/1990 Gresens et al.
- D312,381 S 11/1990 Clayton
- D326,219 S 5/1992 Clayton
- D326,990 S 6/1992 Bishop
- D326,991 S 6/1992 Bishop
- D326,992 S 6/1992 Clayton
- D326,993 S 6/1992 Clayton
- D326,994 S 6/1992 Bishop
- D326,997 S 6/1992 Clayton
- D327,407 S 6/1992 Clayton
- D327,420 S 6/1992 Bishop
- D327,530 S * 6/1992 Rawald D23/250
- D333,697 S * 3/1993 Thomas D23/250
- 5,255,413 A * 10/1993 Sabo 16/417

(Continued)

(56) **References Cited**

U.S. PATENT DOCUMENTS

- 2,688,297 A * 9/1954 Livermont et al. 72/58
- 2,796,627 A * 6/1957 Heyer 16/417
- 3,096,115 A * 7/1963 Patriquin et al. 292/347
- D217,431 S * 5/1970 Russell D8/307
- D224,225 S * 7/1972 Domain D23/250
- 4,193,166 A * 3/1980 Neff 16/441
- D267,774 S 2/1983 Pittenger
- D267,926 S 2/1983 Pittenger
- D268,246 S 3/1983 Tegner
- D270,993 S 10/1983 Tegner
- D270,994 S 10/1983 Tegner
- D271,464 S 11/1983 Carlson
- D272,800 S 2/1984 Pawlow
- D274,035 S 5/1984 Pawlow
- D274,123 S 6/1984 Tegner
- D284,737 S 7/1986 Clayton
- D290,493 S * 6/1987 Dragos D23/250

Primary Examiner—Paula A. Greene

(74) *Attorney, Agent, or Firm*—Banner & Witcoff, Ltd.

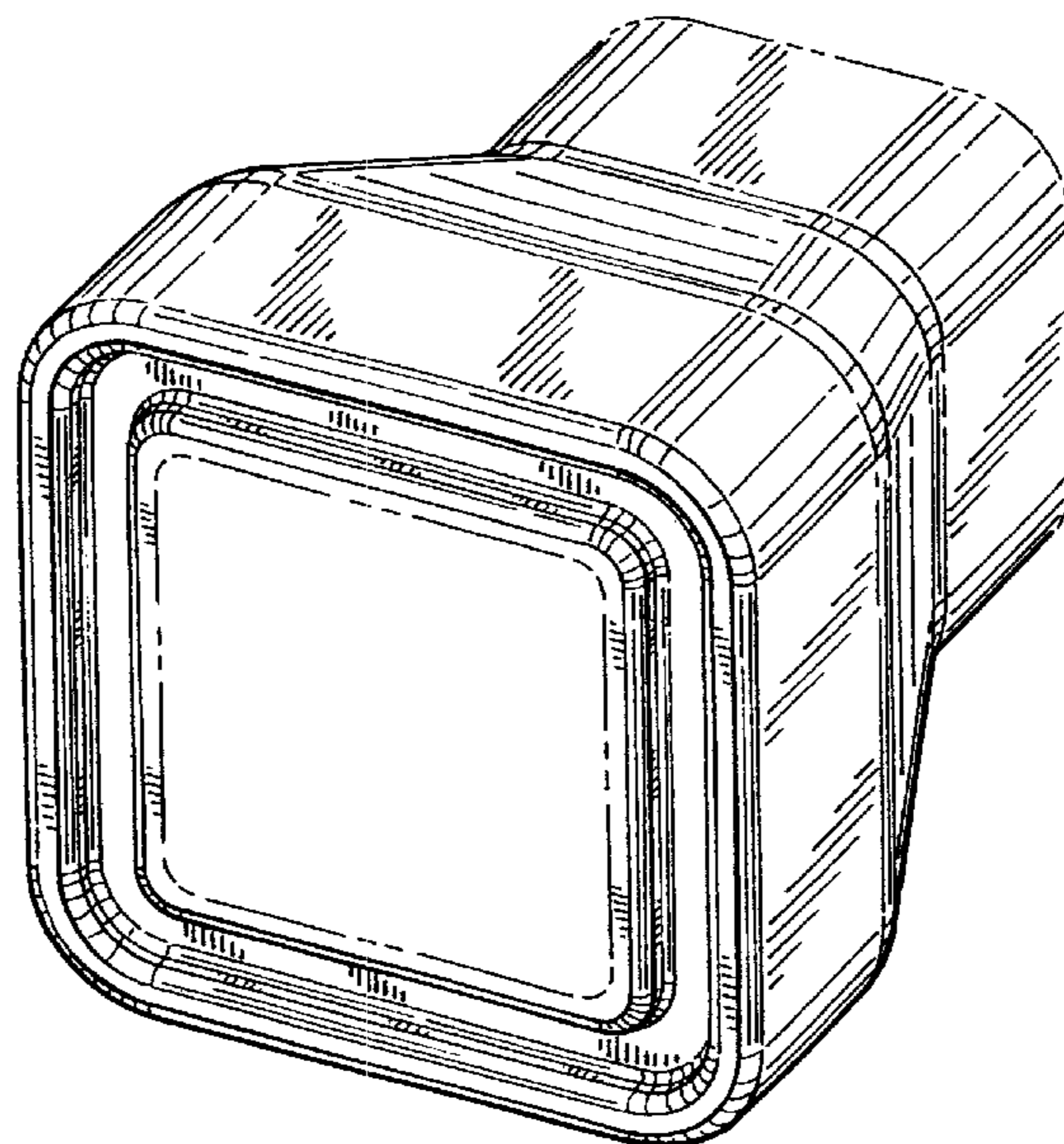
(57) **CLAIM**

We claim the ornamental design for a knob, as shown and described.

DESCRIPTION

FIG. 1 is an elevated perspective view of the knob of the present invention;
 FIG. 2 is a side view of the knob shown in FIG. 1, each side view being identical thereto;
 FIG. 3 is a front view of the knob shown in FIG. 1; and,
 FIG. 4 is a rear view of the knob shown in FIG. 1.
 Features shown in broken lines in the drawings are not part of the claim.

1 Claim, 1 Drawing Sheet



US D541,619 S

Page 2

U.S. PATENT DOCUMENTS					
D355,834 S	2/1995	Chieda	D377,747 S	2/1997	De'Armond
D355,835 S	2/1995	Chieda	D381,252 S	7/1997	Chieda
D355,837 S	2/1995	Chieda	D386,667 S	11/1997	Smith
D355,838 S	2/1995	Chieda	D396,179 S	7/1998	Burns et al.
D355,839 S	2/1995	Chieda	D396,180 S	7/1998	Burns et al.
D356,724 S	3/1995	Chieda	D399,117 S	10/1998	Burns et al.
D357,168 S	4/1995	Chieda	D399,407 S	10/1998	Burns et al.
D361,491 S	8/1995	Chieda	D399,723 S	10/1998	Burns et al.
D361,492 S	8/1995	Chieda	D401,834 S	12/1998	Burns et al.
D361,493 S	8/1995	Chieda	D401,835 S	12/1998	Burns et al.
D361,496 S	8/1995	Chieda	D403,571 S	1/1999	Burns et al.
D361,498 S	8/1995	Chieda	D406,745 S	3/1999	Burns et al.
D361,707 S	8/1995	Chieda	D411,728 S	6/1999	O'Neil
D366,998 S	2/1996	Hollingsworth	D411,793 S	7/1999	O'Neil
D367,217 S	2/1996	Hollingsworth-Ainscough	D411,794 S	7/1999	O'Neil
D367,417 S	2/1996	Ainscough	D411,795 S	7/1999	O'Neil
D368,014 S	3/1996	Ainscough	D413,248 S	8/1999	O'Neil
D368,638 S	4/1996	Sonnenleiter	D414,100 S	9/1999	O'Neil
D368,639 S	4/1996	Chieda	D415,405 S	10/1999	O'Neil
D368,640 S	4/1996	Sonnenleiter	D416,465 S	11/1999	O'Neil
D368,642 S	4/1996	Chieda	D418,387 S	1/2000	O'Neil
D368,643 S	4/1996	Sonnenleiter	D418,388 S	1/2000	O'Neil
D368,644 S	4/1996	Bishop	D418,389 S	1/2000	O'Neil
D368,842 S	4/1996	Sonnenleiter	D429,455 S	8/2000	Burns et al.
D370,613 S	6/1996	Ainscough	D429,991 S	* 8/2000	Short D8/307
D370,614 S	6/1996	Ainscough	D431,442 S	10/2000	Short
D371,062 S	6/1996	Ainscough	D431,444 S	10/2000	Short
D372,414 S	8/1996	De'Armond	D431,445 S	10/2000	Short
D372,657 S	8/1996	De'Armond	D431,996 S	10/2000	Short
D372,659 S	8/1996	De'Armond	D434,633 S	12/2000	Short
D373,065 S	8/1996	De'Armond	D434,962 S	12/2000	Short
D373,066 S	8/1996	De'Armond	D434,963 S	12/2000	Short
D373,067 S	8/1996	De'Armond	D435,424 S	12/2000	Short
D374,390 S	10/1996	De'Armond	D435,426 S	12/2000	Short
D377,655 S	1/1997	Smith	D437,202 S	2/2001	O'Neil

* cited by examiner

FIG. 1

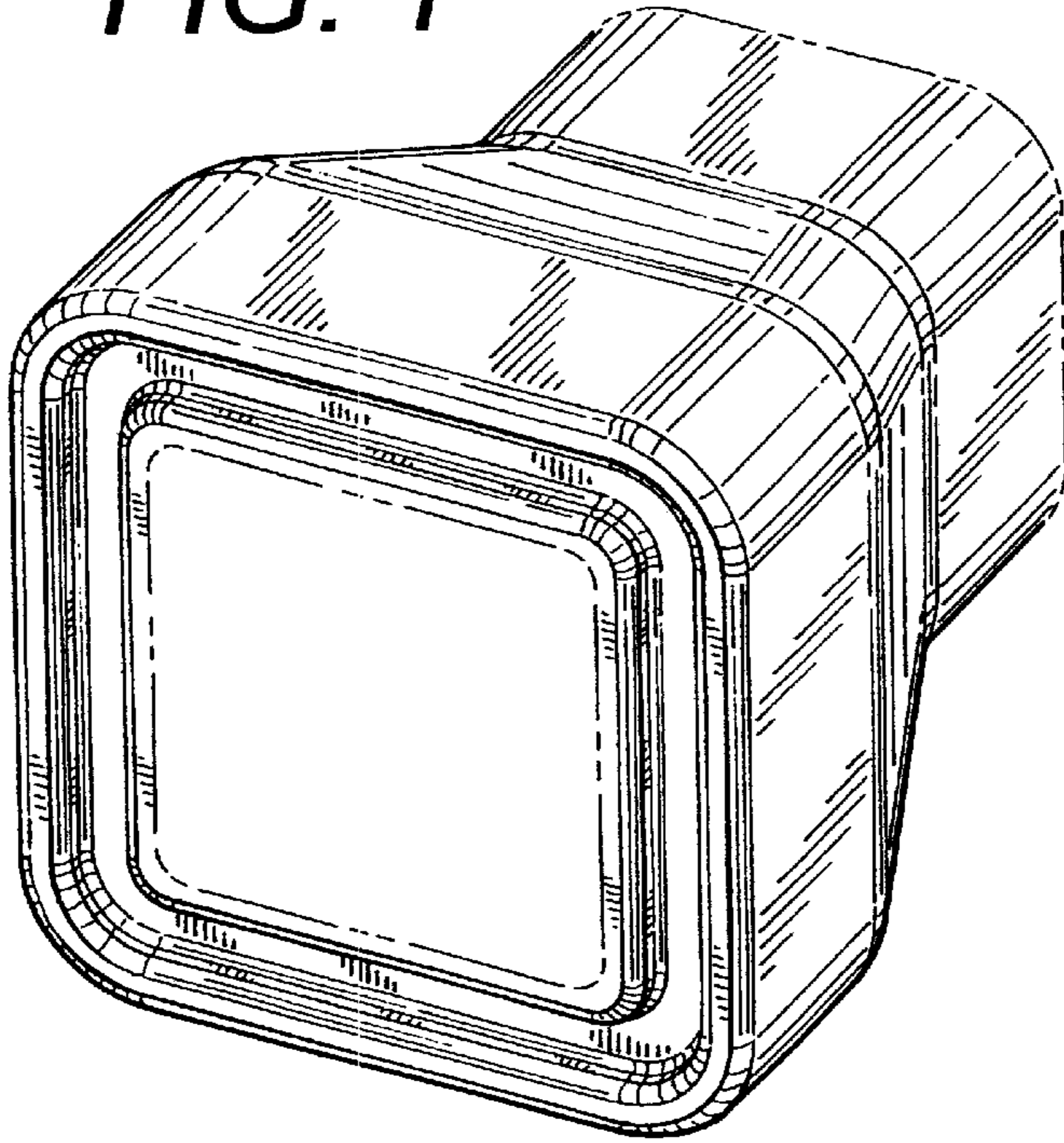


FIG. 2

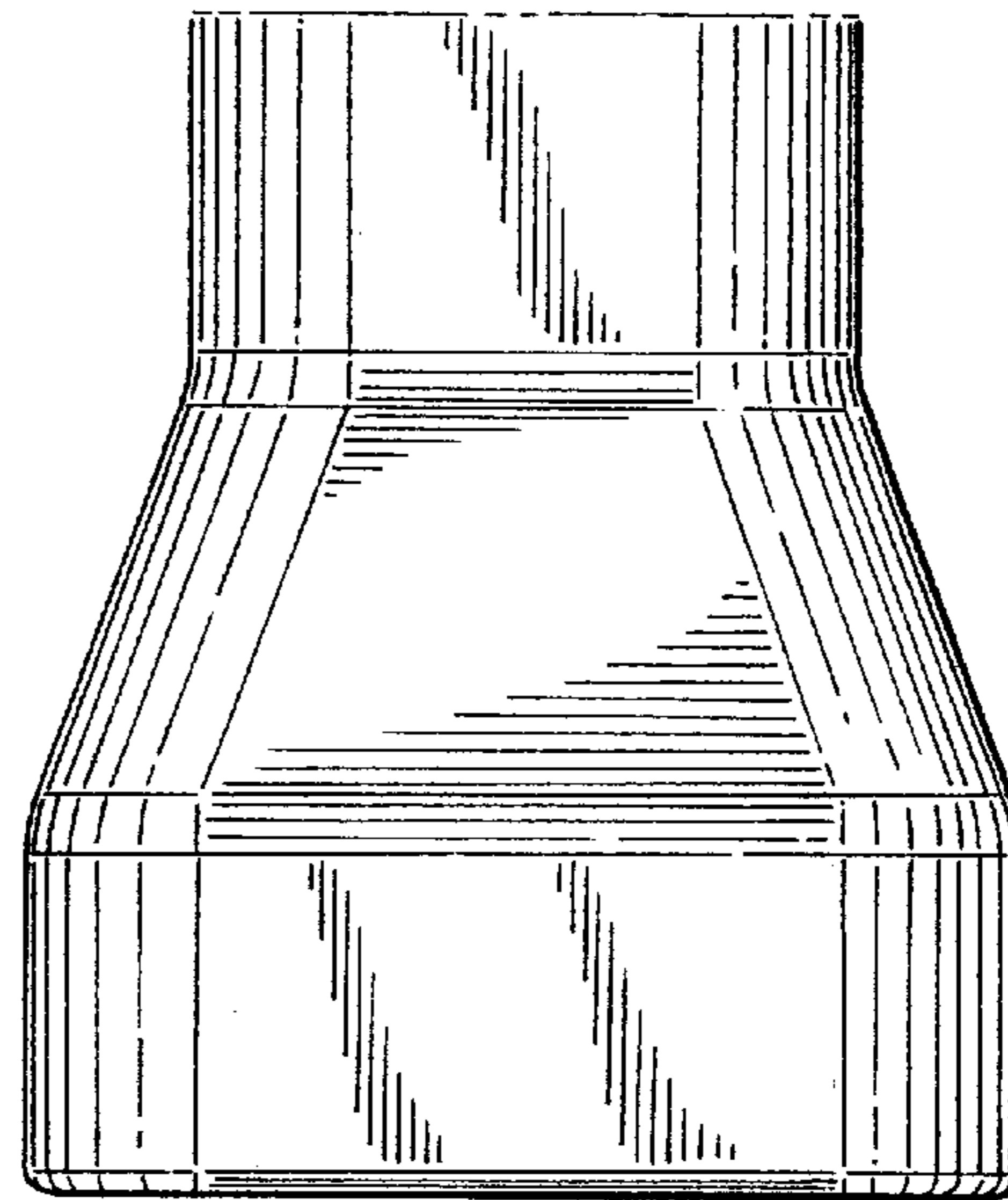


FIG. 3

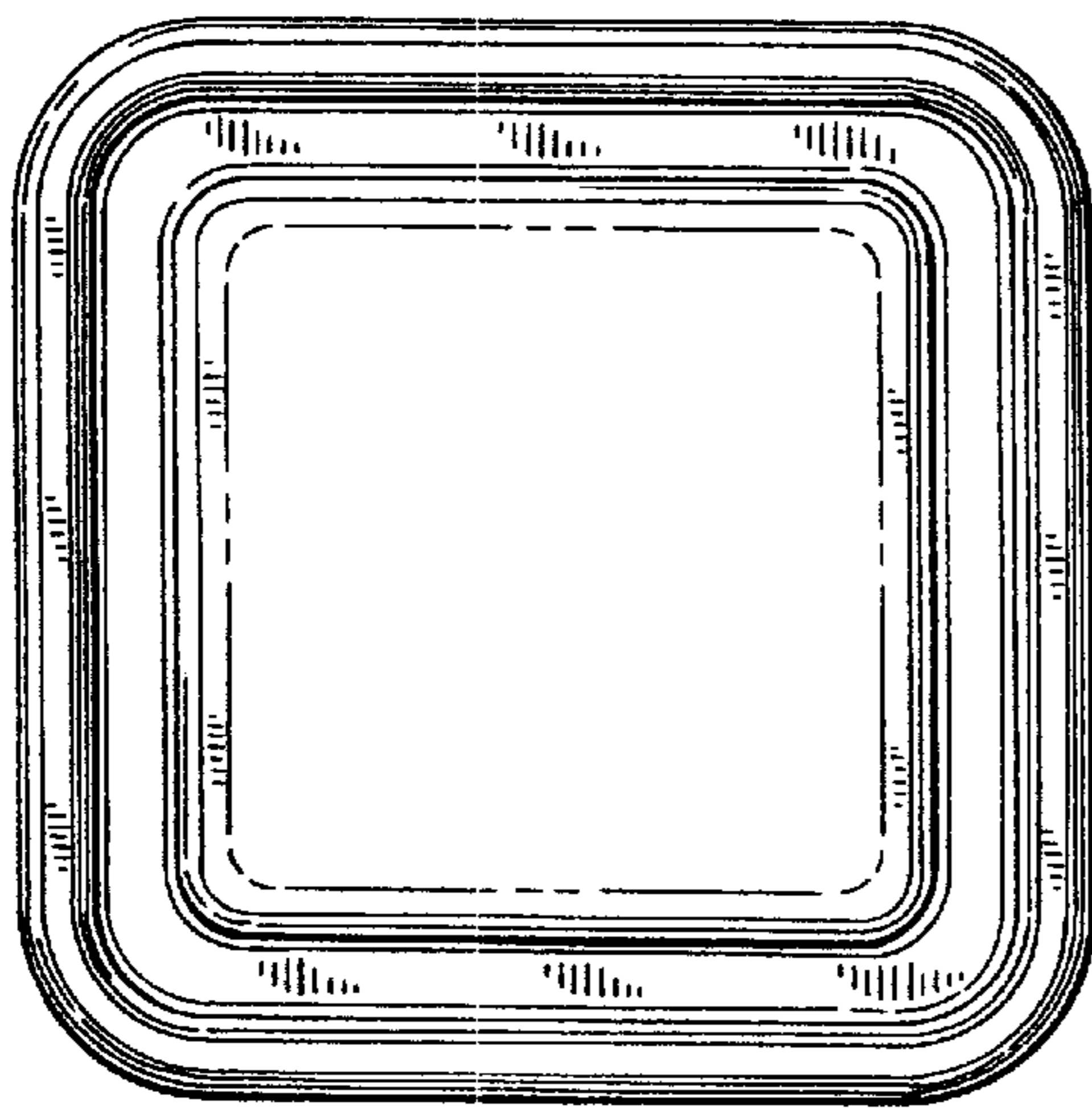


FIG. 4

