

US00D541617S

(12) **United States Design Patent** (10) **Patent No.:** **US D541,617 S**
Perez et al. (45) **Date of Patent:** **** May 1, 2007**

(54) **HANDLE FOR TAPING KNIFE WITH ENLARGED HAMMER END**

(75) Inventors: **Ricardo Perez**, Hartford, CT (US);
Jason Lind, Barkamsted, CT (US);
Matthew Earle Myers, Naperville, IL (US)

(73) Assignee: **United States Gypsum Company**, Chicago, IL (US)

(**) Term: **14 Years**

(21) Appl. No.: **29/234,783**

(22) Filed: **Jul. 22, 2005**

(51) **LOC (8) Cl.** **08-05**

(52) **U.S. Cl.** **D8/107**

(58) **Field of Classification Search** D8/45,
D8/14, 107, 21, 27, 47, 82-87, 99-101, DIG. 7;
D7/393, 395, 688, 693; 15/235.3, 236.01;
16/DIG. 12, DIG. 18, DIG. 19, 110.1, 421,
16/422, 430, 431, 435; 81/177.1, 436-439,
81/489-492, 60-62, 63.1; 192/43.2

See application file for complete search history.

(56) **References Cited**

U.S. PATENT DOCUMENTS

D157,904 S	3/1950	Reusch	
D206,517 S	12/1966	Han	
3,971,094 A *	7/1976	Solf et al.	15/143.1
D282,716 S	2/1986	Heinis et al.	
4,719,660 A *	1/1988	Hopkins	15/105
D319,379 S	8/1991	Cummings et al.	
5,390,572 A	2/1995	Gakhar et al.	
5,615,445 A *	4/1997	Kelsay et al.	15/245.1
5,850,663 A	12/1998	Hardy et al.	
5,920,943 A *	7/1999	Barker	15/143.1

5,956,799 A	9/1999	Panaccione et al.	
6,131,290 A	10/2000	Chiou	
D441,269 S	5/2001	Tsai	
D446,104 S	8/2001	Chen	
D462,251 S	9/2002	Collins et al.	
RE38,093 E	4/2003	Chiou	
6,588,113 B2 *	7/2003	Bozikis et al.	30/526
D483,244 S *	12/2003	Chen	D8/107
D483,638 S	12/2003	Jimenez	
6,668,751 B1	12/2003	Henke	
6,742,215 B2	6/2004	Panfili et al.	
D498,124 S	11/2004	Mitchell	
D500,600 S	1/2005	Hay et al.	
2003/0084545 A1	5/2003	Cheng	

* cited by examiner

Primary Examiner—Alan P. Douglas

Assistant Examiner—Barbara Fox

(74) *Attorney, Agent, or Firm*—Greer, Burns & Crain, Ltd.;
Michael M. Geoffrey; David F. Janci

(57) **CLAIM**

The ornamental design for a handle for taping knife with enlarged hammer end, as shown and described.

DESCRIPTION

FIG. 1 is a front view of the present handle, the rear view being identical;

FIG. 2 is a left side view of the handle of FIG. 1, the right side being identical;

FIG. 3 is a top view of the handle of FIG. 1;

FIG. 4 is a bottom view of the handle of FIG. 1; and,

FIG. 5 is top perspective view of the handle of FIG. 1.

The subject matter depicted in broken lines is not intended to be part of the claimed invention and is shown only for environment purposes.

1 Claim, 4 Drawing Sheets

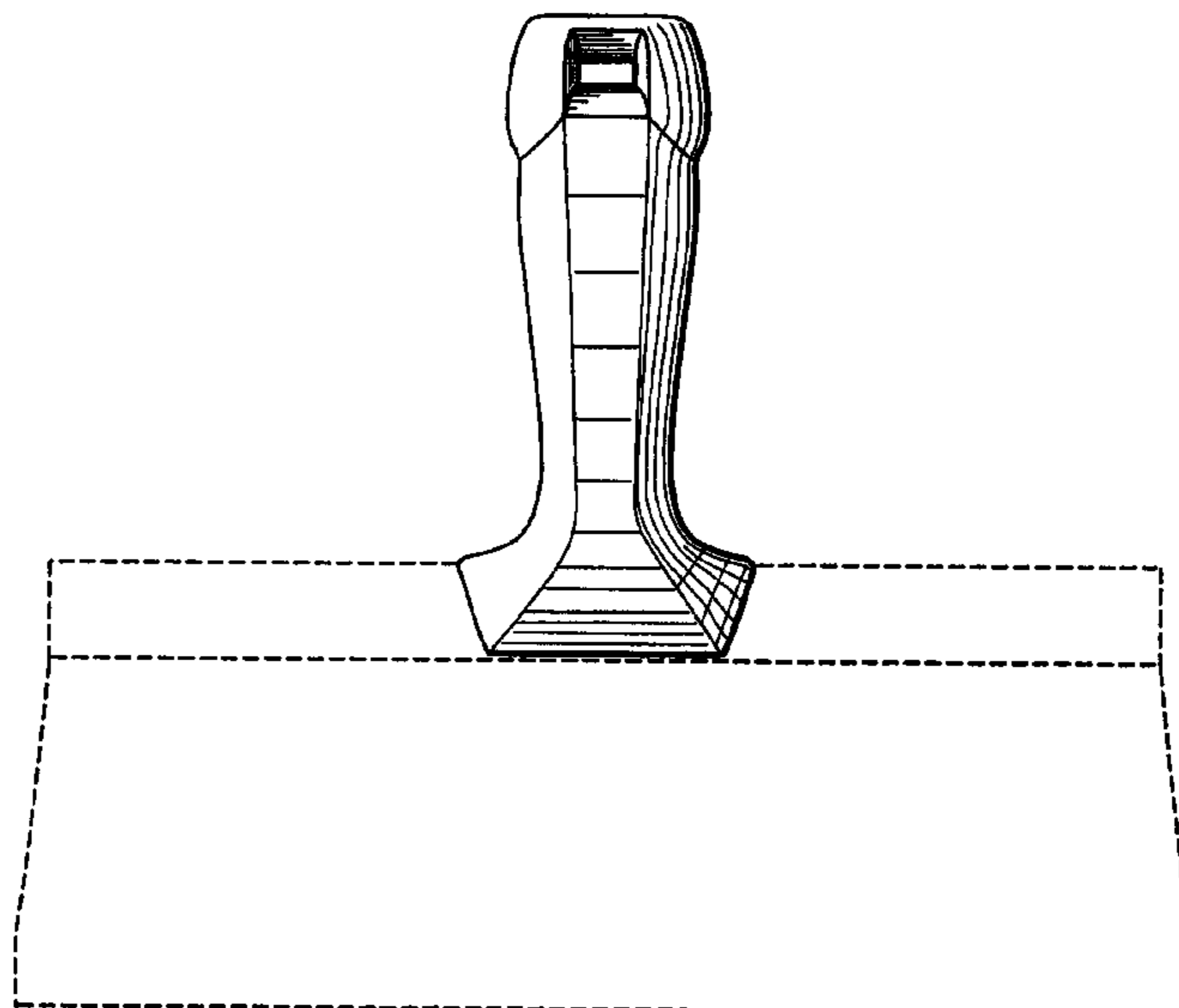


FIG. 1

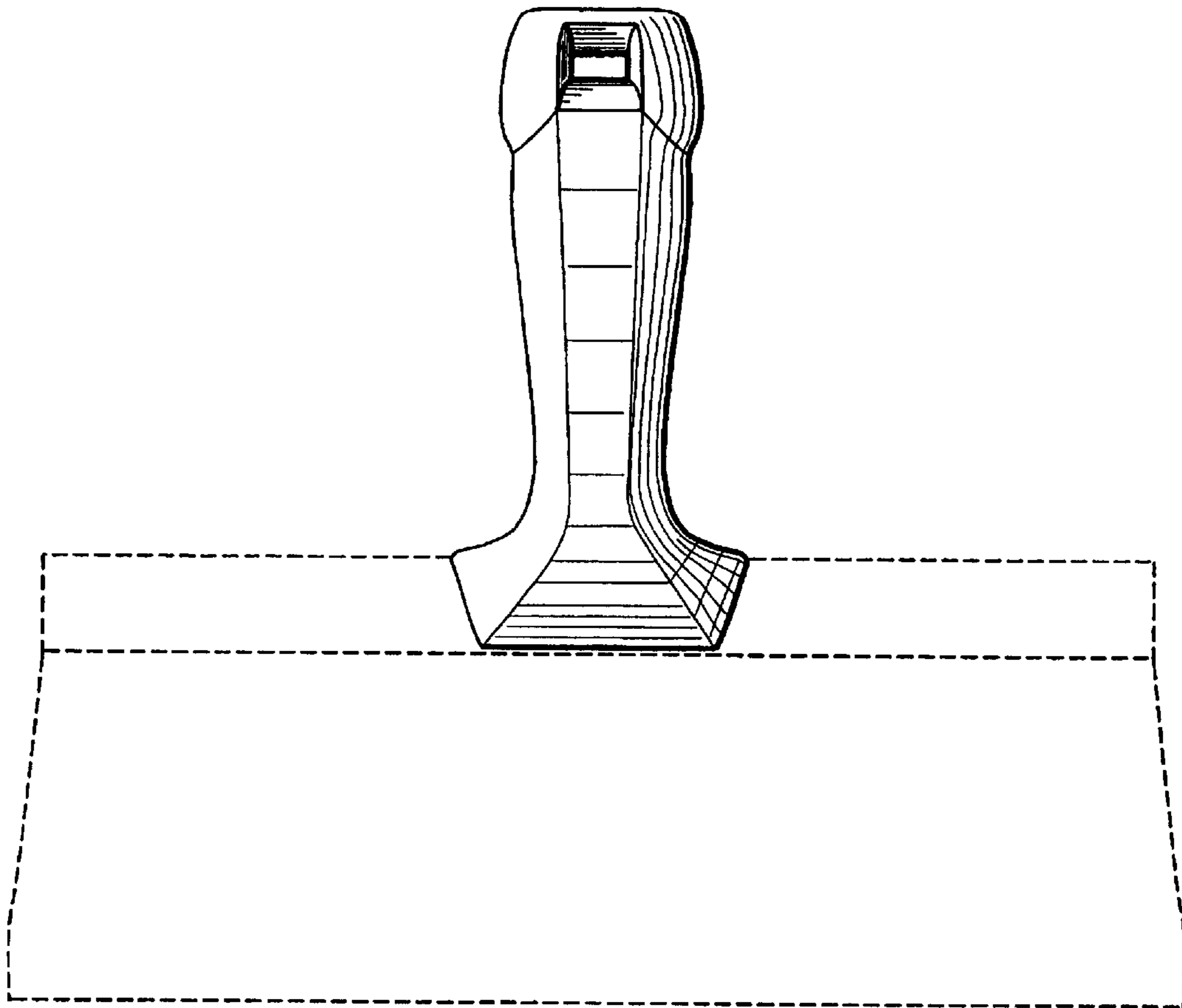
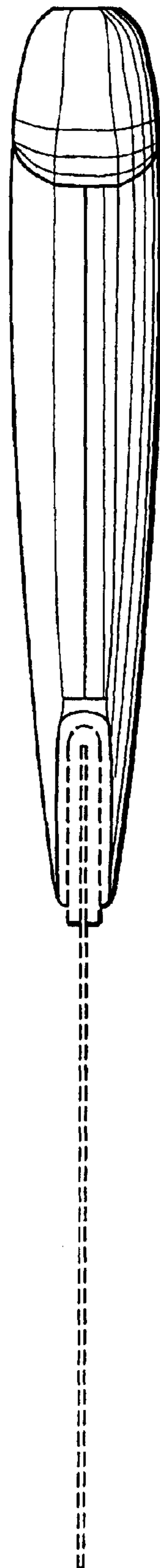


FIG. 2



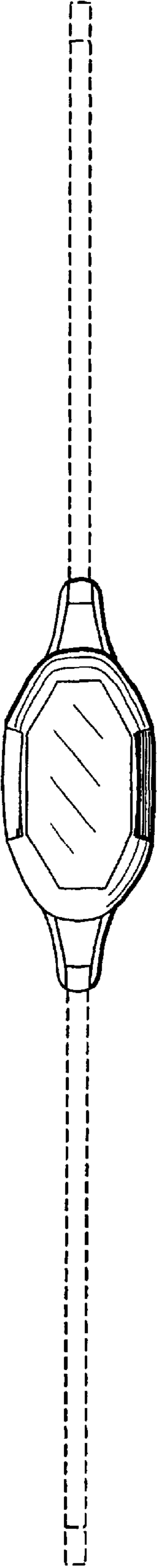


FIG. 3

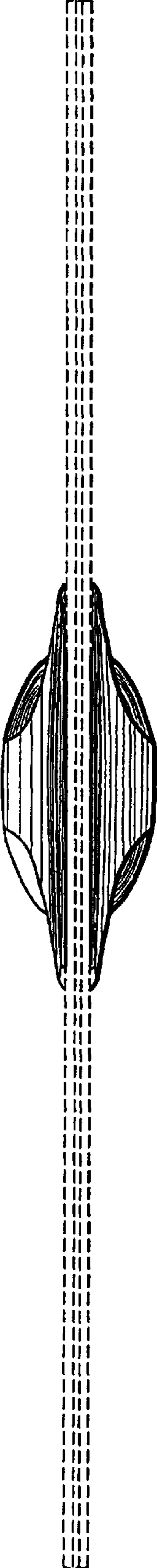


FIG. 4

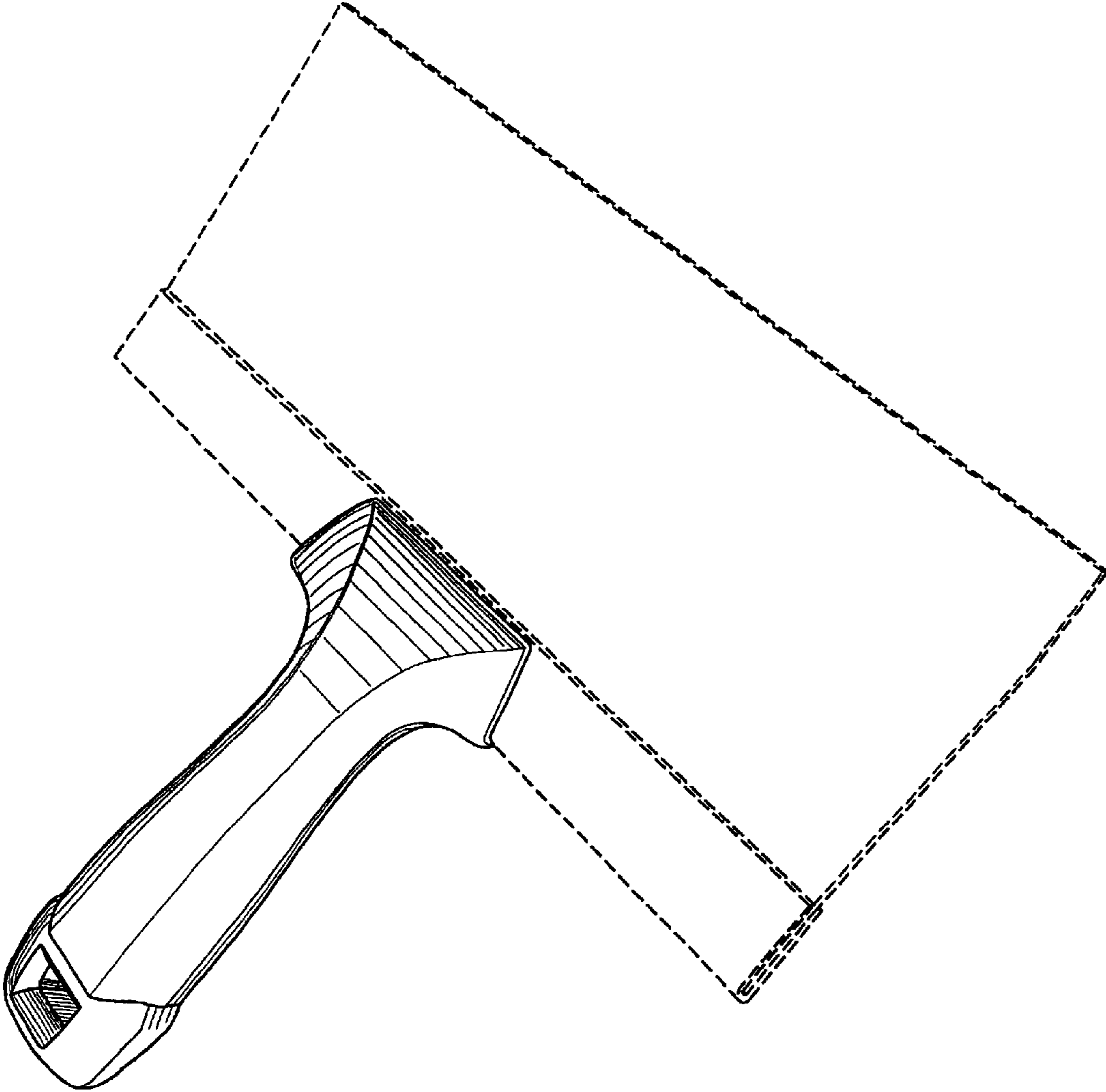


FIG. 5