

US00D541615S

(12) **United States Design Patent**
Wu

(10) **Patent No.:** **US D541,615 S**

(45) **Date of Patent:** **** May 1, 2007**

- (54) **KNIFE SHARPENER HOLDER**
- (75) Inventor: **Shih-Piao Wu**, Changhua Hsien (TW)
- (73) Assignee: **Jiin Haur Industrial Co., Ltd.**, Lu Kang (TW)
- (**) Term: **14 Years**
- (21) Appl. No.: **29/238,745**
- (22) Filed: **Sep. 20, 2005**
- (51) **LOC (8) Cl.** **08-05**
- (52) **U.S. Cl.** **D8/93; D8/90**
- (58) **Field of Classification Search** D8/90,
D8/91, 92, 93, 94; 76/82, 86, 88; 254/552,
254/553, 555, 558
See application file for complete search history.

- 5,492,037 A * 2/1996 Graham 76/82
- D390,084 S * 2/1998 McCabe, Jr. D8/62
- D469,326 S * 1/2003 Dahms D8/93
- D513,955 S * 1/2006 Friel, Sr. D8/93

* cited by examiner

Primary Examiner—Philip S. Hyder

(74) *Attorney, Agent, or Firm*—Alan D. Kamrath; Nikolai & Mersereau, P.A.

(57) **CLAIM**

The ornamental design for a knife sharpener holder, as shown and described.

DESCRIPTION

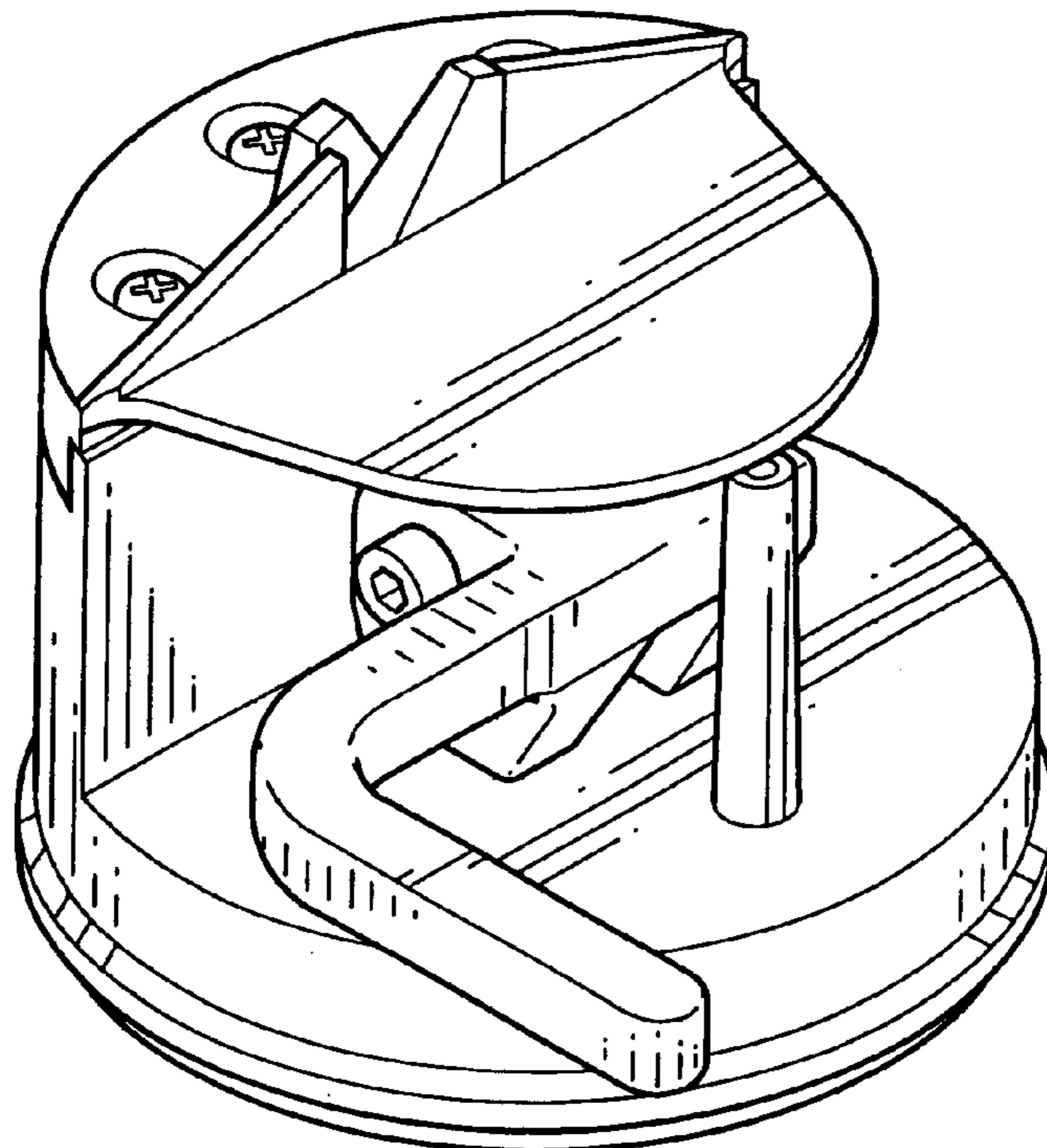
FIG. 1 is a perspective view of a knife sharpener holder showing my design;
 FIG. 2 is a front elevational view thereof;
 FIG. 3 is a rear elevational view thereof;
 FIG. 4 is a left side elevational view thereof;
 FIG. 5 is a right side elevational view thereof;
 FIG. 6 is a top plan view thereof; and,
 FIG. 7 is a bottom plan view thereof.

1 Claim, 4 Drawing Sheets

(56) **References Cited**

U.S. PATENT DOCUMENTS

- D299,614 S * 1/1989 Young D8/93
- D304,288 S * 10/1989 Young D8/93
- D317,554 S * 6/1991 Young D8/93



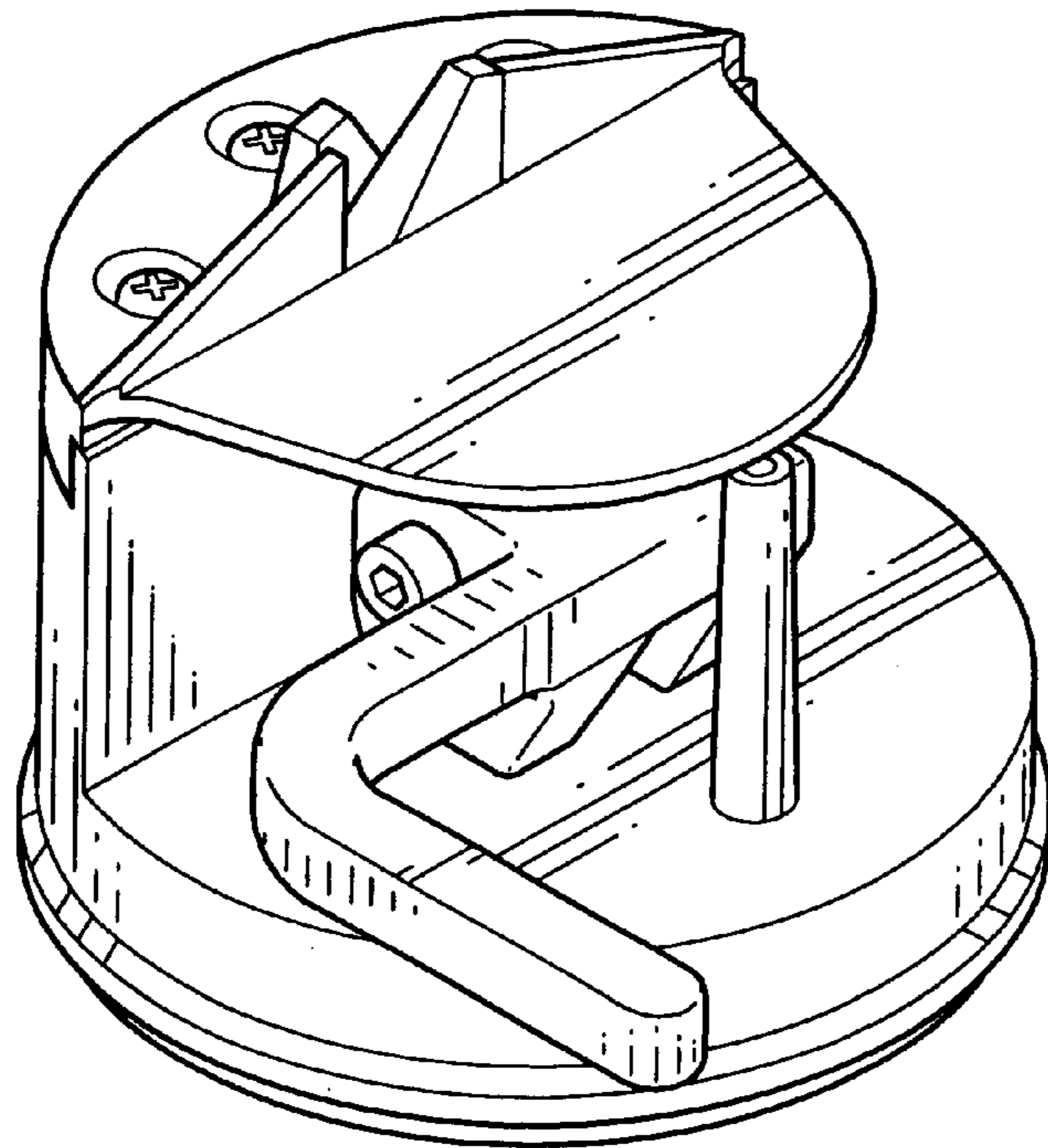


FIG. 1

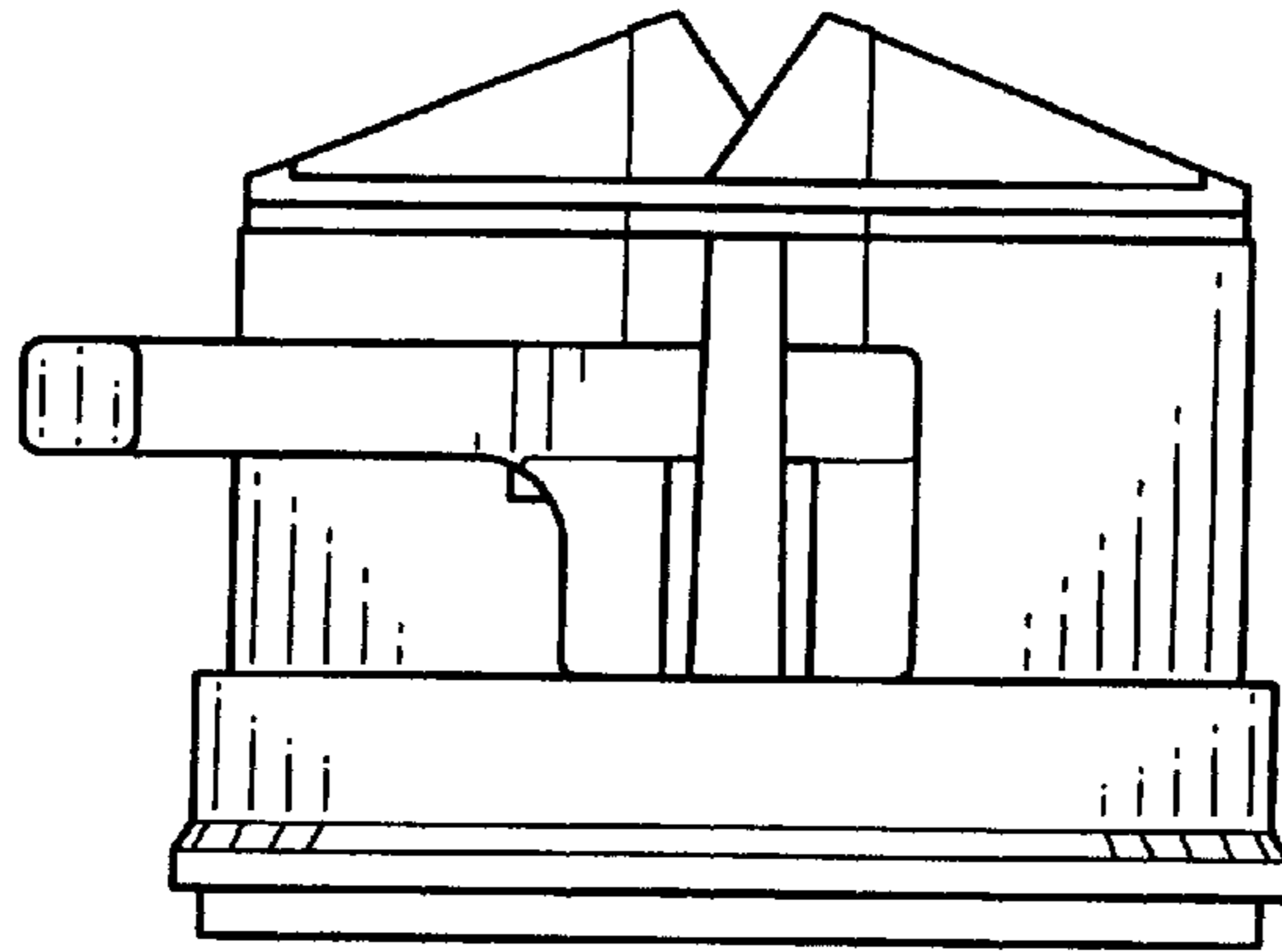


FIG. 2

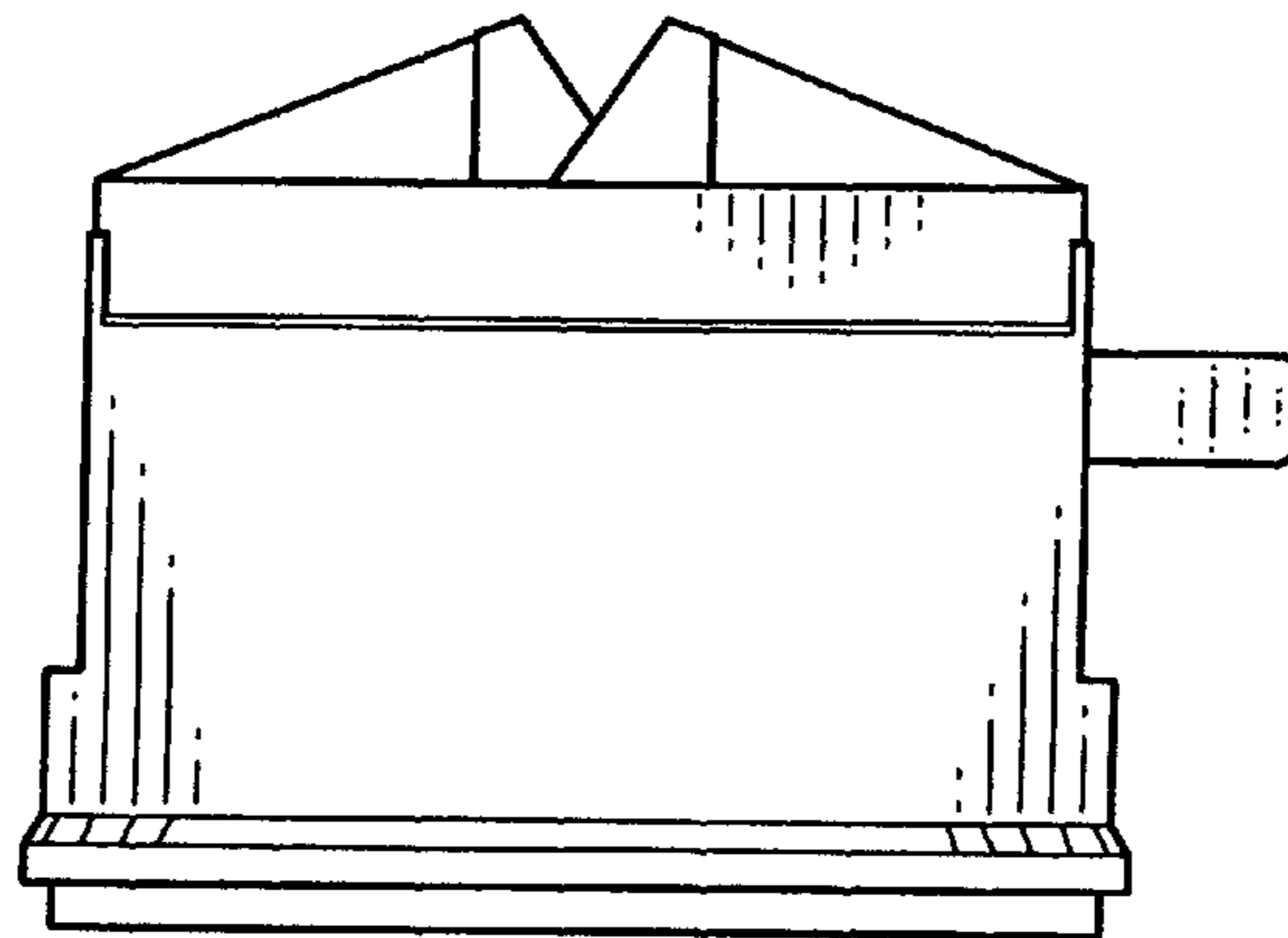


FIG. 3

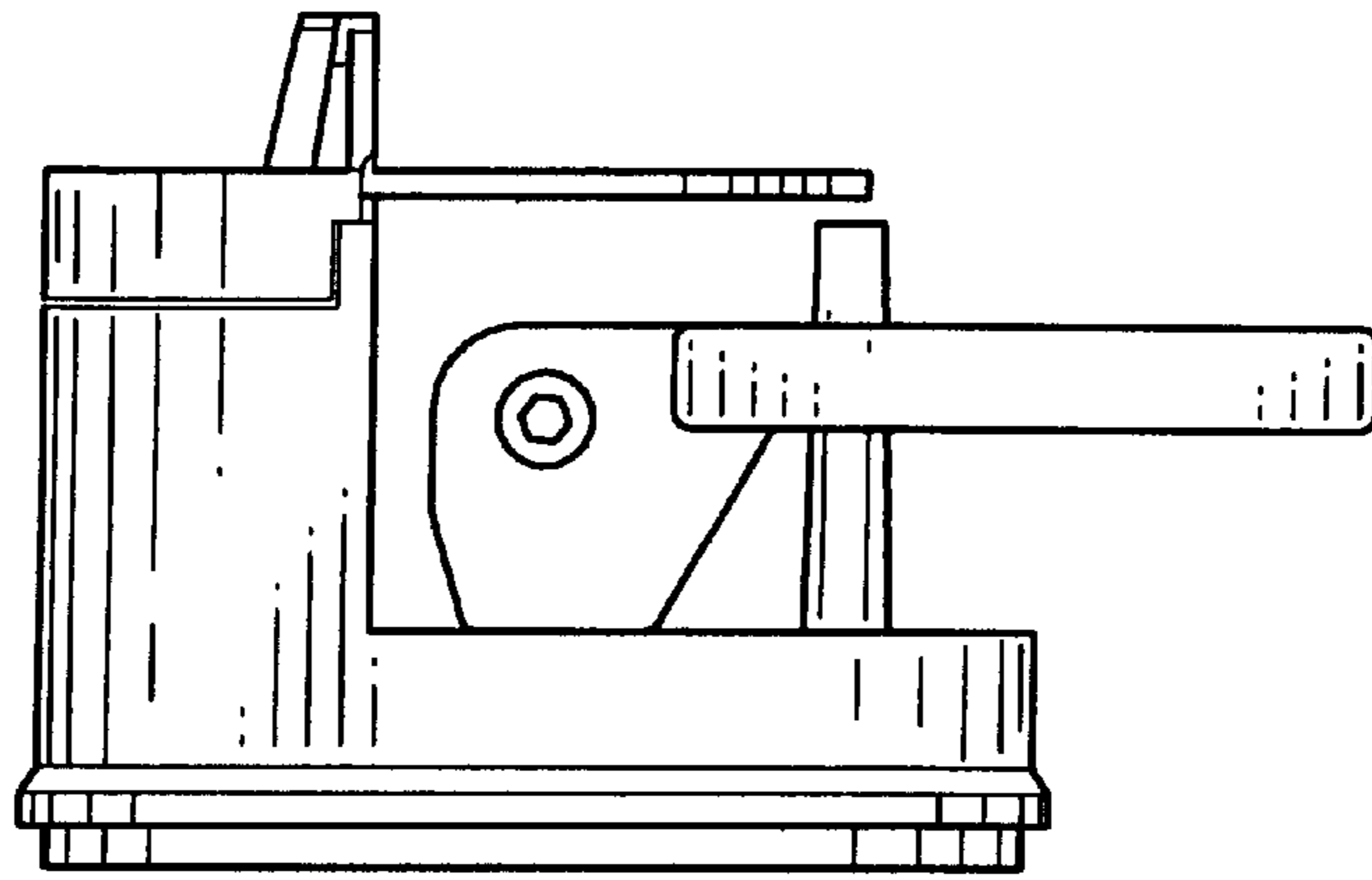


FIG. 4

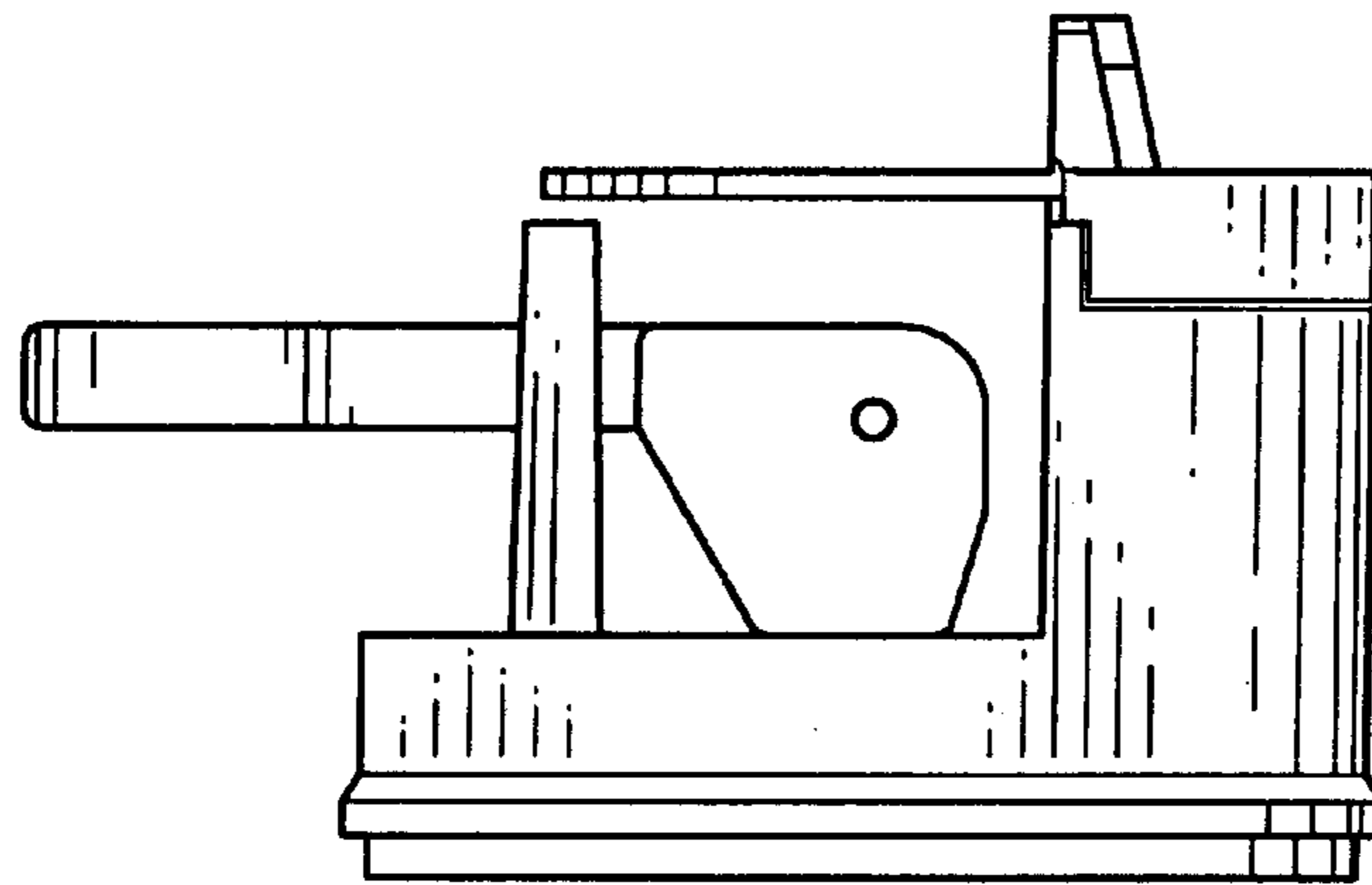


FIG. 5

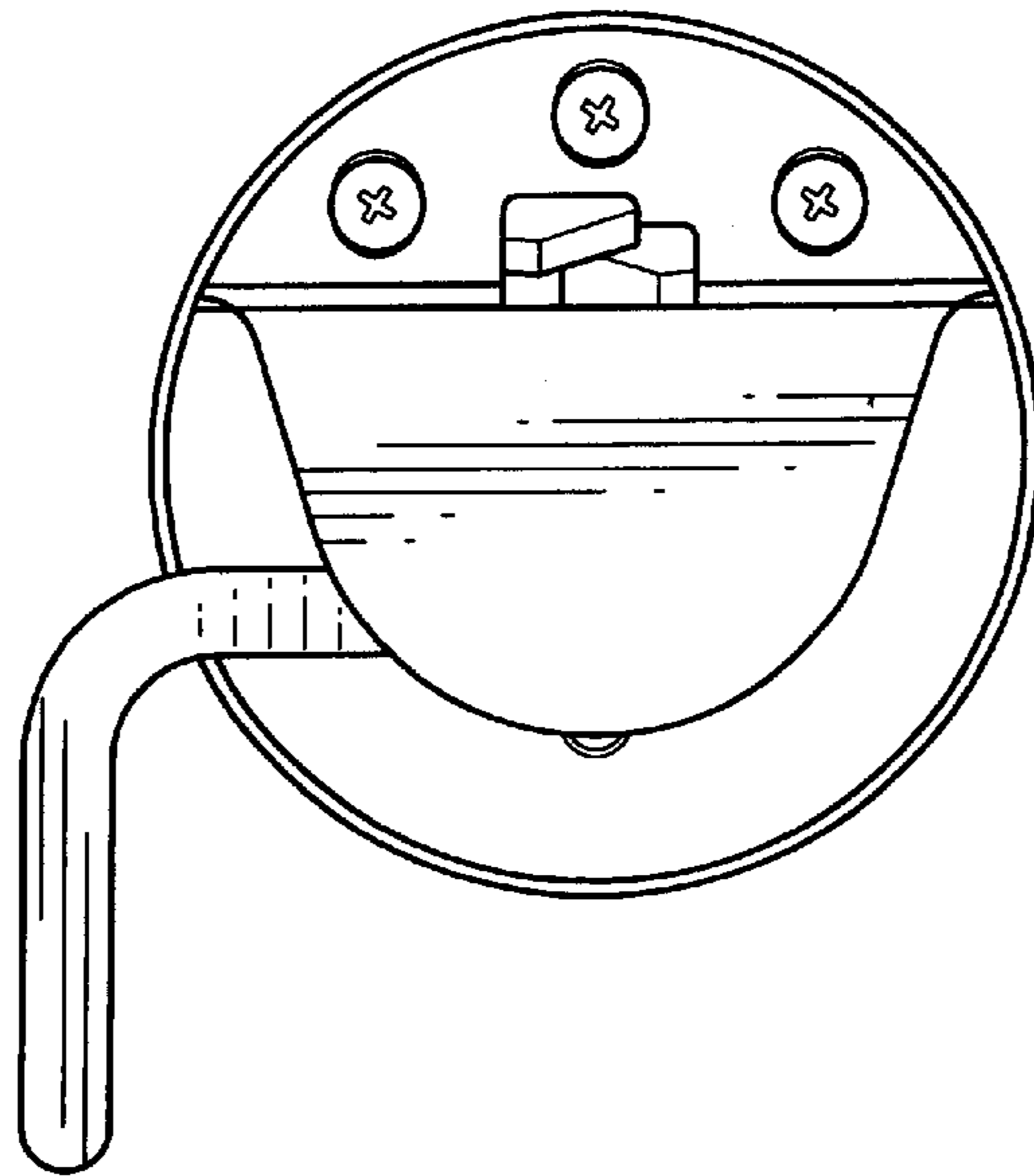


FIG. 6

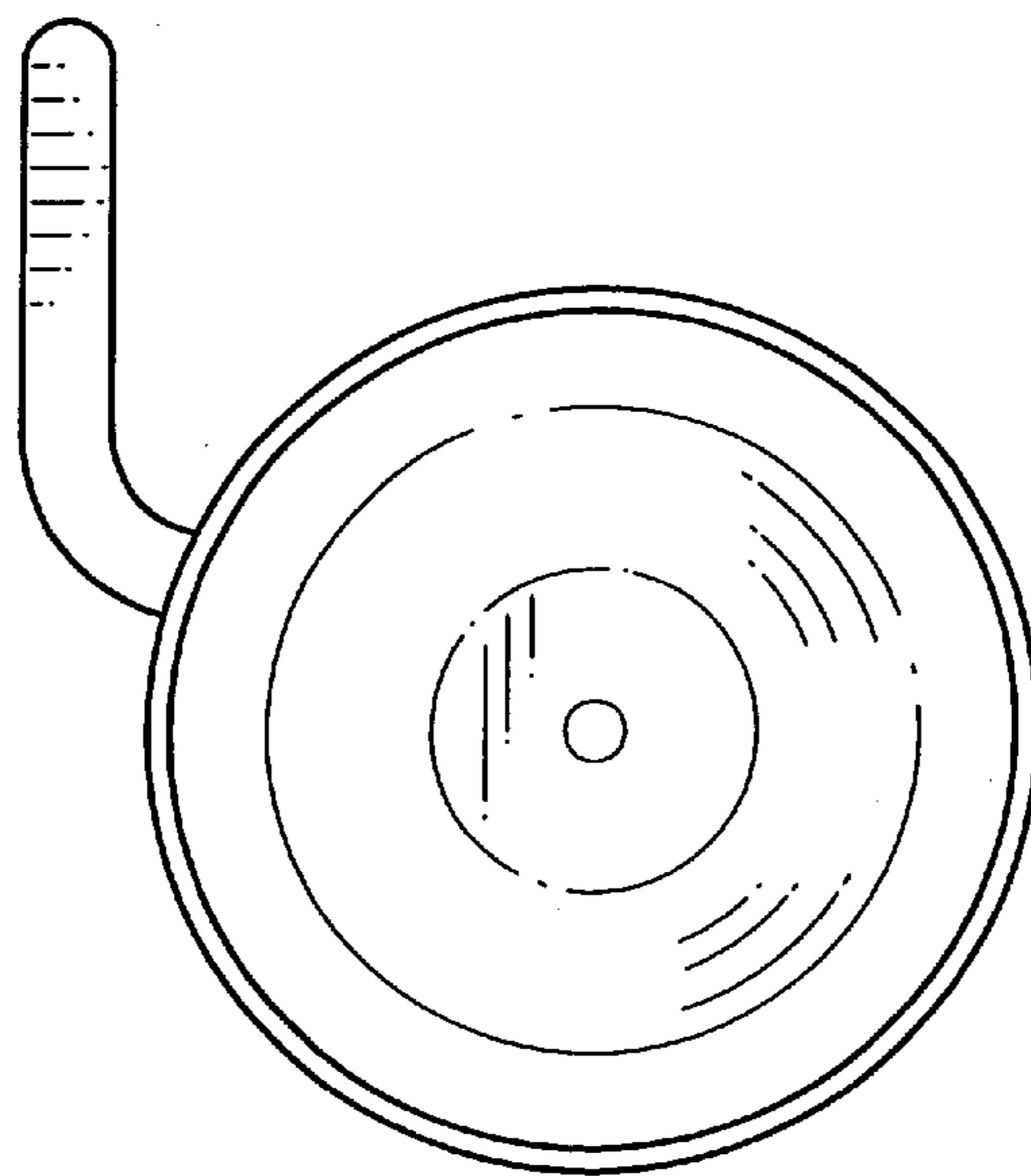


FIG. 7