

US00D541614S

(12) **United States Design Patent**
Wang

(10) **Patent No.:** **US D541,614 S**

(45) **Date of Patent:** **** May 1, 2007**

(54) **CLAMP**

(76) **Inventor:** **Guei-Ying Wang**, No. 148, Chaofu Rd.,
Situn Distric, Taichung City (TW), 407

(**) **Term:** **14 Years**

(21) **Appl. No.:** **29/252,650**

(22) **Filed:** **Jan. 25, 2006**

(51) **LOC (8) Cl.** **08-05**

(52) **U.S. Cl.** **D8/74**

(58) **Field of Classification Search** D8/74,
D8/73, 72, 394, 71; 269/3, 6, 143, 147-149,
269/95; 81/355, 356, 353, 487; 29/257, 276
See application file for complete search history.

(56) **References Cited**

U.S. PATENT DOCUMENTS

D320,919 S	*	10/1991	Sorensen	D8/72
D328,846 S	*	8/1992	Sorensen et al.	D8/72
D333,602 S	*	3/1993	Gatzemeyer et al.	D8/72
5,222,420 A	*	6/1993	Sorensen et al.	81/487
D366,820 S	*	2/1996	Wooster et al.	D8/72
6,585,243 B1	*	7/2003	Li	269/6
6,648,315 B1	*	11/2003	Lee	269/6

D488,043 S	*	4/2004	Ben-Gigi	D8/72
D494,828 S	*	8/2004	Phillips	D8/72
D516,892 S	*	3/2006	Ping	D8/72
7,017,894 B1	*	3/2006	Lin	269/6
2005/0236753 A1	*	10/2005	Ben-Gigi	269/6
2006/0131802 A1	*	6/2006	Fuller et al.	269/6

* cited by examiner

Primary Examiner—Louis Zarfaz

Assistant Examiner—David Muller

(74) *Attorney, Agent, or Firm*—Banger Shia

(57) **CLAIM**

The ornamental design for a clamp, as shown and described.

DESCRIPTION

FIG. 1 is a perspective view of a clamp, showing my new design;

FIG. 2 is a front elevational view thereof;

FIG. 3 is a rear elevational view thereof;

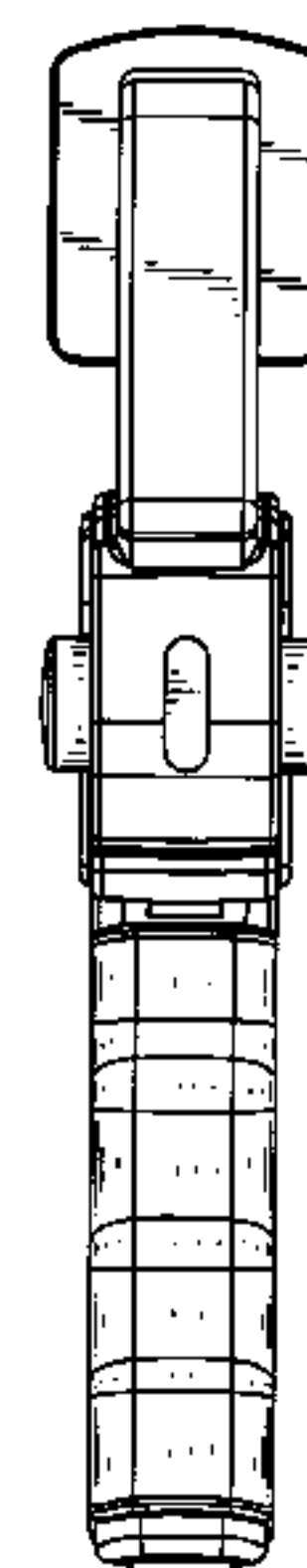
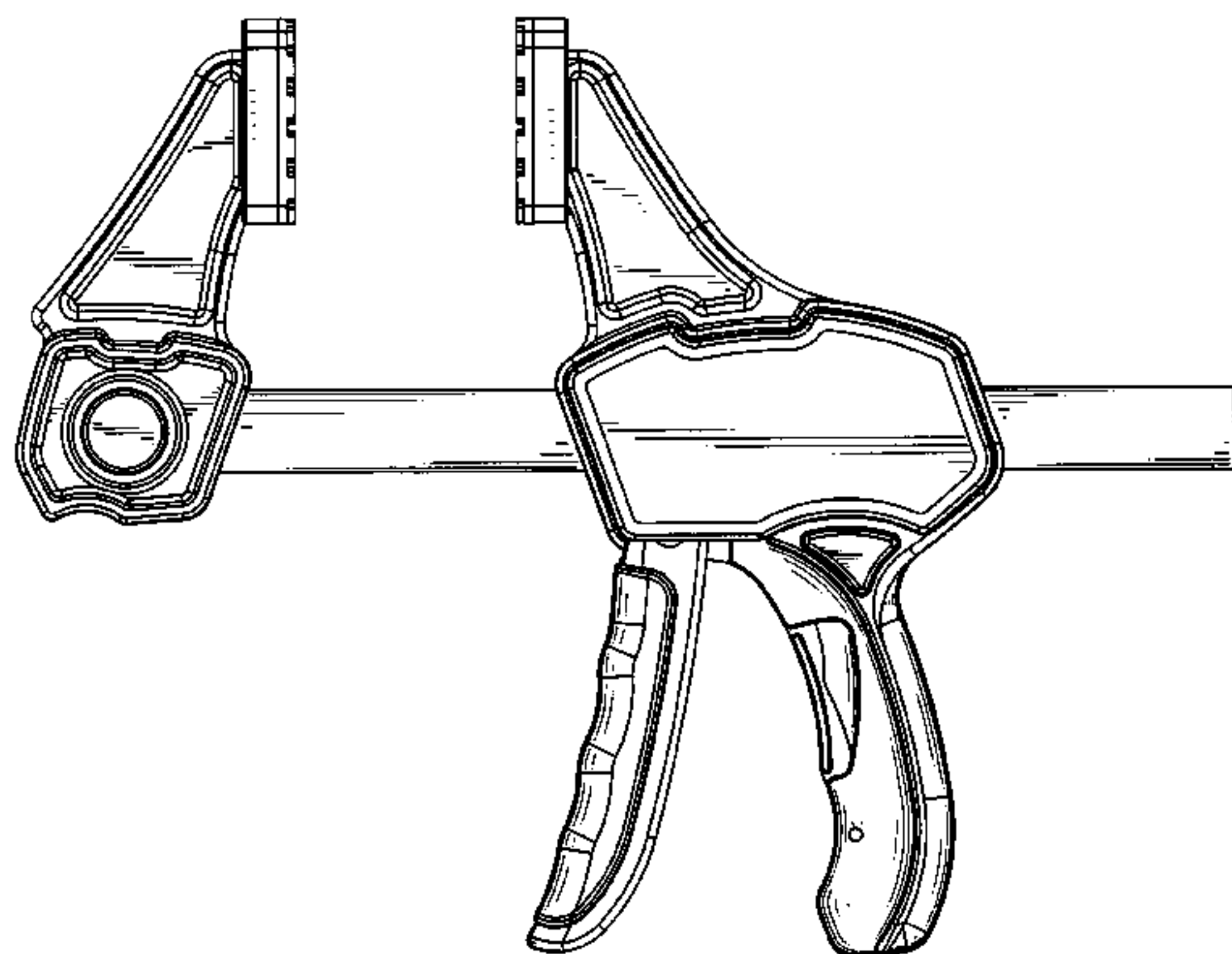
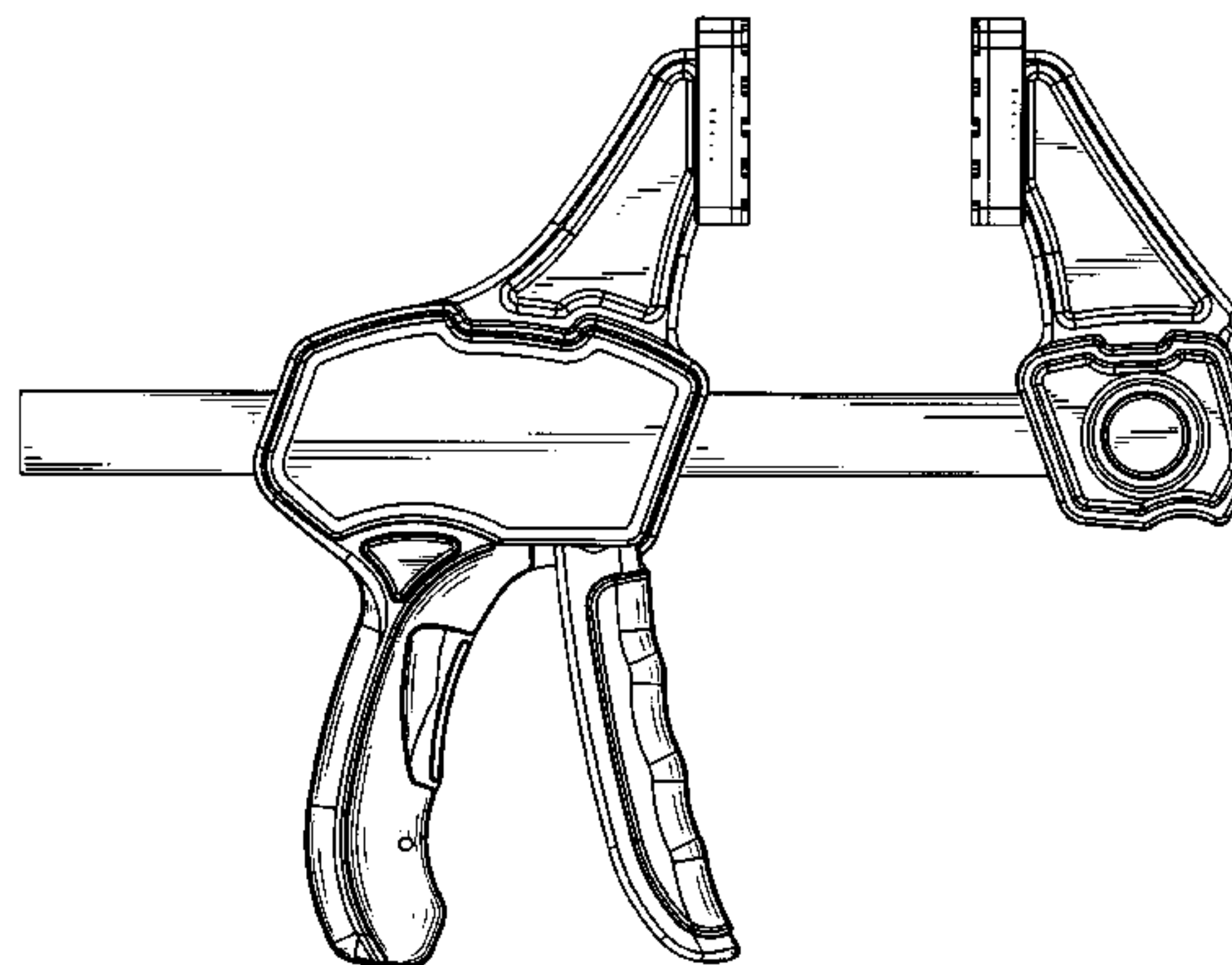
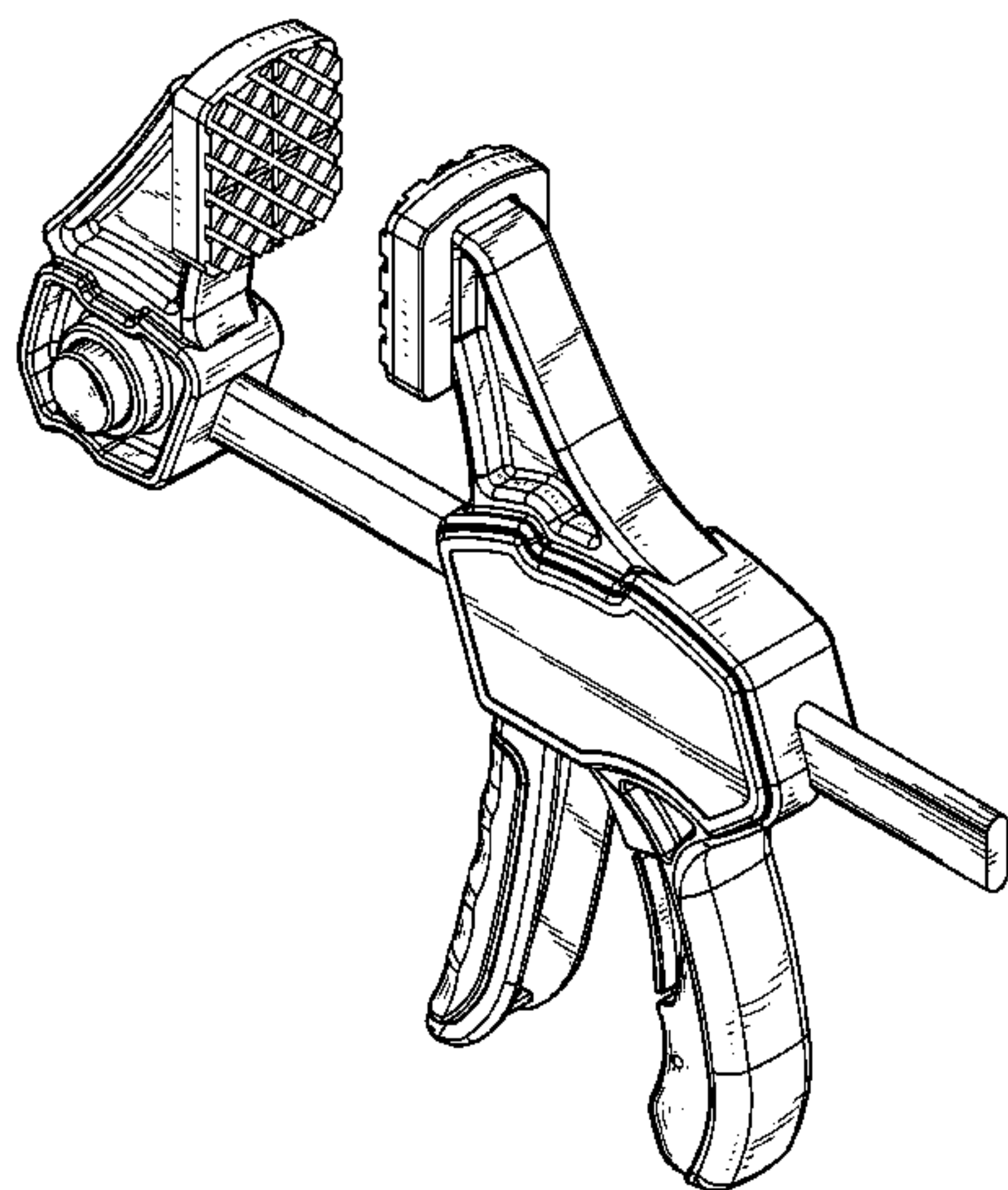
FIG. 4 is a left side elevational view thereof;

FIG. 5 is a right side elevational view thereof;

FIG. 6 is a top plan view thereof; and,

FIG. 7 is a bottom plan view thereof.

1 Claim, 7 Drawing Sheets



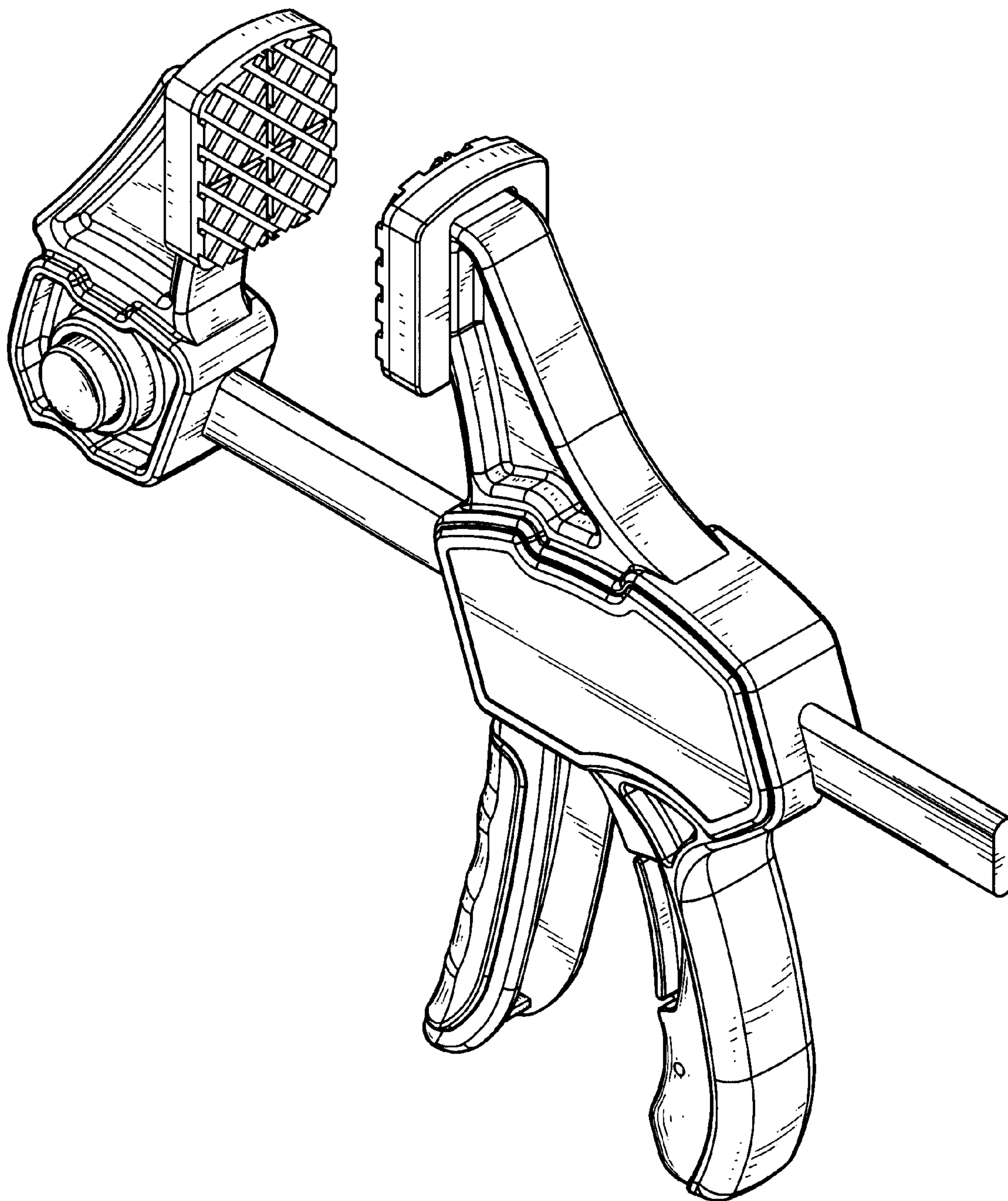


FIG. 1

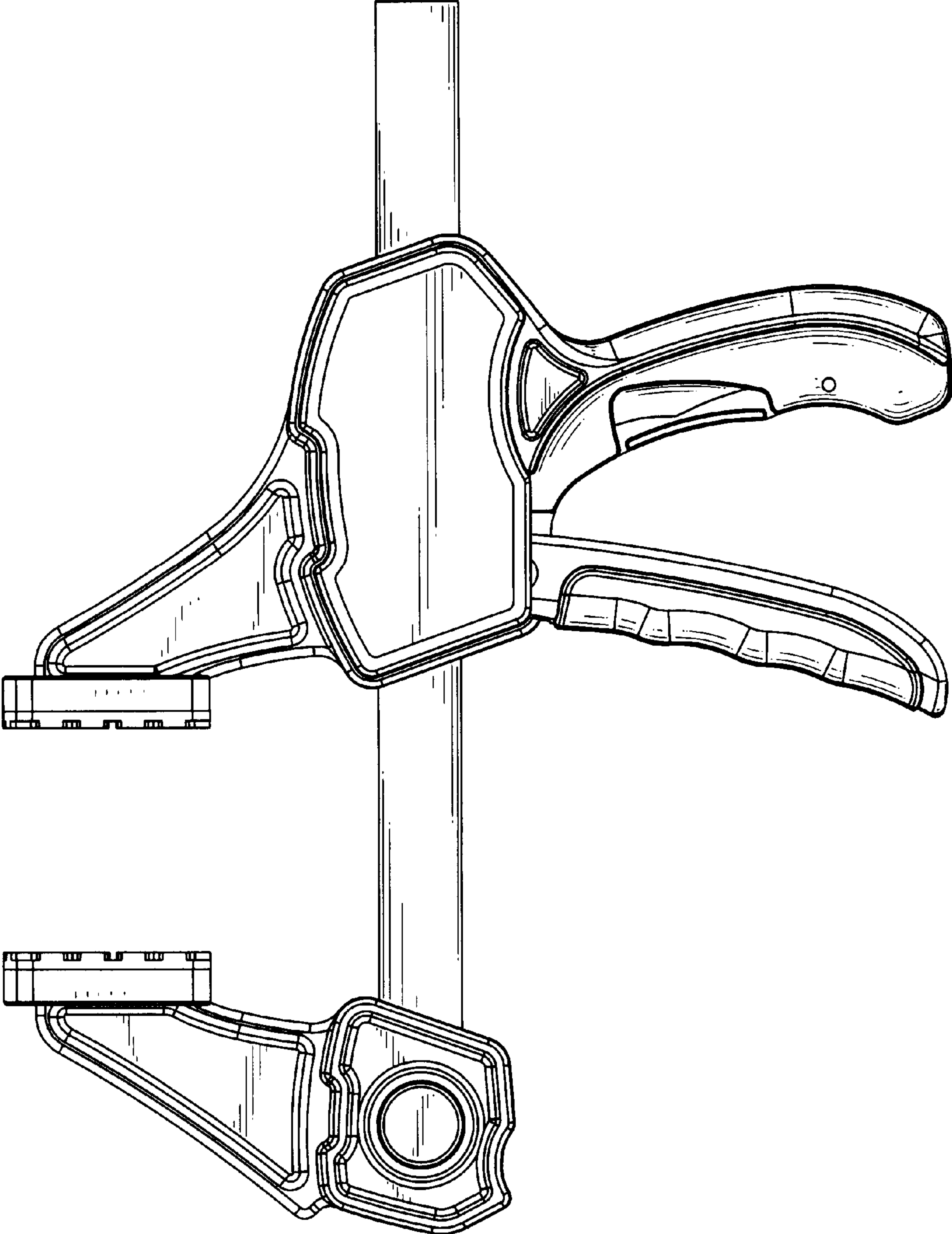


FIG. 2

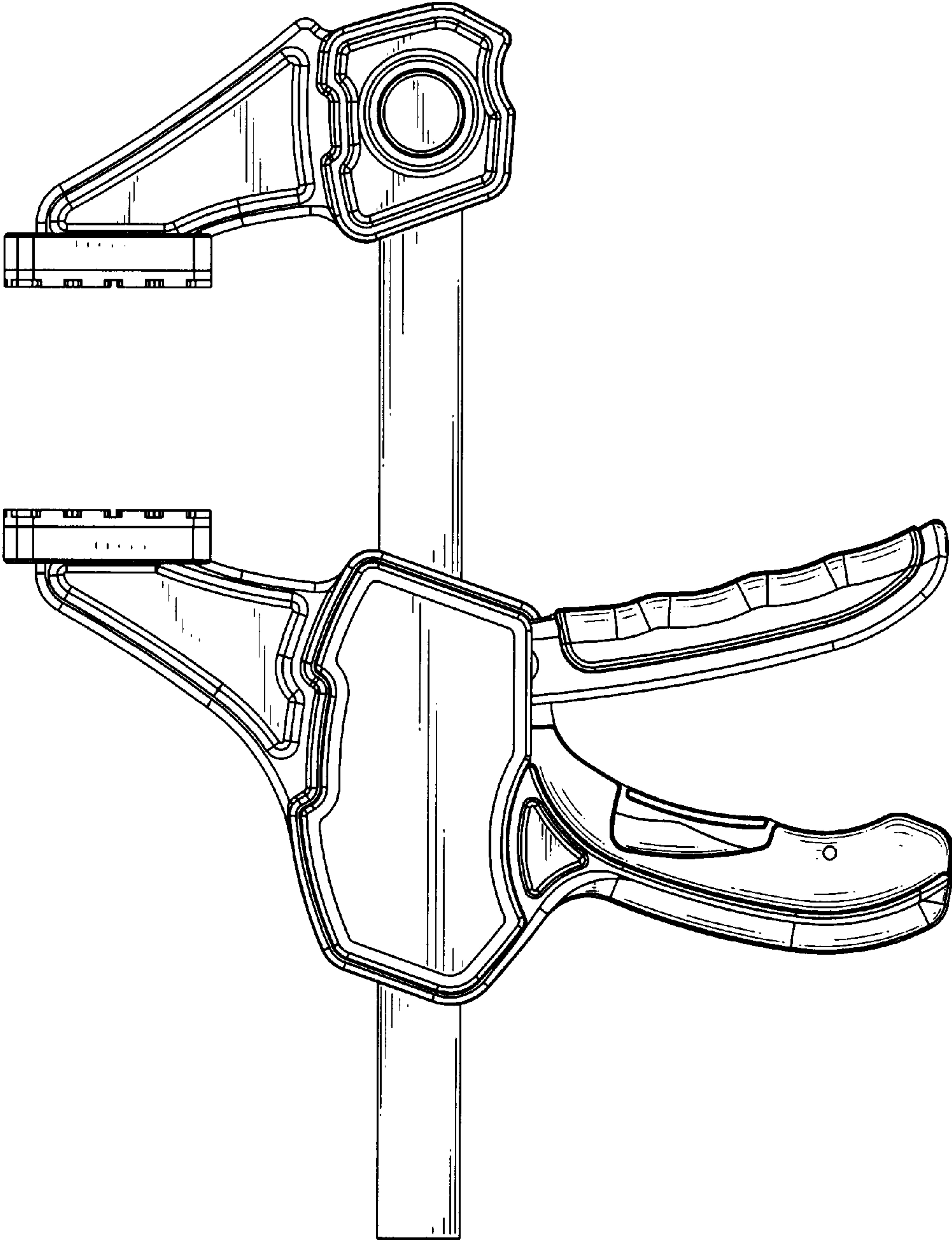


FIG. 3

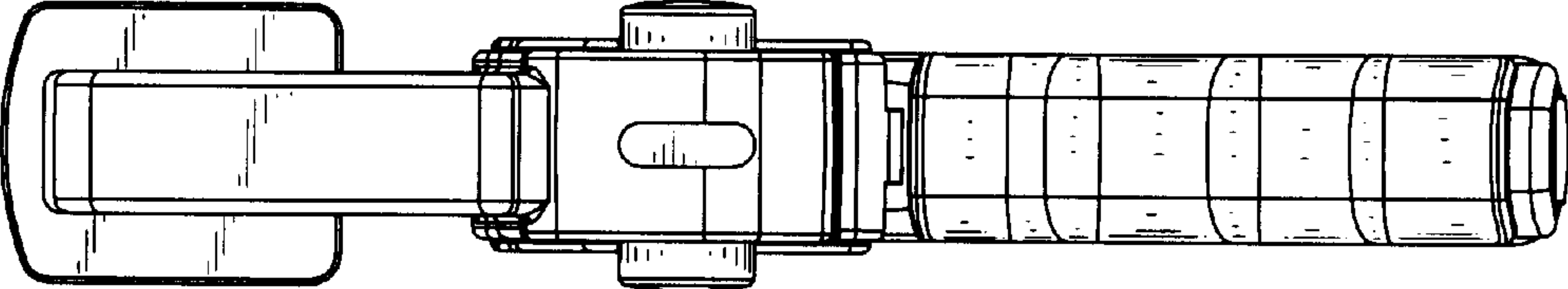


FIG. 4

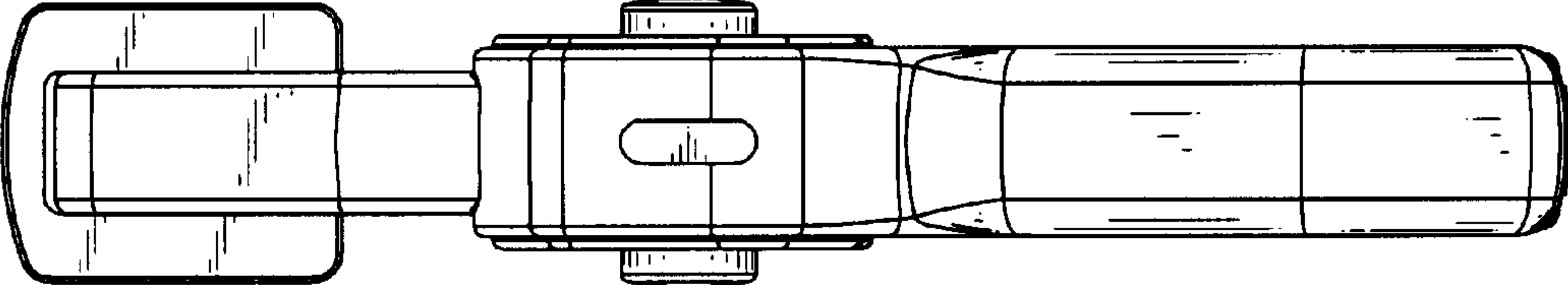


FIG. 5

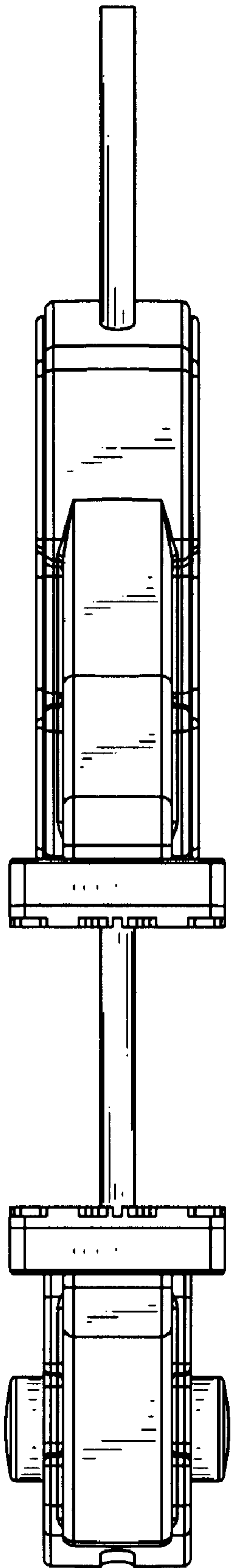


FIG. 6

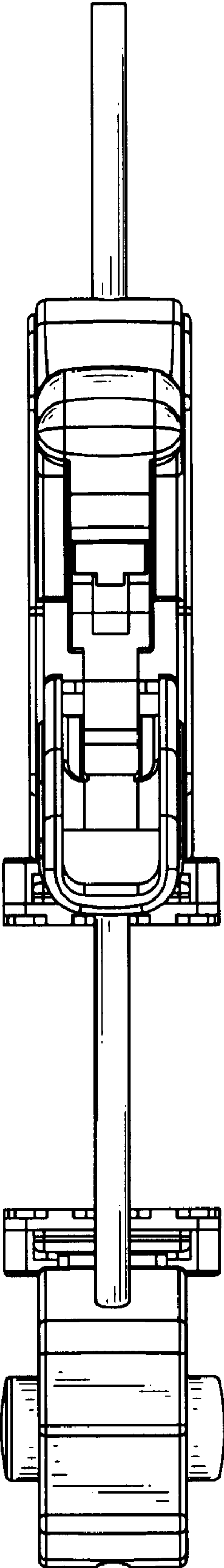


FIG. 7