



US00D541613S

(12) **United States Design Patent**
Wang

(10) **Patent No.:** **US D541,613 S**

(45) **Date of Patent:** **** May 1, 2007**

(54) **CLAMP**

(76) **Inventor:** **Guei-Ying Wang**, No. 148, Chaofu Rd.,
Situn District, Taichung City (TW), 407

(**) **Term:** **14 Years**

(21) **Appl. No.:** **29/252,643**

(22) **Filed:** **Jan. 25, 2006**

(51) **LOC (8) Cl.** **08-05**

(52) **U.S. Cl.** **D8/74**

(58) **Field of Classification Search** D8/74,
D8/73, 72, 394, 71; 269/3, 6, 143, 147-149,
269/95; 81/355, 356, 353, 487; 29/257, 276
See application file for complete search history.

(56) **References Cited**

U.S. PATENT DOCUMENTS

5,094,131	A	*	3/1992	Sorensen et al.	81/487
D366,820	S	*	2/1996	Wooster et al.	D8/72
D439,487	S	*	3/2001	Renner	D8/72
D481,606	S	*	11/2003	Ben-Gigi	D8/72
D481,921	S	*	11/2003	Ben-Gigi	D8/72
D488,043	S	*	4/2004	Ben-Gigi	D8/72
D488,044	S	*	4/2004	Varzino	D8/72
D515,386	S	*	2/2006	Noniewicz et al.	D8/72

D516,892	S	*	3/2006	Ping	D8/72
7,017,894	B1	*	3/2006	Lin	269/6
2005/0236753	A1	*	10/2005	Ben-Gigi	269/6
2006/0131802	A1	*	6/2006	Fuller et al.	269/6
2006/0226588	A1	*	10/2006	Khachatoorian et al.	269/6
2006/0255519	A1	*	11/2006	Noniewicz	269/6

* cited by examiner

Primary Examiner—Louis Zarfaz

Assistant Examiner—David Muller

(74) *Attorney, Agent, or Firm*—Banger Shia

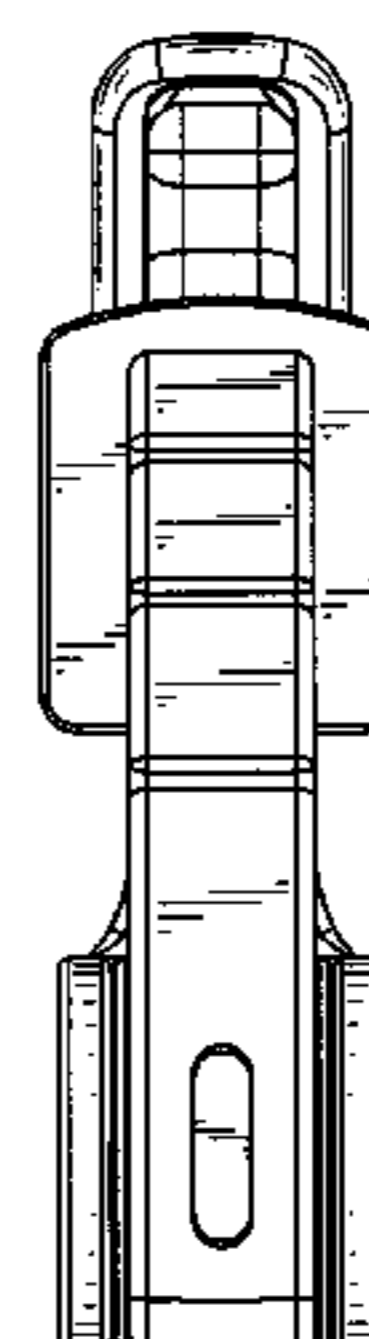
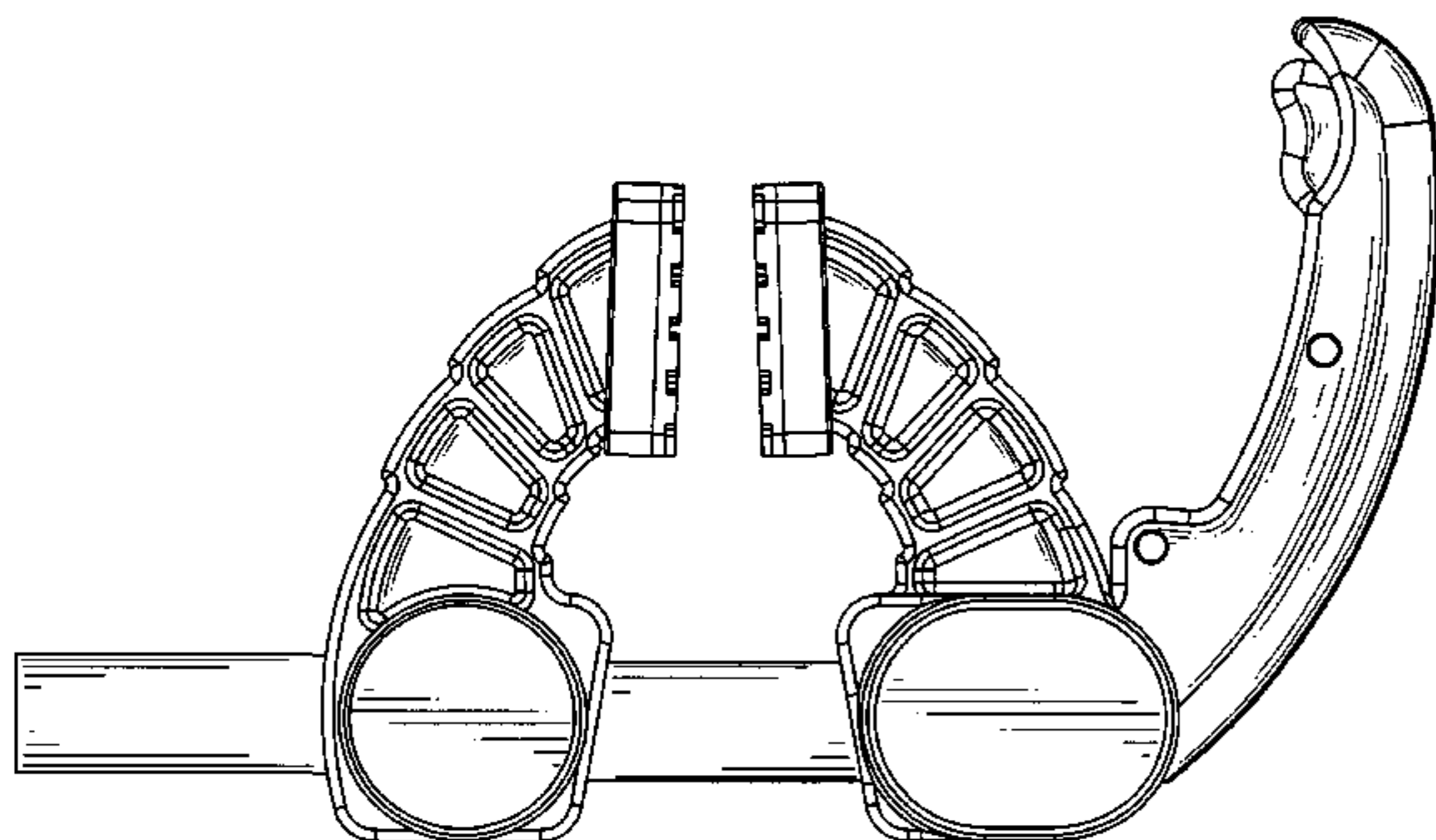
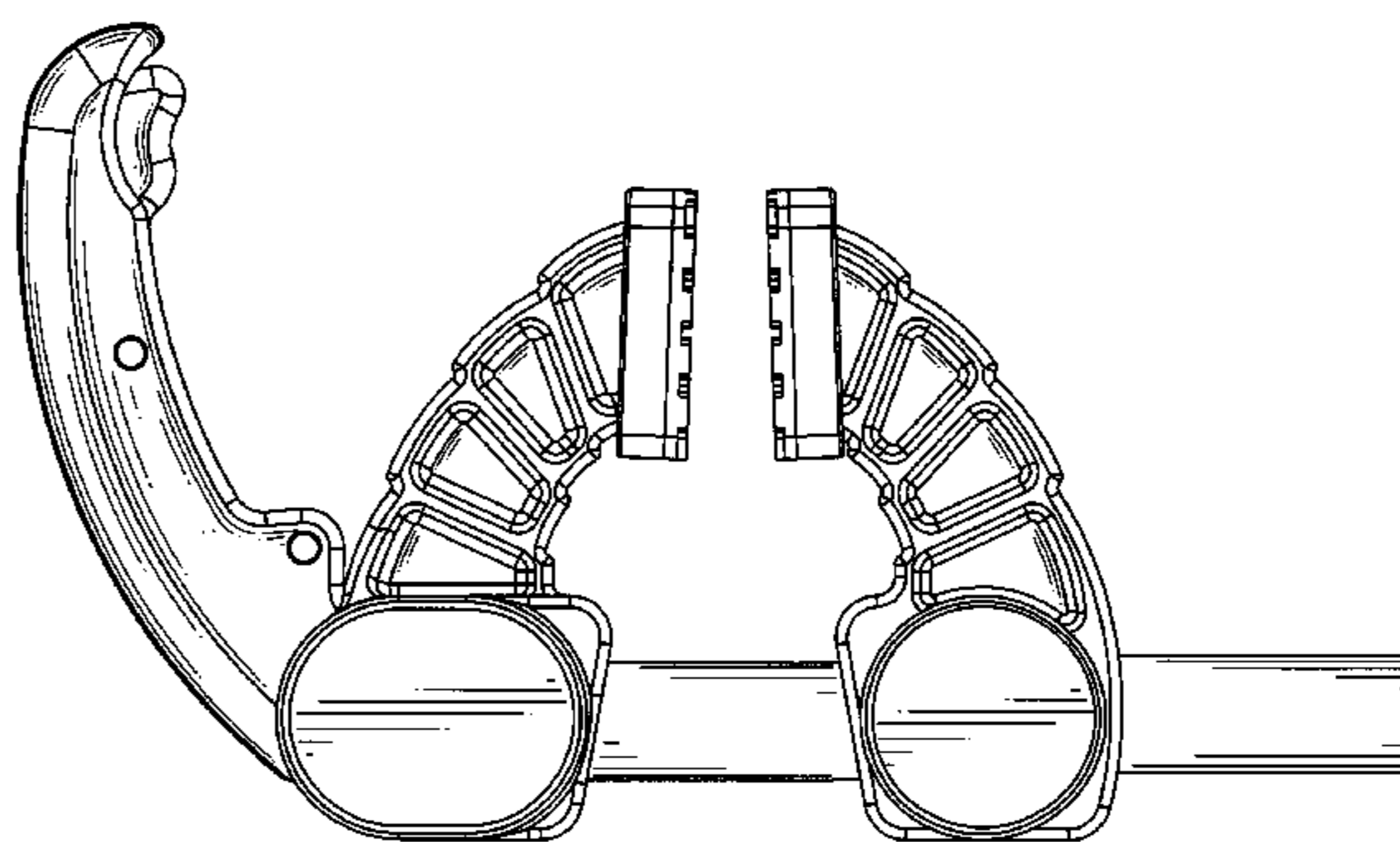
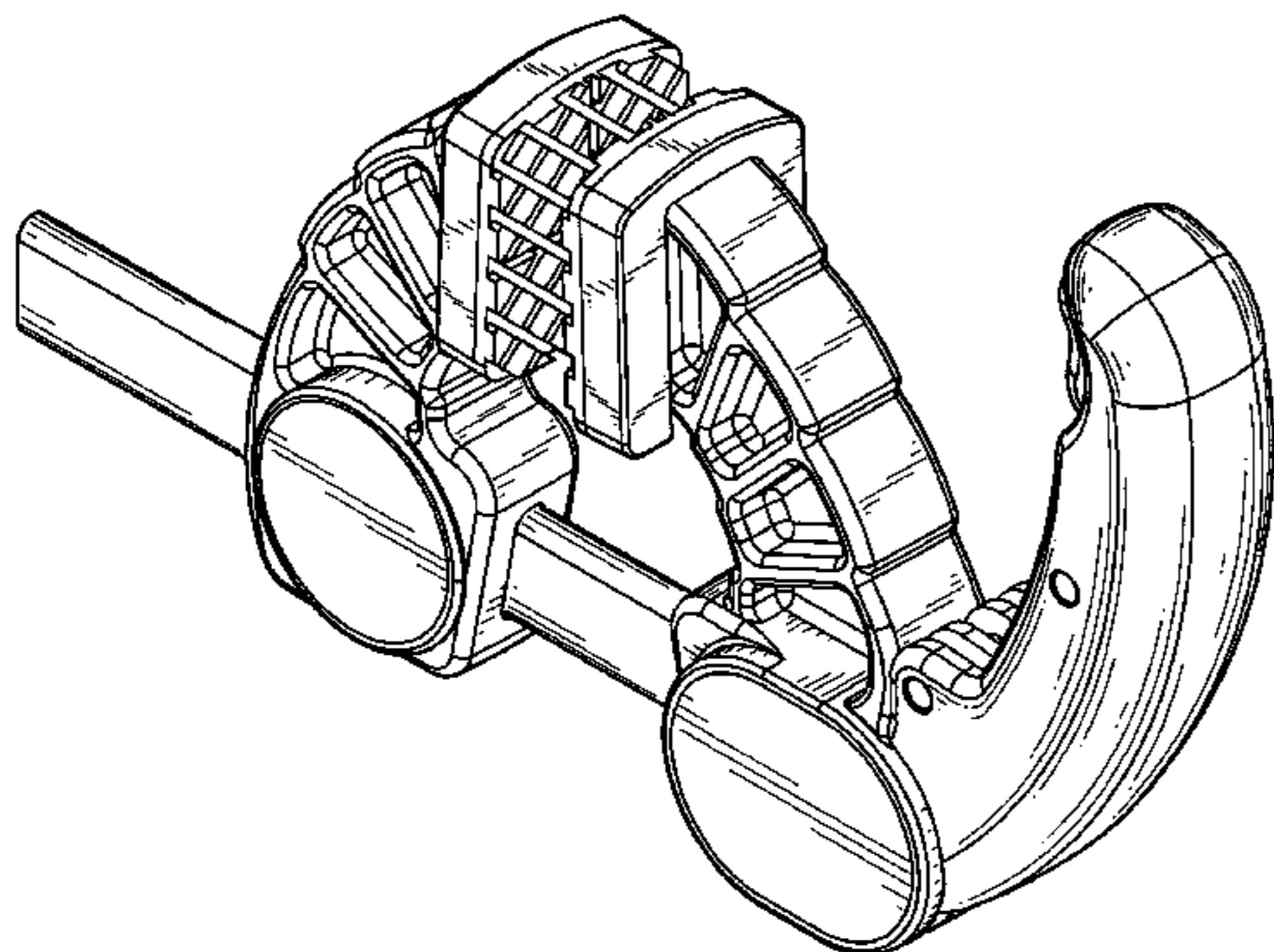
(57) **CLAIM**

The ornamental design for a clamp, as shown and described.

DESCRIPTION

FIG. 1 is a perspective view of a clamp, showing my new design;
 FIG. 2 is a front elevational view thereof;
 FIG. 3 is a rear elevational view thereof;
 FIG. 4 is a left side elevational view thereof;
 FIG. 5 is a right side elevational view thereof;
 FIG. 6 is a top plan view thereof;
 FIG. 7 is a bottom plan view thereof; and,
 FIG. 8 is a perspective view showing an embodiment of the
 claimed design in an open position.

1 Claim, 8 Drawing Sheets



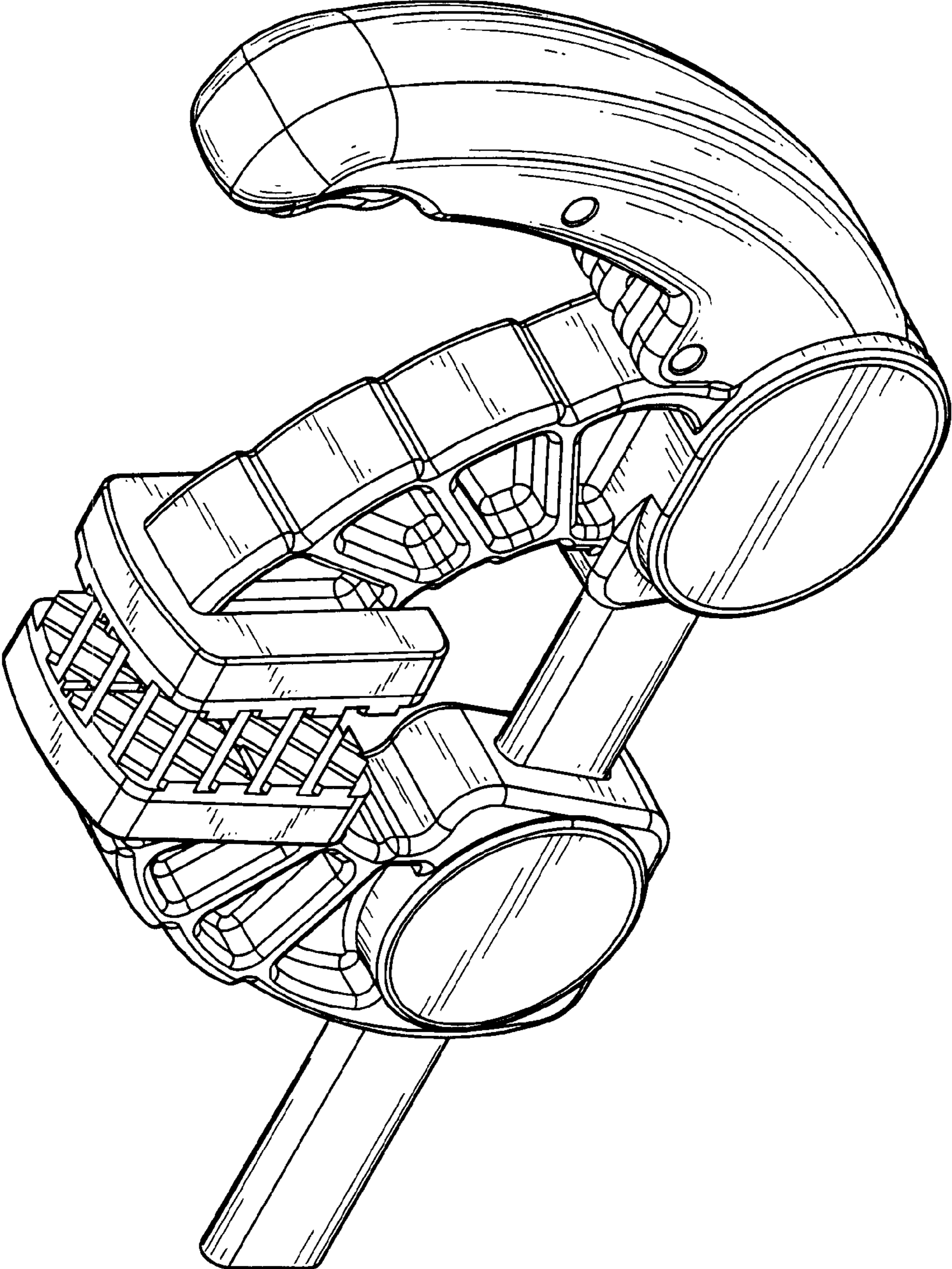


FIG. 1

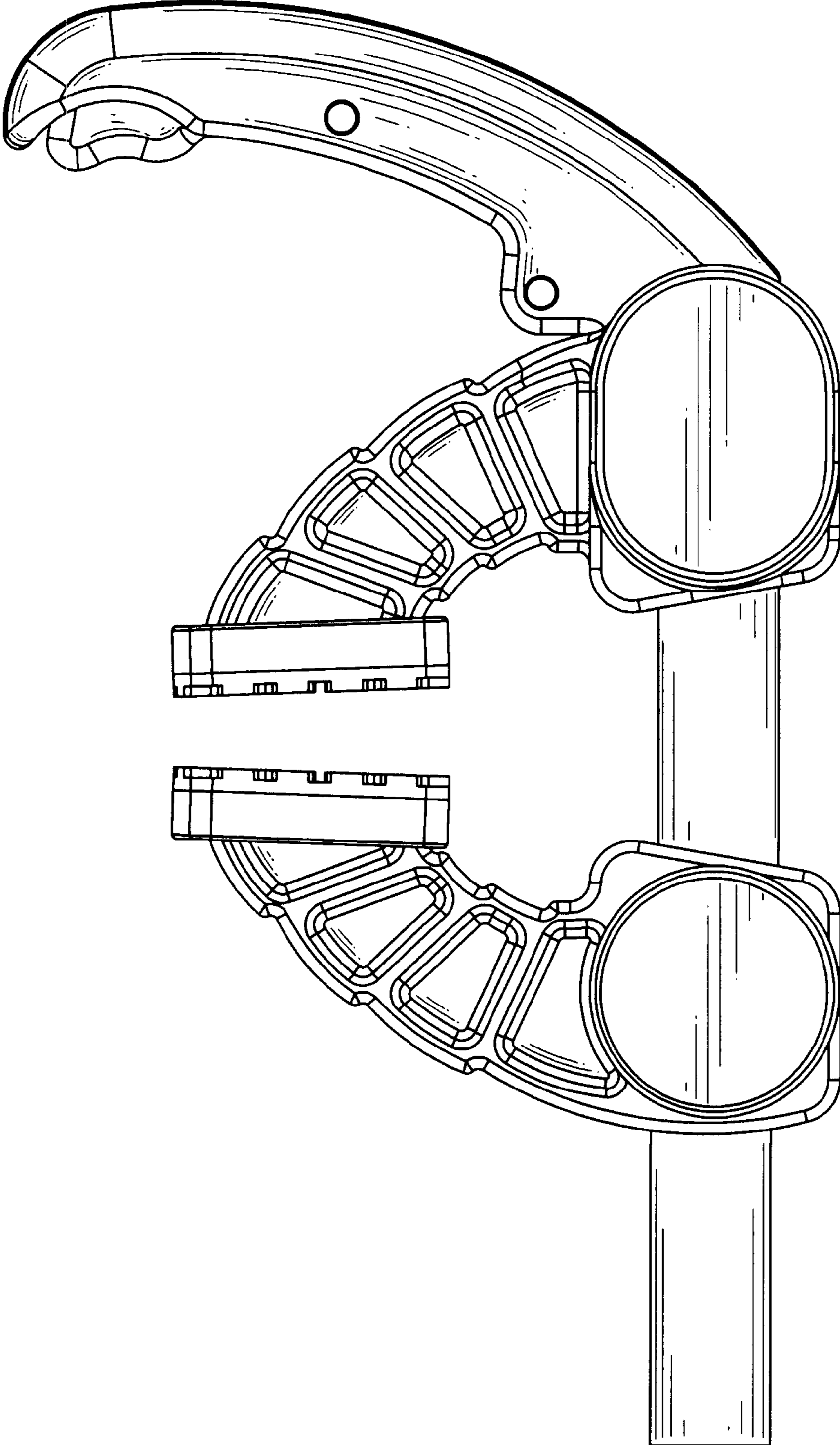


FIG. 2

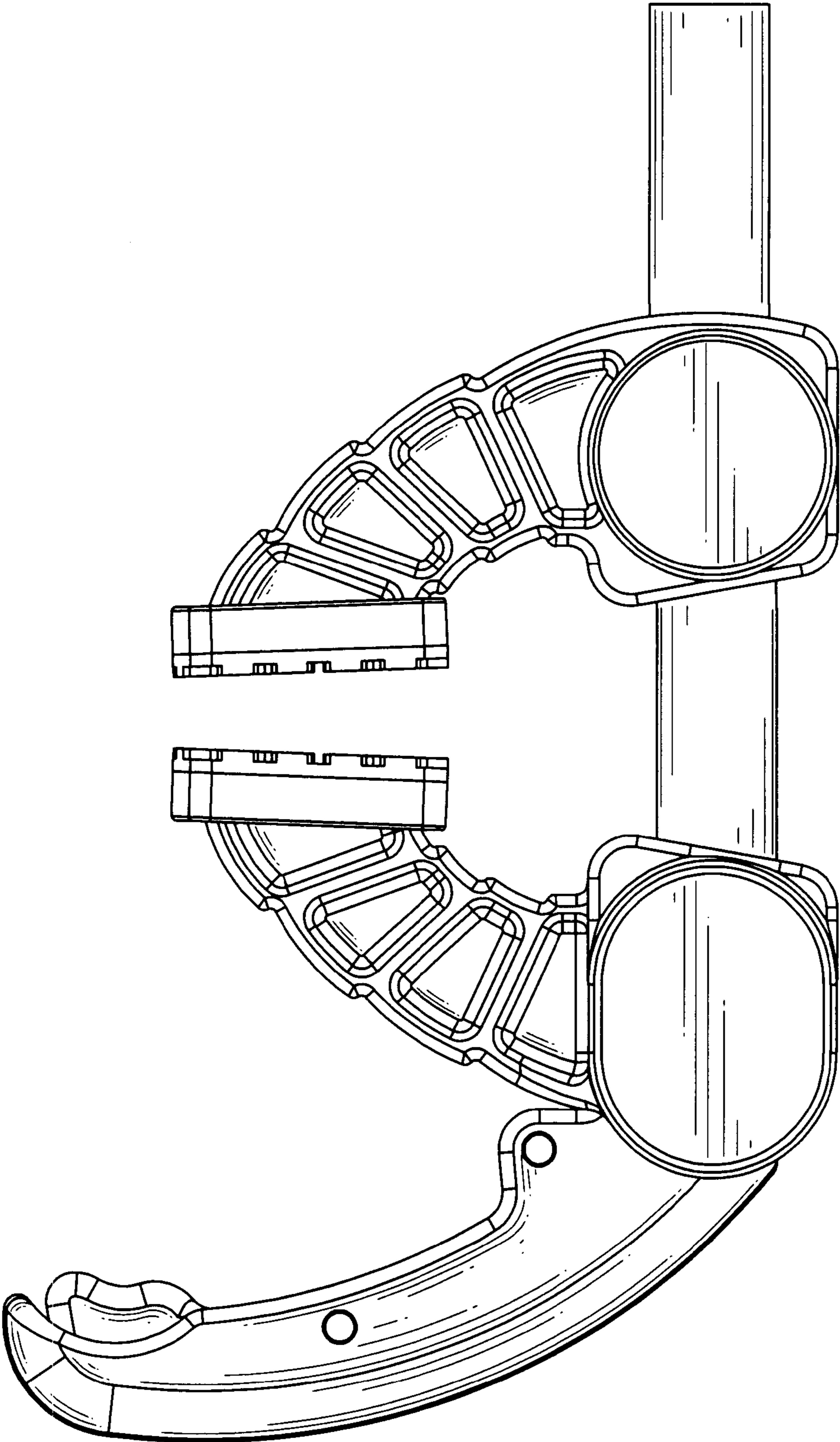


FIG. 3

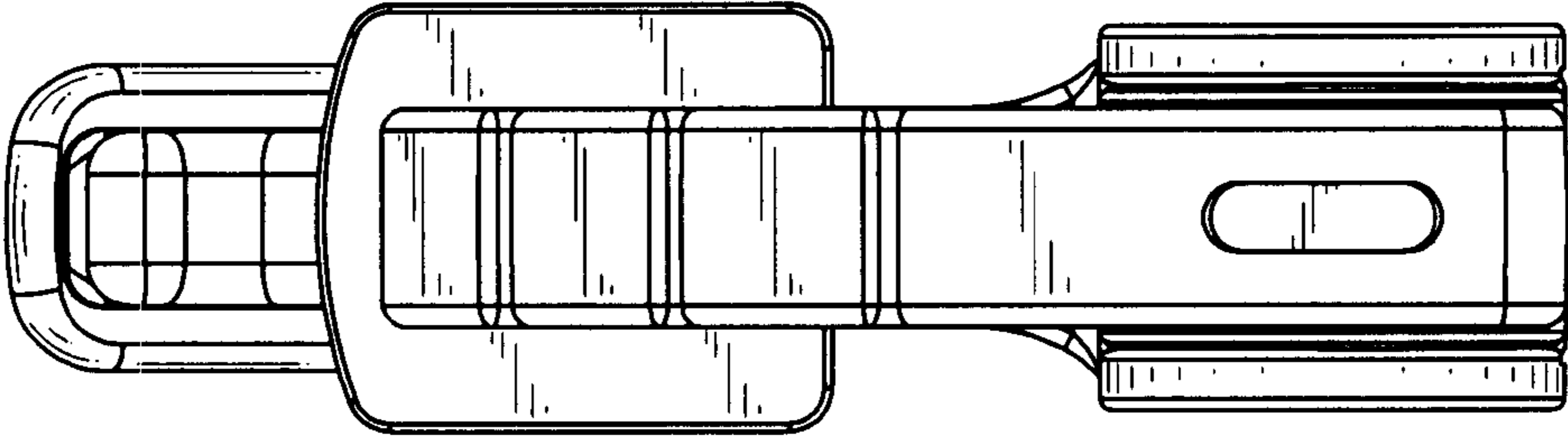


FIG. 4

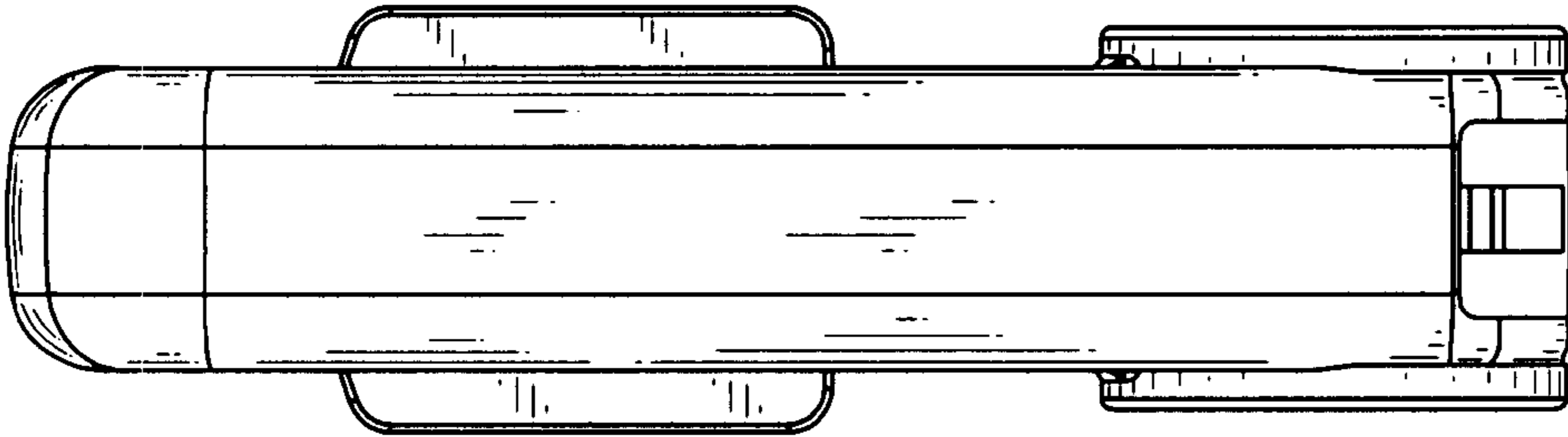


FIG. 5

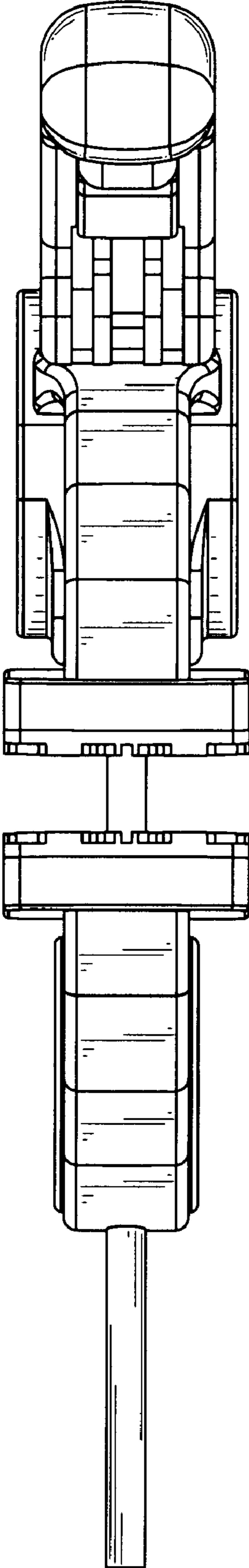


FIG. 6

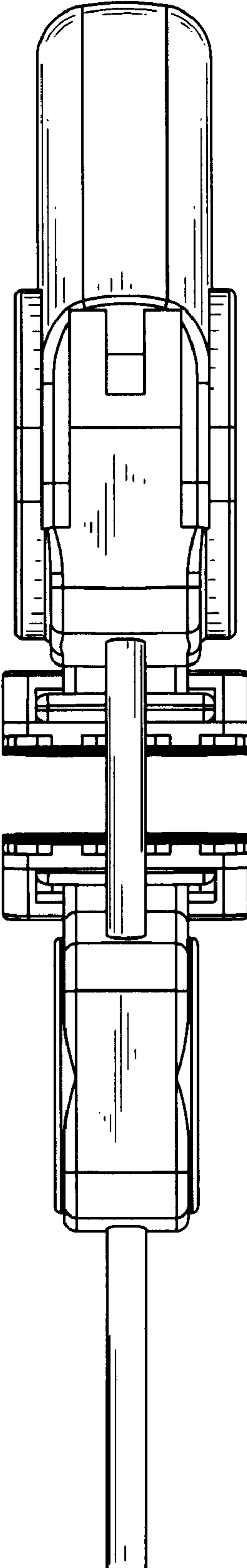


FIG. 7

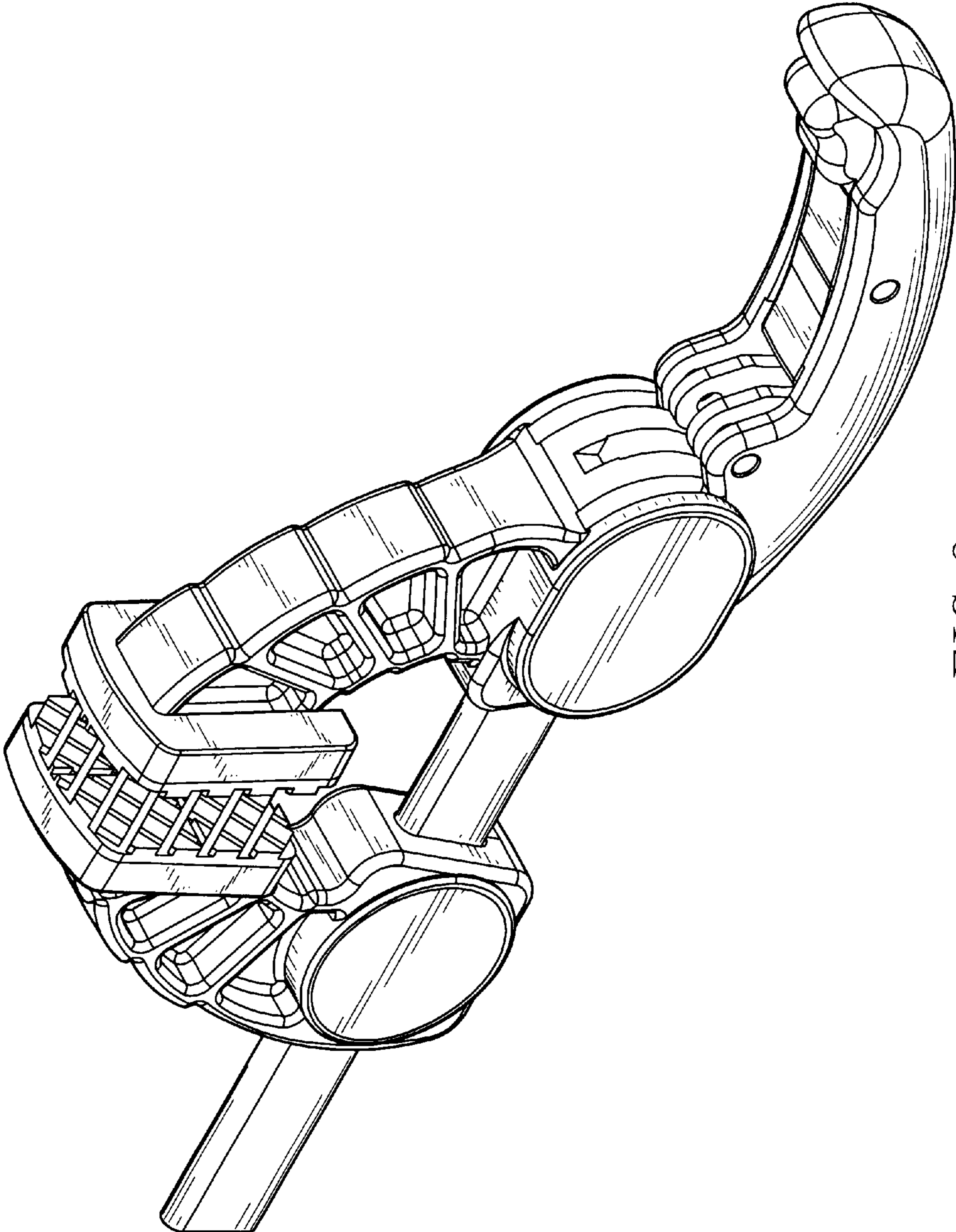


FIG. 8