

US00D541612S

(12) **United States Design Patent**
Lin et al.

(10) **Patent No.:** **US D541,612 S**

(45) **Date of Patent:** **** May 1, 2007**

(54) **TOOL RACK AND TOOL HOLDER APPARATUS**

D471,358 S * 3/2003 Yang D3/276
D505,548 S * 5/2005 Yang D3/282

(75) Inventors: **Pei-Ying Lin**, Taichung Hsien (TW);
Chanwa Nguy, Cornelius, NC (US)

* cited by examiner

Primary Examiner—Philip S. Hyder

(73) Assignee: **Steelworks Hardware LLC**,
Northfield, IL (US)

(74) *Attorney, Agent, or Firm*—Levenfeld Pearlstein LLC

(**) **Term:** **14 Years**

(57) **CLAIM**

The ornamental design for tool rack and tool holder apparatus, as shown and described.

(21) Appl. No.: **29/241,020**

DESCRIPTION

(22) Filed: **Oct. 21, 2005**

(51) **LOC (8) Cl.** **08-08**

(52) **U.S. Cl.** **D8/71; D3/905**

(58) **Field of Classification Search** D8/71,
D8/70, 72, 105; 206/349, 372, 373; D3/315,
D3/905; 81/439; 211/70.6

See application file for complete search history.

FIG. 1 is a perspective view of a tool rack and tool holder apparatus showing my new design;

FIG. 2 is a front elevation view of apparatus of FIG. 1;

FIG. 3 is a rear elevation view of apparatus of FIG. 1;

FIG. 4 is a left side elevation view of apparatus of FIG. 1;

FIG. 5 is a top plan view of apparatus of FIG. 1;

FIG. 6 is a bottom plan view of apparatus of FIG. 1;

FIG. 7 is a right side elevation view of apparatus of FIG. 1;

FIG. 8 is a perspective view of the tool rack and tool holder apparatus showing my new design, wherein the broken line showings of the tools and tool holder are for illustrative purposes only and form no part of the claimed design; and,

FIG. 9 is a perspective view of the tool rack and tool holder apparatus similar to FIG. 8, but showing the support arms in alternate positions, wherein the broken line showings of the tools and tool holder are for illustrative purposes only and form no part of the claimed design.

(56) **References Cited**

U.S. PATENT DOCUMENTS

D317,380 S * 6/1991 Snyder D3/295
D333,769 S * 3/1993 Jureckson D6/469
D343,106 S * 1/1994 Eklind et al. D6/468
D392,489 S * 3/1998 Ernst D6/571
5,730,303 A * 3/1998 Chow 206/372
5,988,382 A * 11/1999 Ritchie et al. 206/372
D433,613 S * 11/2000 Jialin D8/71
D435,415 S * 12/2000 Johnson et al. D8/71
D459,967 S * 7/2002 Johnson et al. D8/71

1 Claim, 8 Drawing Sheets

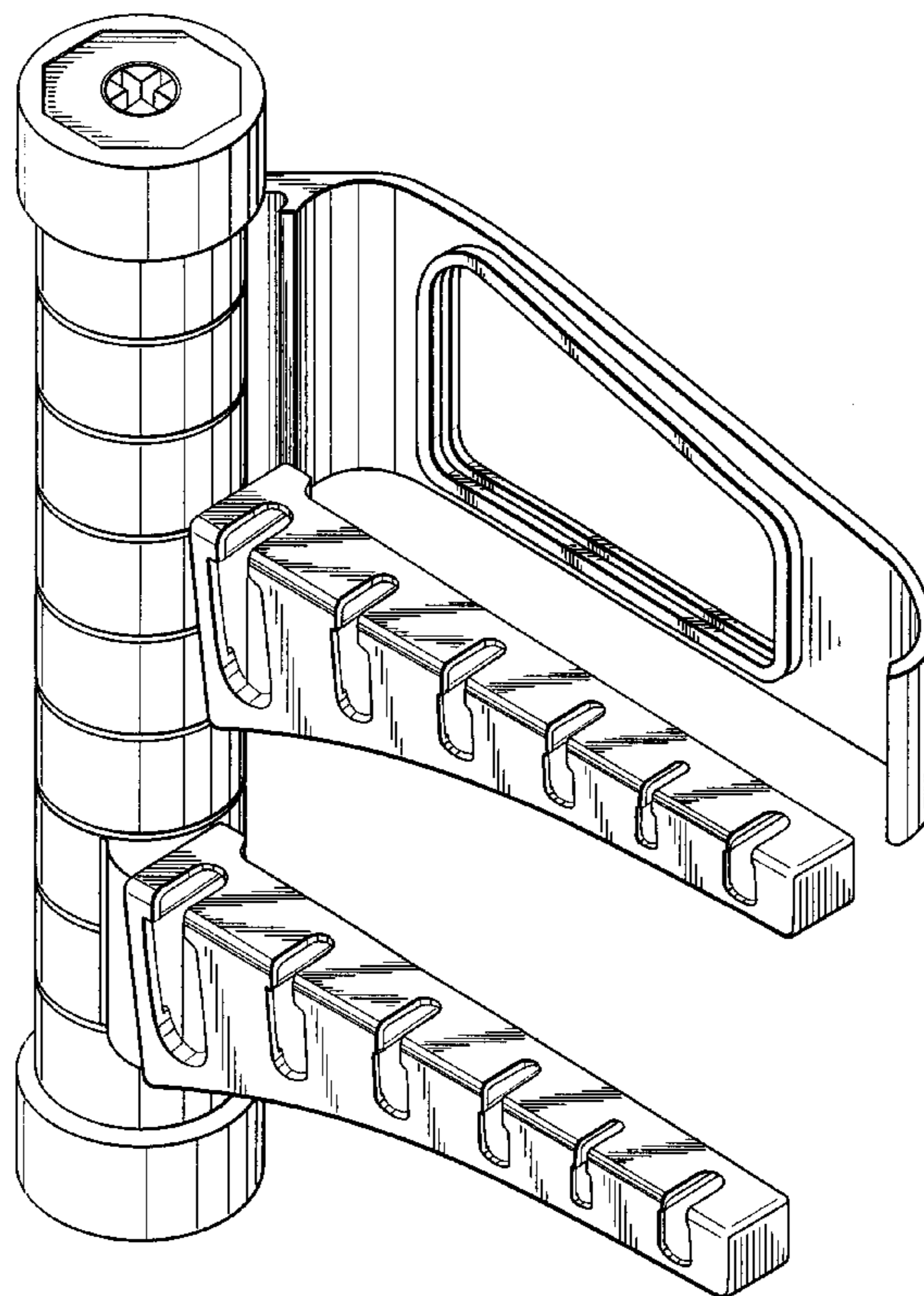


Fig. 1

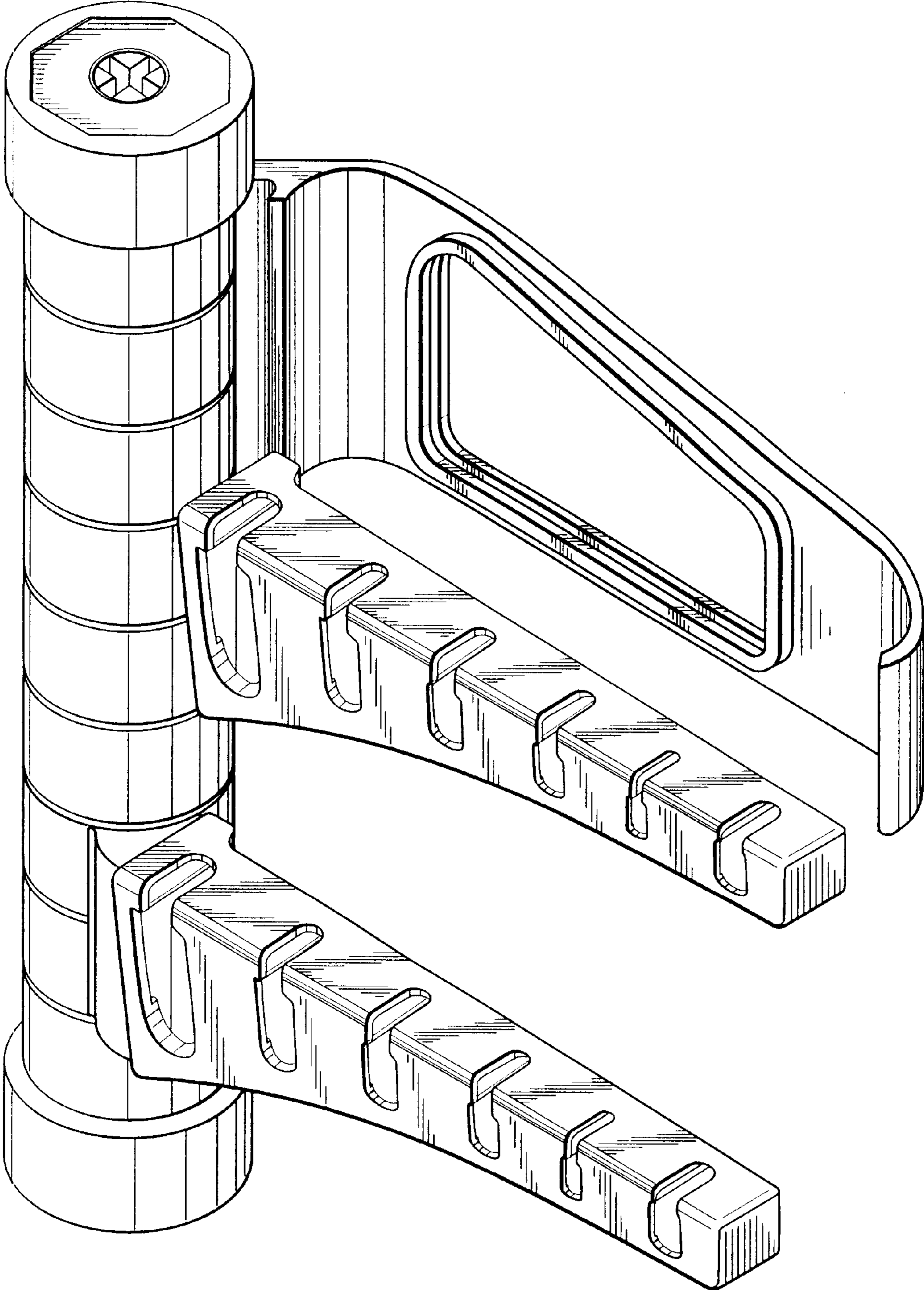


Fig. 2

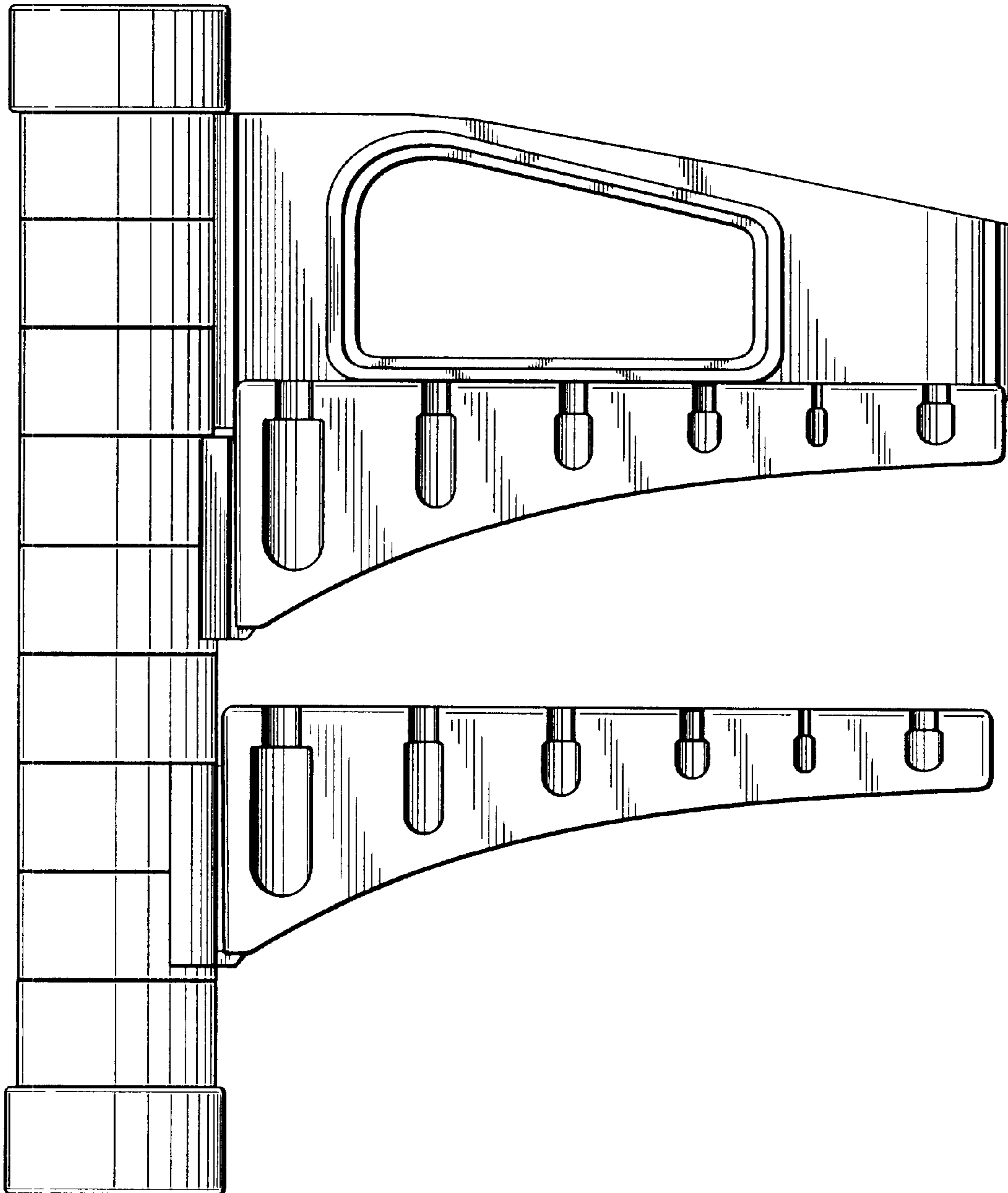


Fig. 3

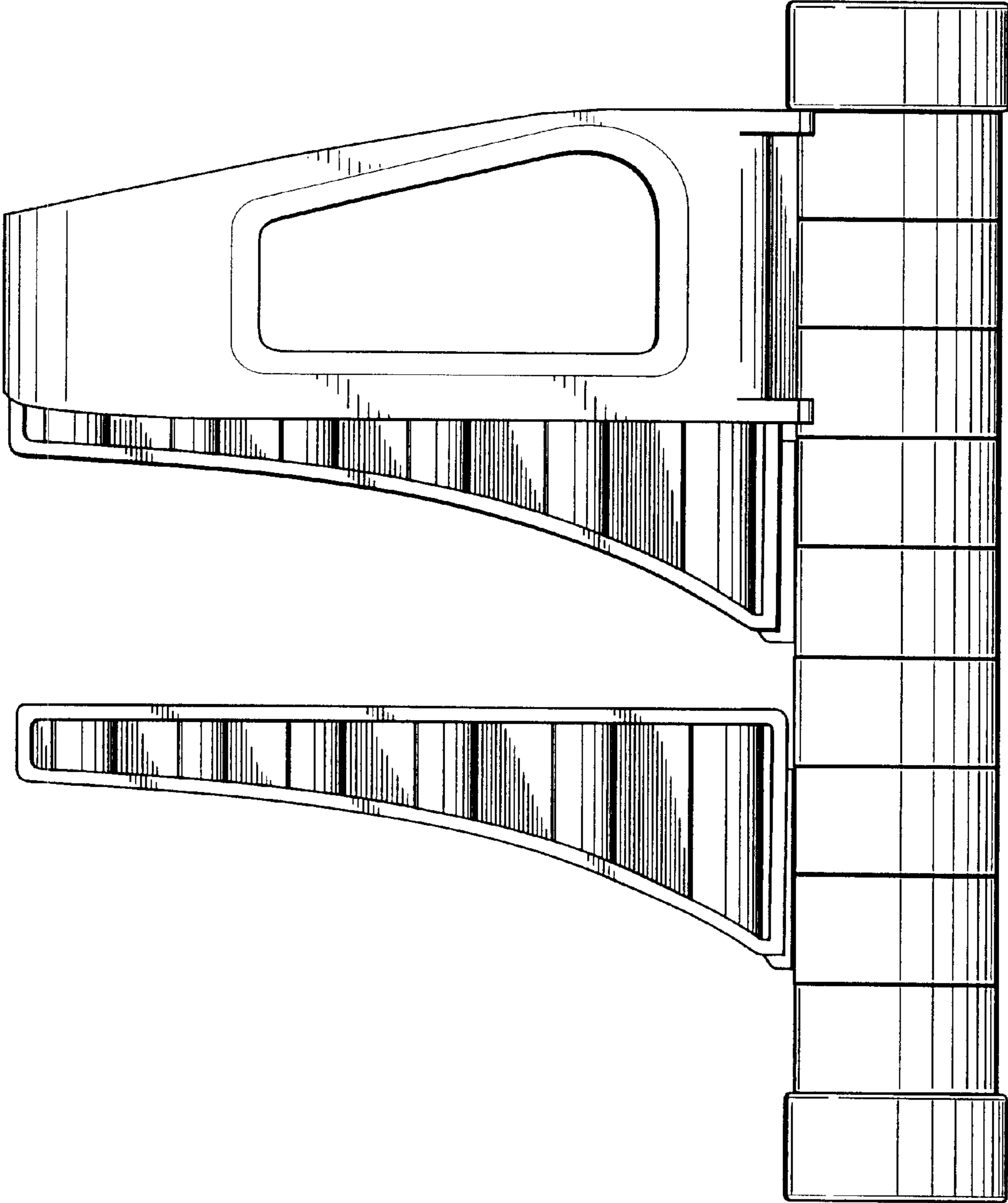


Fig. 4

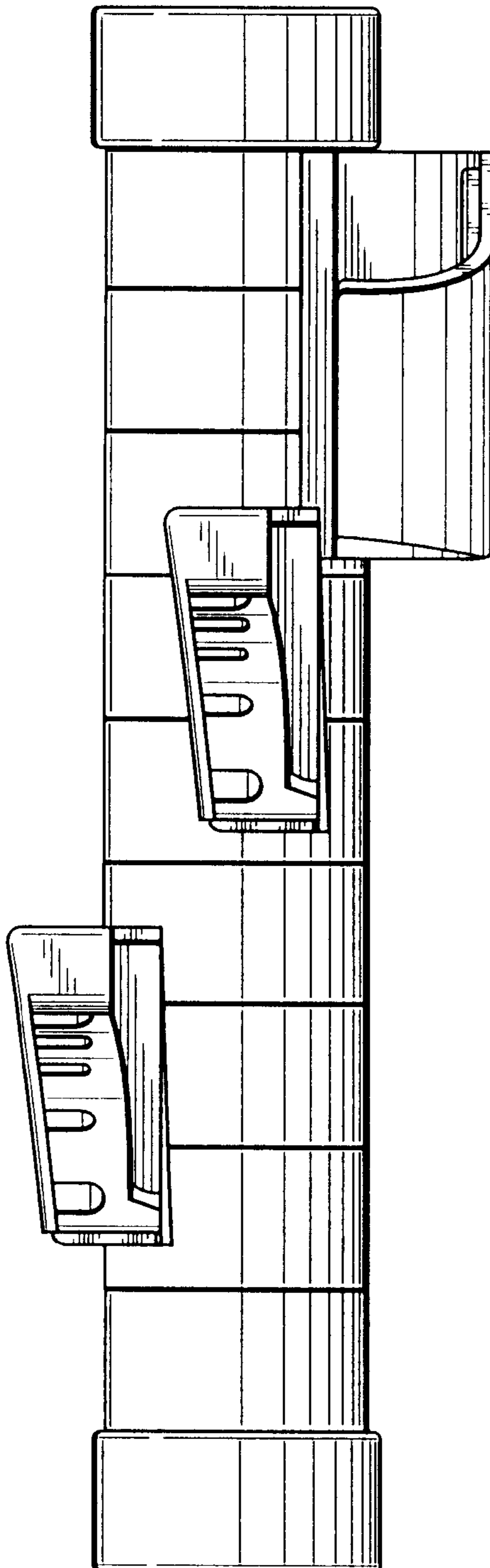


Fig. 5

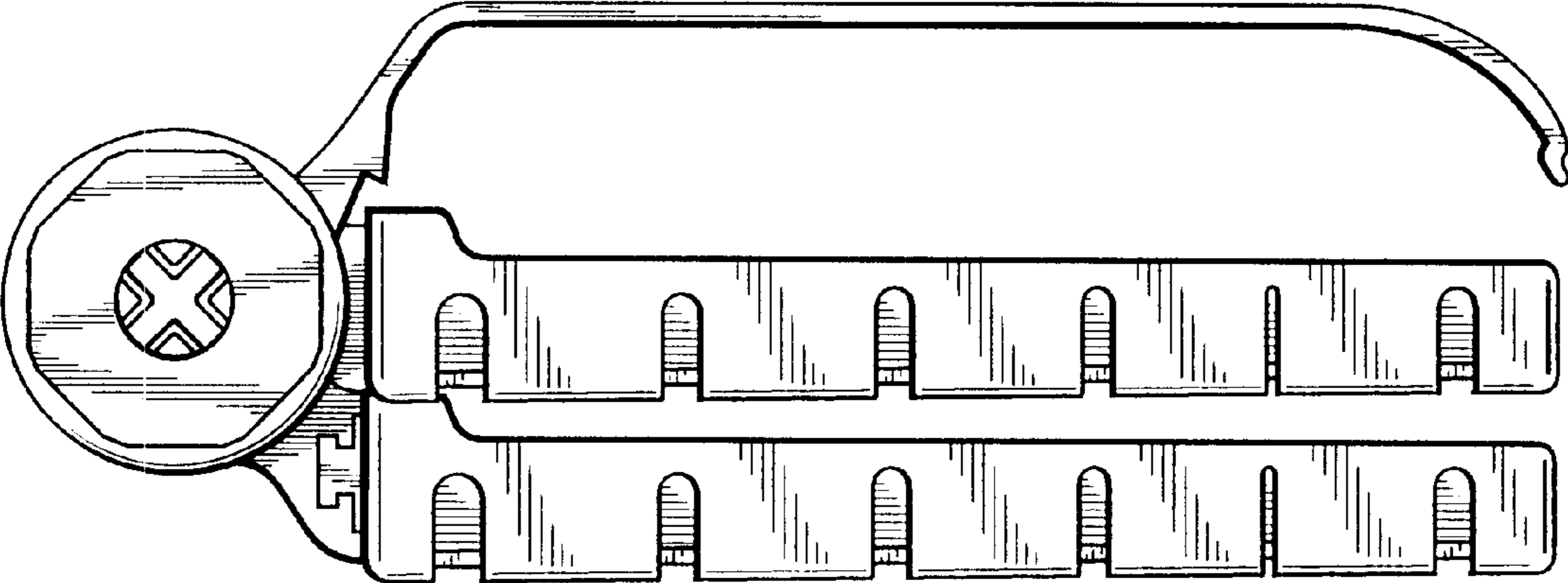


Fig. 6

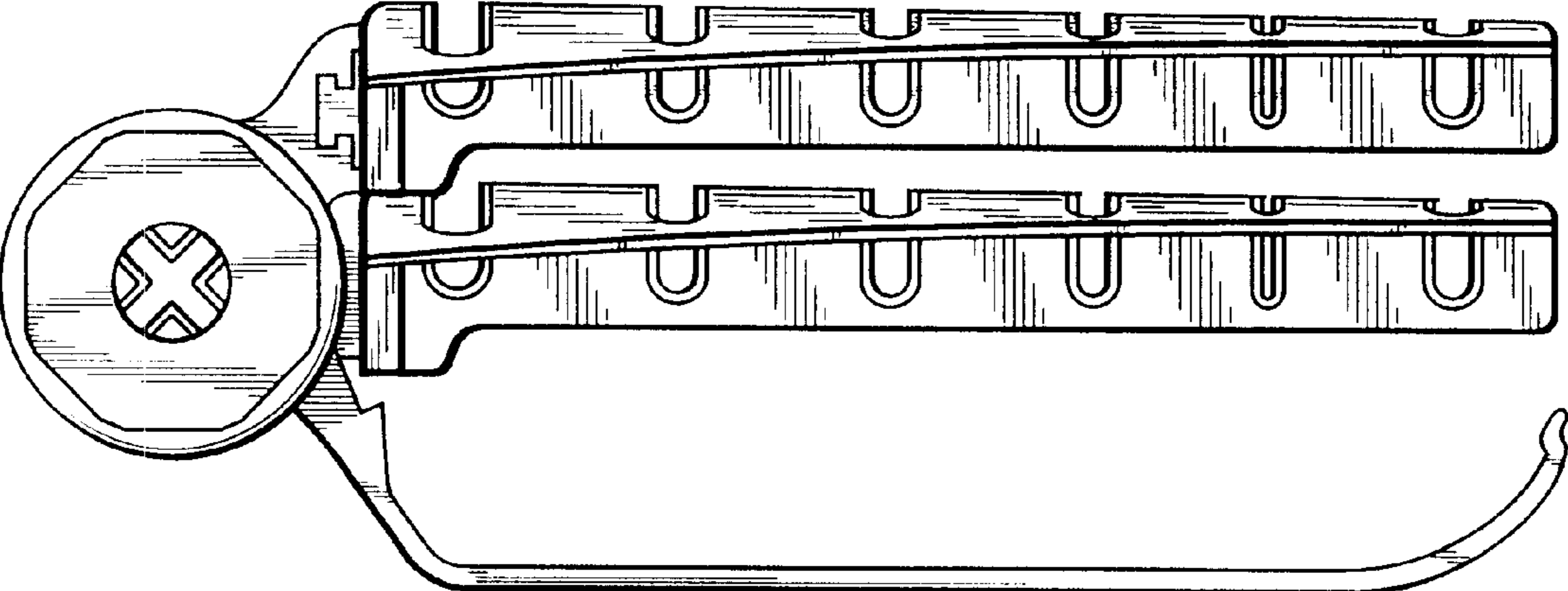


Fig. 7

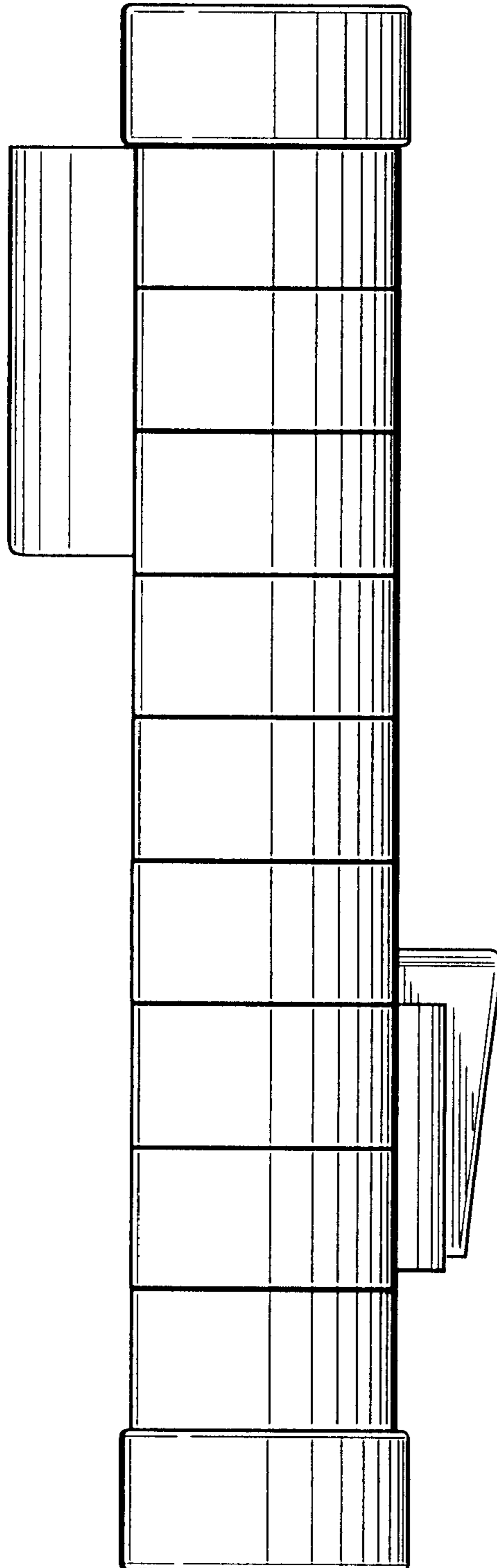


Fig. 8

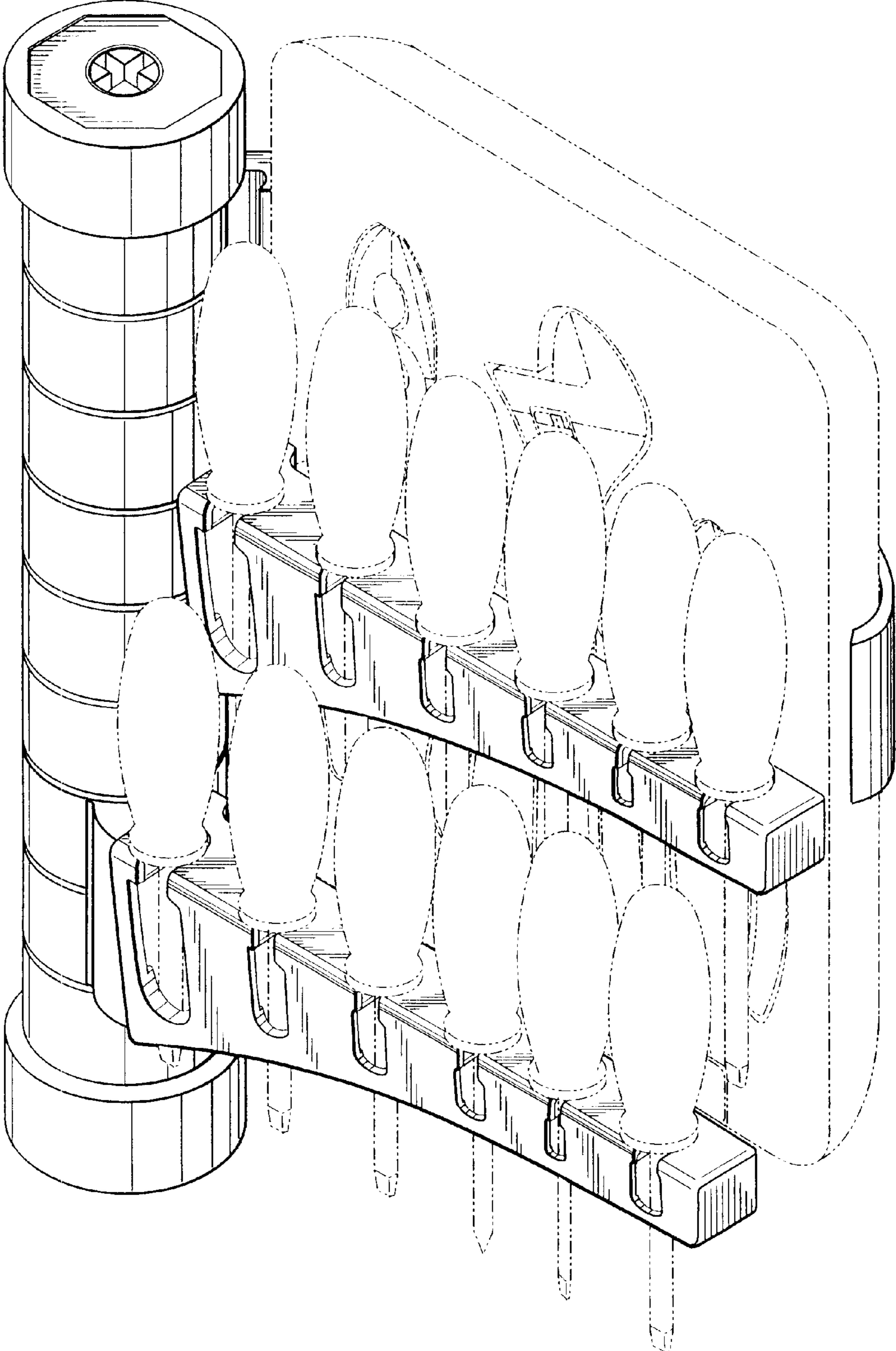


Fig. 9

