

US00D541610S

(12) **United States Design Patent**
Segroves

(10) **Patent No.:** **US D541,610 S**

(45) **Date of Patent:** **** May 1, 2007**

(54) **CONNECTOR INSERTION AND REMOVAL TOOL**

(75) Inventor: **Roger D. Segroves**, Lockport, IL (US)

(73) Assignee: **Panduit Corp.**, Tinley Park, IL (US)

(**) Term: **14 Years**

(21) Appl. No.: **29/204,340**

(22) Filed: **Apr. 28, 2004**

(51) **LOC (8) Cl.** **08-05**

(52) **U.S. Cl.** **D8/51**

(58) **Field of Classification Search** D8/14.1,
D8/30, 51, 68, 87; D24/133, 135, 137, 138,
D24/143; 29/284, 278, 720, 729, 735, 739,
29/758, 764; 294/1.4, 19.1, 100, 115; 385/134,
385/147

See application file for complete search history.

(56) **References Cited**

U.S. PATENT DOCUMENTS

- D222,227 S * 10/1971 Rusztowicz D8/51
- 4,290,193 A 9/1981 Anderton et al.
- D267,145 S * 12/1982 Kaneko D8/51
- 4,669,769 A * 6/1987 Polder, Jr. 294/19.1
- 4,962,957 A * 10/1990 Traber 294/19.1
- D347,474 S * 5/1994 Olson D24/145

- D413,235 S * 8/1999 Hwang D8/14.1
- 5,956,832 A 9/1999 Reagan
- 6,508,496 B1 * 1/2003 Huang 294/19.1
- D498,998 S * 11/2004 Paumen et al. D8/54
- D509,297 S * 9/2005 Wells D24/145
- 7,004,520 B2 * 2/2006 Khubani et al. 294/19.1

* cited by examiner

Primary Examiner—Alan P. Douglas

Assistant Examiner—Deanna Fluegeman

(74) *Attorney, Agent, or Firm*—Robert A. McCann;
Zachary J. Smolinski

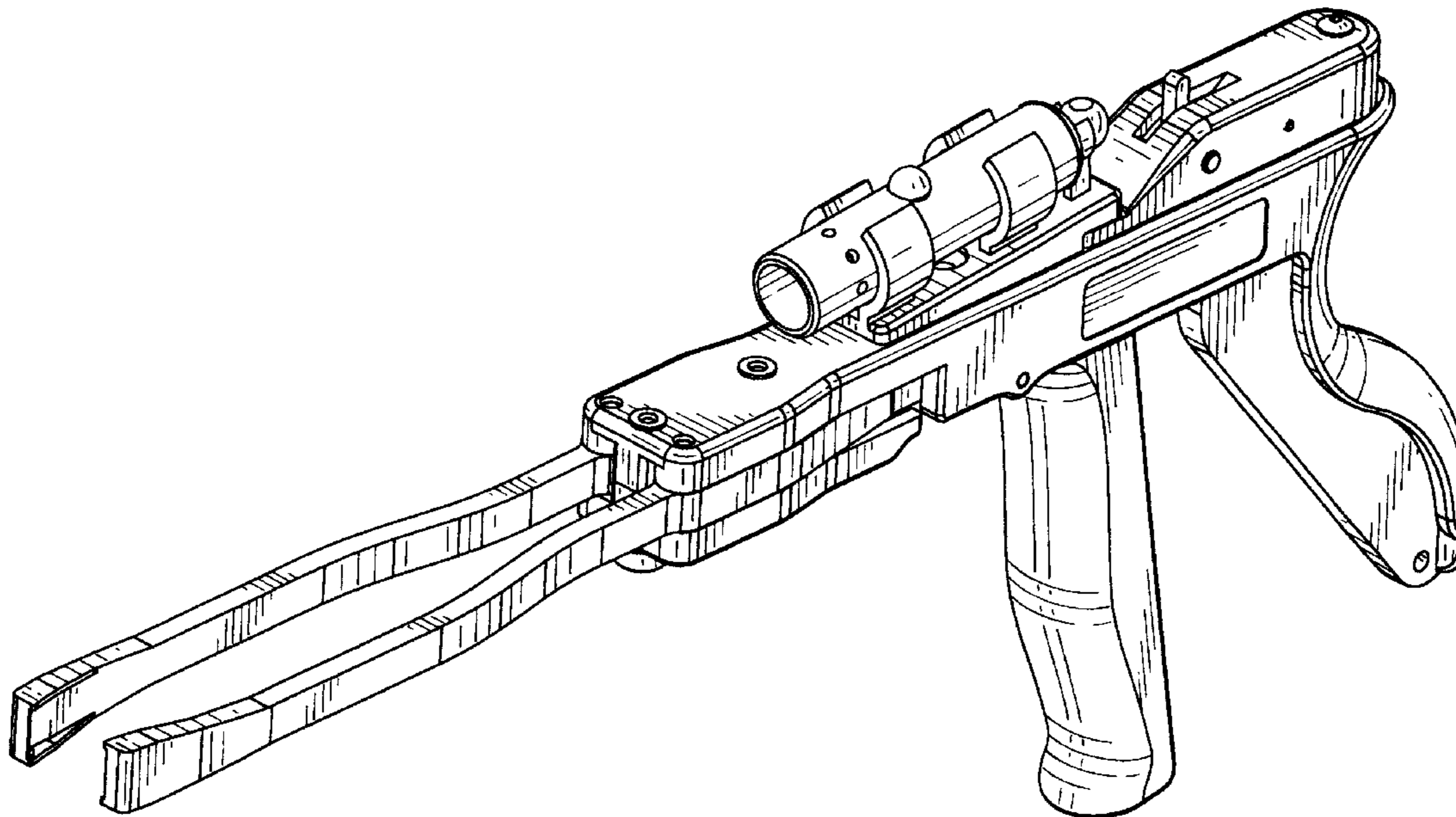
(57) **CLAIM**

The ornamental design for a connector insertion and removal tool, as shown and described.

DESCRIPTION

FIG. 1 is a top right front perspective view of a connector insertion and removal tool showing our new design; FIG. 2 is a top left rear perspective view thereof; FIG. 3 is a bottom front right perspective view thereof; FIG. 4 is a side right view thereof; FIG. 5 is a top view thereof; FIG. 6 is a bottom view thereof; FIG. 7 is a side left view thereof; FIG. 8 is a front view thereof; and, FIG. 9 is a back view thereof.

1 Claim, 6 Drawing Sheets



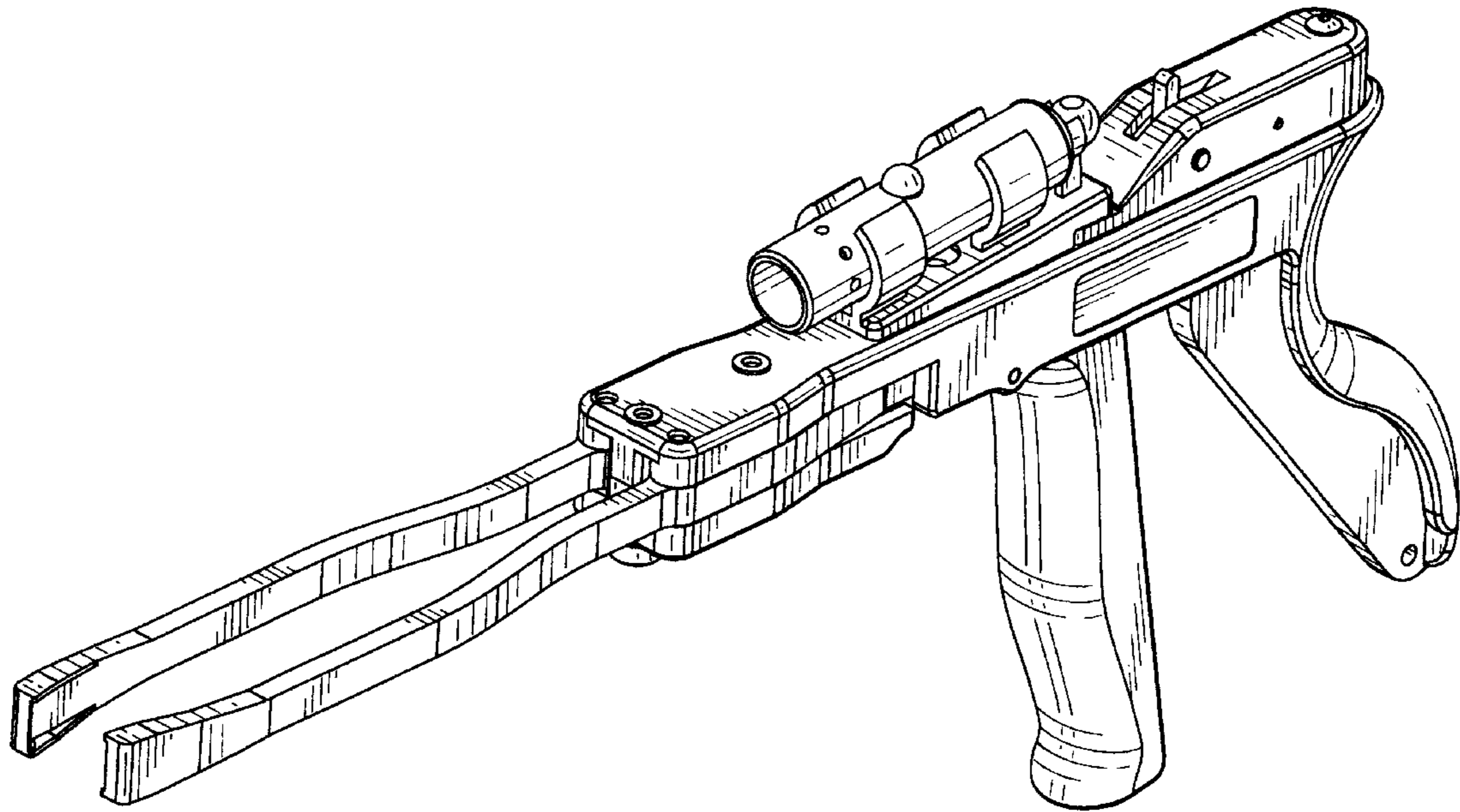


FIG.1

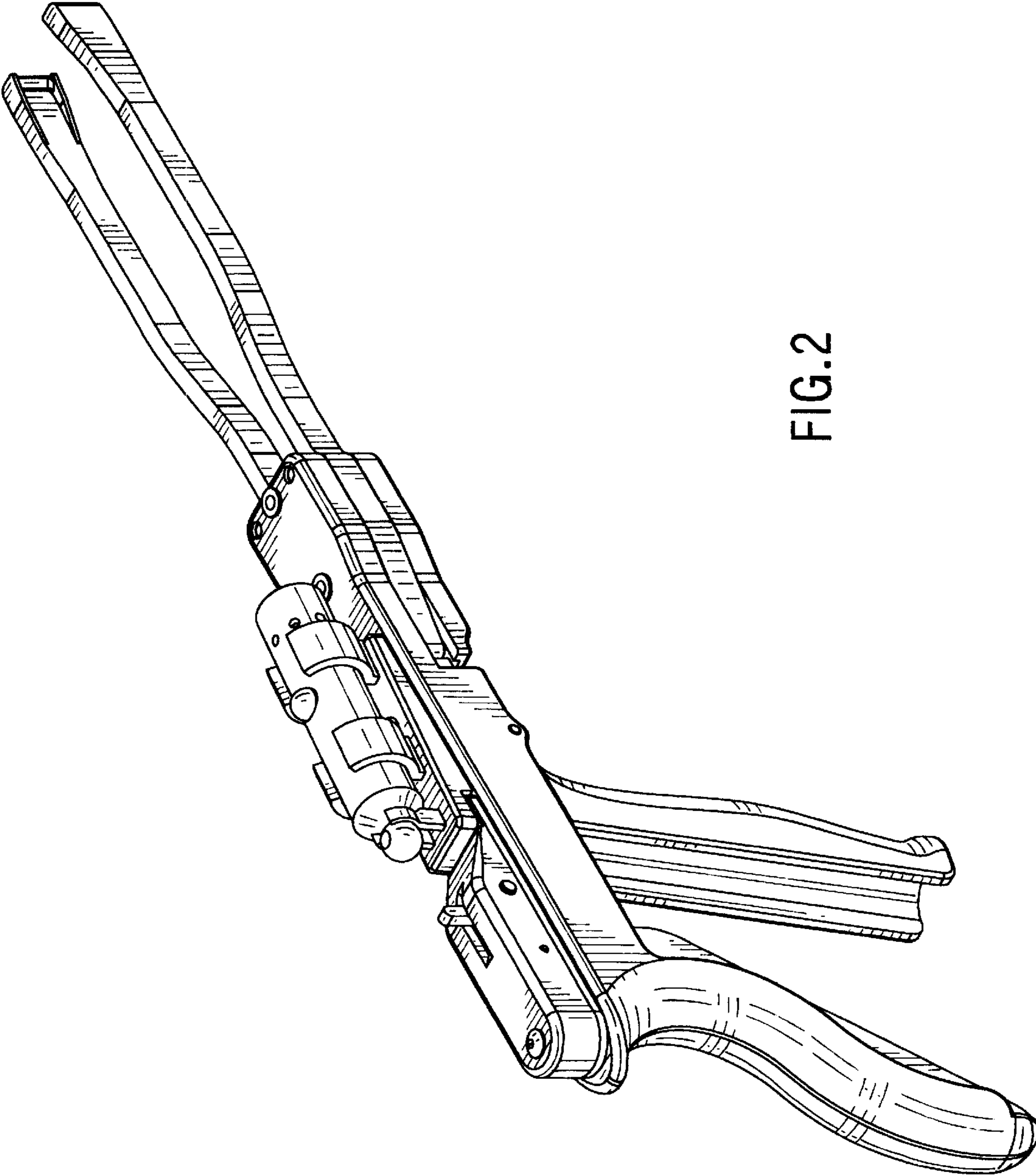


FIG. 2

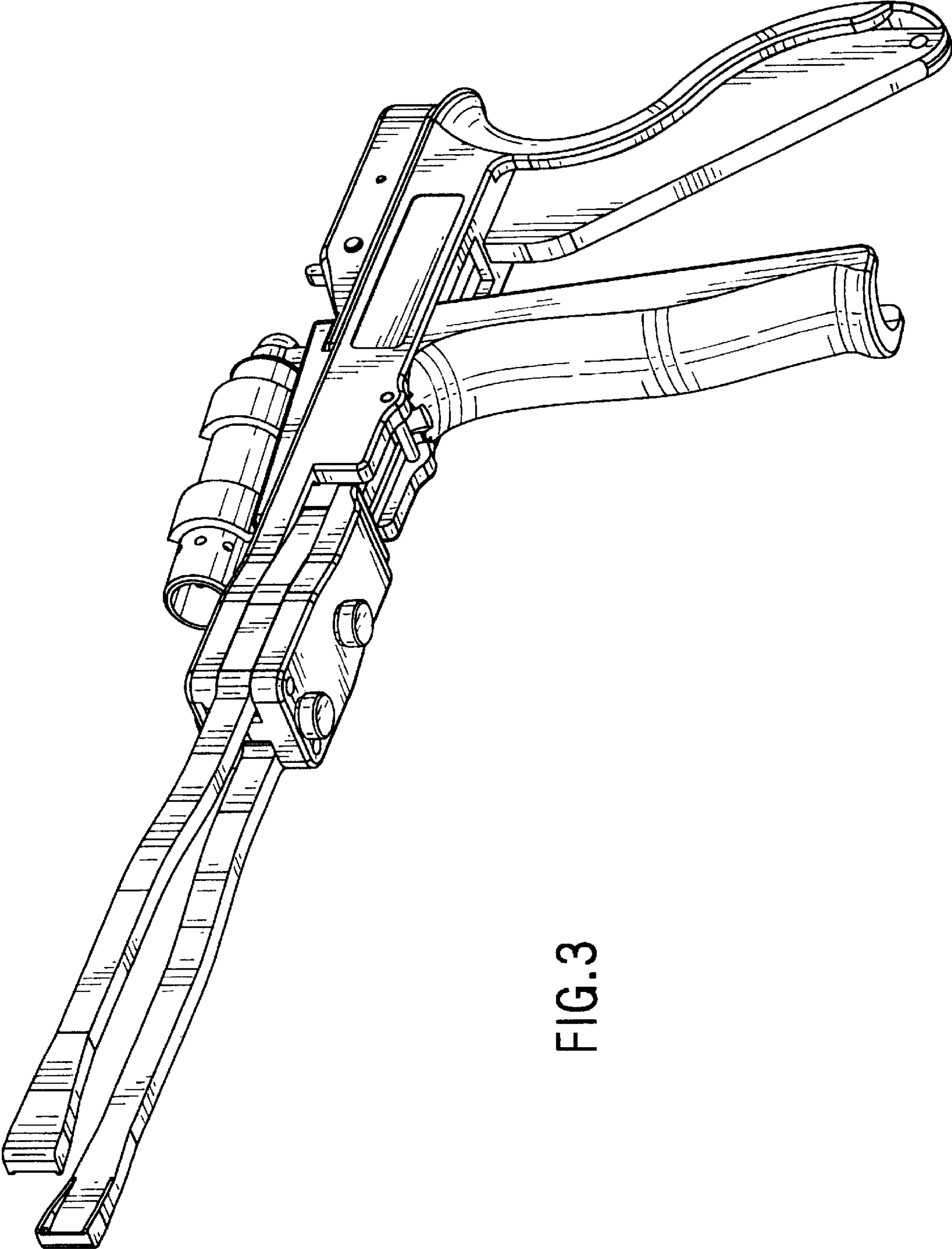


FIG. 3

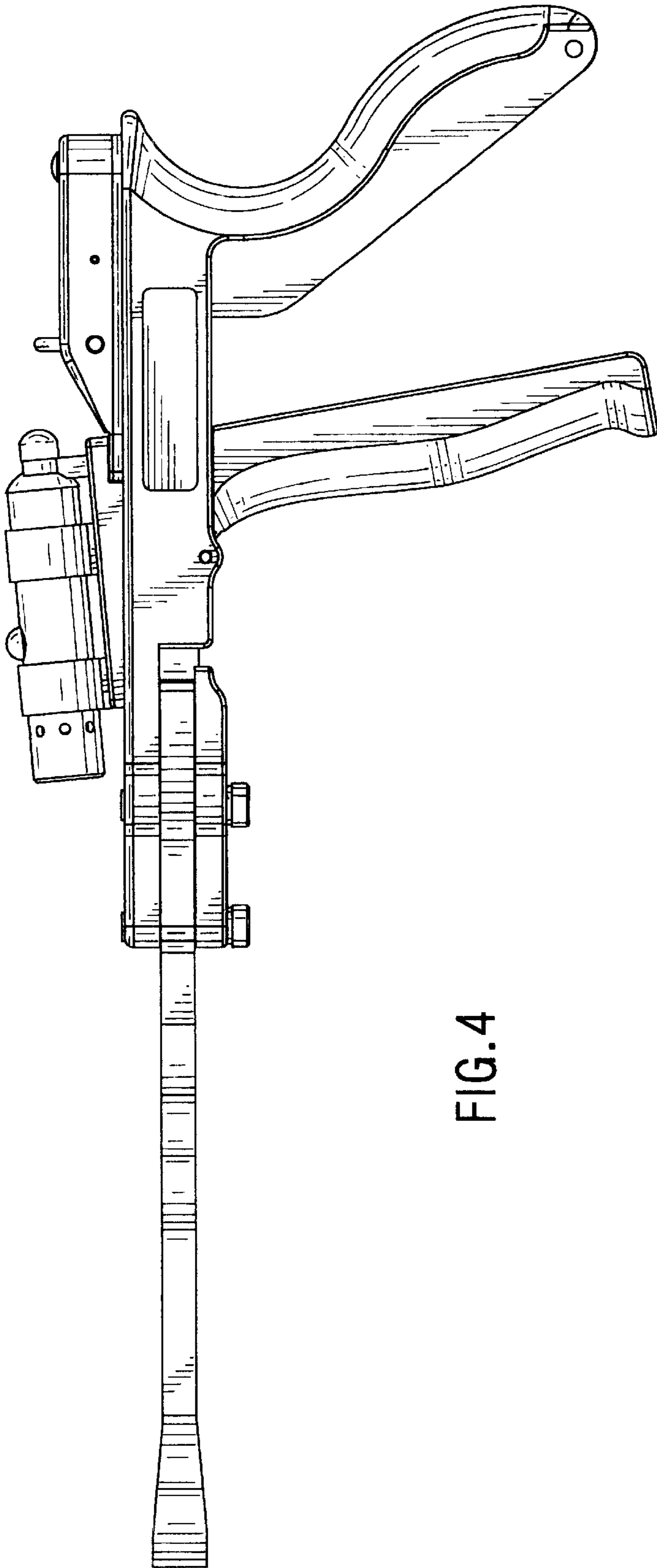


FIG. 4

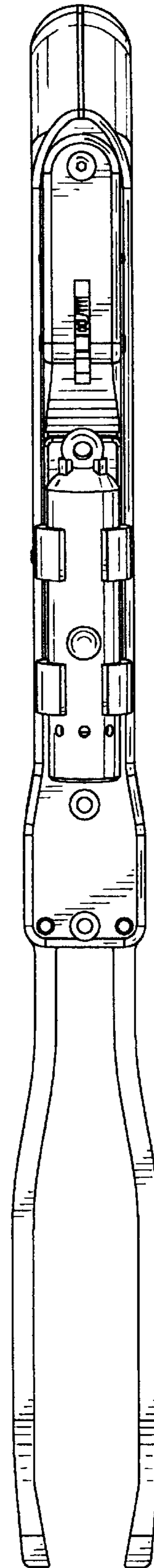


FIG. 5

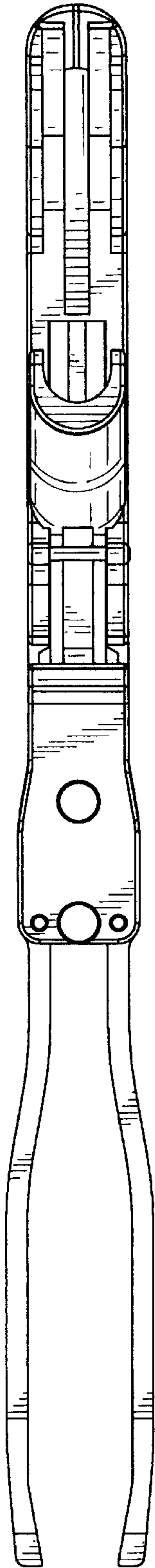


FIG. 6

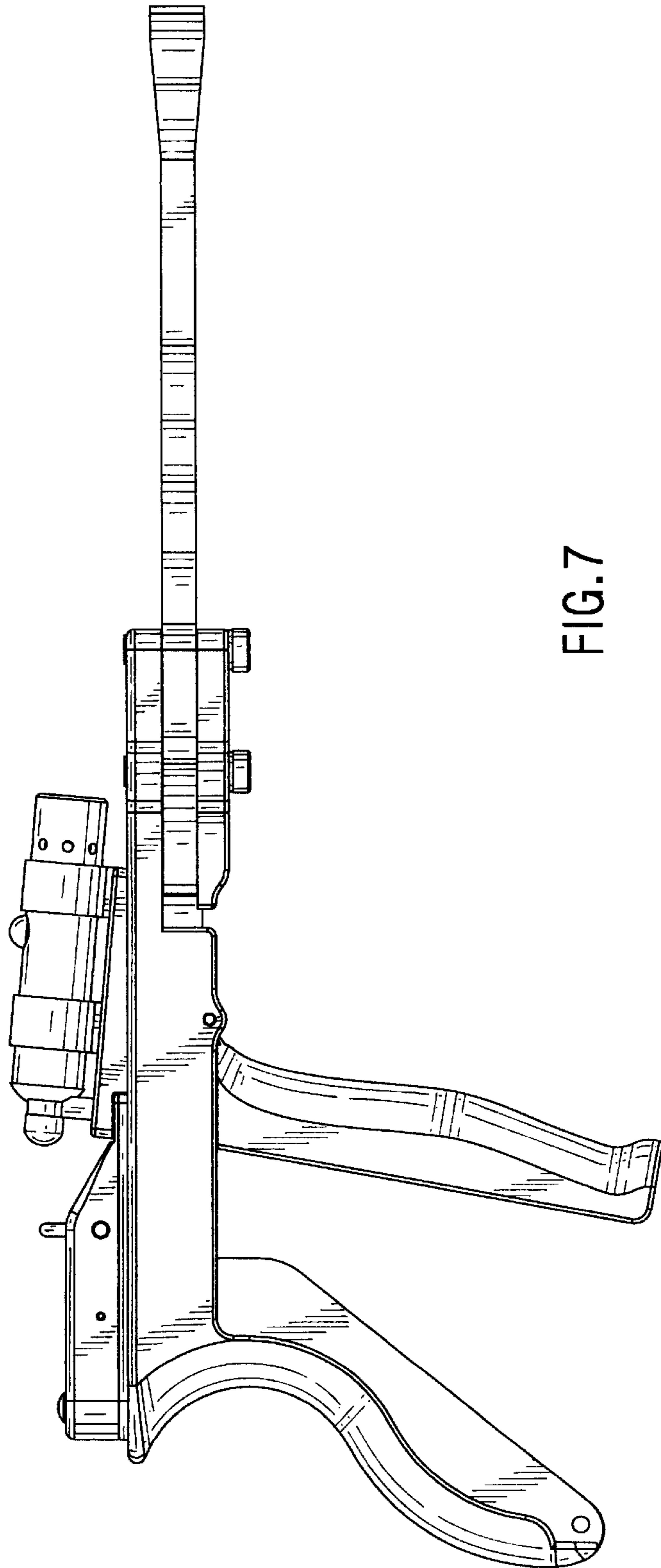


FIG. 7

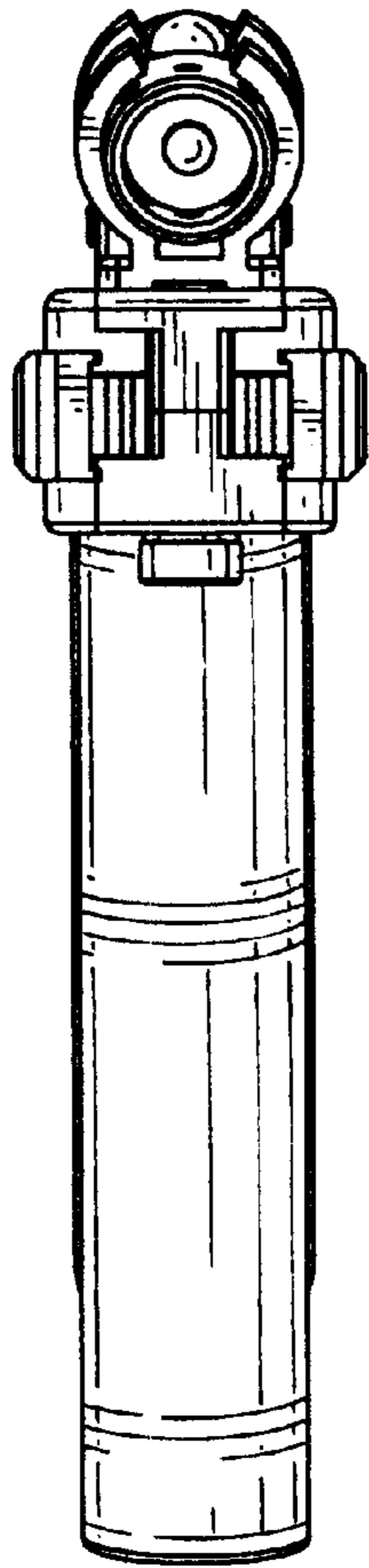


FIG. 8

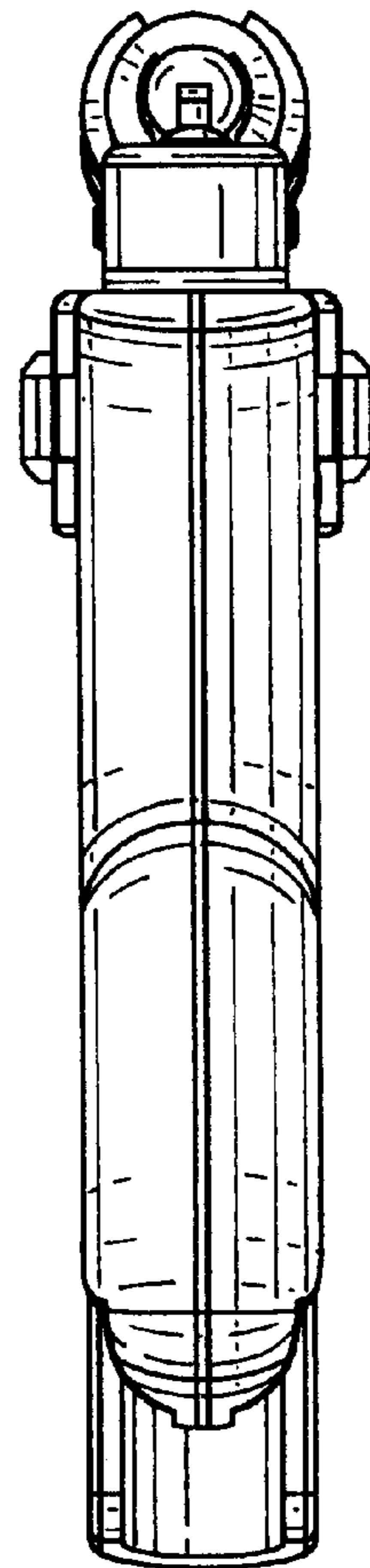


FIG. 9