



US00D541609S

(12) **United States Design Patent**  
**Nuttall et al.**

(10) **Patent No.:** **US D541,609 S**

(45) **Date of Patent:** **\*\* May 1, 2007**

(54) **COMBINATION STAPLER/TAPE DISPENSER**

(75) Inventors: **Michael John Nuttall**, Portola Valley, CA (US); **Adam Reineck**, San Francisco, CA (US)

(73) Assignee: **Thomas Direct Sales, Inc.**, Clifton, NJ (US)

(\*\*) Term: **14 Years**

(21) Appl. No.: **29/222,624**

(22) Filed: **Feb. 1, 2005**

(51) **LOC (8) Cl.** ..... **19-02**

(52) **U.S. Cl.** ..... **D8/50; D19/69**

(58) **Field of Classification Search** ..... D8/49, D8/50; D19/67, 69, 72; 7/160; 227/120, 126, 227/127, 128, 131, 132, 134, 156

See application file for complete search history.

(56) **References Cited**

**U.S. PATENT DOCUMENTS**

4,619,392	A	*	10/1986	Won	.....	227/120
4,727,610	A		3/1988	Lin		
4,925,082	A	*	5/1990	Kim	.....	227/120
D333,957	S	*	3/1993	Chan	.....	D8/50
D390,874	S	*	2/1998	Mandar	.....	D19/69
5,979,734	A	*	11/1999	Chang	.....	227/134
5,992,724	A	*	11/1999	Snyder	.....	227/156
6,209,772	B1	*	4/2001	Wang	.....	227/134
D524,616	S	*	7/2006	Cetera	.....	D8/49

\* cited by examiner

*Primary Examiner*—Adir Aronovich

(74) *Attorney, Agent, or Firm*—Carr & Ferrell LLP

(57) **CLAIM**

The ornamental design for a combination stapler/tape dispenser, as shown and described.

**DESCRIPTION**

FIG. 1 is a perspective view of the combination stapler/tape dispenser showing top, front, and left side of our new design; FIG. 2 is a perspective view of the combination stapler/tape dispenser showing top, rear, and left side of our new design; FIG. 3 is a perspective view of the combination stapler/tape dispenser showing top, rear, and right side of our new design, wherein a storage compartment is opened;

FIG. 4 is a perspective view of the combination stapler/tape dispenser showing the front and left side of our new design, wherein a stapler portion is raised;

FIG. 5 is a left side view of the combination stapler/tape dispenser of FIG. 1, the right side view being a mirror image;

FIG. 6 is a top view of the combination stapler/tape dispenser of FIG. 1;

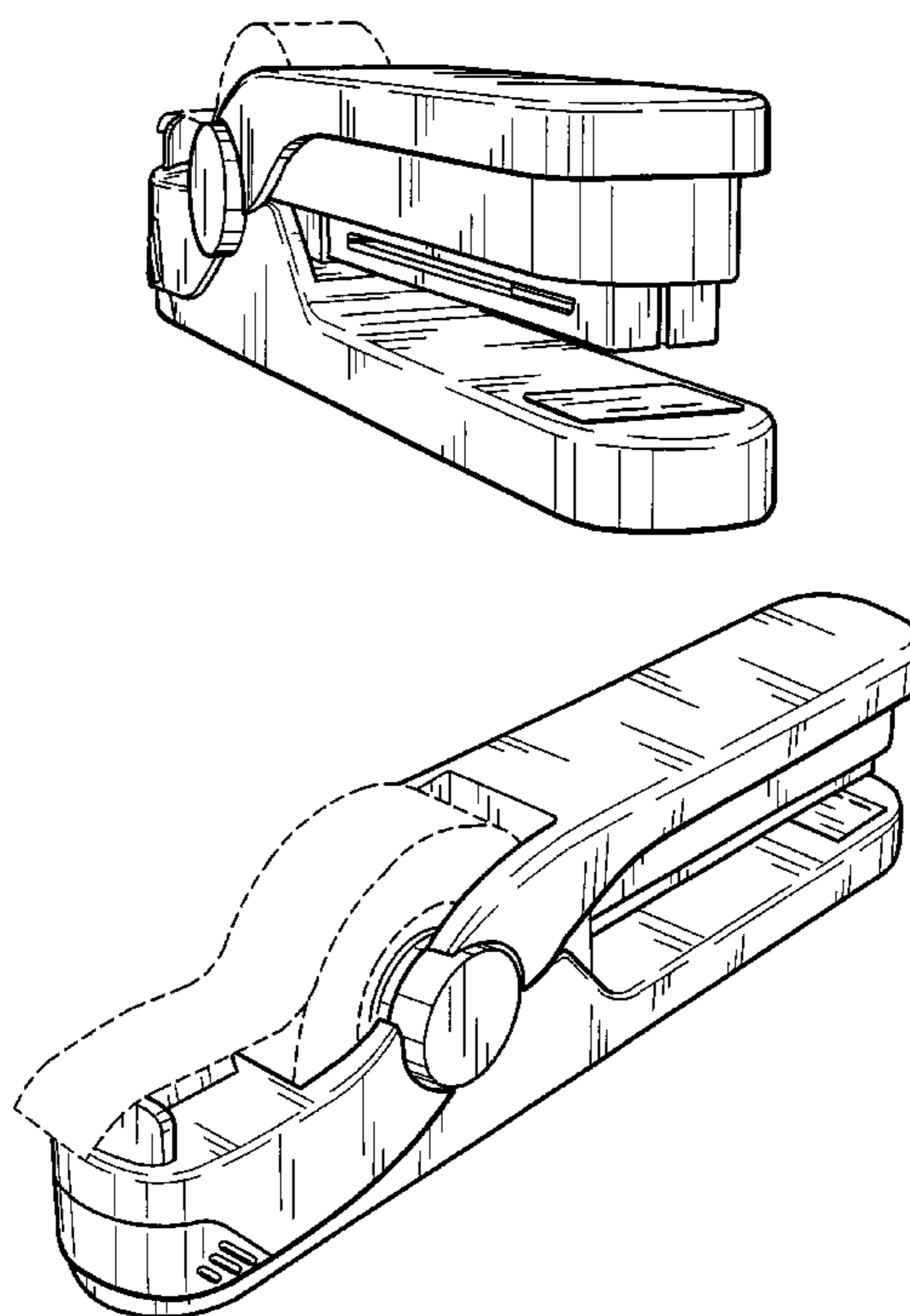
FIG. 7 is a bottom view of the combination stapler/tape dispenser of FIG. 1;

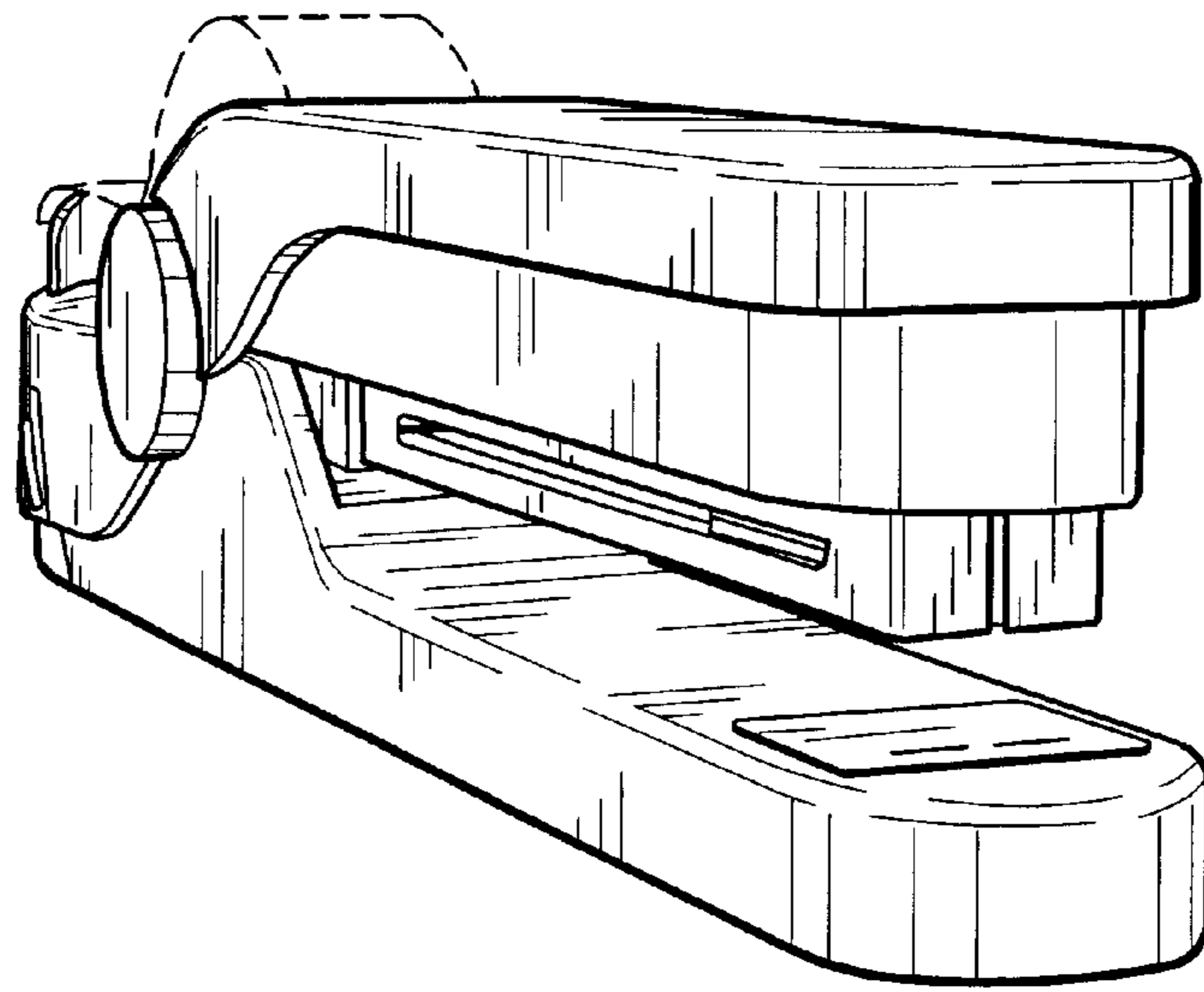
FIG. 8 is a front view of the combination stapler/tape dispenser of FIG. 1; and,

FIG. 9 is a rear view of the combination stapler/tape dispenser of FIG. 1.

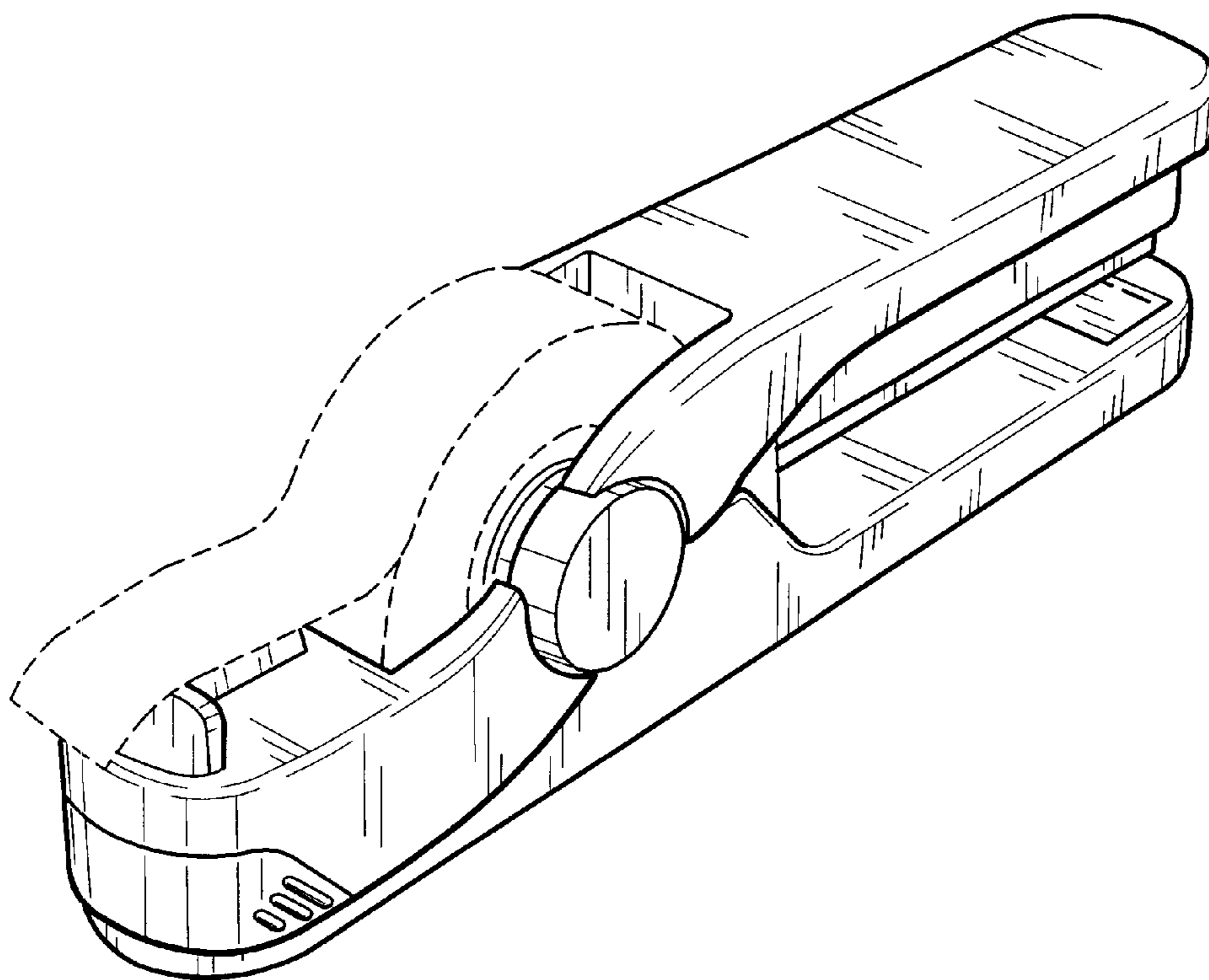
Broken lines showing a roll of tape are for illustrative purposes only and form no part of the claimed design.

**1 Claim, 4 Drawing Sheets**

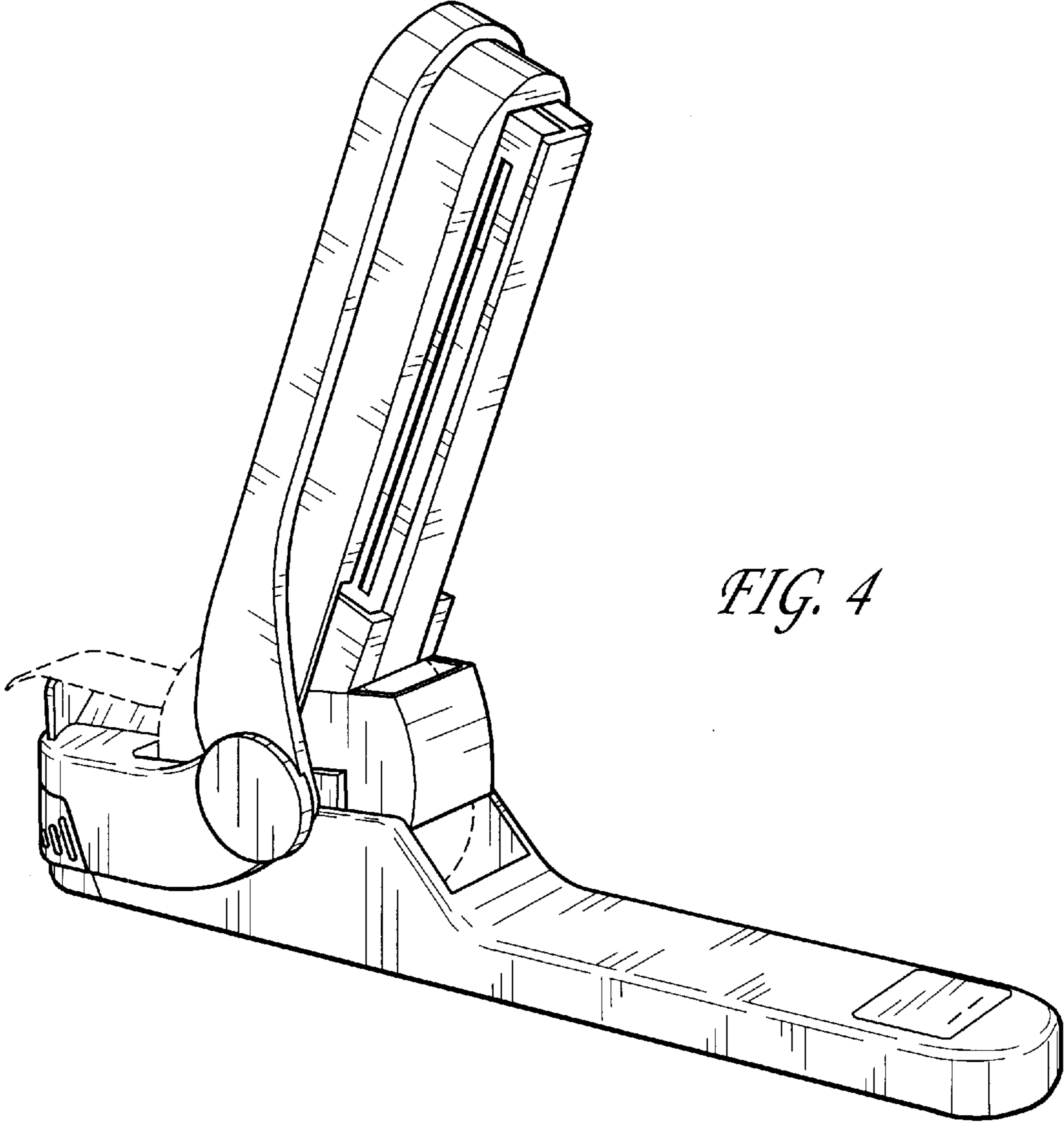
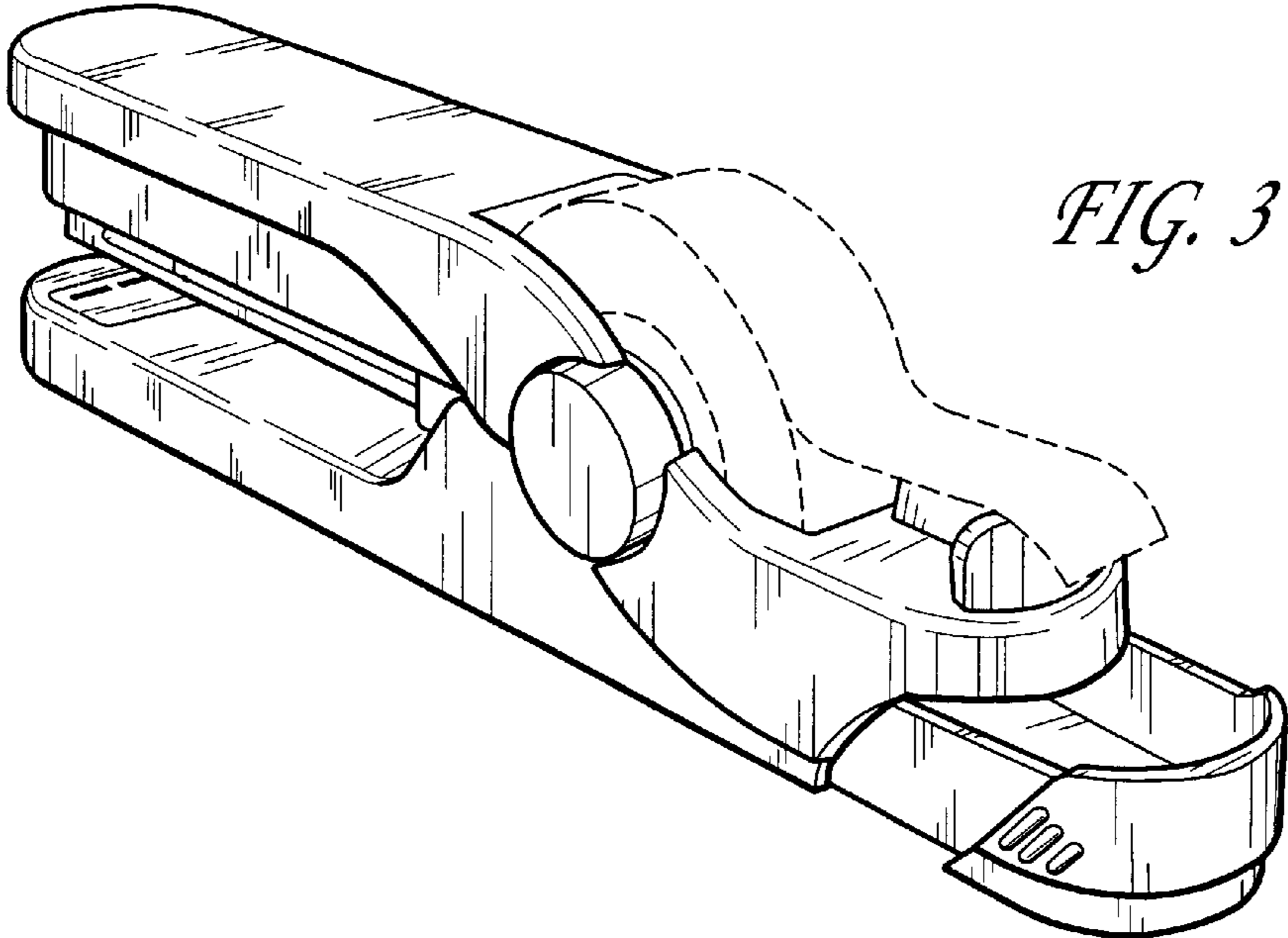


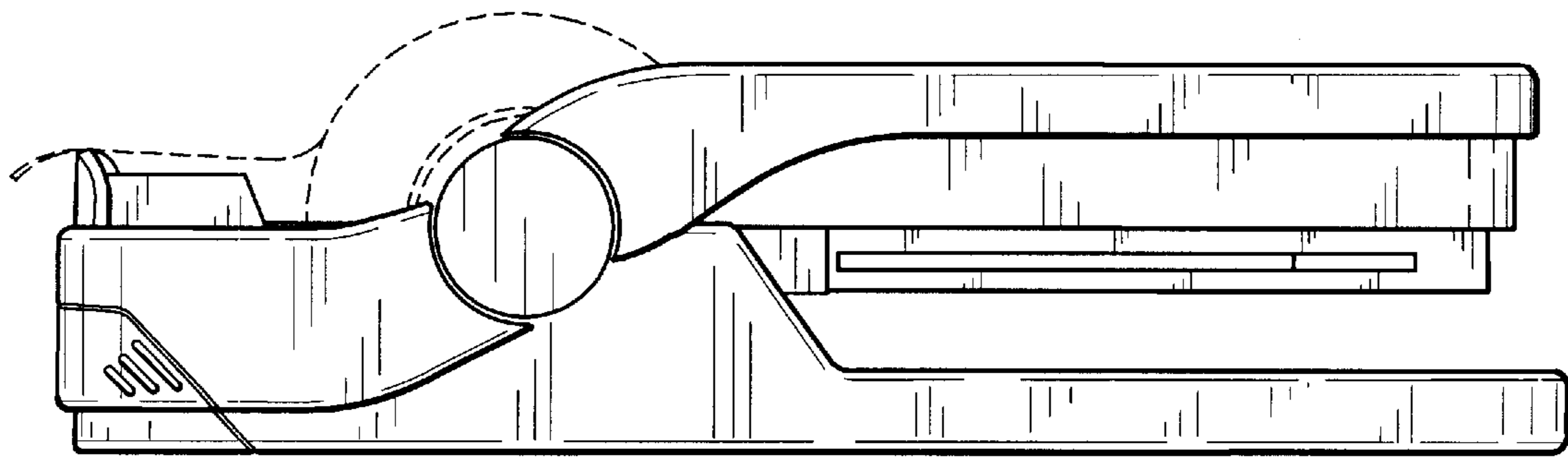


*FIG. 1*

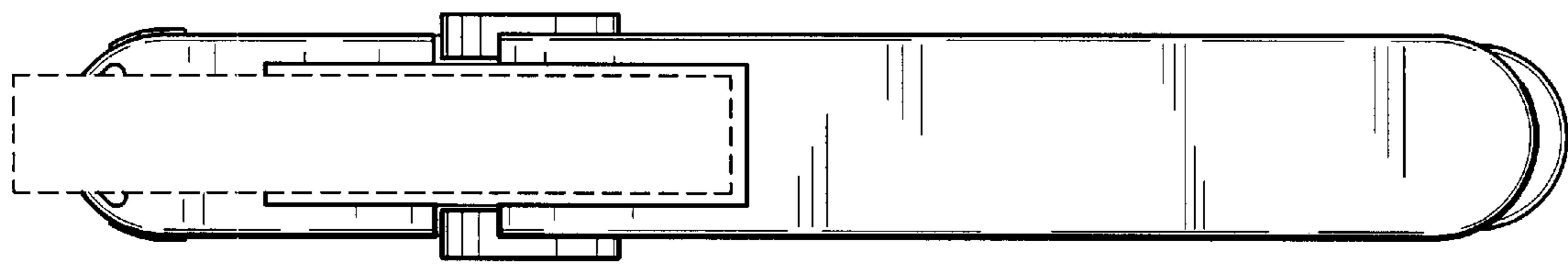


*FIG. 2*

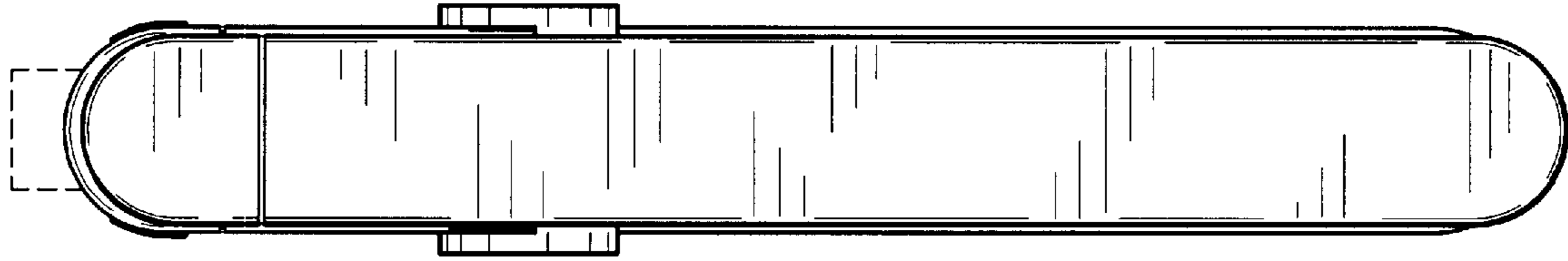




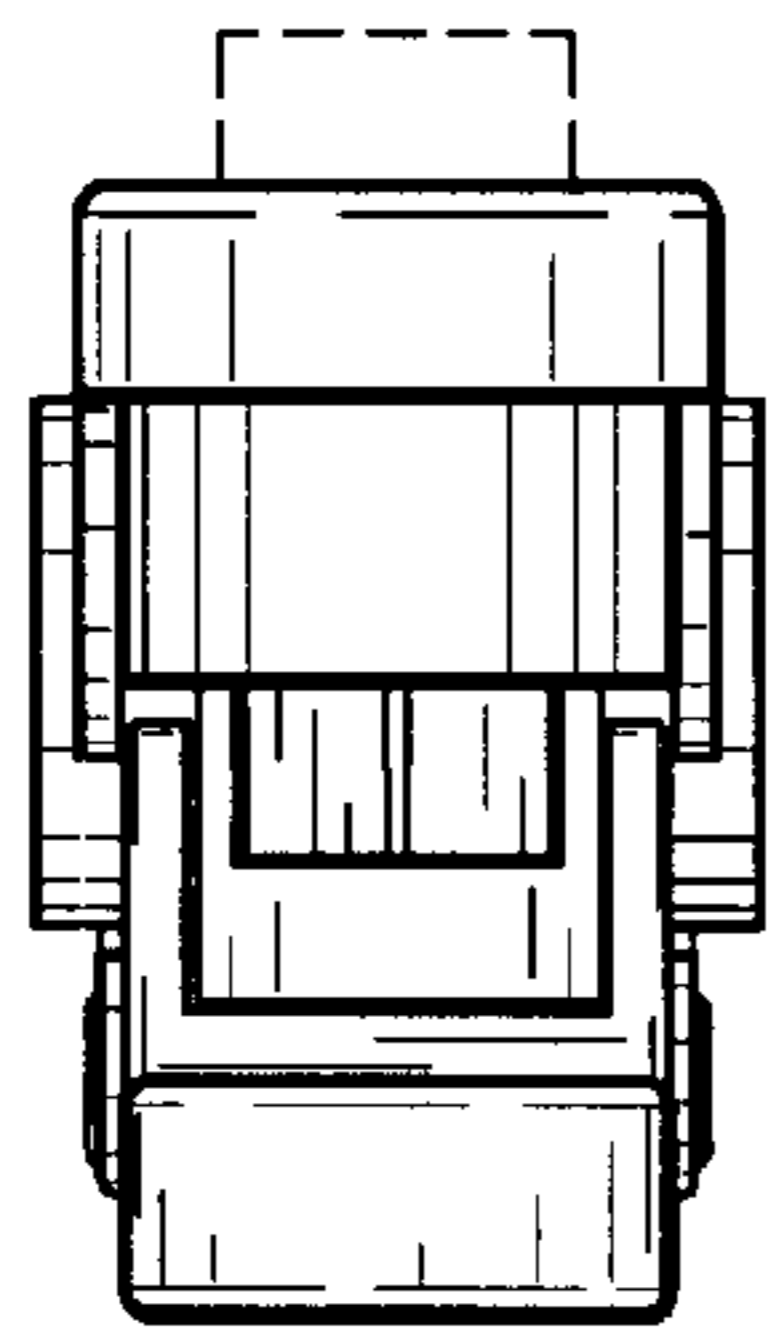
*FIG. 5*



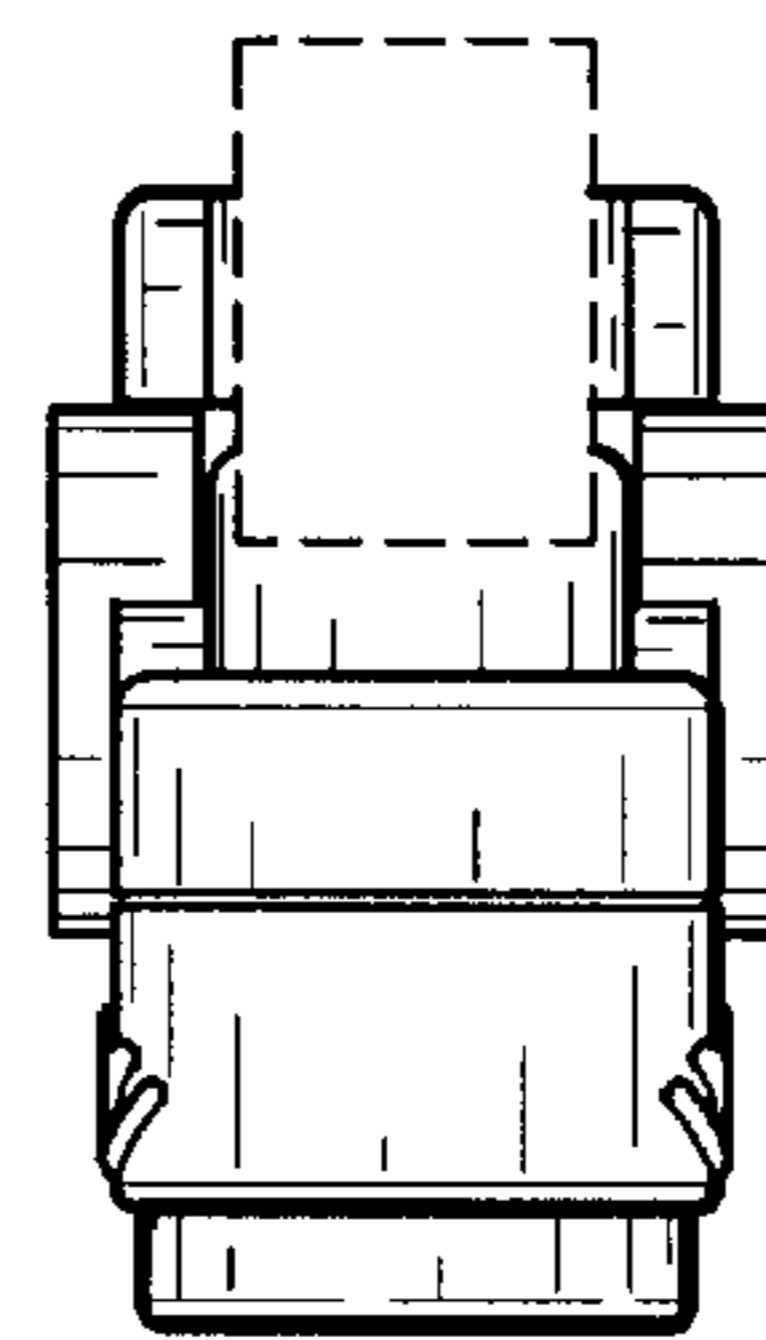
*FIG. 6*



*FIG. 7*



*FIG. 8*



*FIG. 9*