



US00D541608S

(12) **United States Design Patent** (10) **Patent No.:** **US D541,608 S**  
**Nichols et al.** (45) **Date of Patent:** **\*\* May 1, 2007**

(54) **CORKSCREW HANDLE** D419,445 S \* 1/2000 Gort-Barten ..... D9/439

(76) Inventors: **Jennifer Nichols**, 2700 Osborne Rd., NE., Atlanta, GA (US) 30319; **Shirley Wang**, 3620 Bridge Mill Ct., Norcross, GA (US) 30092

(\*\*) Term: **14 Years**

(21) Appl. No.: **29/231,857**

(22) Filed: **Jun. 10, 2005**

(51) **LOC (8) Cl.** ..... **07-06**

(52) **U.S. Cl.** ..... **D8/42; D9/441**

(58) **Field of Classification Search** ..... D8/16-19, D8/21, 27, 33-43, 88, 105; D7/665, 666, D7/680; D9/439, 441, 629; 7/113, 151-156; 81/3.07, 3.09, 3.27, 3.4, 3.55

See application file for complete search history.

(56) **References Cited**

**U.S. PATENT DOCUMENTS**

D21,350 S \* 2/1892 Rosenstein ..... D3/14  
D164,929 S \* 10/1951 Hobe ..... D9/629  
D170,426 S \* 9/1953 Mullen ..... D9/629  
D252,590 S \* 8/1979 Peretti et al. .... D9/629  
D280,294 S \* 8/1985 Resnick ..... D9/441  
D407,207 S \* 3/1999 Hunter ..... D3/12

**OTHER PUBLICATIONS**

Bowtie Corkscrews; Collectable Corkscrews; pp. 344 & 345; Frédérique Crestin-Bilet; © 2001; Flammarion Inc.\*

\* cited by examiner

*Primary Examiner*—Robert M. Spear

*Assistant Examiner*—Garth Rademaker

(74) *Attorney, Agent, or Firm*—King & Spalding LLP

(57) **CLAIM**

The ornamental design for a corkscrew handle, as shown and described.

**DESCRIPTION**

FIG. 1 is a perspective view of our new design for a corkscrew handle;

FIG. 2 is a top plan view thereof;

FIG. 3 is a bottom plan view thereof;

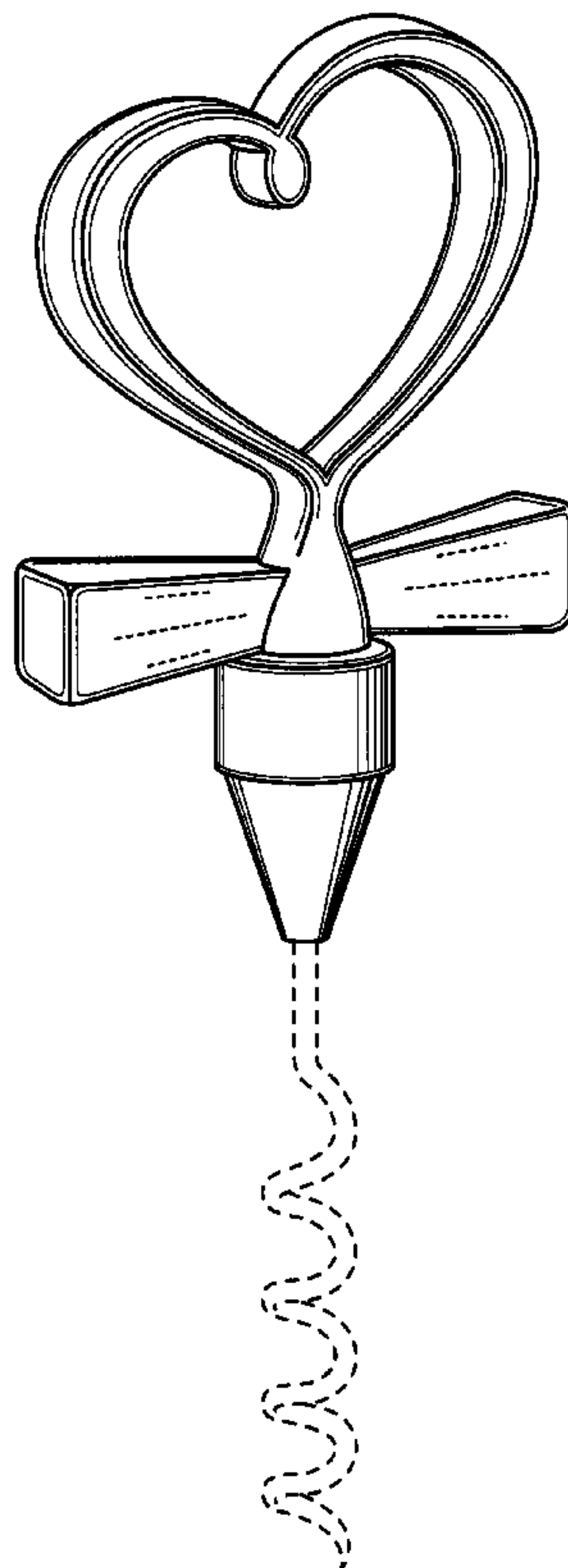
FIG. 4 is a left side elevation view thereof;

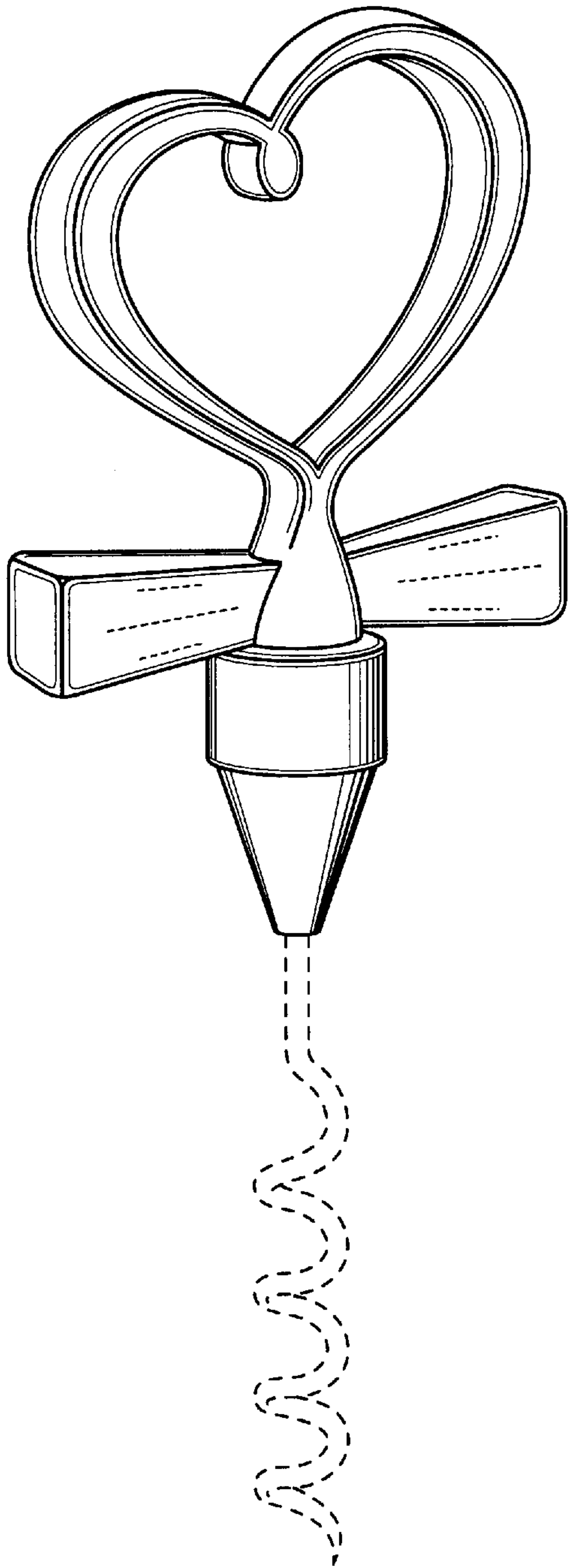
FIG. 5 is a front elevation view thereof, the rear elevation view being a mirror image thereof; and,

FIG. 6 is a right side elevation view thereof.

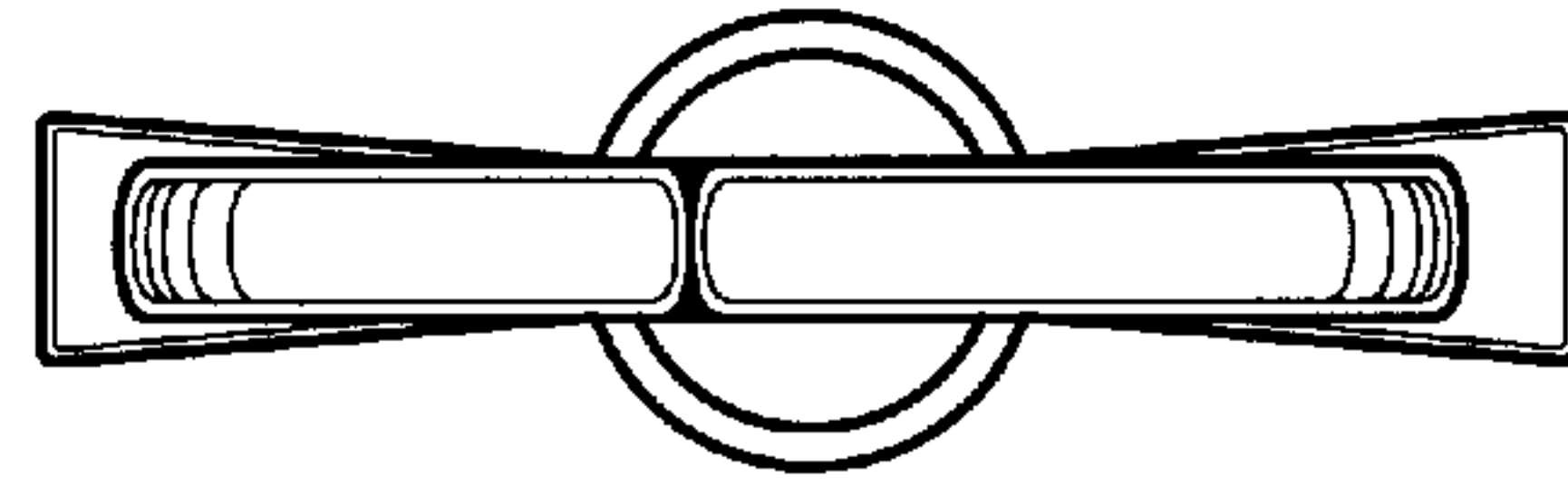
The broken line showing is for illustrative purposes only and forms no part of the claimed design.

**1 Claim, 2 Drawing Sheets**

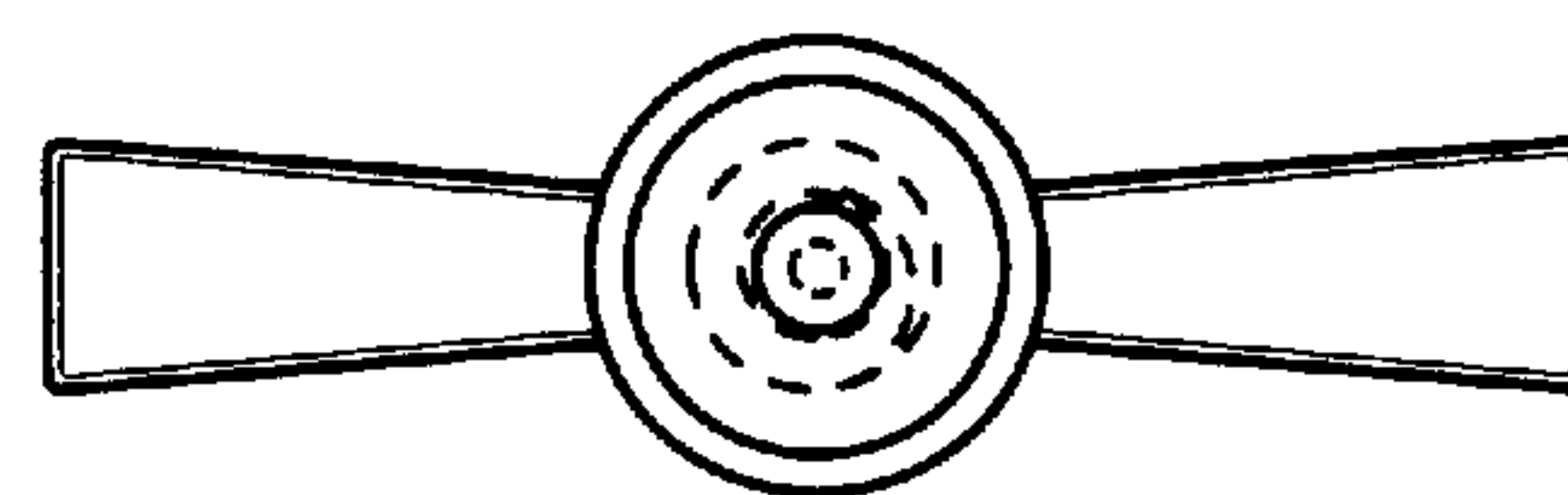




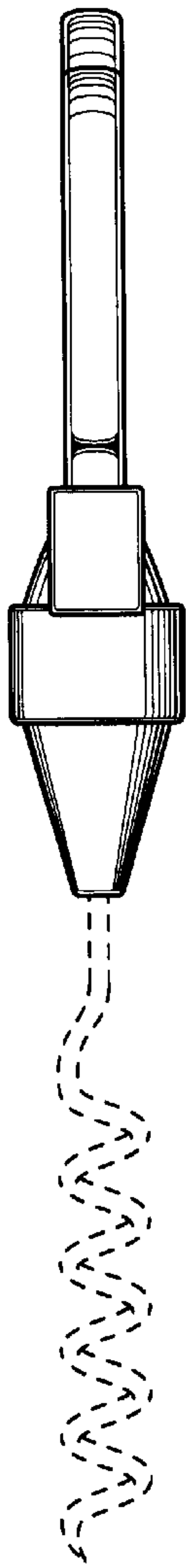
**FIG 1**



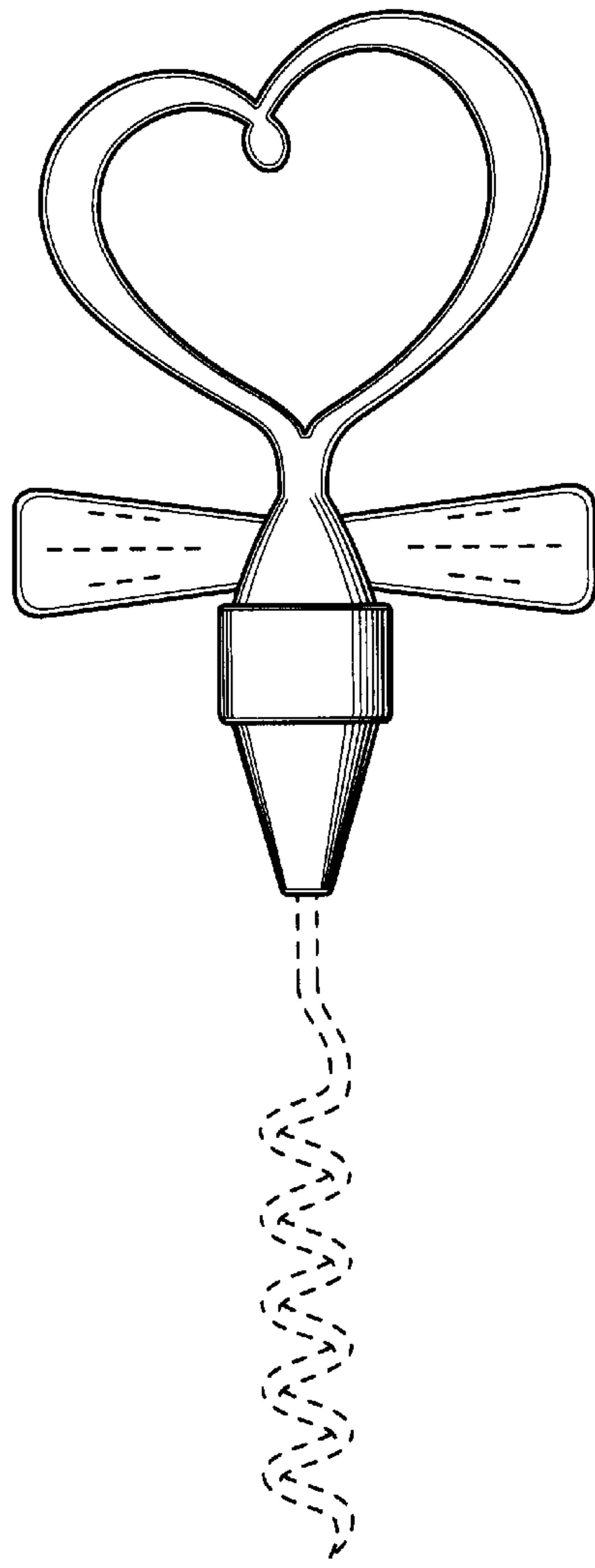
**FIG 2**



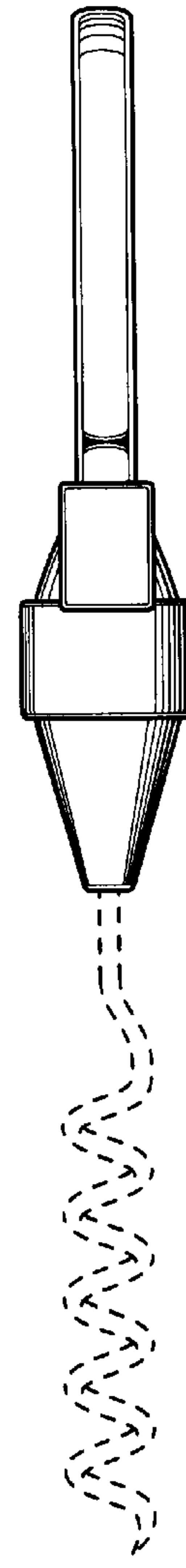
**FIG 3**



**FIG 4**



**FIG 5**



**FIG 6**