



US00D541606S

(12) **United States Design Patent**
Griffin et al.

(10) **Patent No.:** **US D541,606 S**

(45) **Date of Patent:** **** May 1, 2007**

(54) **COMBINED SPRINKLER HEAD GRASS TRIMMER AND CLEANER**

(76) Inventors: **Henry W. Griffin**, 3036 Ocean Port Dr., Las Vegas, NV (US) 89117;
Benjamin F. Lewis, 3423 Mariner Beach Dr., Las Vegas, NV (US) 89129

(**) **Term:** **14 Years**

(21) **Appl. No.:** **29/226,621**

(22) **Filed:** **Mar. 31, 2005**

(51) **LOC (8) Cl.** **08-01**

(52) **U.S. Cl.** **D8/1**

(58) **Field of Classification Search** D8/1,
D8/6, 7; 47/47; 248/156; 172/21, 22
See application file for complete search history.

(56) **References Cited**

U.S. PATENT DOCUMENTS

3,565,179	A	2/1971	Paliani	
4,095,744	A *	6/1978	Villelli	239/1
D251,698	S *	5/1979	Bartholomew, Jr.	D8/5
4,187,598	A	2/1980	Pittinger, Jr.	
4,295,324	A	10/1981	Frantello et al.	
4,974,682	A *	12/1990	Hoffman	172/22
5,140,249	A	8/1992	Linder et al.	
D342,651	S *	12/1993	Manos	D8/1
5,461,788	A	10/1995	Taylor	

D389,705	S *	1/1998	Puett	D8/1
D411,944	S *	7/1999	Lanz	D8/7
5,938,290	A *	8/1999	Mikeska	30/300
D423,889	S *	5/2000	Heffner	D8/1
6,374,758	B1 *	4/2002	Mickle et al.	111/106
6,386,294	B1 *	5/2002	Best	172/22
6,412,568	B1 *	7/2002	Thede	172/13

* cited by examiner

Primary Examiner—Holly H. Baynham

Assistant Examiner—Sheryl Friedman

(74) *Attorney, Agent, or Firm*—Donald R. Schoonover

(57) **CLAIM**

We claim the ornamental design for a combined sprinkler head grass trimmer and cleaner, as shown and described.

DESCRIPTION

FIG. 1 is a perspective view of a combined sprinkler head grass trimmer and cleaner showing our new design;

FIG. 2 is a side elevational view thereof;

FIG. 3 is a front elevational view thereof;

FIG. 4 is an elevational view of the opposing side thereof;

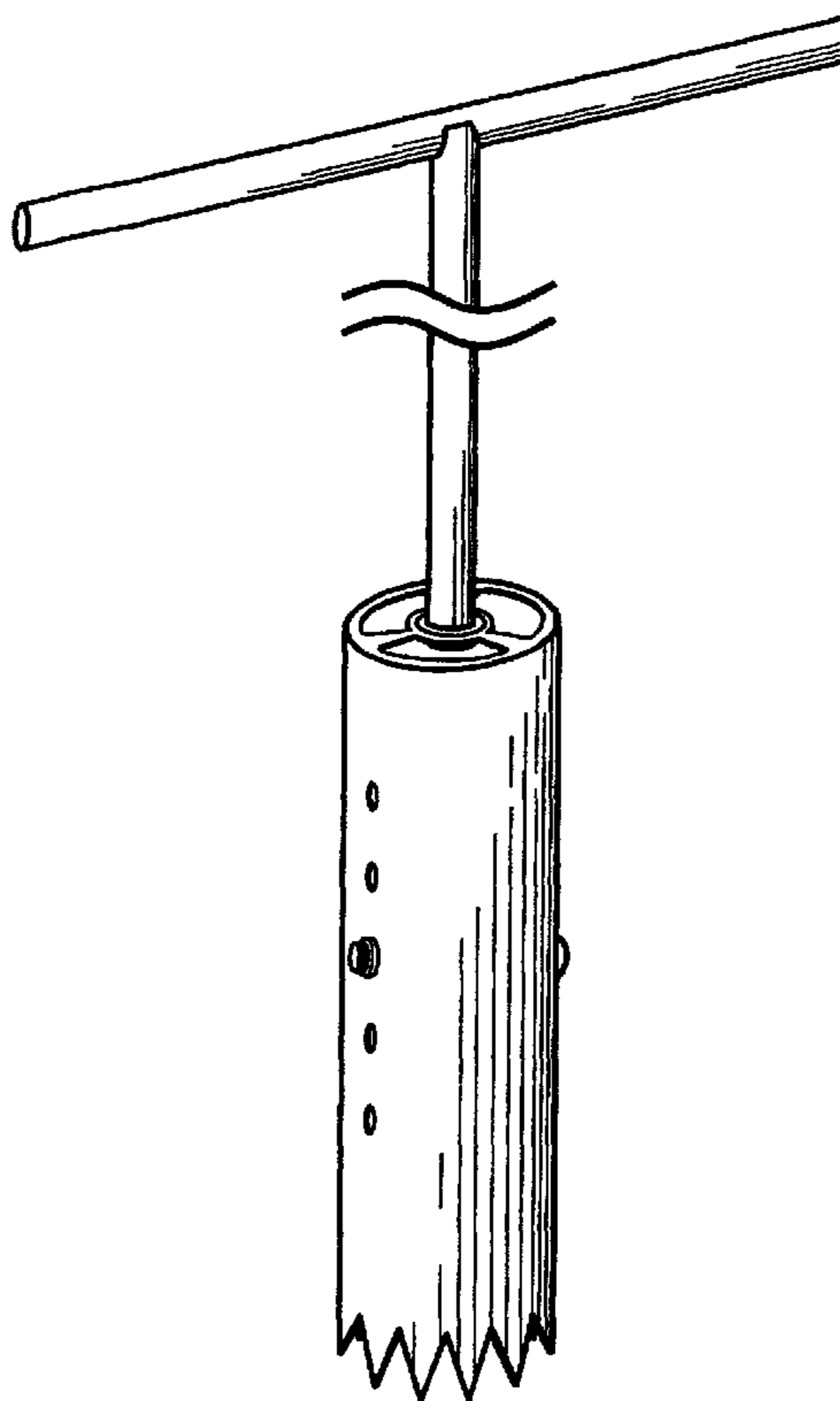
FIG. 5 is a rear elevational view thereof;

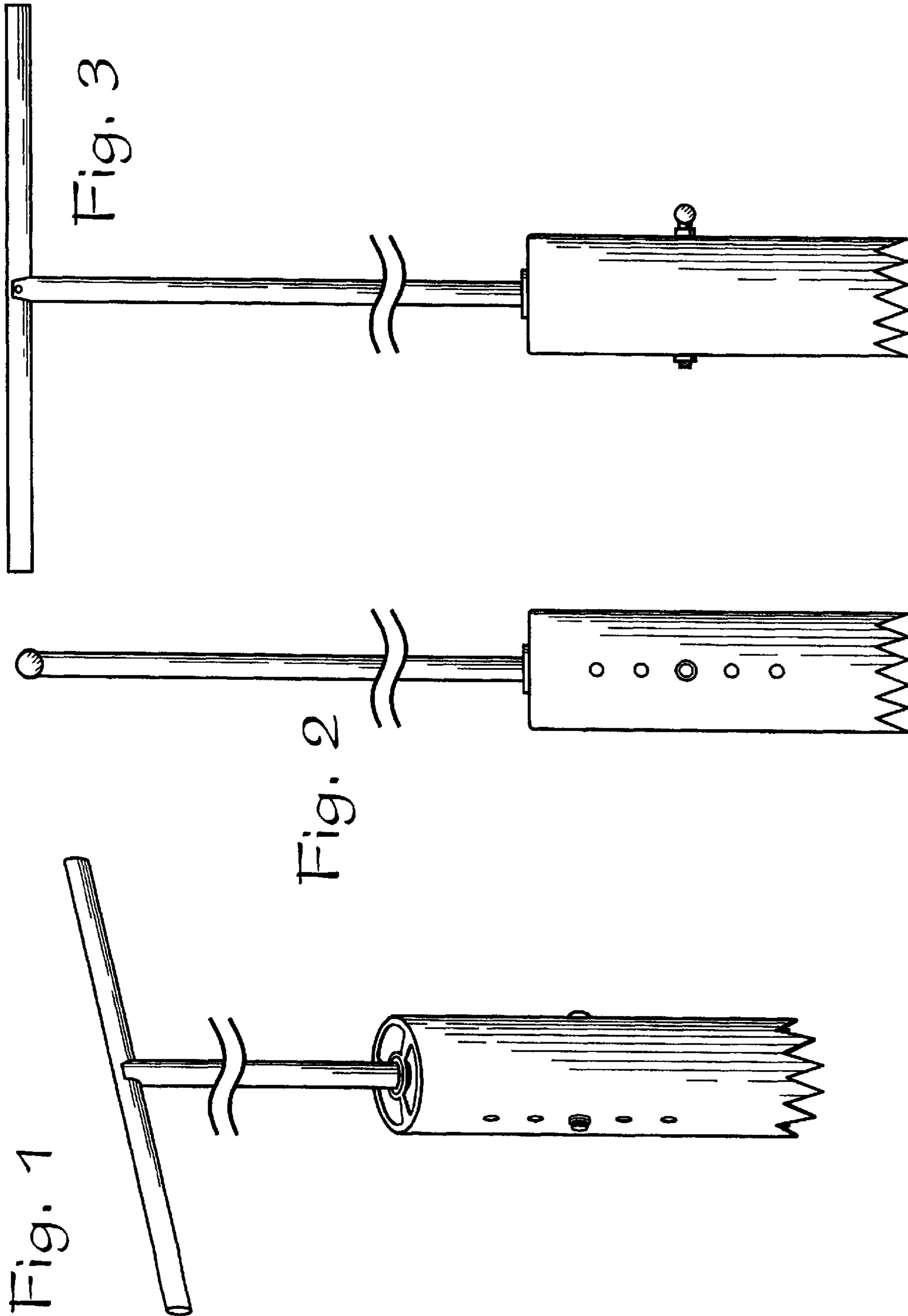
FIG. 6 is a top plan view thereof; and,

FIG. 7 is a bottom plan view thereof.

The drawings of FIGS. 1–5 are illustrated as broken away to show indeterminate length

1 Claim, 2 Drawing Sheets





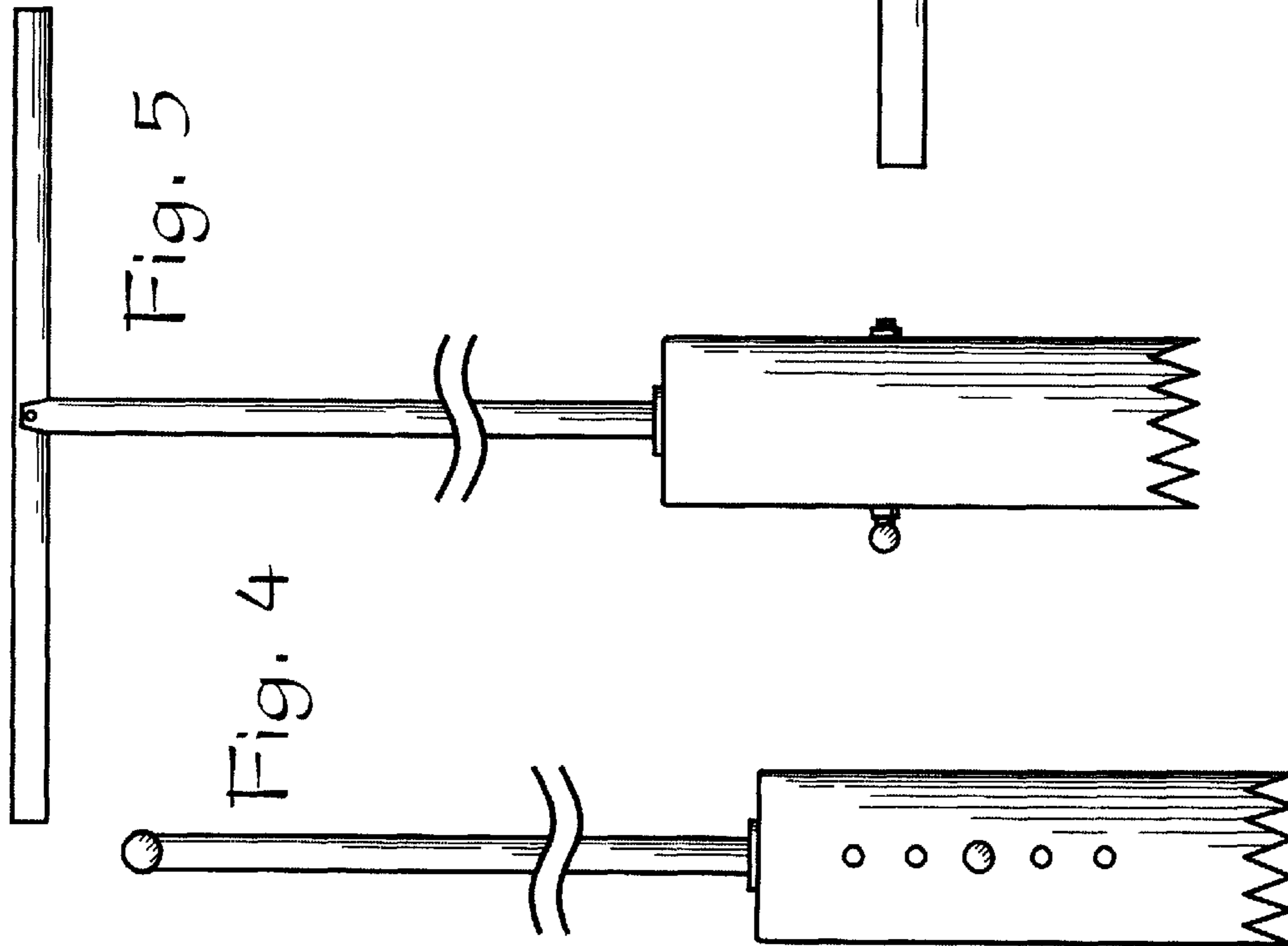


Fig. 5

Fig. 4

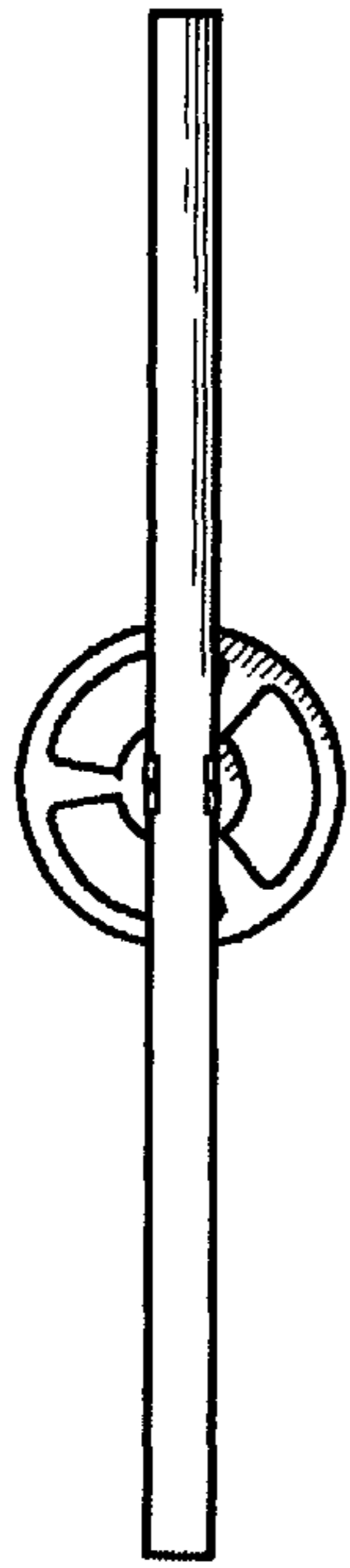


Fig. 6

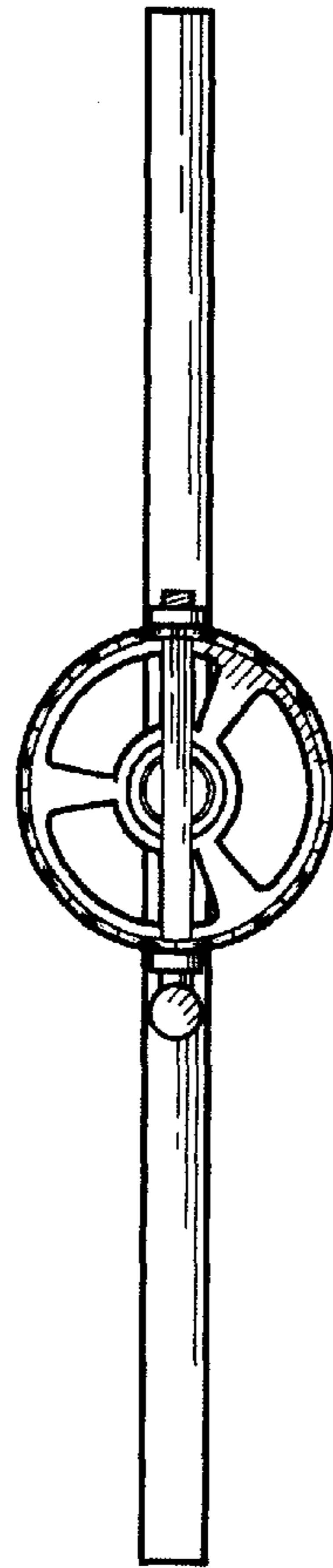


Fig. 7