

US00D541605S

(12) **United States Design Patent**
Chen

(10) **Patent No.:** **US D541,605 S**

(45) **Date of Patent:** **** May 1, 2007**

(54) **WINE RACK**

(75) Inventor: **Chun-Liang Chen**, Changhua County (TW)

(73) Assignee: **Young Max Enterprises Co., Ltd.**, Changhua County (TW)

(**) Term: **14 Years**

(21) Appl. No.: **29/258,387**

(22) Filed: **Apr. 21, 2006**

(51) **LOC (8) Cl.** **06-04**

(52) **U.S. Cl.** **D7/704**

(58) **Field of Classification Search** D7/701-708,
D7/600.1-600.4; D6/458, 462-465, 512,
D6/515, 566; 211/74, 75, 181.1

See application file for complete search history.

(56) **References Cited**

U.S. PATENT DOCUMENTS

3,900,109 A * 8/1975 Peterson 211/70.6

4,793,097 A * 12/1988 Whitcomb 47/86
4,944,415 A * 7/1990 Orbach 211/75
D364,074 S * 11/1995 Yeh D7/637
6,523,705 B2 * 2/2003 Henderson et al. 211/74

* cited by examiner

Primary Examiner—Terry A. Wallace

(74) *Attorney, Agent, or Firm*—Bacon & Thomas, PLLC

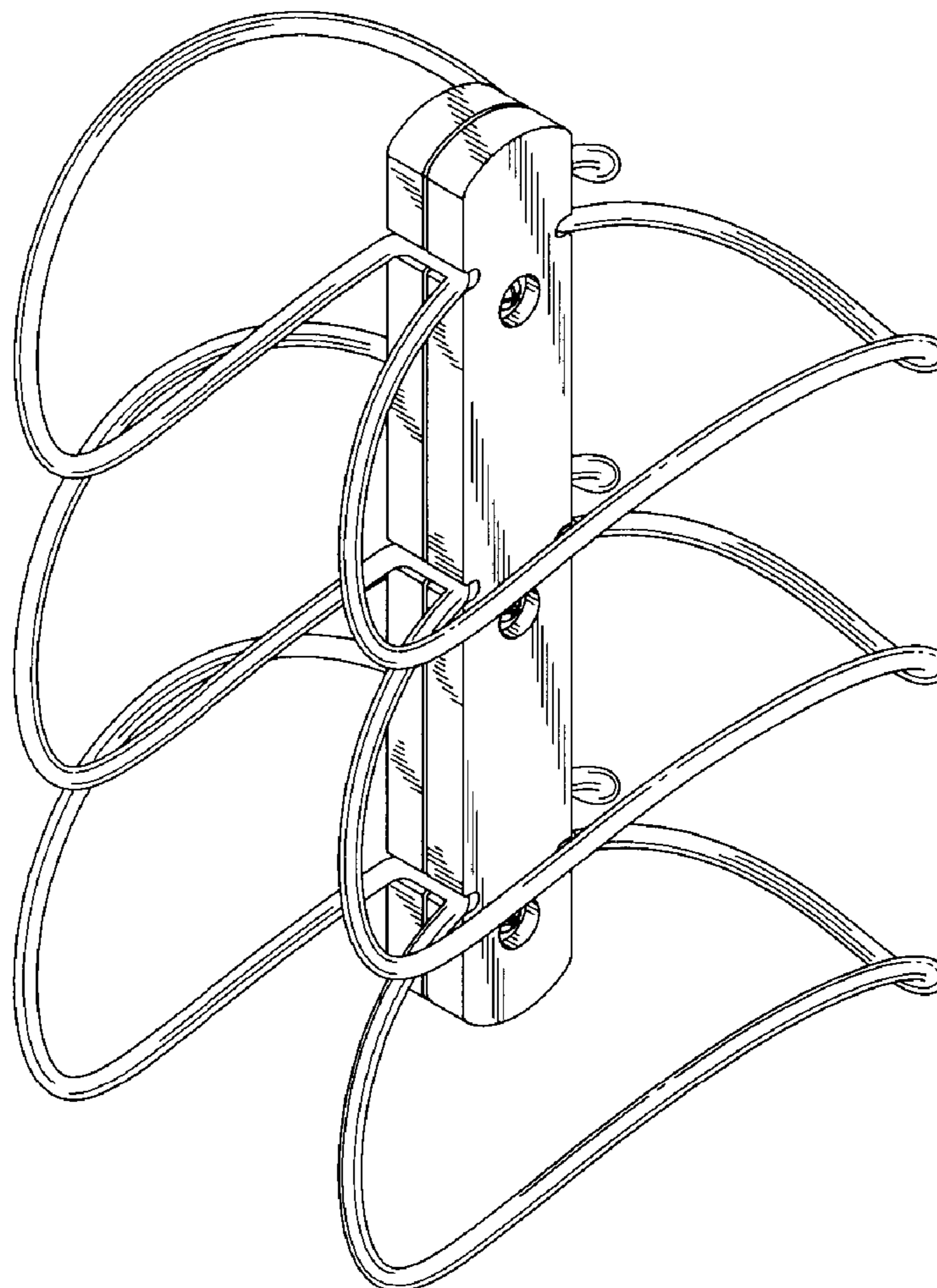
(57) **CLAIM**

The ornamental design for a wine rack, as shown.

DESCRIPTION

FIG. 1 shows a perspective view of the present design.
FIG. 2 shows a right side elevational view of the present design.
FIG. 3 shows a top plan view of the present design.
FIG. 4 shows a front elevational view of the present design.
FIG. 5 shows a bottom plan view of the present design.
FIG. 6 shows a left side elevational view of the present design; and,
FIG. 7 shows a rear elevational view of the present design.

1 Claim, 4 Drawing Sheets



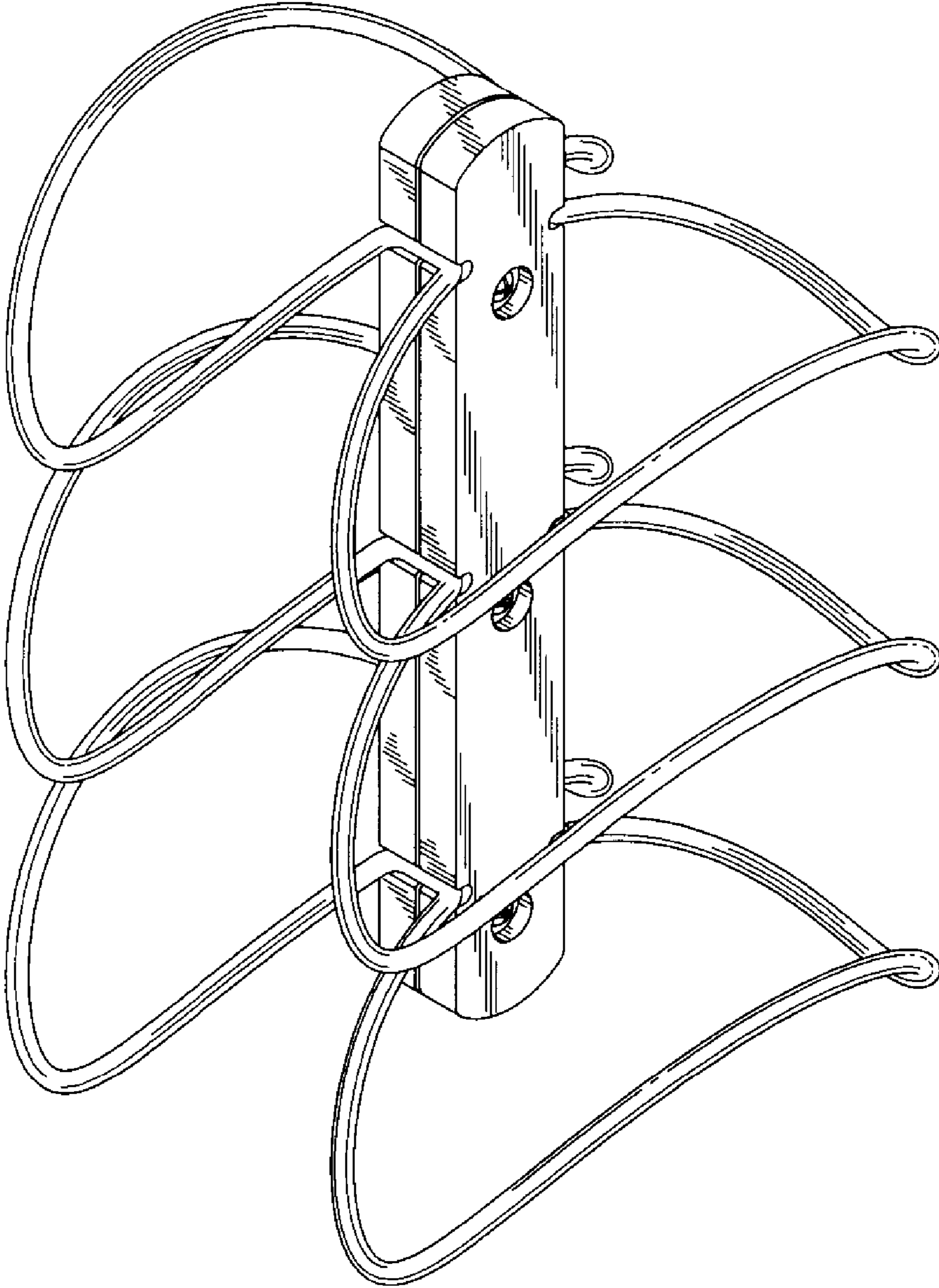


FIG. 1

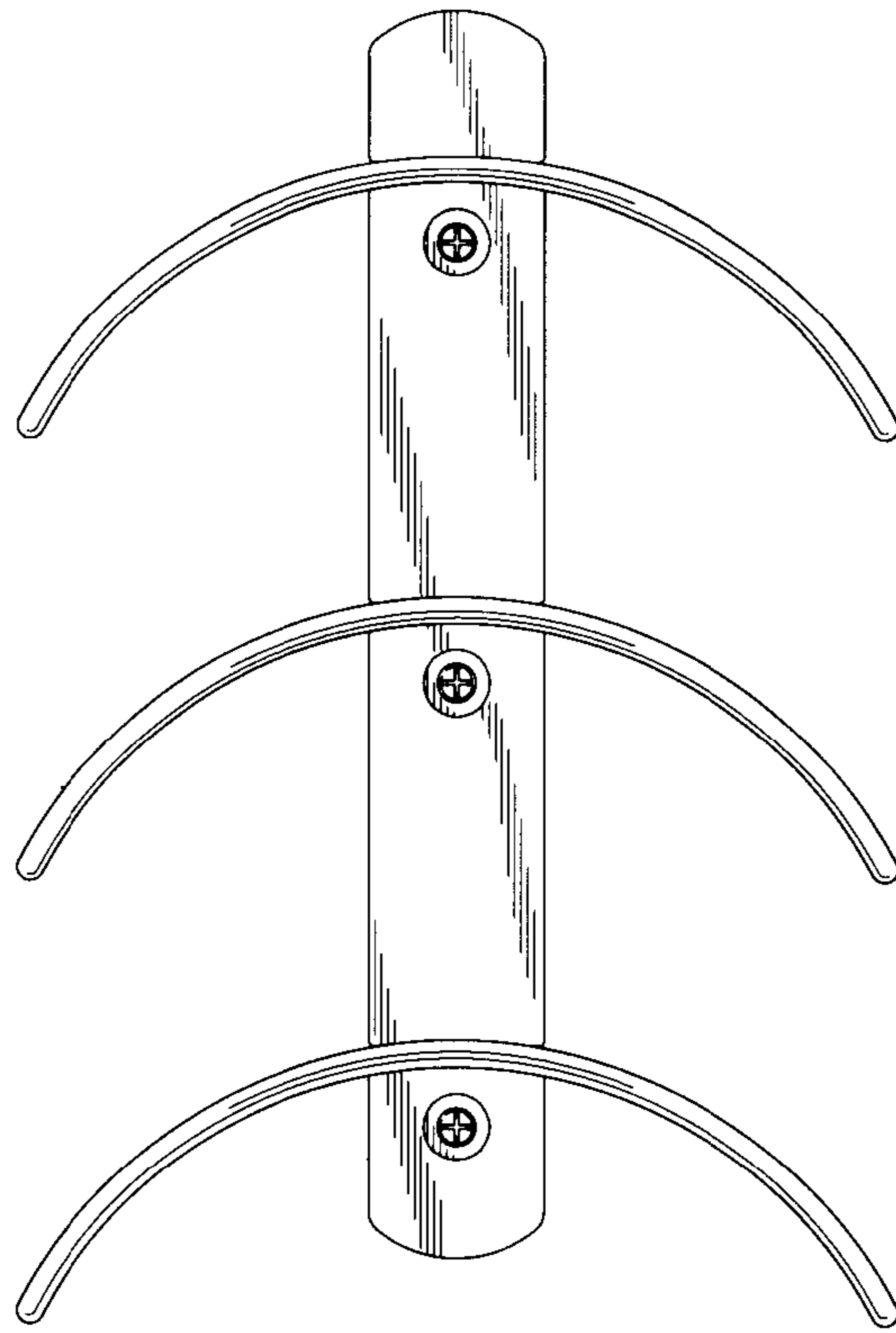


FIG. 2

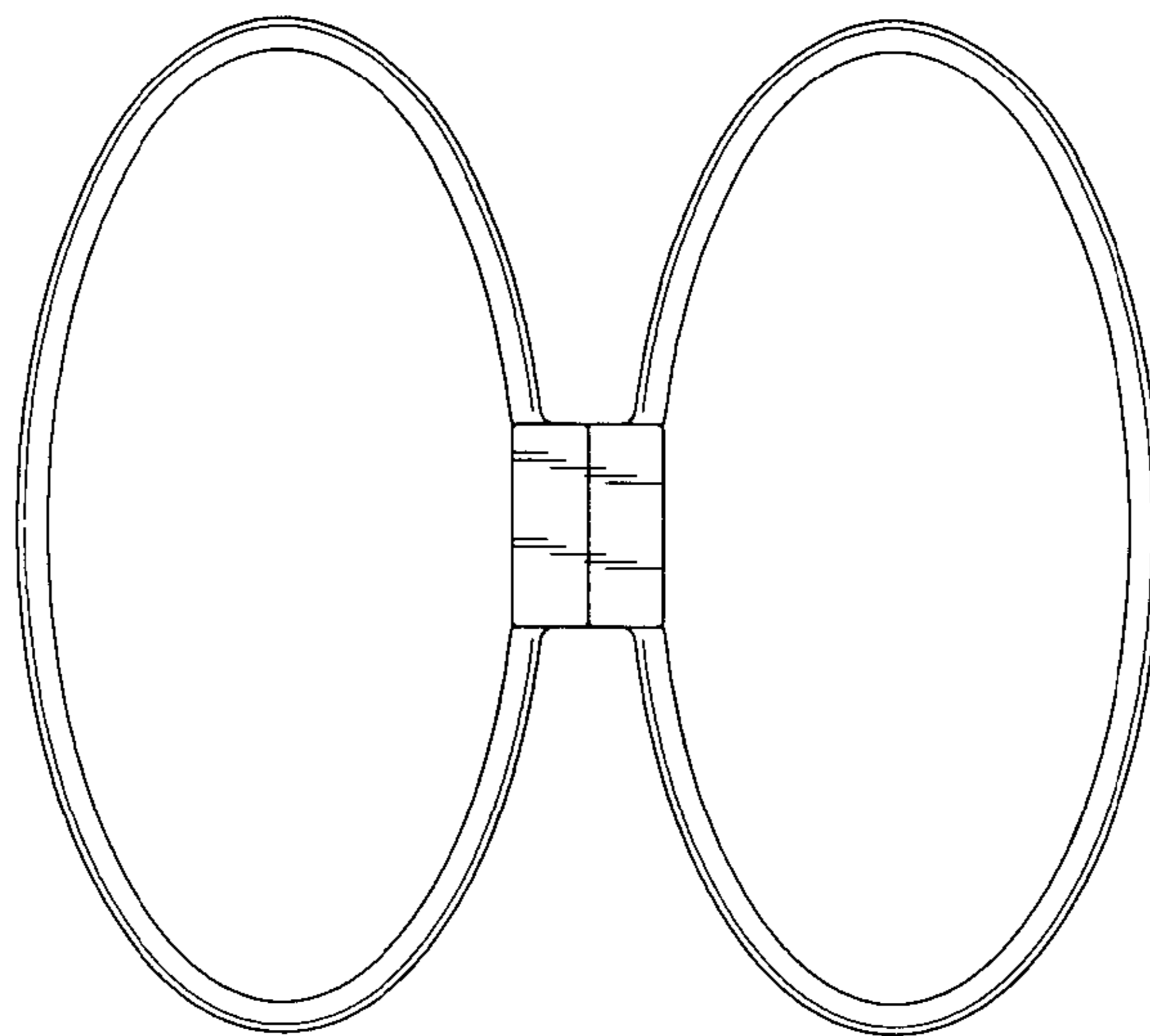


FIG. 3

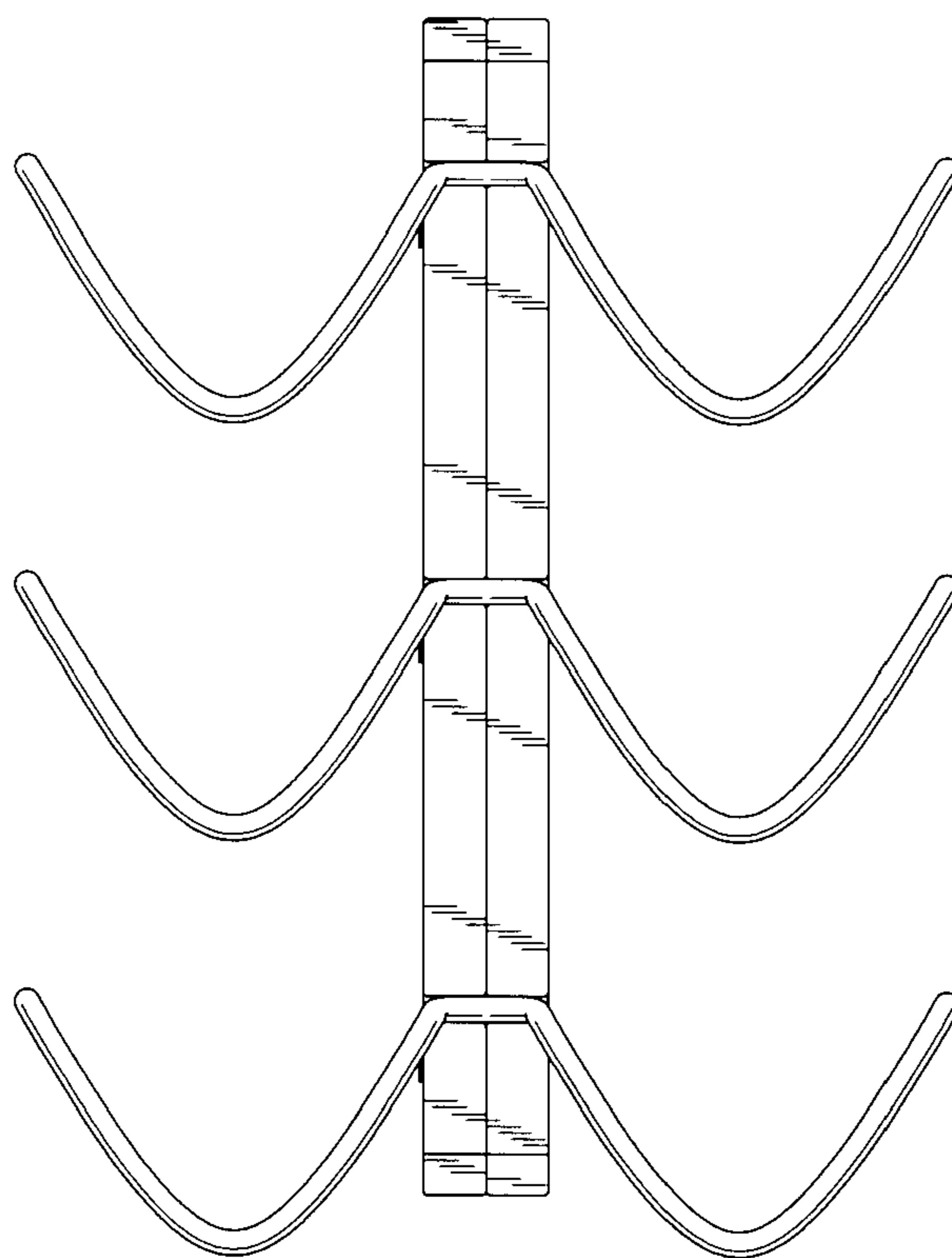


FIG. 4

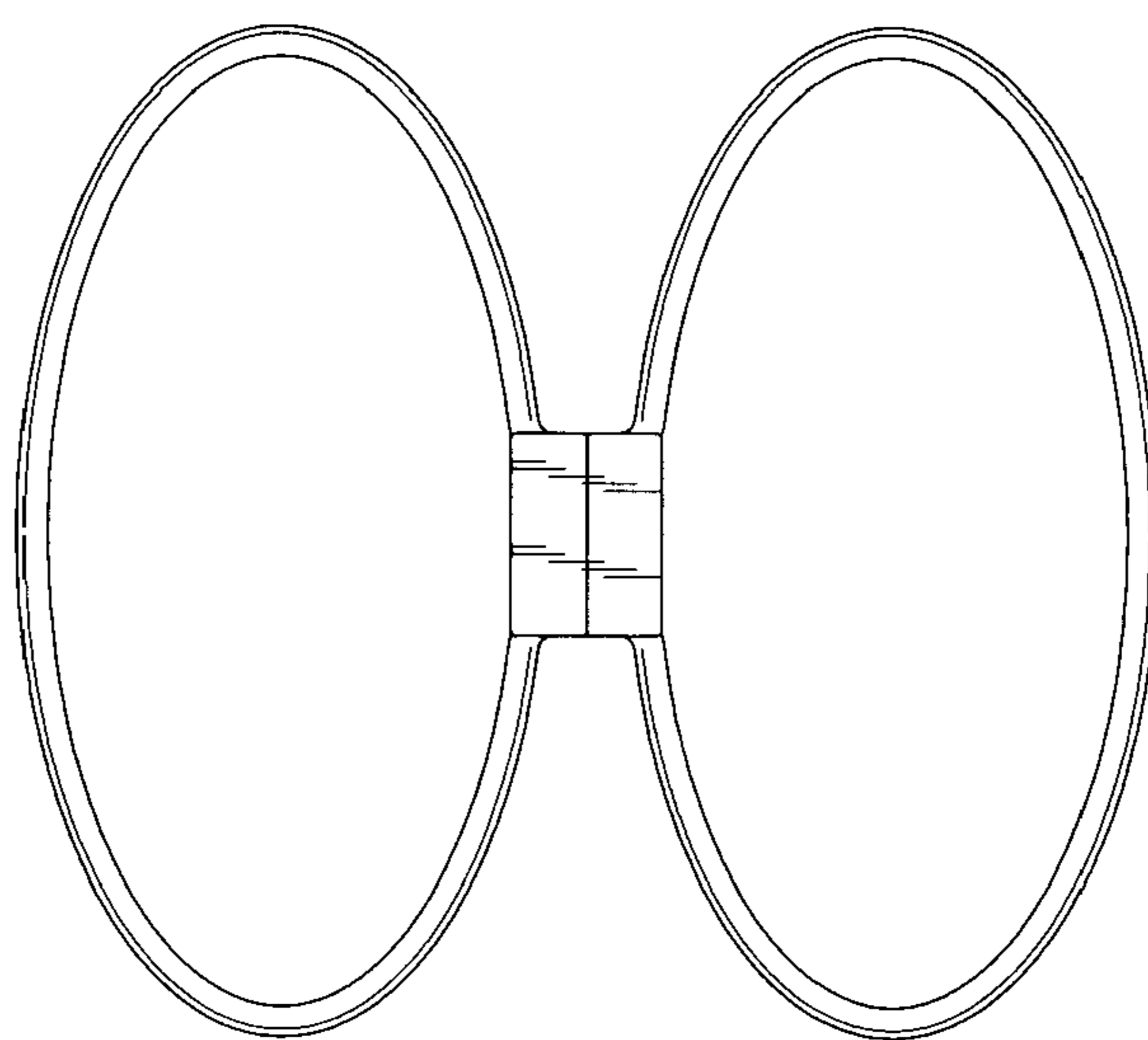


FIG. 5

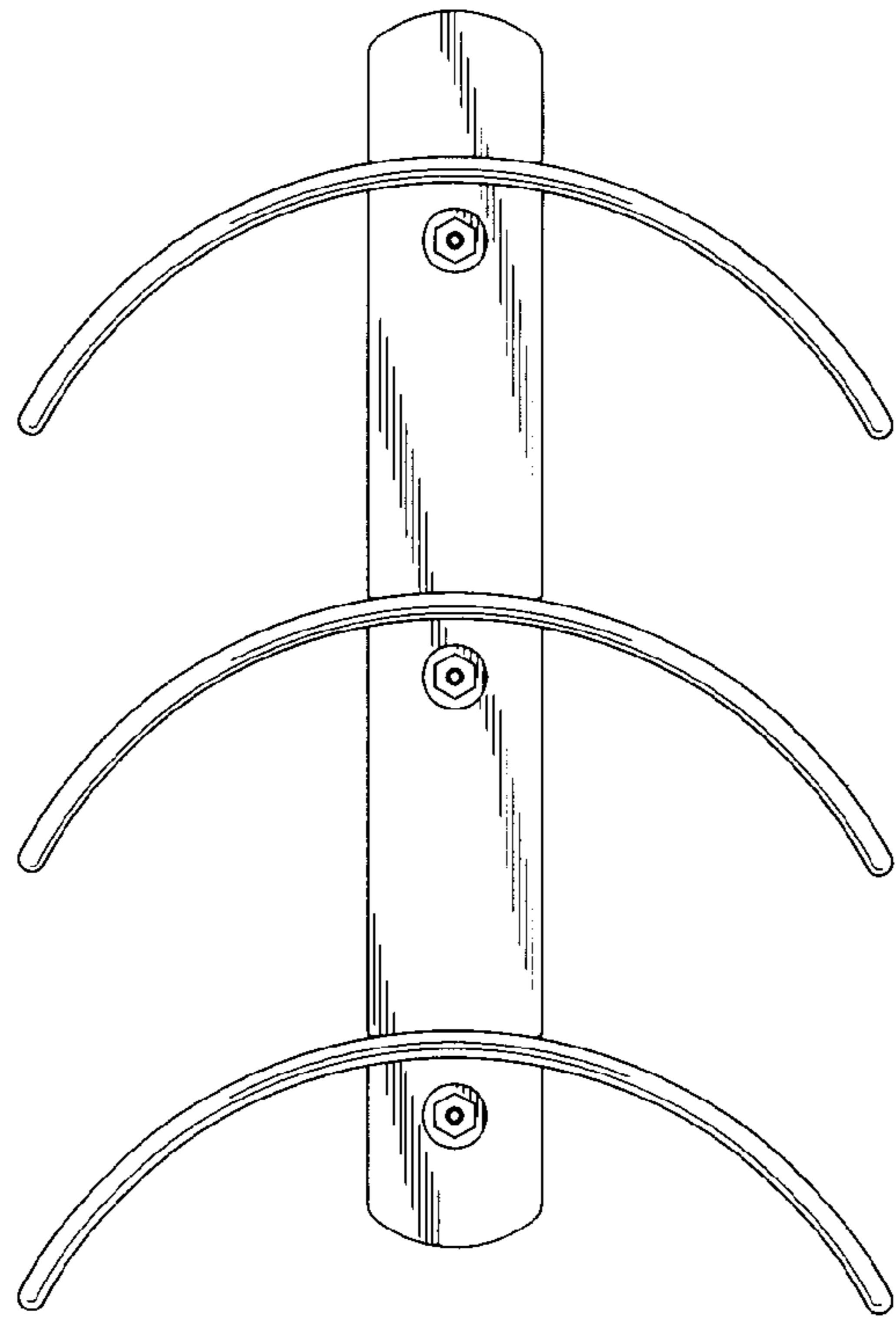


FIG. 6

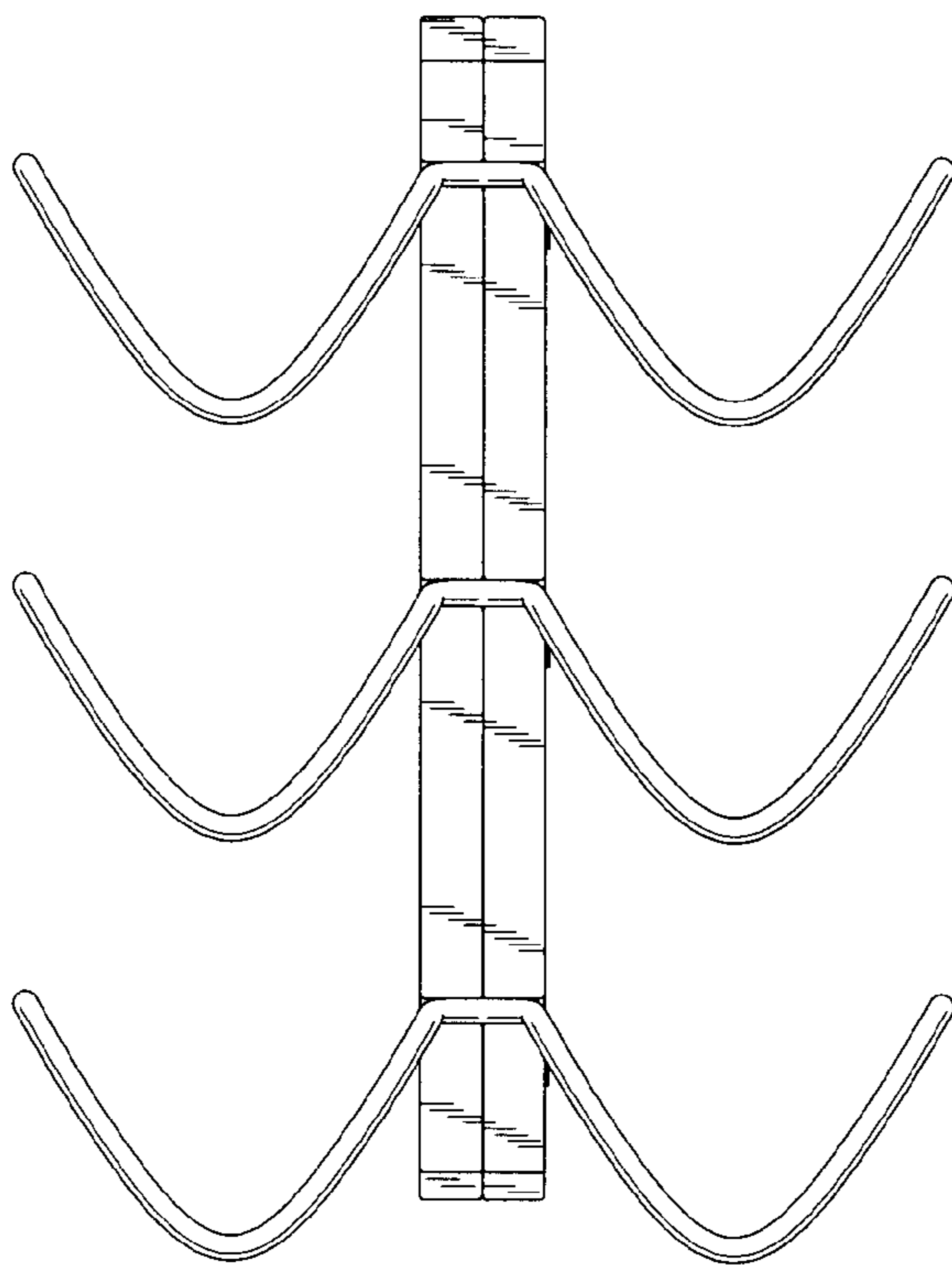


FIG. 7