

US00D541603S

(12) **United States Design Patent**  
**Anker**

(10) **Patent No.:** **US D541,603 S**

(45) **Date of Patent:** **\*\* May 1, 2007**

(54) **VERTICAL COOKWARE ORGANIZER**

D427,026 S \* 6/2000 Wang ..... D7/701  
D444,359 S \* 7/2001 Levy ..... D7/704

(76) Inventor: **Elliot Anker**, 3529 Boise Way, Cooper  
City, FL (US) 33026

\* cited by examiner

(\*\*) Term: **14 Years**

*Primary Examiner*—Terry A. Wallace  
(74) *Attorney, Agent, or Firm*—Robert M. Schwartz; David  
W. Barman

(21) Appl. No.: **29/246,482**

(22) Filed: **Apr. 18, 2006**

(57) **CLAIM**

(51) **LOC (8) Cl.** ..... **07-06**

The ornamental design of a vertical cookware organizer, as  
shown and described.

(52) **U.S. Cl.** ..... **D7/704**

(58) **Field of Classification Search** ..... D7/701–708,  
D7/600.1–600.4, 601, 637; D6/455, 458,  
D6/462, 466, 467, 512, 552; 211/74, 75,  
211/13.1, 85.31, 181.1

**DESCRIPTION**

See application file for complete search history.

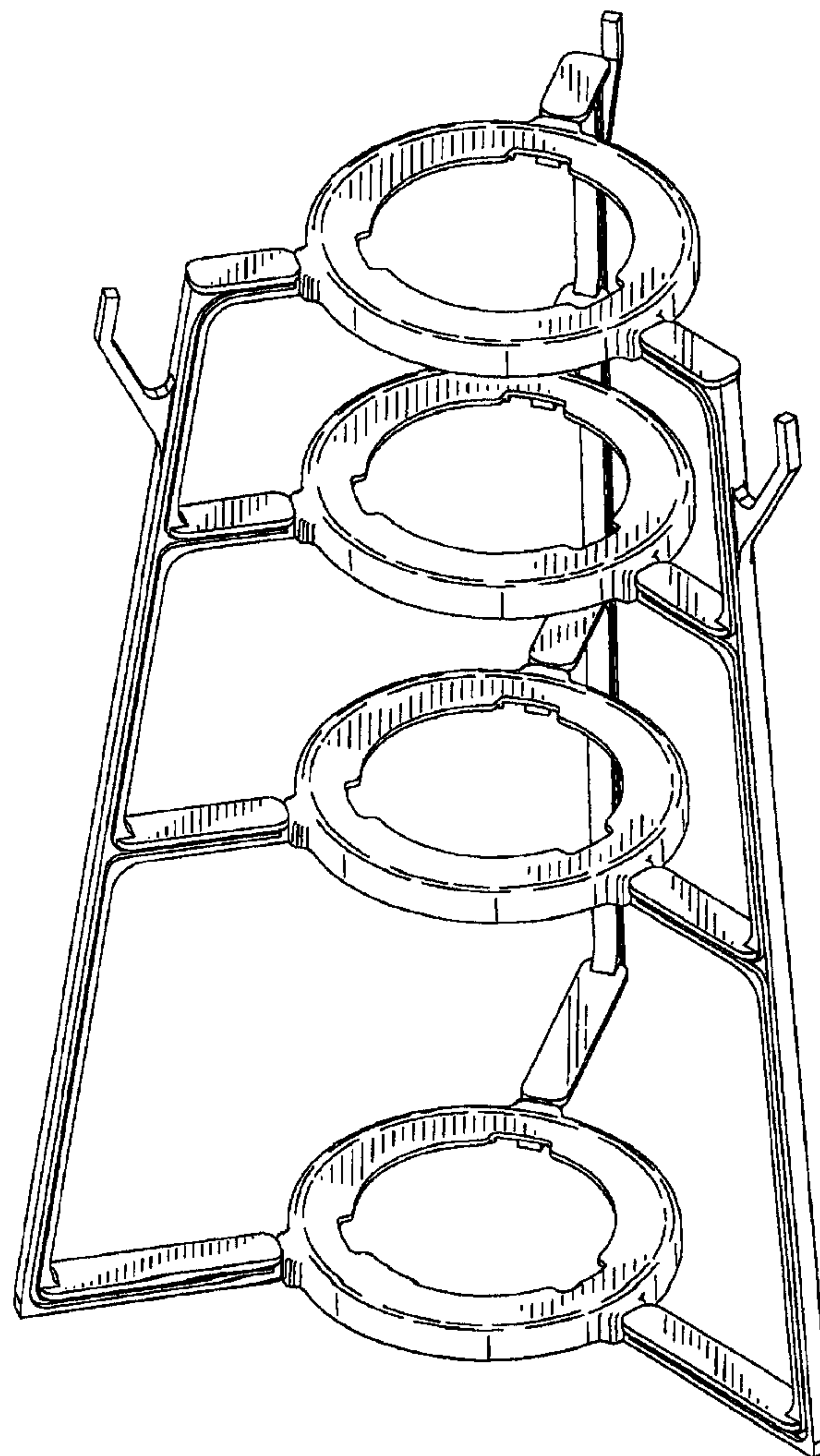
FIG. 1 is a perspective view of the vertical cookware  
organizer of the present invention.  
FIG. 2 is a front view of the vertical cookware organizer.  
FIG. 3 is a rear view of the vertical cookware organizer.  
FIG. 4 is a right side view of the vertical cookware organizer.  
FIG. 5 is a top view of the vertical cookware organizer; and,  
FIG. 6 is a bottom view of the vertical cookware organizer.

(56) **References Cited**

**U.S. PATENT DOCUMENTS**

1,913,033 A \* 6/1933 Kwapil ..... 211/74

**1 Claim, 5 Drawing Sheets**



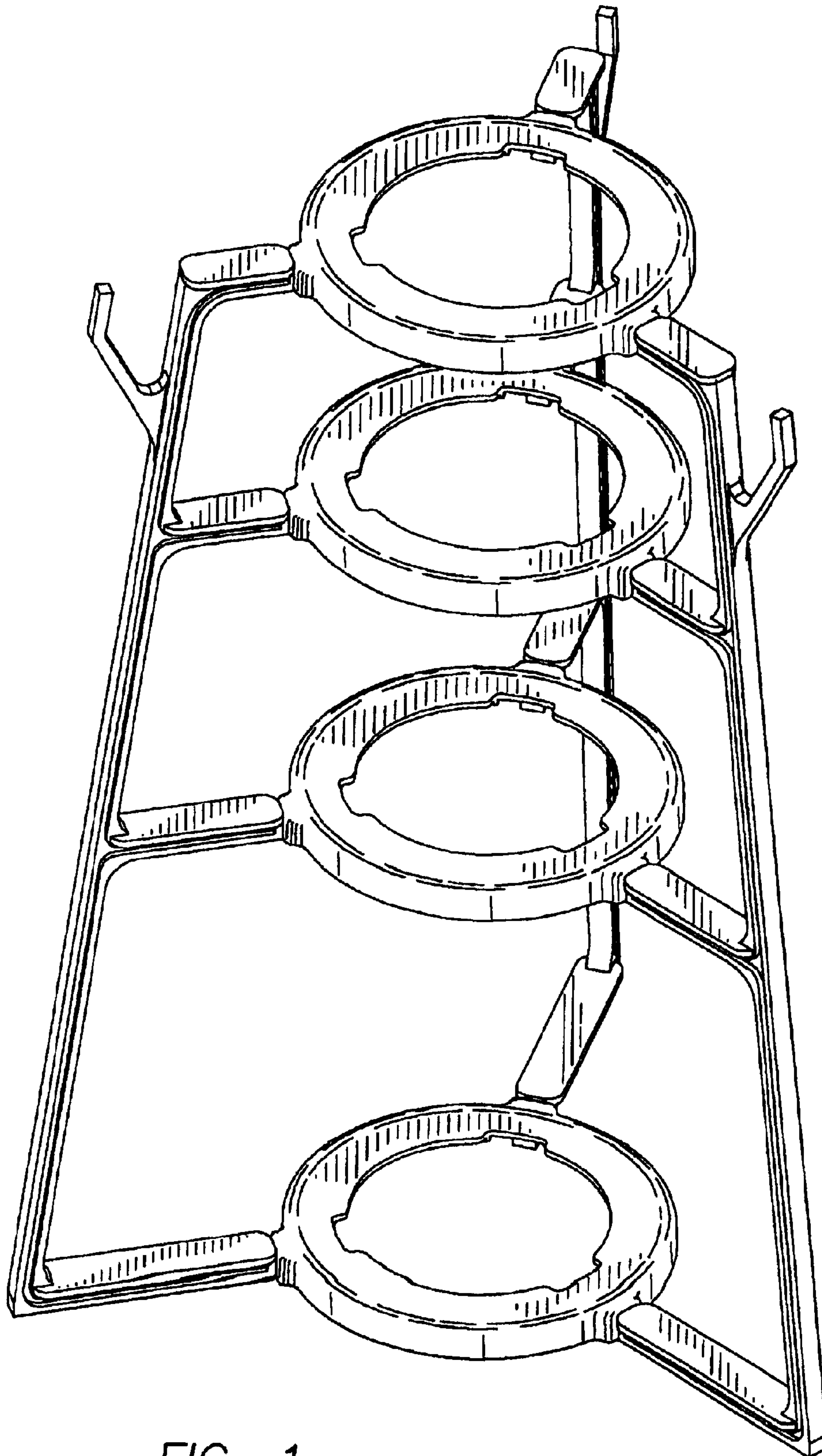


FIG. 1

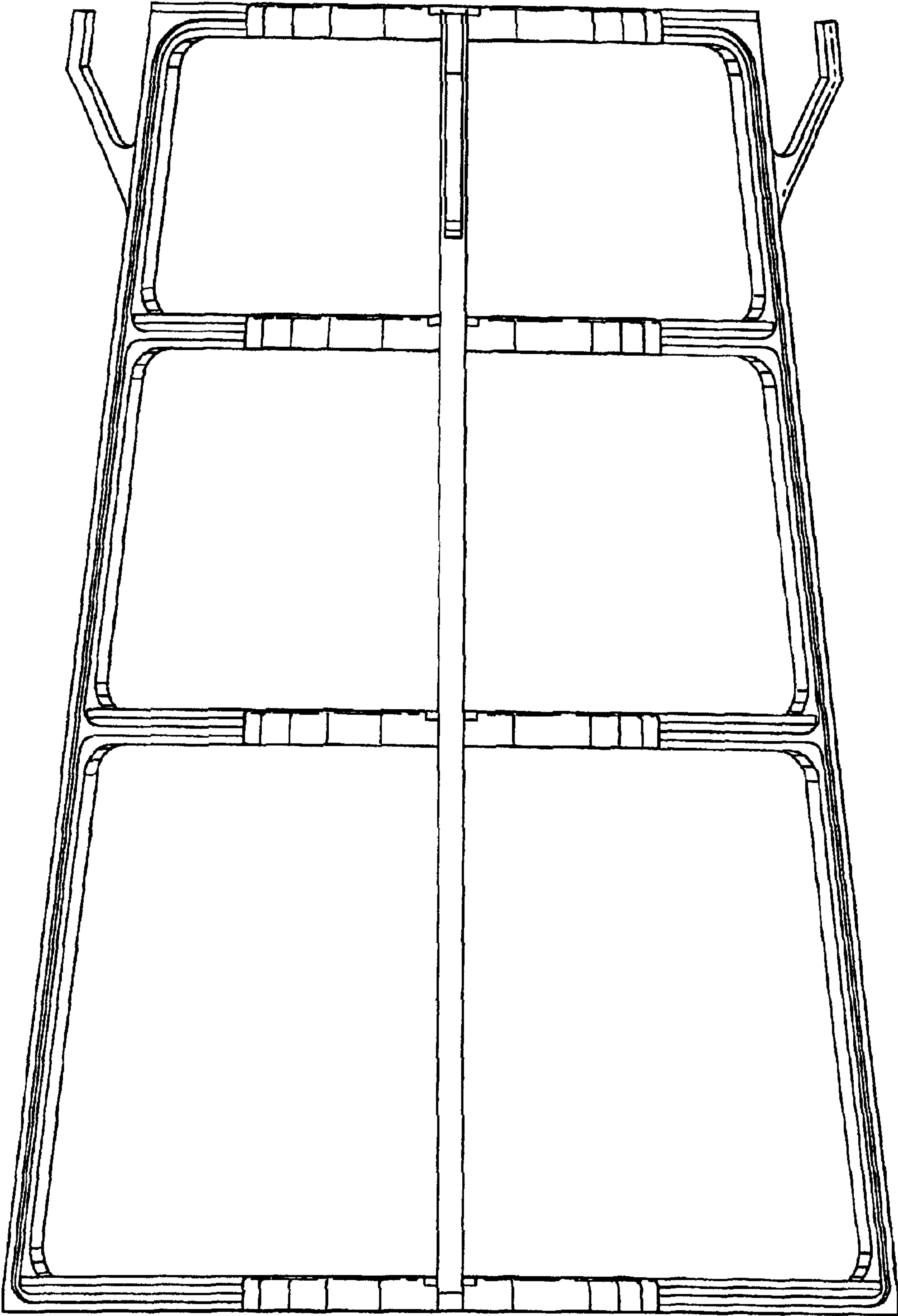


FIG. 2

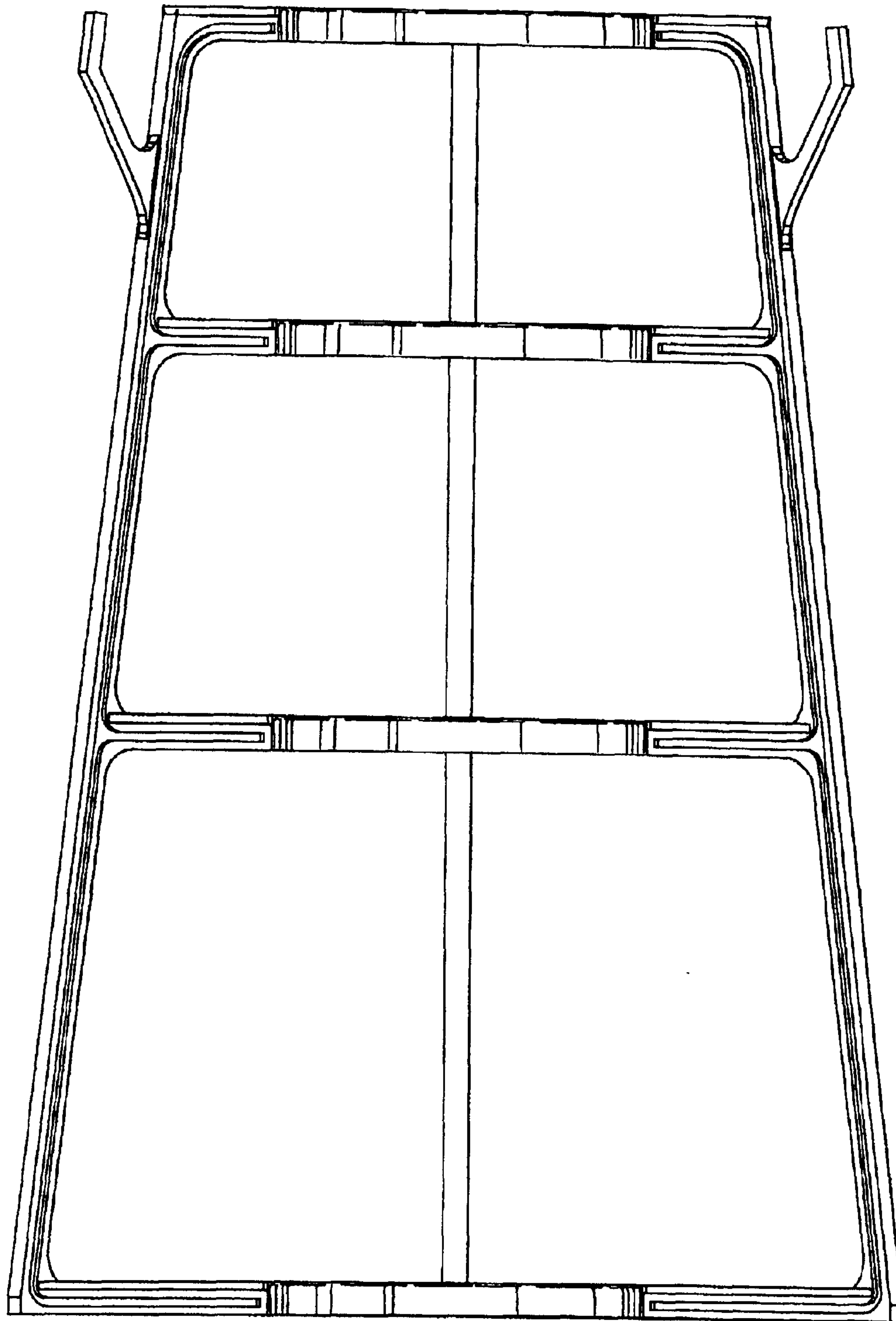


FIG. 3

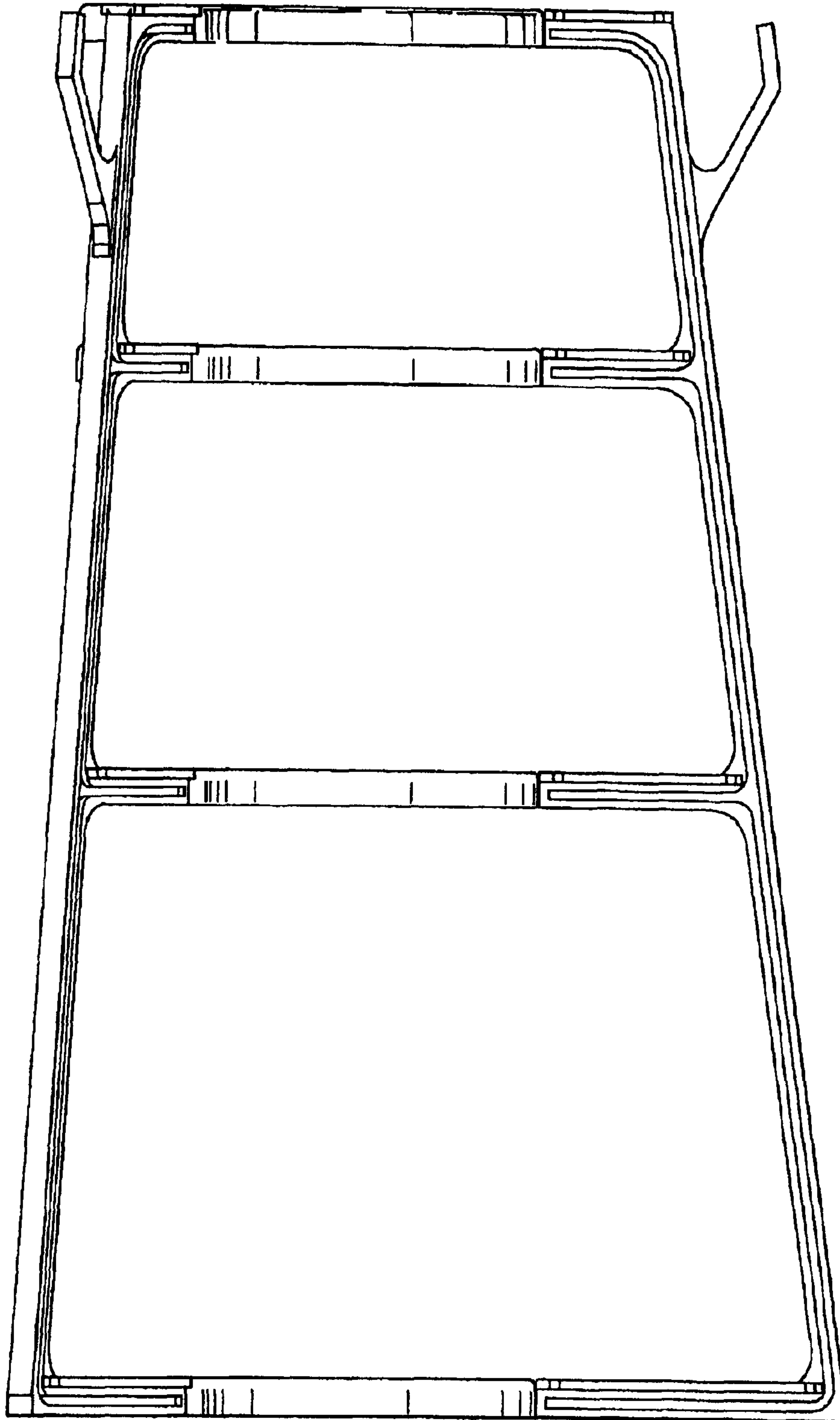


FIG. 4



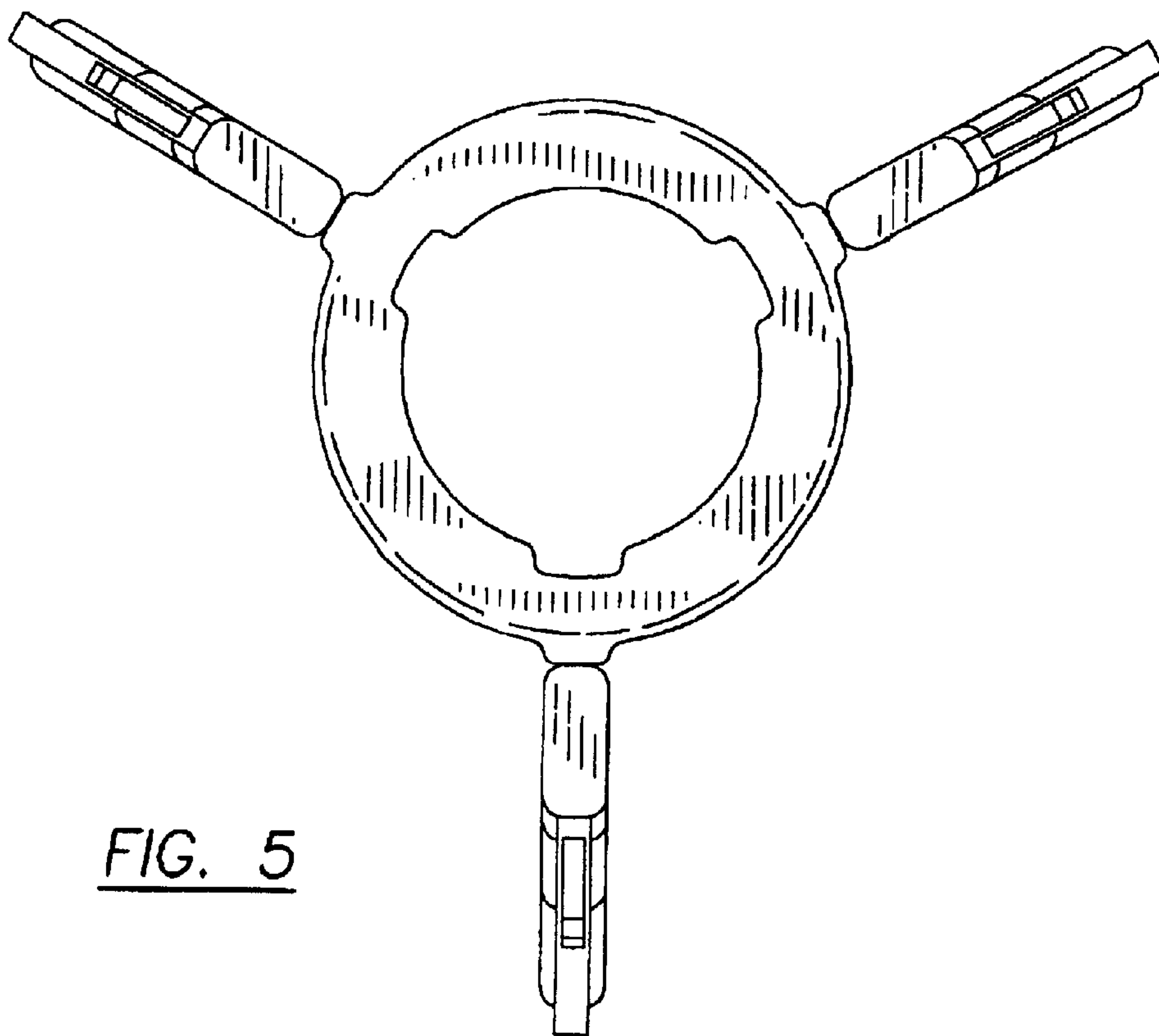


FIG. 5

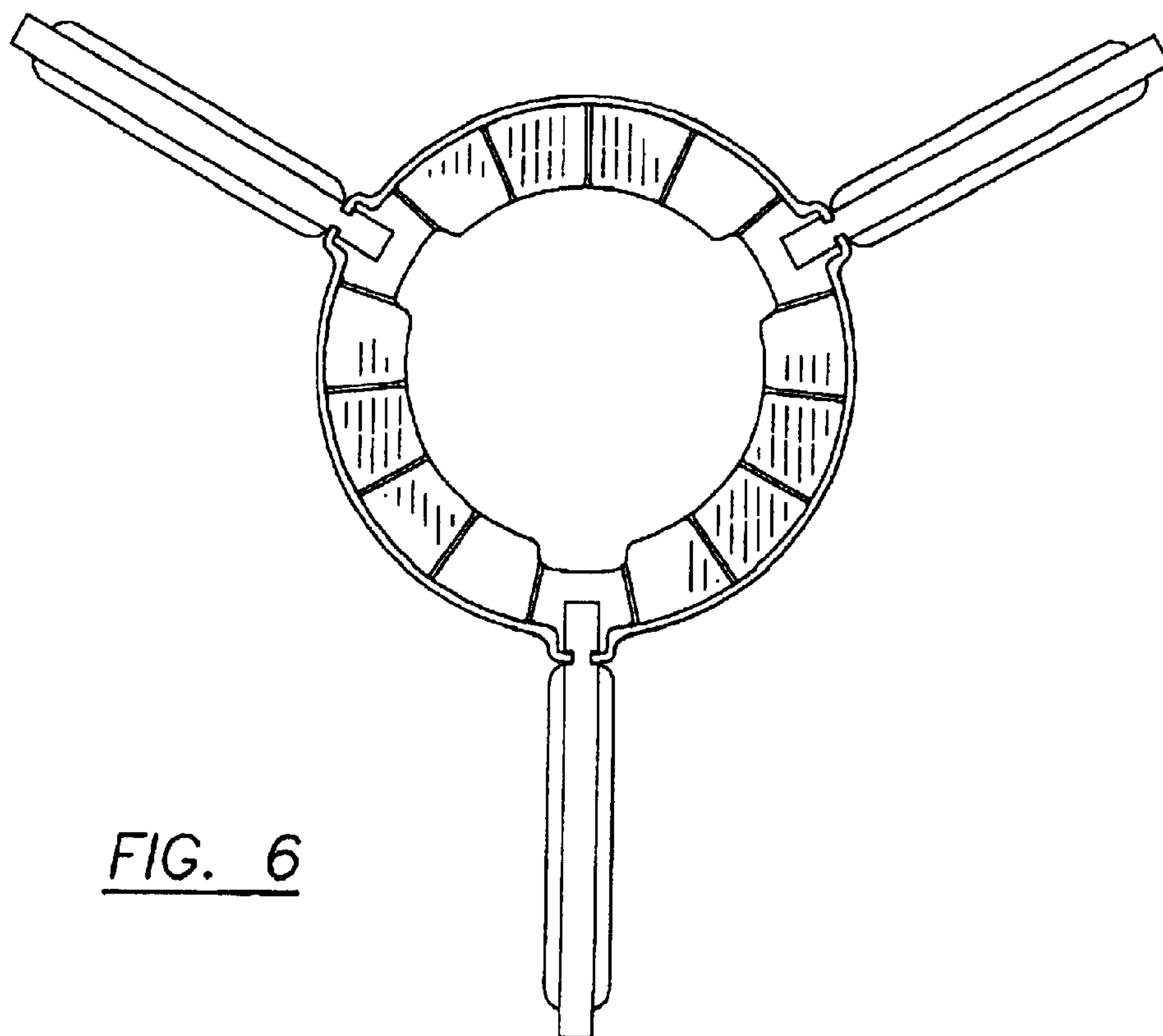


FIG. 6