



US00D541598S

(12) **United States Design Patent**
Kim

(10) **Patent No.:** **US D541,598 S**

(45) **Date of Patent:** **** May 1, 2007**

(54) **CONTAINER FOR STORING FOODS**

(75) Inventor: **Chang-Ho Kim**, Incheon (KR)

(73) Assignee: **Hana Cobi Co., Ltd.**, Seoul (KR)

(**) Term: **14 Years**

(21) Appl. No.: **29/254,198**

(22) Filed: **Feb. 21, 2006**

(30) **Foreign Application Priority Data**

Jan. 19, 2006 (KR) 30-2006-0002299

(51) **LOC (8) Cl.** **07-01**

(52) **U.S. Cl.** **D7/629**

(58) **Field of Classification Search** D7/317-319,
D7/391-392.1, 396.2, 510-511, 550.1, 601-602,
D7/629; D9/414, 418, 420-425, 428-430,
D9/435, 436, 440-454, 503-504; D3/273,
D3/274; 206/216, 457, 508, 541, 557, 822;
215/200, 211, 224, 243; 220/213, 351-376,
220/601, 669, 674, 675, 700-703, 711-715,
220/719, 783, 789, 790, 796, 797; 229/108,
229/114, 116.1, 120.14, 122.27, 406, 407,
229/902-906, 938; 426/106, 129, 130

See application file for complete search history.

(56) **References Cited**

U.S. PATENT DOCUMENTS

D390,109 S * 2/1998 Tucker et al. D9/425
D427,063 S * 6/2000 May D9/425

D428,310 S * 7/2000 Zettle et al. D7/629
6,170,696 B1 * 1/2001 Tucker et al. 220/793
D440,470 S * 4/2001 Tucker et al. D7/629
D443,184 S * 6/2001 Maxwell et al. D7/629
D443,798 S * 6/2001 Tucker et al. D7/629
D445,649 S * 7/2001 Maxwell et al. D7/629
D446,450 S * 8/2001 Zettle et al. D9/425
D448,288 S * 9/2001 Zettle et al. D9/425
D489,975 S * 5/2004 Jackson et al. D9/425
D490,278 S * 5/2004 Welsh D7/629
D502,061 S * 2/2005 Dais et al. D7/629

* cited by examiner

Primary Examiner—Cathron C. Brooks

Assistant Examiner—Ricky Pham

(74) *Attorney, Agent, or Firm*—Birch, Stewart, Kolasch & Birch, LLP

(57) **CLAIM**

The ornamental design for container for storing foods, as shown.

DESCRIPTION

FIG. 1 is a Perspective view of the container for storing foods showing my new design;
FIG. 2 is a front view thereof;
FIG. 3 is a rear view thereof;
FIG. 4 is a left side view thereof;
FIG. 5 is a right side view thereof;
FIG. 6 is a top side view thereof; and,
FIG. 7 is a bottom side view thereof.

1 Claim, 4 Drawing Sheets

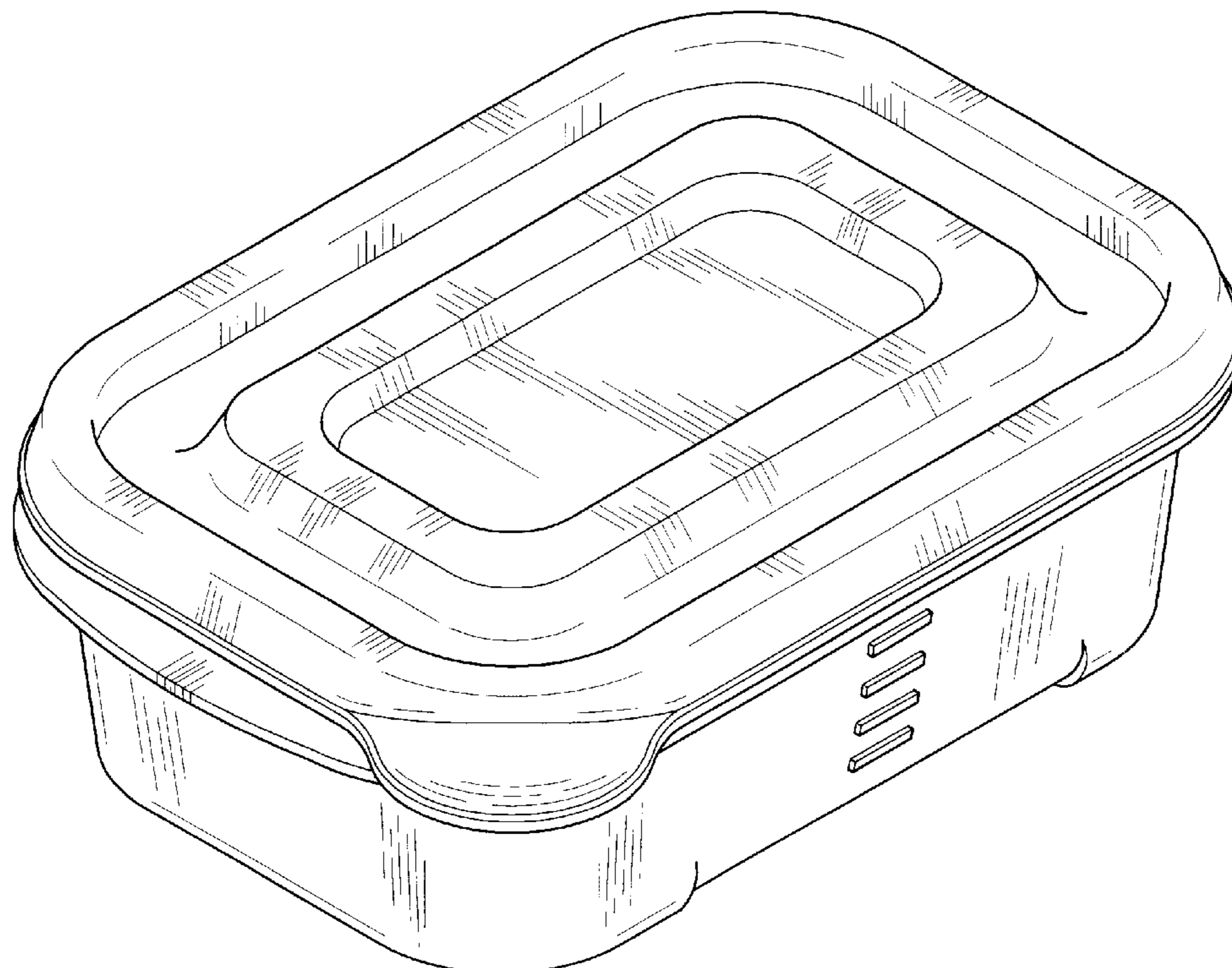


Fig. 1

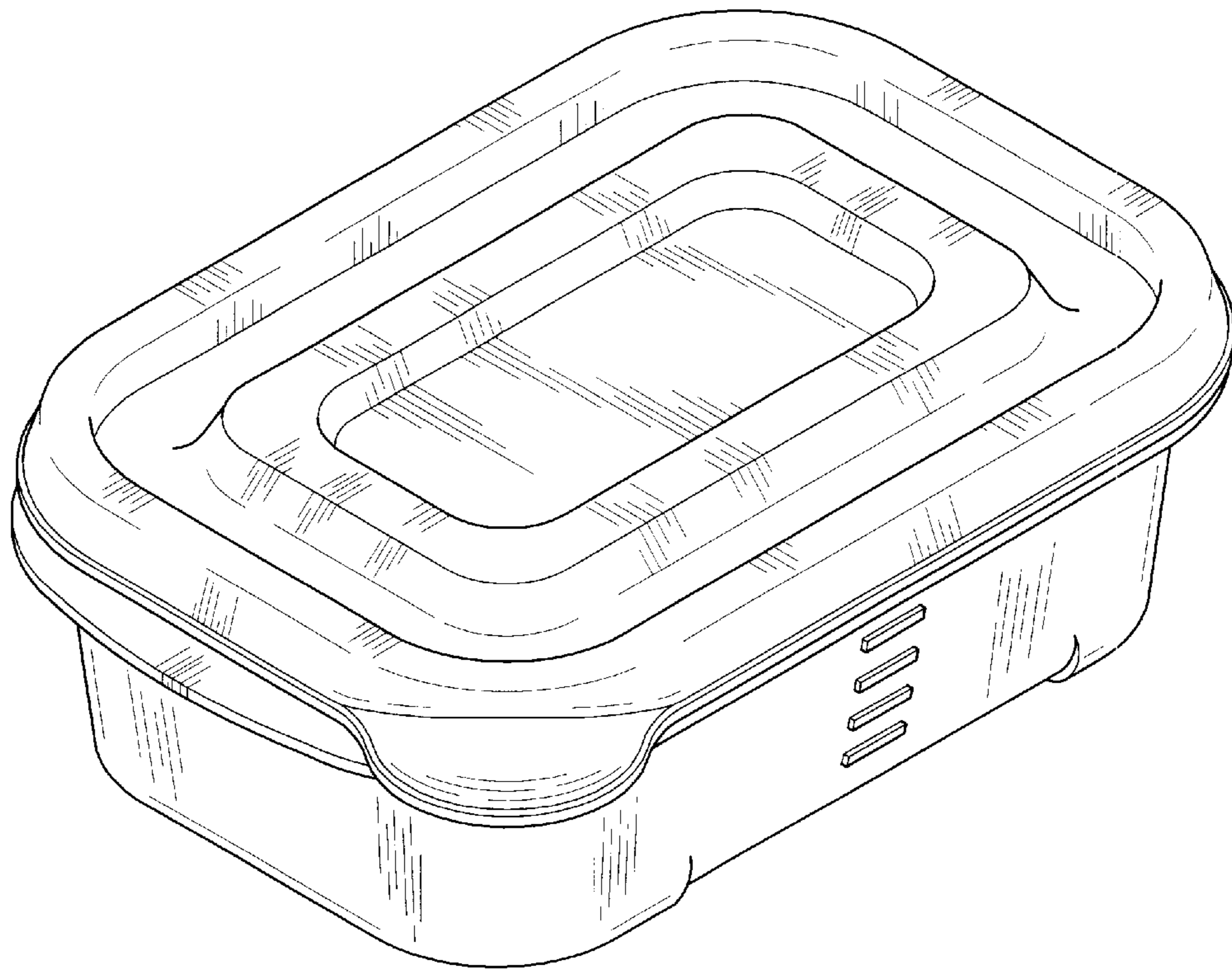


Fig.2

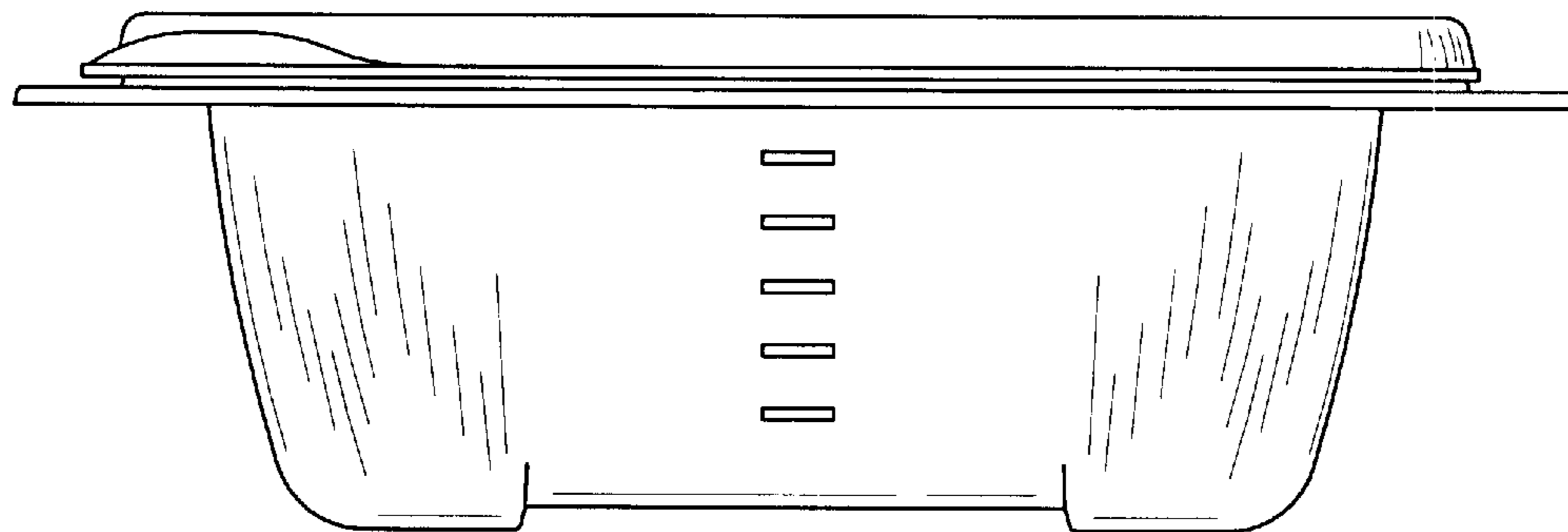


Fig.3

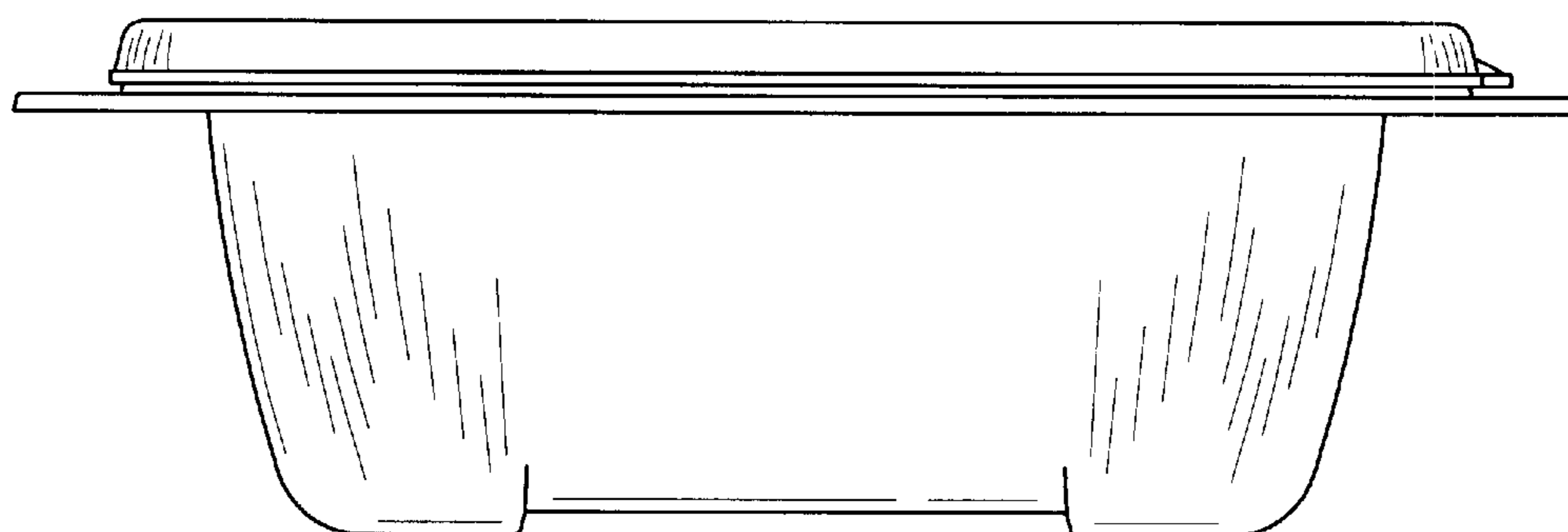


Fig.4

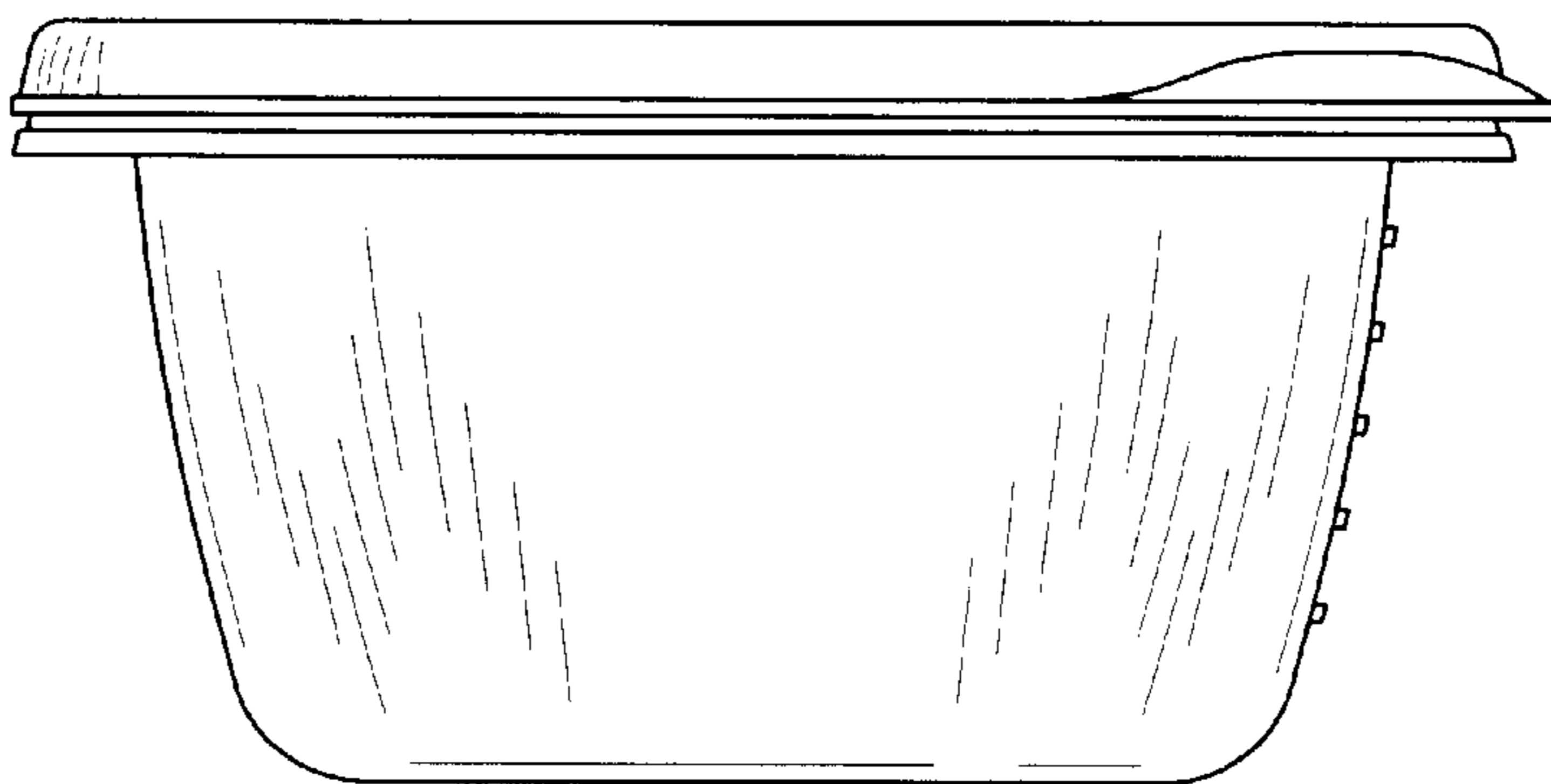


Fig.5

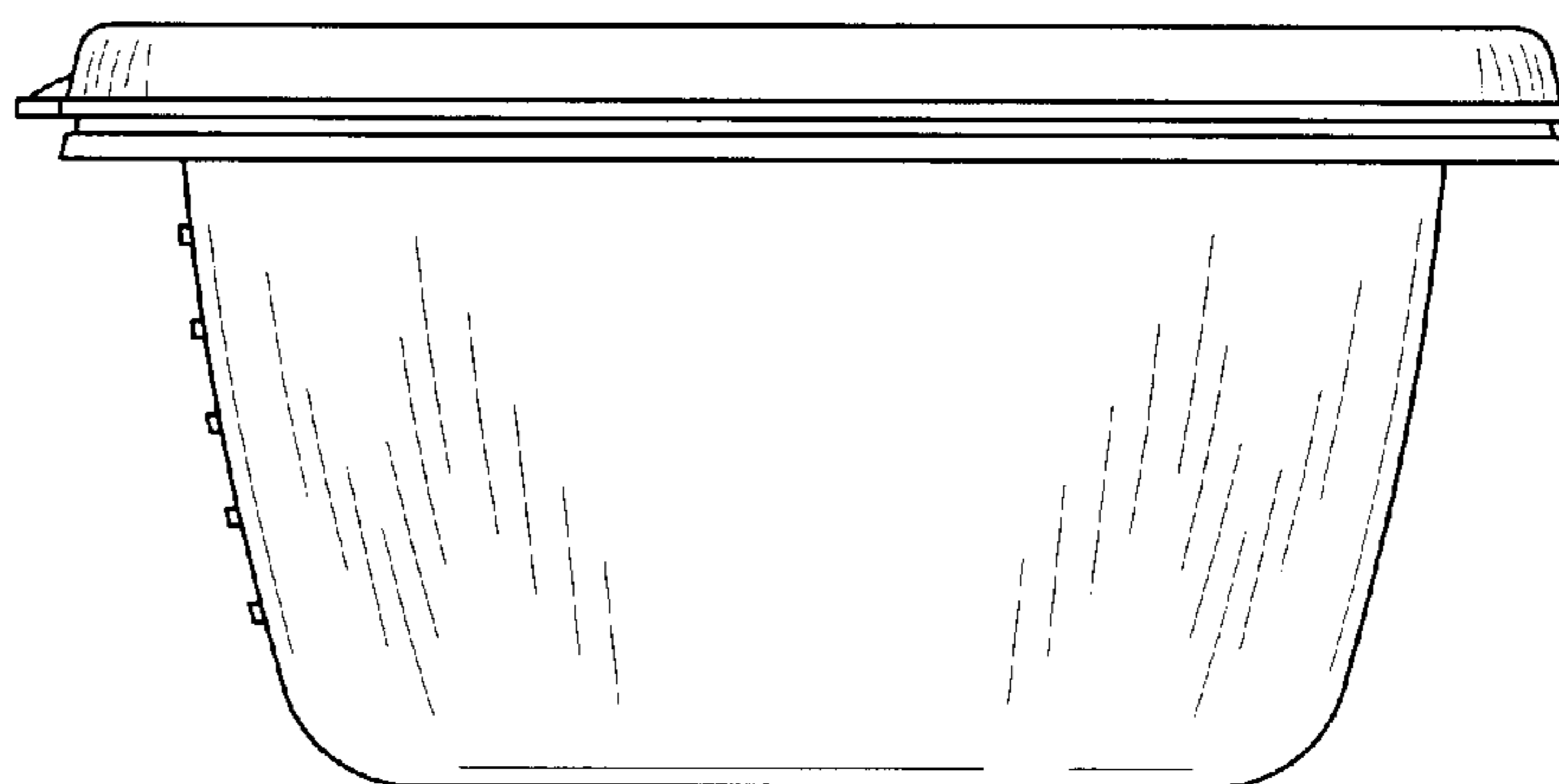


Fig.6

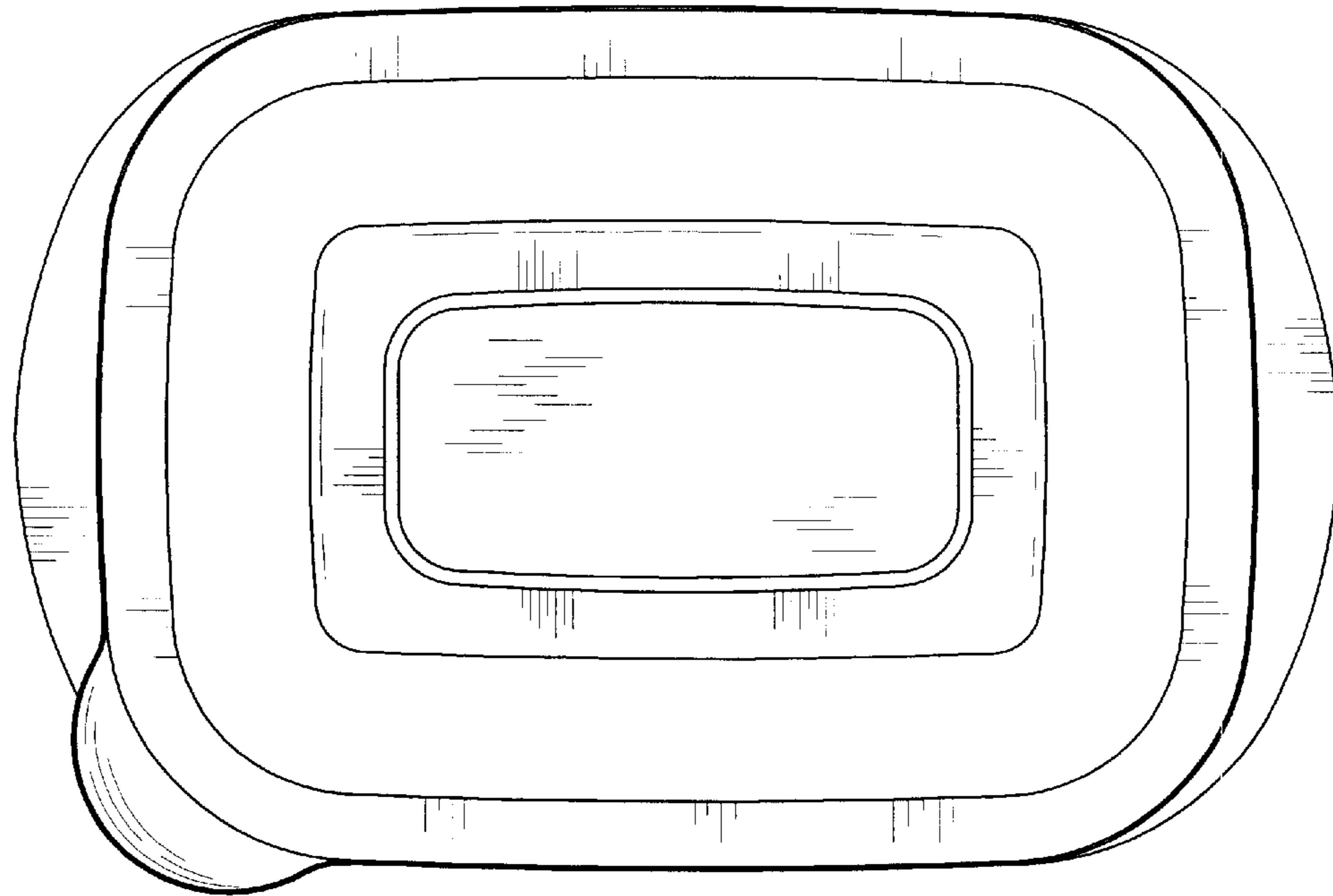


Fig.7

