



US00D541593S

(12) **United States Design Patent**
Kim

(10) **Patent No.:** **US D541,593 S**

(45) **Date of Patent:** **** May 1, 2007**

(54) **HOLDER FOR CONTAINERS**

(75) Inventor: **Chang Ho Kim**, Incheon (KR)

(73) Assignee: **Hana Cobi Co., Ltd.**, Seoul (KR)

(**) Term: **14 Years**

(21) Appl. No.: **29/232,494**

(22) Filed: **Jun. 21, 2005**

(30) **Foreign Application Priority Data**

May 27, 2005 (KR) 30-2005-0017697

(51) **LOC (8) Cl.** **07-06**

(52) **U.S. Cl.** **D7/601**

(58) **Field of Classification Search** D7/601,
D7/600.1-600.4, 701-708, 637; 211/71.01,
211/13.1, 49.1, 78, 126.1, 77, 131.1; 206/518,
206/519, 505; D9/429

See application file for complete search history.

(56) **References Cited**

U.S. PATENT DOCUMENTS

- 2,807,370 A * 9/1957 Kellerman 211/78
- 4,336,759 A * 6/1982 Hannecke D6/457
- 4,775,055 A * 10/1988 Morse 211/78

- 4,919,278 A * 4/1990 Howen 211/49.1
- 5,299,695 A * 4/1994 Taylor, Jr. 211/77
- 5,335,804 A * 8/1994 Flory 211/78
- D364,564 S * 11/1995 Moore D9/429
- D488,353 S * 4/2004 Govrik et al. D7/600.1
- 6,854,608 B2 * 2/2005 McNeeley et al. 211/78

* cited by examiner

Primary Examiner—Terry A. Wallace

(74) *Attorney, Agent, or Firm*—Birch, Stewart, Kolasch & Birch, LLP

(57) **CLAIM**

The ornamental design for a holder for containers, as shown and described.

DESCRIPTION

FIG. 1 is a perspective view of the holder for containers showing my new design;
 FIG. 2 is a front view thereof;
 FIG. 3 is a rear view thereof;
 FIG. 4 is a left side view thereof;
 FIG. 5 is a right side view thereof;
 FIG. 6 is a top view thereof; and,
 FIG. 7 is a bottom view thereof.

1 Claim, 4 Drawing Sheets

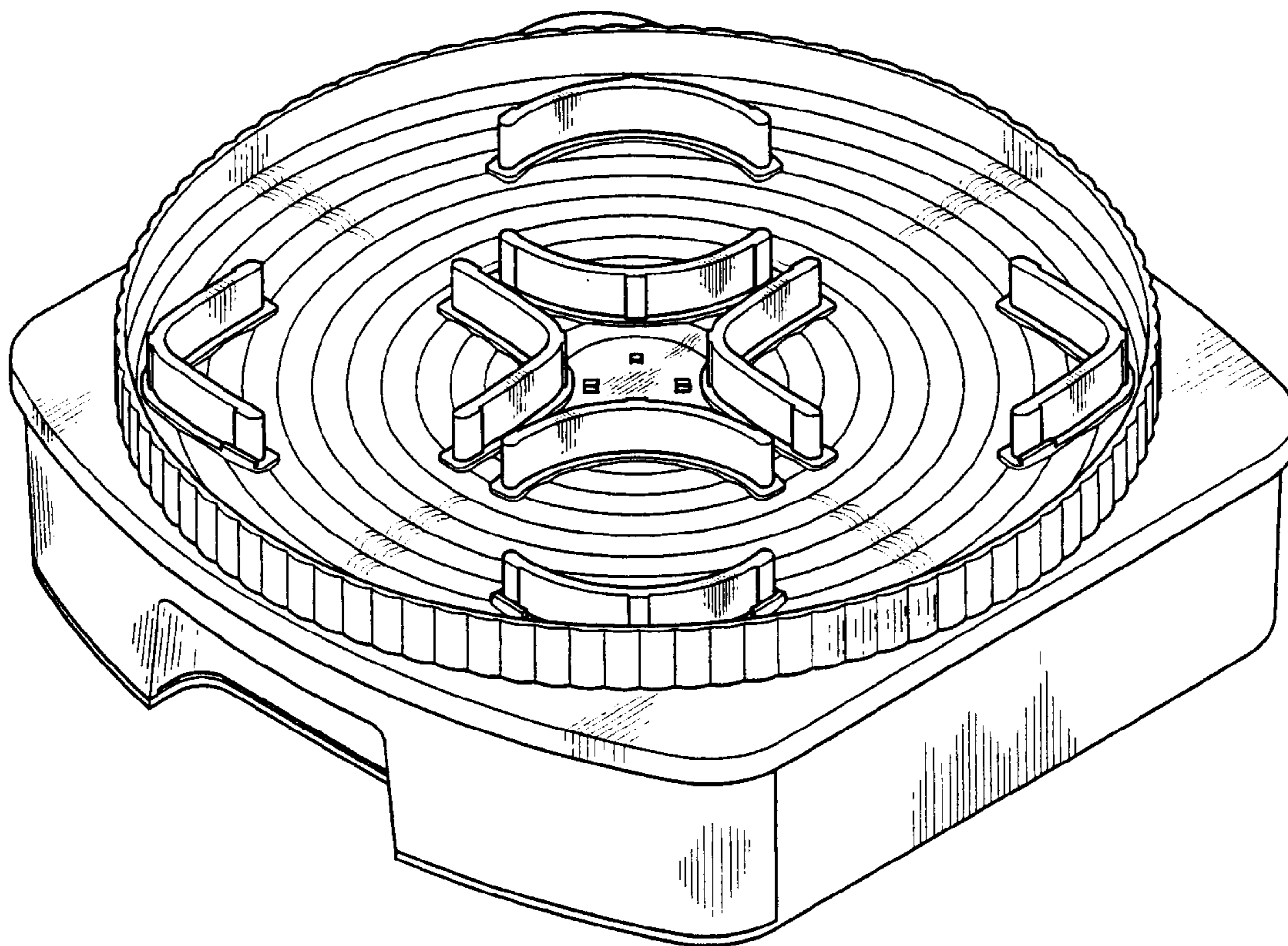


Fig. 1

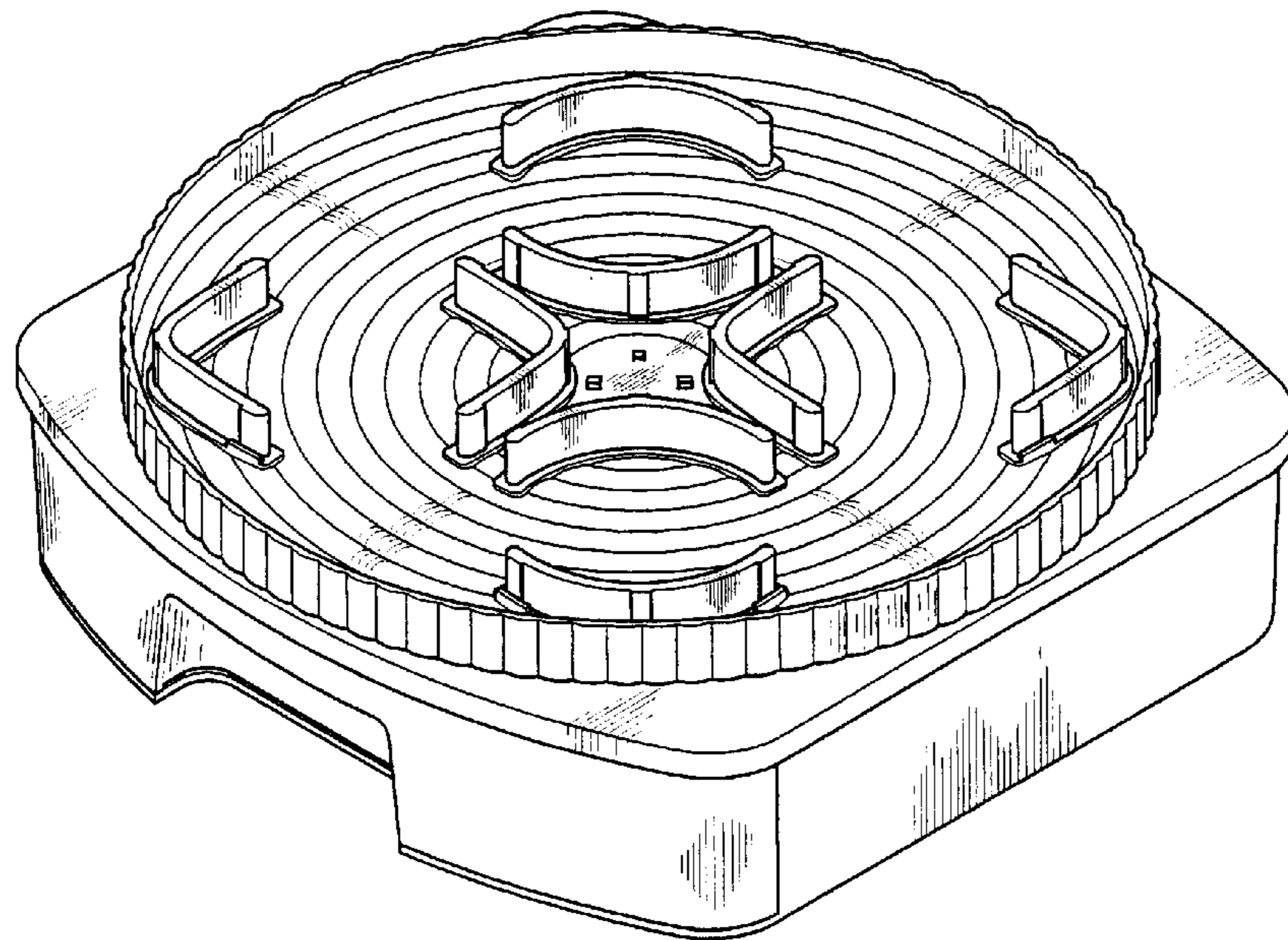


Fig.2

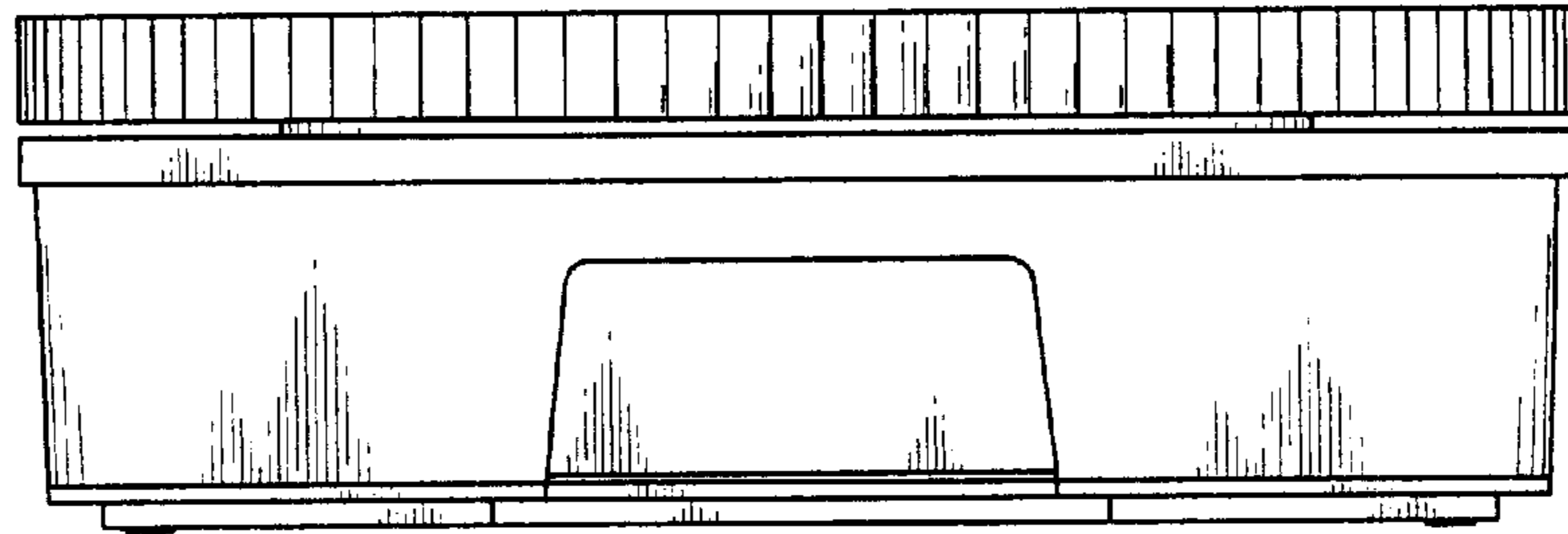


Fig.3

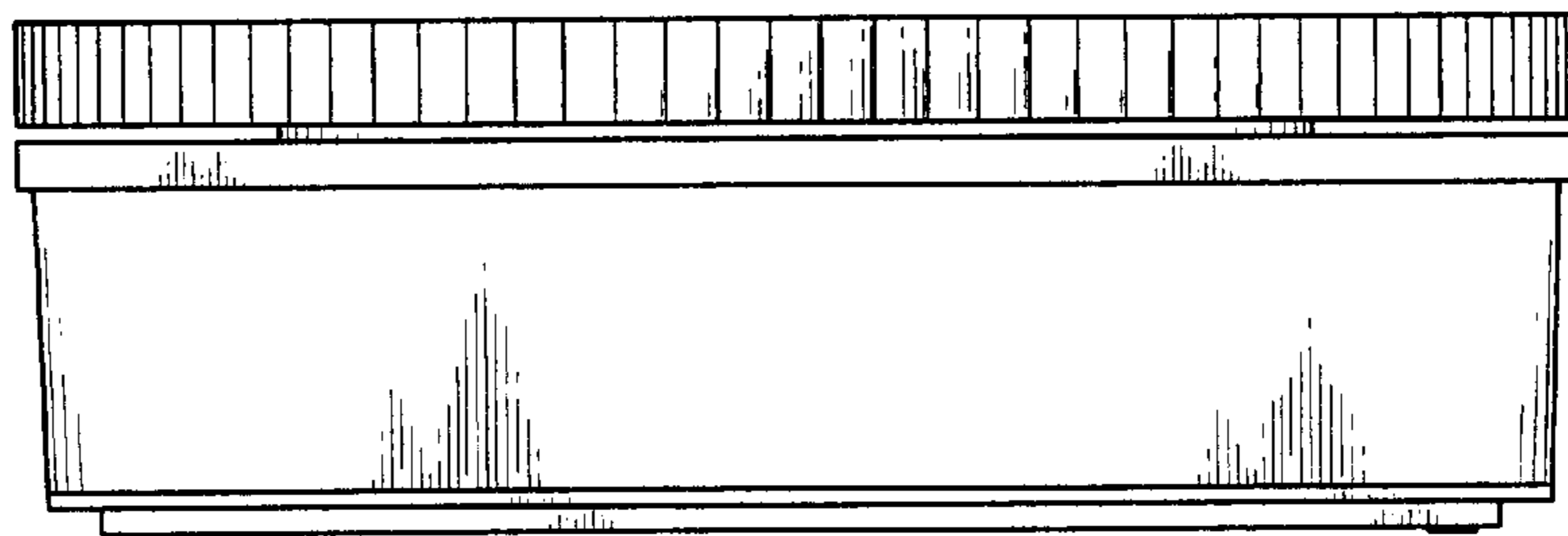


Fig.4

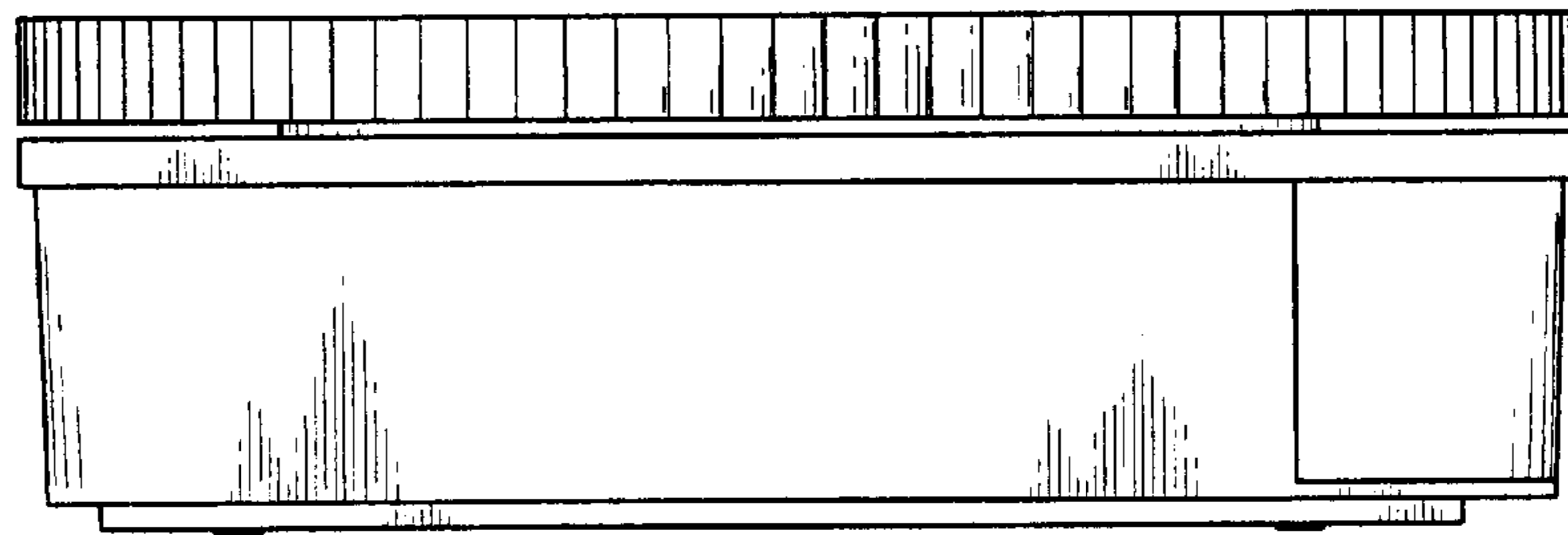


Fig.5

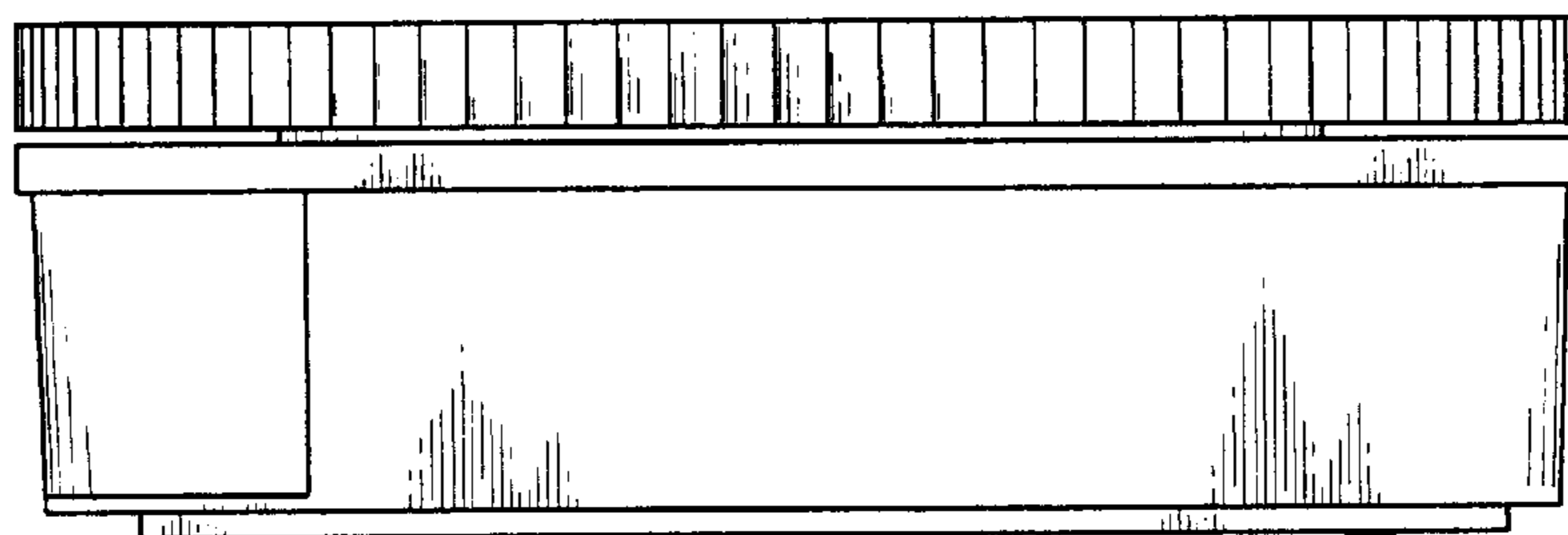


Fig.6

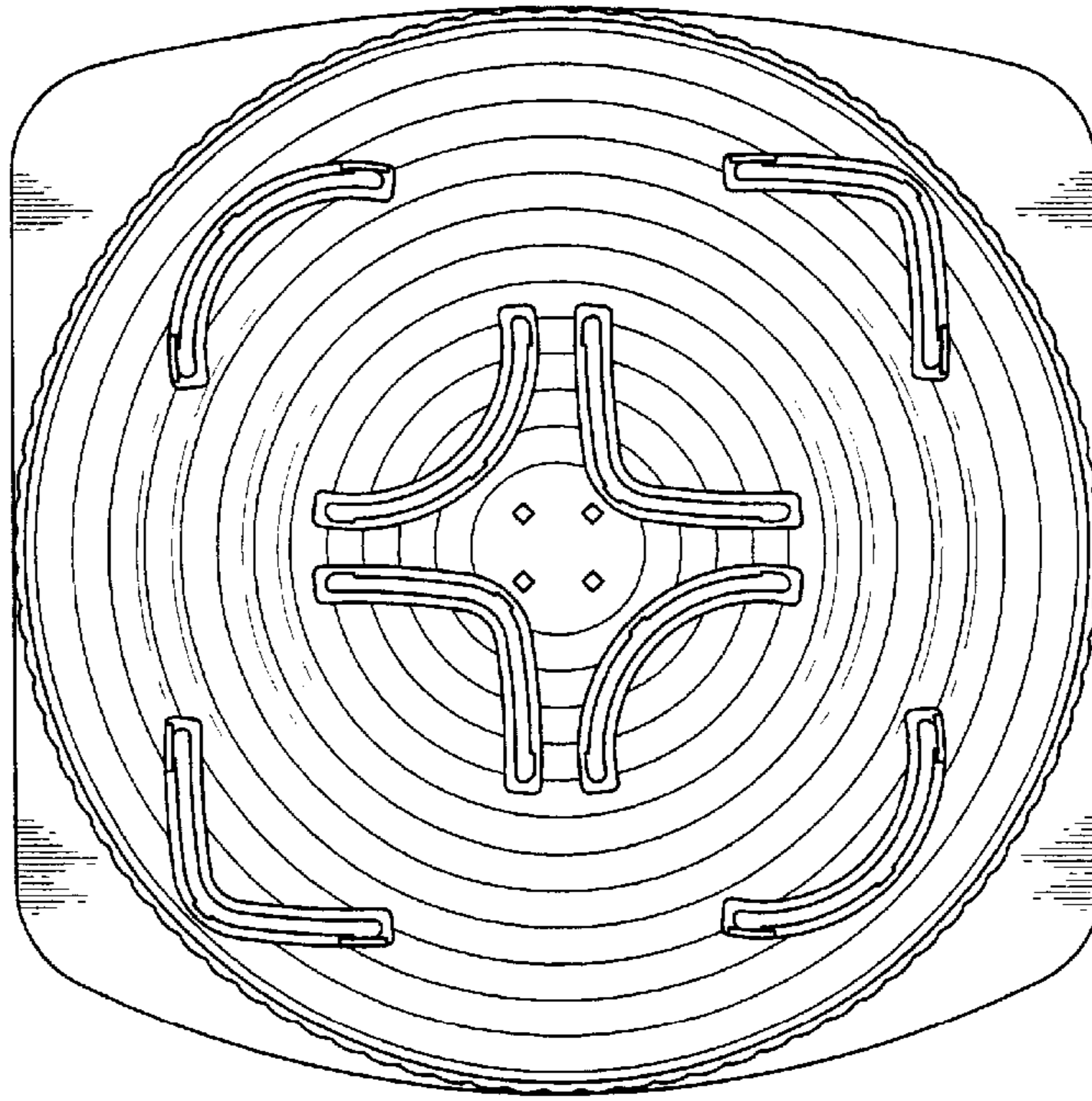


Fig.7

