

US00D541591S

(12) **United States Design Patent**
Wasserman et al.

(10) **Patent No.: US D541,591 S**

(45) **Date of Patent: ** May 1, 2007**

(54) **FOOD PAN**

(75) Inventors: **David M. Wasserman**, Whitefish Bay, WI (US); **John A. Wojcik**, Sheboygan, WI (US); **Craig P. Conner**, Madison, WI (US); **Daniel R. Nett**, Sun Prairie, WI (US)

(73) Assignee: **The Vollrath Company, L.L.C.**, Sheboygan, WI (US)

(**) Term: **14 Years**

(21) Appl. No.: **29/238,865**

(22) Filed: **Sep. 22, 2005**

(51) **LOC (8) Cl.** **07-01**

(52) **U.S. Cl.** **D7/584**

(58) **Field of Classification Search** D7/584-586, D7/535, 602, 542, 505, 543, 611, 545, 376, D7/630, 565, 558, 300.1, 397, 312, 523, 316, D7/396.2, 503, 566, 509, 570, 354; D9/769, D9/772, 424, 425, 430-433, 428, 901, 902; 220/23.83, 574, 212, 657, 659, 755, 771; 222/143, 465.1; 206/821, 822; D24/216, D24/224, 121, 132, 220, 227; 435/288.3, 435/304.3, 305.1

See application file for complete search history.

(56) **References Cited**

U.S. PATENT DOCUMENTS

192,955	A	*	7/1877	Van Skelline	220/574
202,939	A	*	4/1878	Frost et al.	220/574
D109,481	S	*	5/1938	Jackson	D7/354
D182,626	S	*	4/1958	Salm et al.	D7/545
D201,644	S	*	7/1965	Cave et al.	D9/425
D211,486	S	*	6/1968	Wildgen et al.	D7/586
D227,226	S	*	6/1973	Bird et al.	D9/425
D241,821	S	*	10/1976	Jewell et al.	D9/431
D249,491	S	*	9/1978	Bernhardt	D9/425
4,339,041	A	*	7/1982	Roberts et al.	229/222
4,483,455	A	*	11/1984	Prophet et al.	220/23.83
D285,514	S	*	9/1986	Ritman	D7/354
D289,719	S	*	5/1987	Daenen et al.	D7/392.1

D306,405	S	*	3/1990	Kuerti	D9/424
4,966,297	A	*	10/1990	Doty	220/23.83
D341,539	S	*	11/1993	Davis et al.	D9/430
D384,555	S	*	10/1997	Bradley	D7/545
5,676,276	A	*	10/1997	Zielinski et al.	220/657
D392,881	S	*	3/1998	Bulcher et al.	D9/425
D392,883	S	*	3/1998	Ferrin	D9/430
D400,099	S	*	10/1998	Brauner et al.	D9/431
D402,850	S	*	12/1998	Davis et al.	D7/550.1
D438,064	S	*	2/2001	Indekeu	D7/586
D439,161	S	*	3/2001	Rondolino	D9/430
D445,633	S	*	7/2001	Bradley	D7/360
D455,318	S	*	4/2002	Miller	D7/602
D470,411	S	*	2/2003	Menceles	D9/425
D477,187	S	*	7/2003	McCallister et al.	D7/545
D517,366	S	*	3/2006	Oztiryaki	D7/354

* cited by examiner

Primary Examiner—Ian Simmons

Assistant Examiner—Charles Hanson

(74) *Attorney, Agent, or Firm*—Foley & Lardner LLP

(57) **CLAIM**

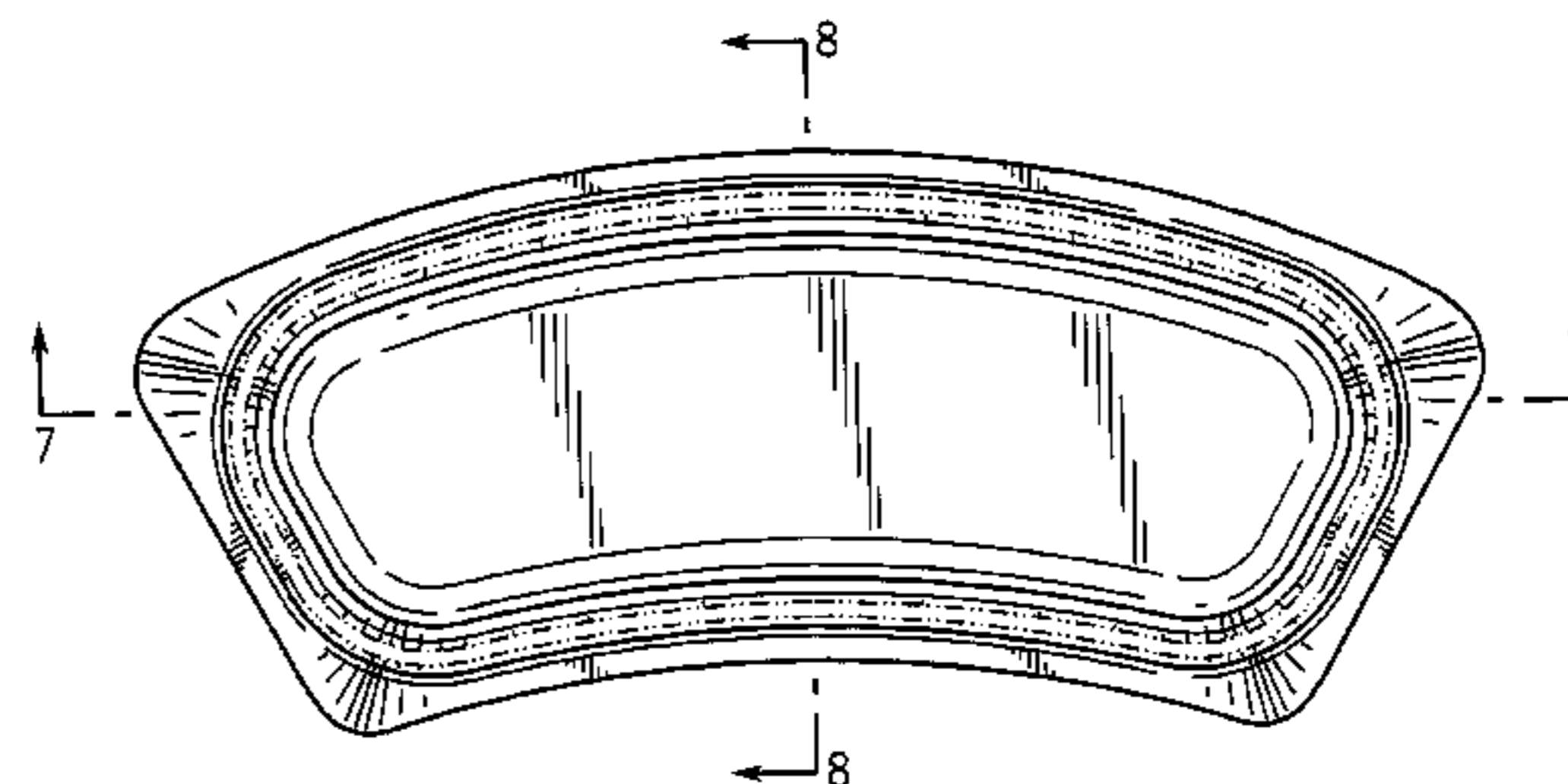
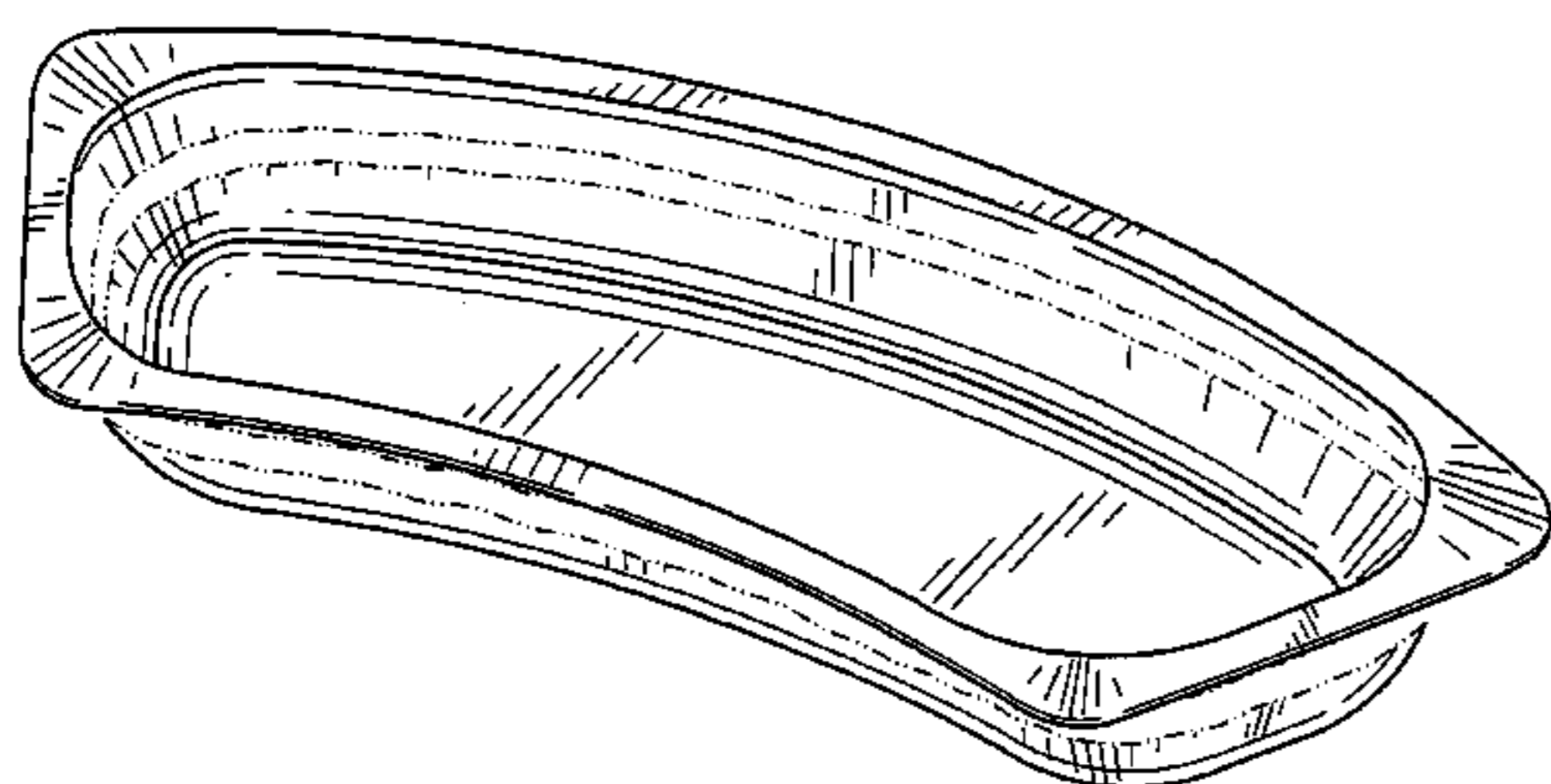
We claim the ornamental design for a food pan, as shown and described.

DESCRIPTION

FIG. 1 is a top perspective view of one example embodiment of a design for a food pan;
FIG. 2 is a top plan view thereof;
FIG. 3 is front elevational view thereof;
FIG. 4 is a left end elevation view thereof, the right end elevational view being a mirror image of the left end elevational view shown;
FIG. 5 is a rear elevational view thereof;
FIG. 6 is a bottom plan view thereof;
FIG. 7 is a sectional view thereof taken along line 7—7 of FIG. 2; and,
FIG. 8 is a section view thereof taken along line 8—8 of FIG. 2.

The ornamental design which is claimed is shown in solid lines in the drawings. The portions in broken lines are shown broken away to indicate no particular height is claimed beyond what is shown in solid lines.

1 Claim, 4 Drawing Sheets



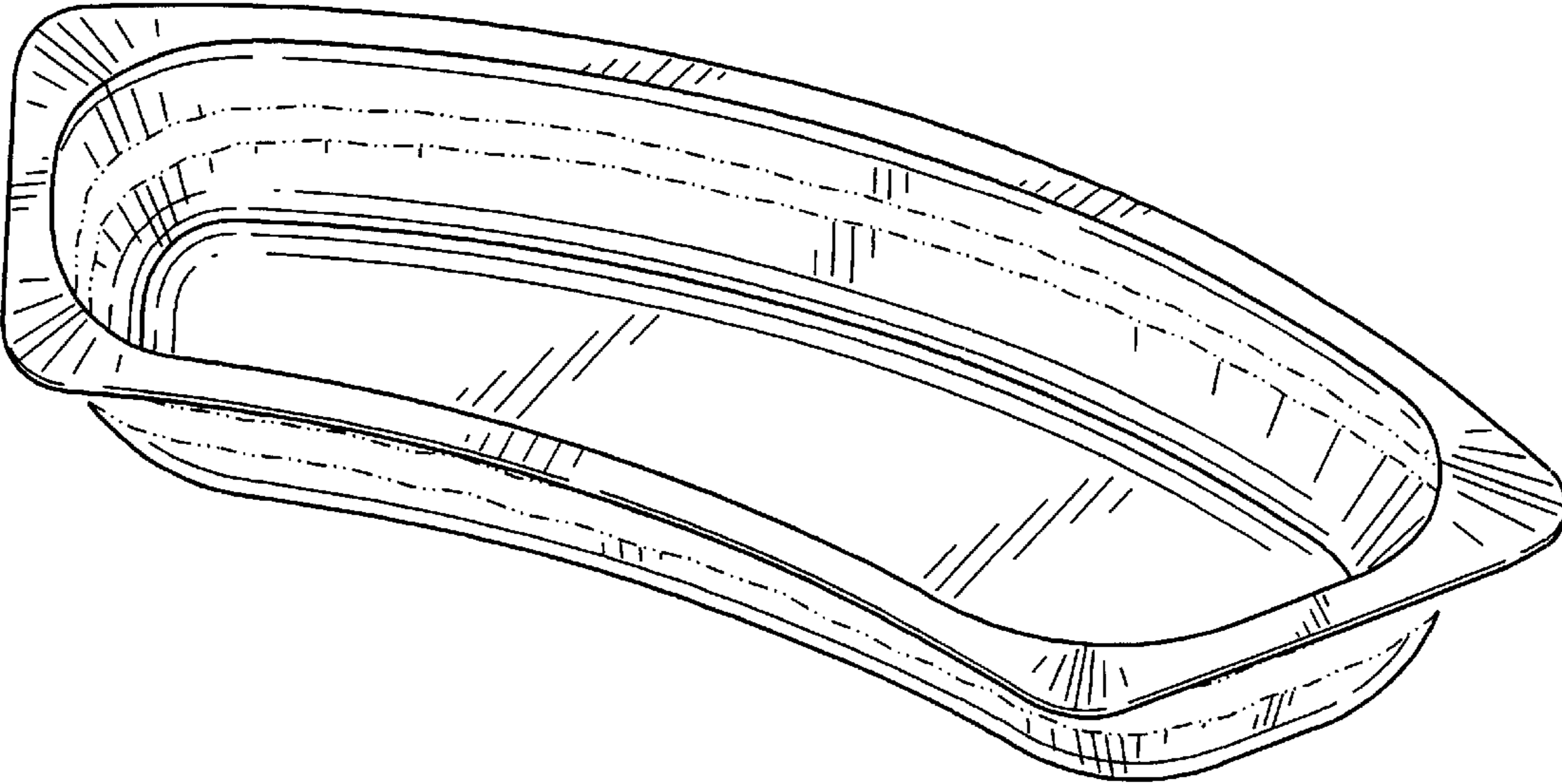


FIG. 1

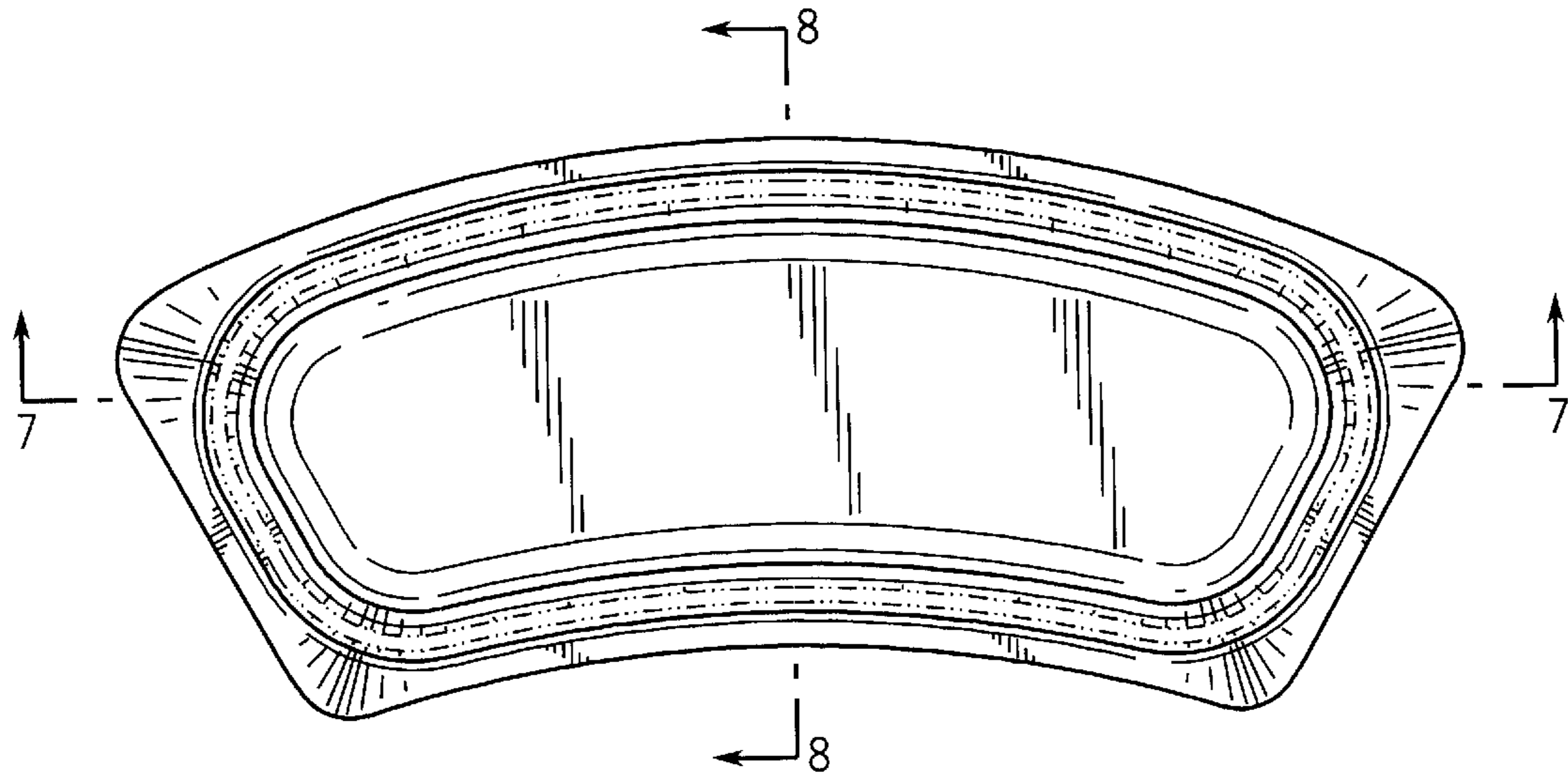


FIG. 2

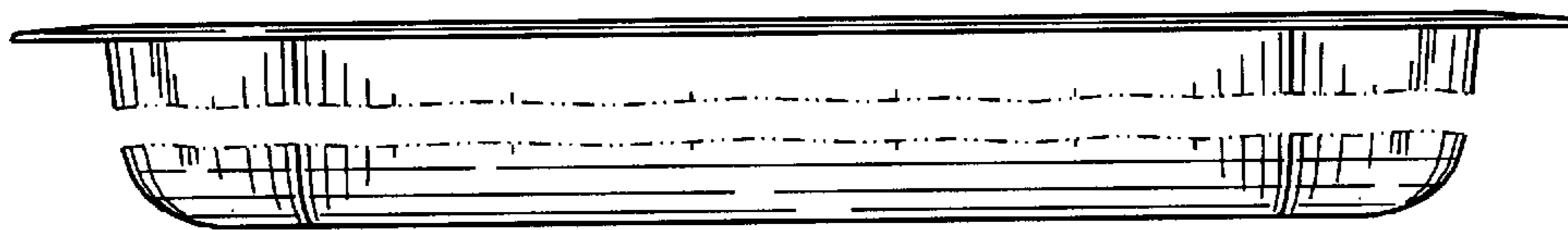


FIG. 3

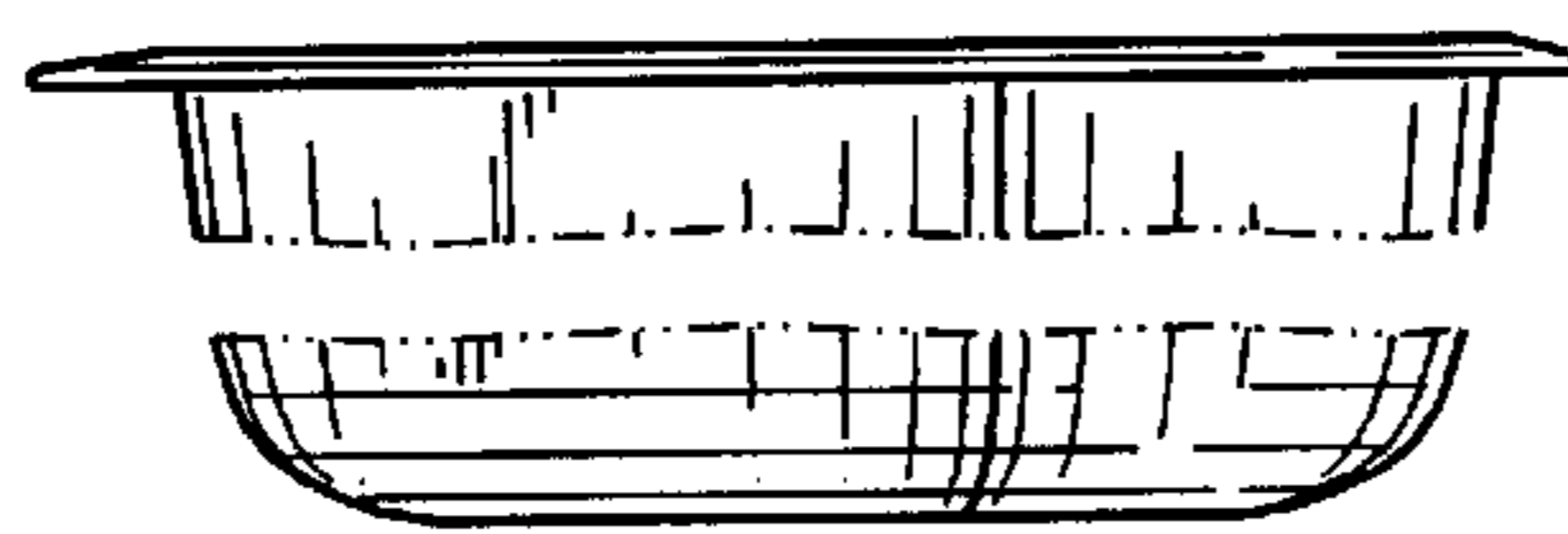


FIG. 4

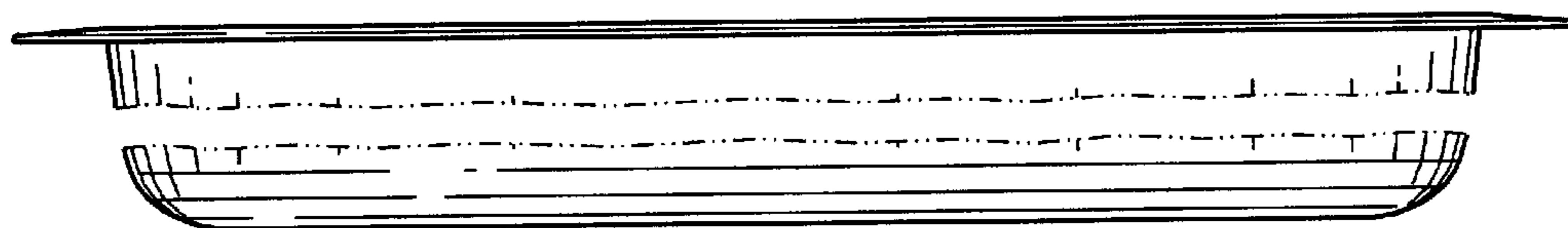


FIG. 5

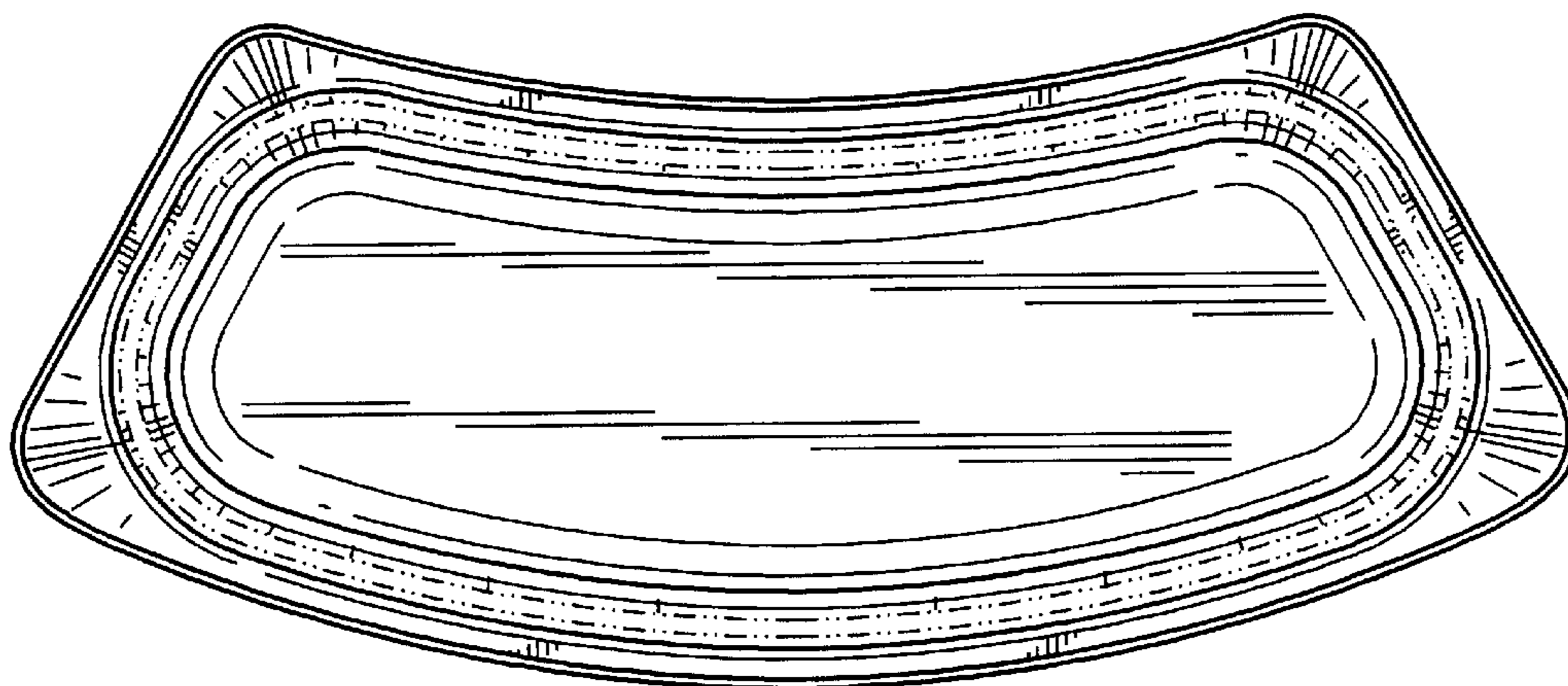


FIG. 6

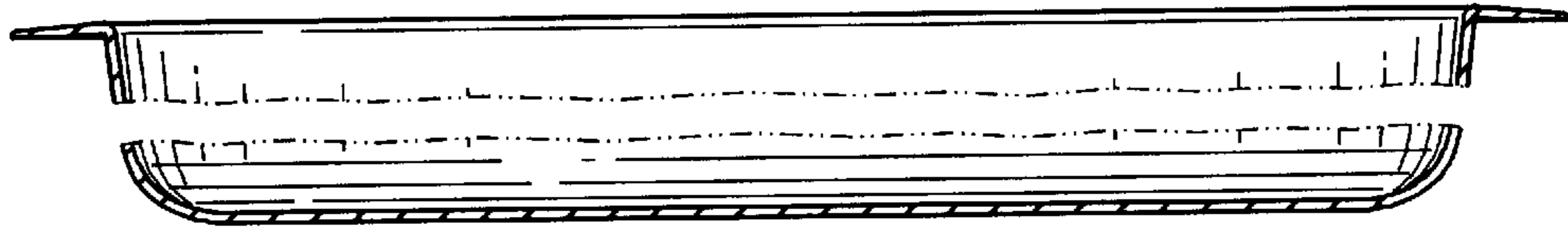


FIG. 7

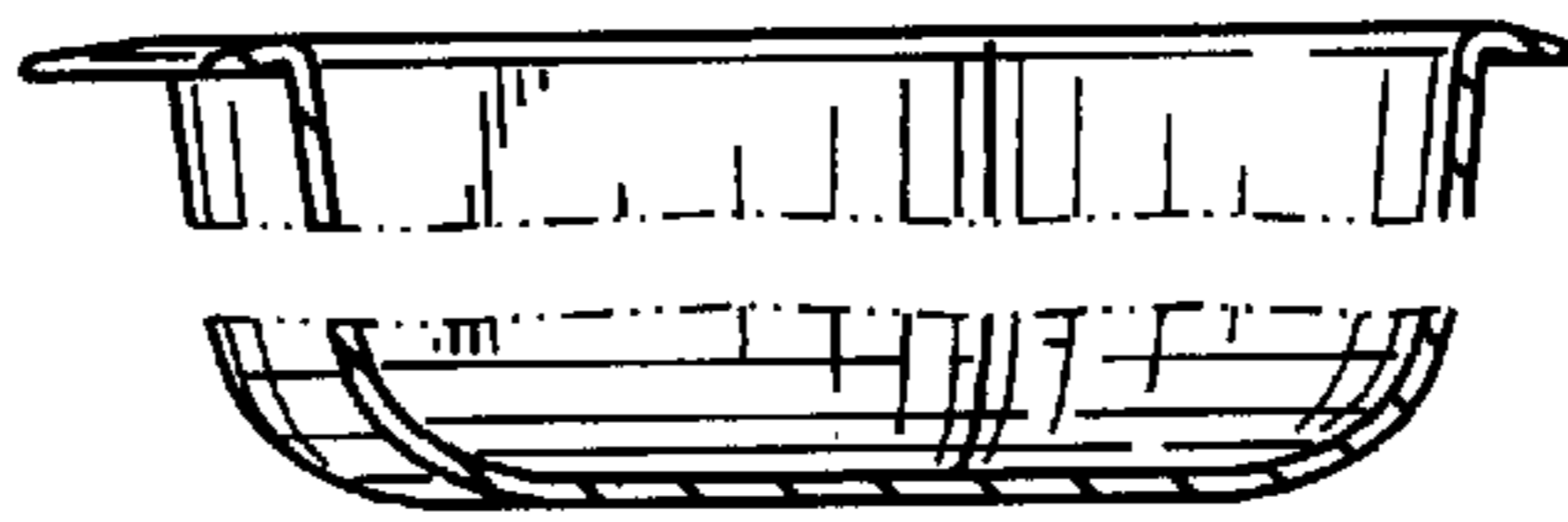


FIG. 8