

US00D541588S

(12) **United States Design Patent**  
**McKenzie**

(10) **Patent No.:** **US D541,588 S**

(45) **Date of Patent:** **\*\* May 1, 2007**

(54) **BARBEQUE SHELF**

(75) Inventor: **Stuart T. McKenzie**, Wyevale (CA)

(73) Assignee: **Fiesta Barbeques Limited**, Brampton,  
Ontario (CA)

(\*\*) Term: **14 Years**

(21) Appl. No.: **29/237,513**

(22) Filed: **Sep. 2, 2005**

(30) **Foreign Application Priority Data**

Mar. 4, 2005 (CA) ..... 110257  
Mar. 4, 2005 (CA) ..... 110258  
Jul. 8, 2005 (CA) ..... 111834

(51) **LOC (8) Cl.** ..... **07-02**

(52) **U.S. Cl.** ..... **D7/402**

(58) **Field of Classification Search** ..... D7/332-338,  
D7/339-340, 347-348, 402-405; 99/339-340,  
99/420, 421 A, 421 H, 421 M, 422, 423,  
99/427, 443 C, 441, 443 R, 445, 447-448,  
99/482, 450; 126/4, 9 R, 25 R, 25 A, 25 AA,  
126/30, 37 R, 37 B, 40, 41 R, 50, 276, 300,  
126/332, 334; D23/286; D6/511, 574; 248/235,  
248/129; 211/134-135, 153

See application file for complete search history.

(56) **References Cited**

**U.S. PATENT DOCUMENTS**

D377,734 S \* 2/1997 Bird et al. .... D7/402

D435,396 S \* 12/2000 Wagner ..... D7/402  
D436,004 S \* 1/2001 Wagner ..... D7/402  
D462,234 S \* 9/2002 Alden et al. .... D7/402  
D470,357 S \* 2/2003 Home ..... D7/334  
D472,422 S \* 4/2003 Pai ..... D7/334  
D472,756 S \* 4/2003 Pai ..... D7/334  
D521,308 S \* 5/2006 Tseng ..... D7/334  
2002/0020303 A1 \* 2/2002 Johnson ..... 99/339  
2002/0020405 A1 \* 2/2002 Coleman et al. .... 126/41 R  
2003/0029436 A1 \* 2/2003 Carden et al. .... 126/41 R  
2004/0154608 A1 \* 8/2004 Ward et al. .... 126/41 R

\* cited by examiner

*Primary Examiner*—Ruth McInroy

(74) *Attorney, Agent, or Firm*—McCarthy Tétrault LLP;  
Christopher N. Hunter

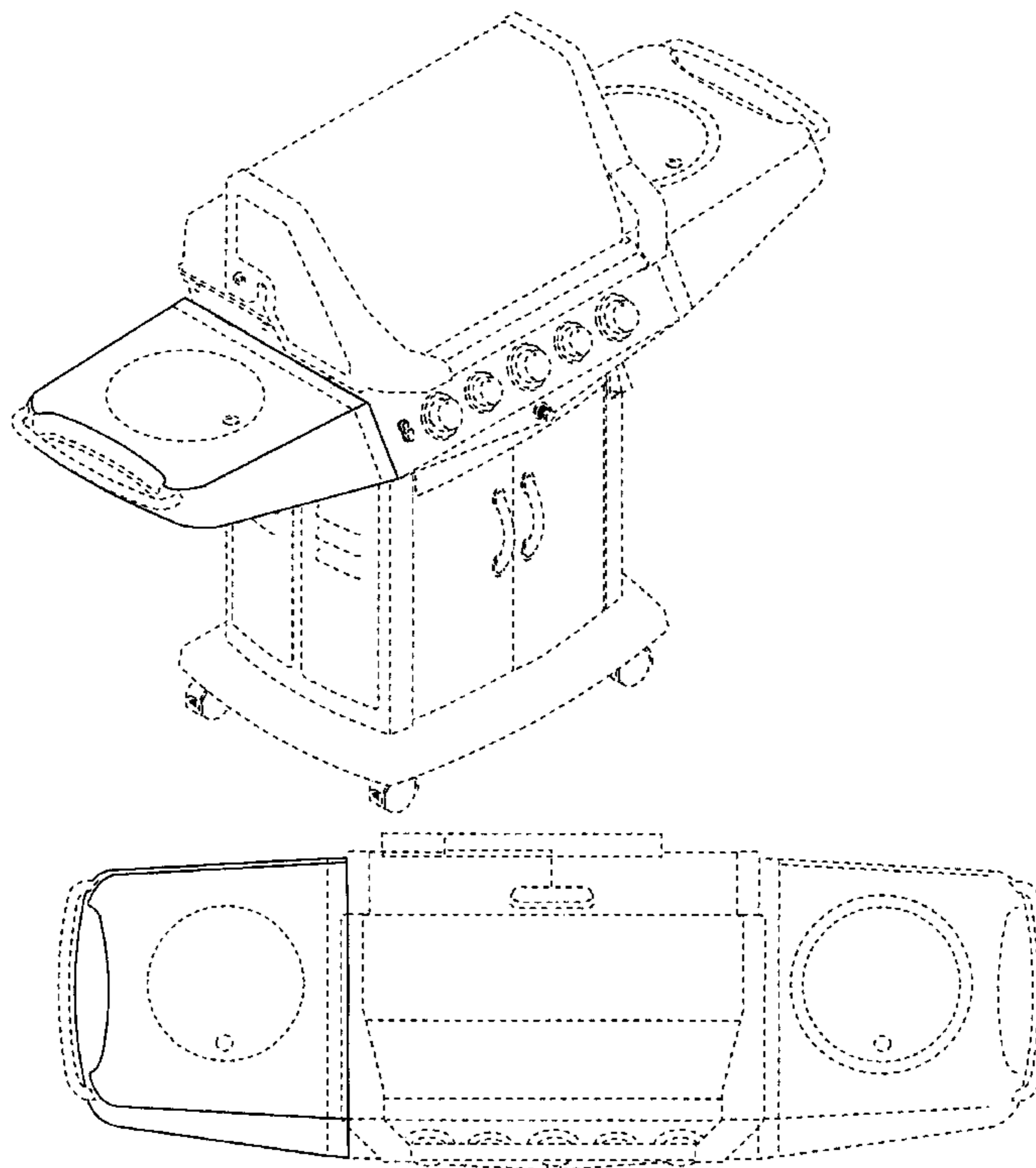
(57) **CLAIM**

The ornamental design for barbeque shelf, as shown and described.

**DESCRIPTION**

FIG. 1 is an isometric view of a barbeque shelf;  
FIG. 2 is a front view of the barbeque shelf of FIG. 1;  
FIG. 3 is a top view of the barbeque shelf of FIG. 1; and,  
FIG. 4 is an end view of the barbeque shelf of FIG. 1.  
The details shown in broken lines form no part of the claimed design.

**1 Claim, 4 Drawing Sheets**



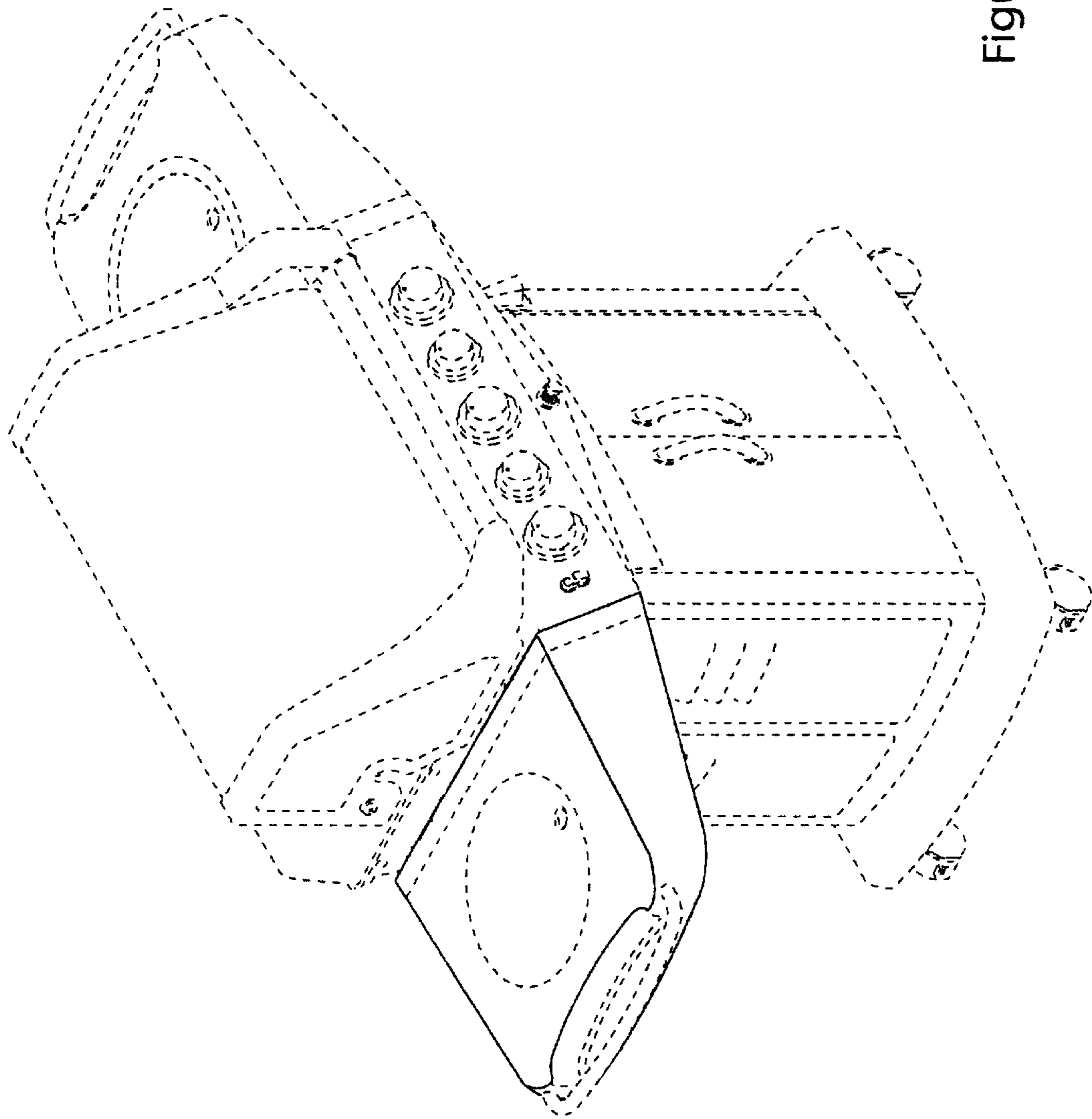


Figure 1

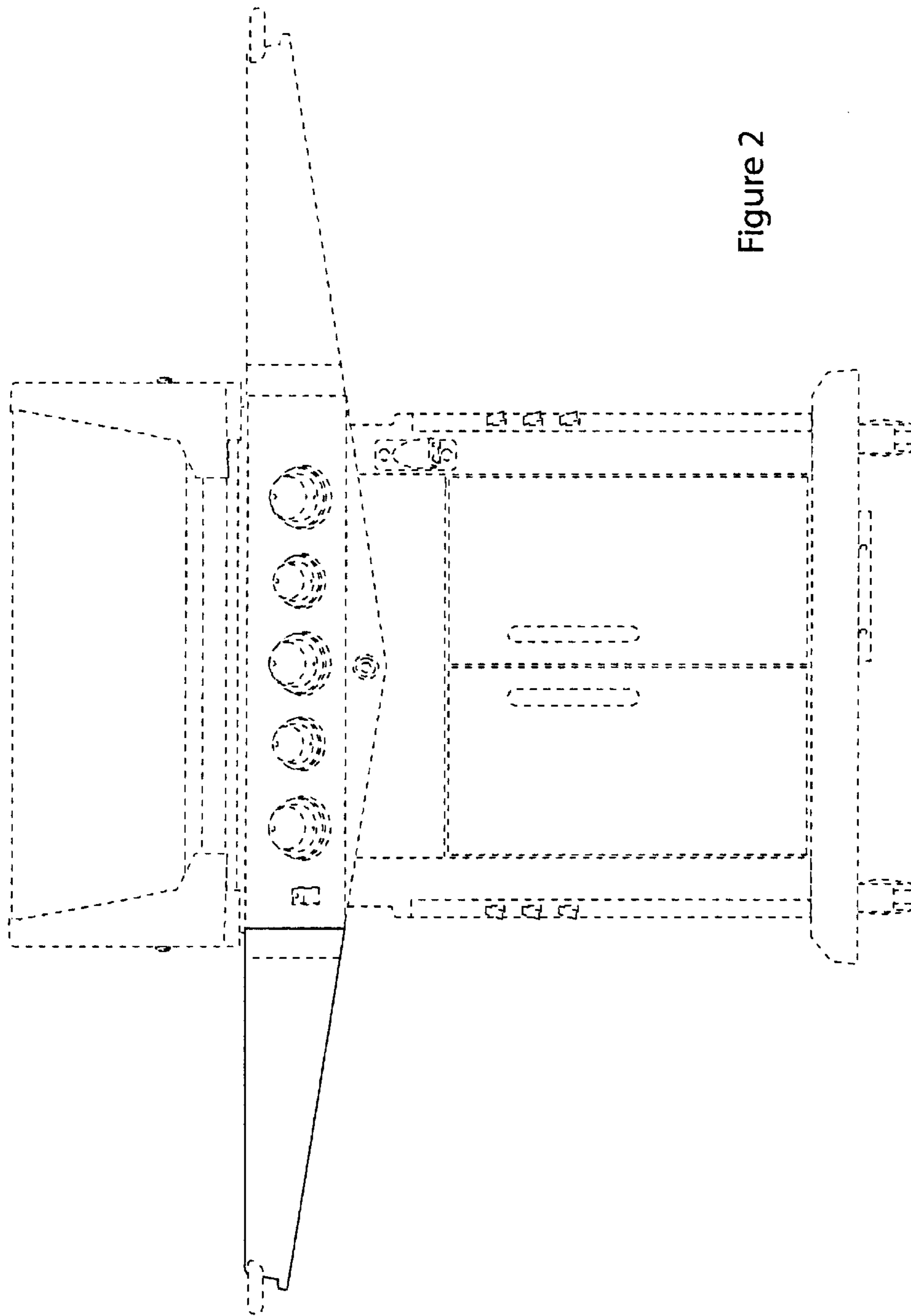


Figure 2

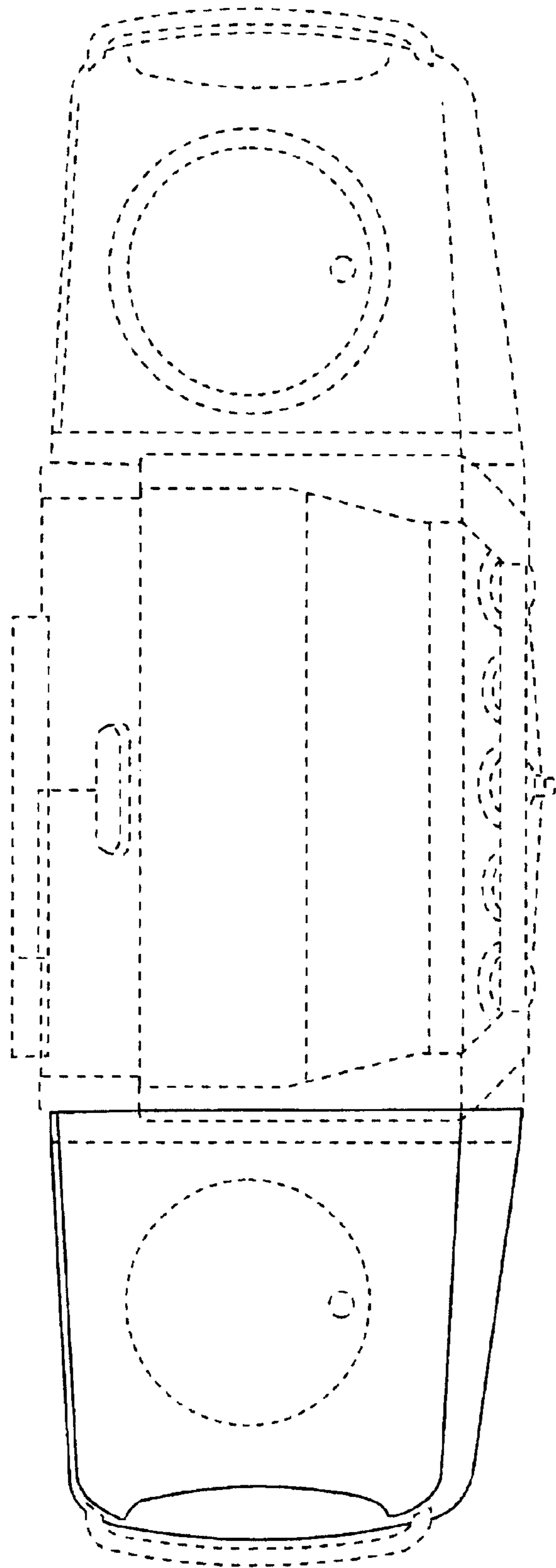


Figure 3

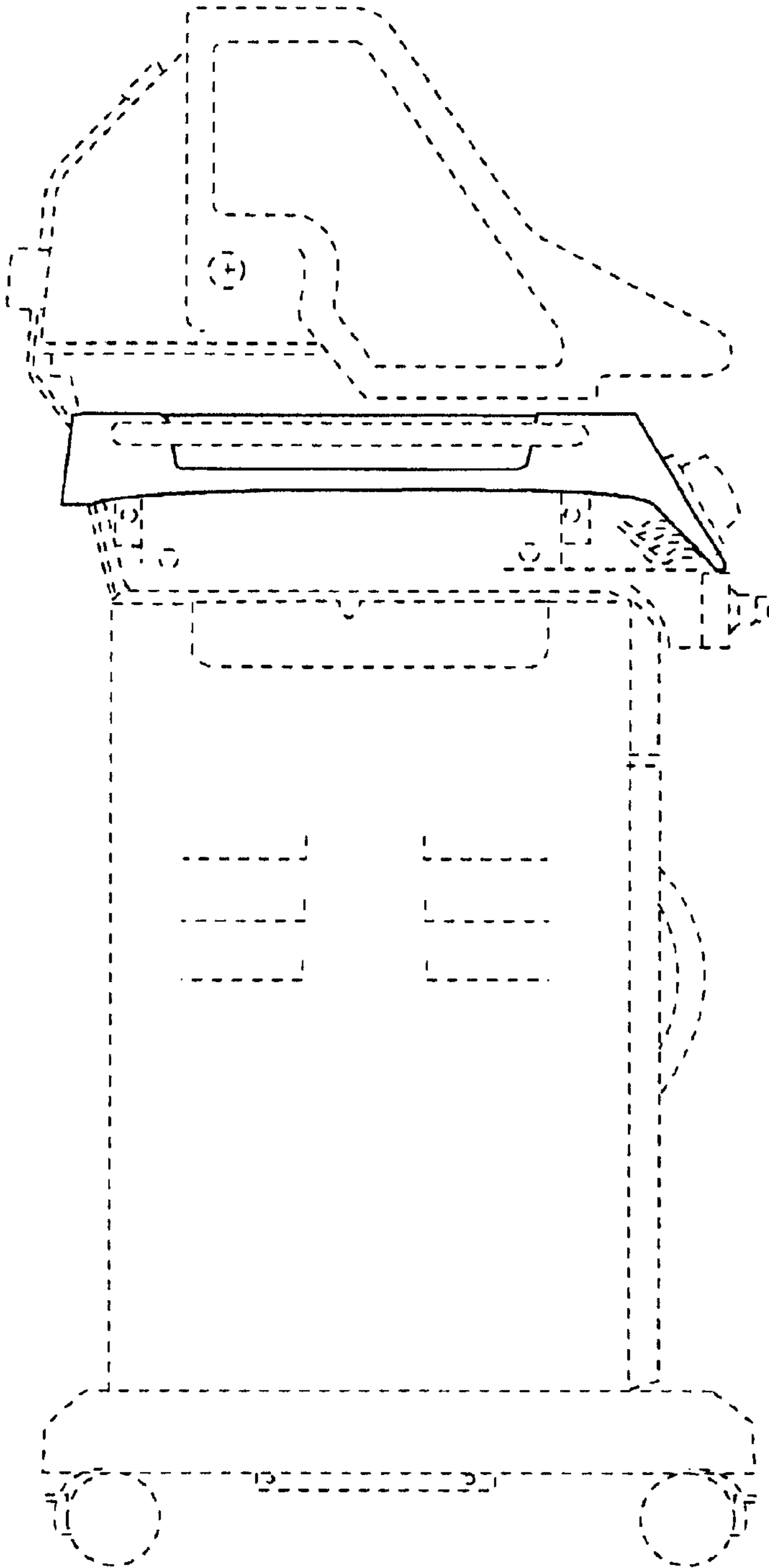


Figure 4