



US00D541586S

(12) **United States Design Patent**
Feil

(10) **Patent No.:** **US D541,586 S**

(45) **Date of Patent:** **** *May 1, 2007**

(54) **FOOD PROCESSOR**

(75) Inventor: **Rolf Feil**, Gunzburg (DE)

(73) Assignee: **BSH Bosch und Siemens Hausgeraete GmbH**, Munich (DE)

(*) Notice: This patent is subject to a terminal disclaimer.

(**) Term: **14 Years**

(21) Appl. No.: **29/217,275**

(22) Filed: **Nov. 15, 2004**

(30) **Foreign Application Priority Data**

May 14, 2004 (EM) 000174768

(51) **LOC (8) Cl.** **31-00**

(52) **U.S. Cl.** **D7/384**

(58) **Field of Classification Search** D7/375-386,
D7/412-414, 665; D9/339, 432; 99/331,
99/337, 348, 492, 509-511; 215/222; 241/30,
241/33, 37.5, 101.01, 101.1, 101.2, 166-169,
241/282.1, 282.2, 291, 292.1; 312/138.1,
312/293.1, 293.2, 293.3, 326, 327; 366/64-67,
366/98-100, 129, 130, 146, 192, 197-201,
366/205-207, 214, 219-221, 241-254, 279-282,
366/318, 325.3, 325.92, 325.93, 325.94,
366/327.2, 328.2, 329.1, 330.1, 330.2, 330.3,
366/330.4, 330.5, 341-343, 347

See application file for complete search history.

(56) **References Cited**

U.S. PATENT DOCUMENTS

D189,936 S * 3/1961 Grange D7/379
3,224,743 A * 12/1965 Freedman et al. 366/200
D255,757 S * 7/1980 Feil D7/386
D265,166 S * 6/1982 Ernest et al. D7/386
D279,858 S * 7/1985 Janssens D7/412

D282,902 S * 3/1986 Rawson et al. D8/34
D284,633 S * 7/1986 Viancin D7/379
D285,404 S * 9/1986 Wang D7/377
D286,258 S * 10/1986 Grange D7/379
D291,271 S * 8/1987 Wilson D7/379
D294,448 S * 3/1988 Otto D7/368
4,900,160 A * 2/1990 Brooks et al. 366/347
D314,883 S * 2/1991 Naft D7/379
D315,473 S * 3/1991 Copland D7/379
D344,208 S * 2/1994 Musseau D7/376
D366,182 S * 1/1996 Hsieh D7/376
D372,162 S * 7/1996 Ivy D7/379
D384,548 S * 10/1997 Hsieh D7/376
D387,245 S * 12/1997 Hippen et al. D7/379
D387,610 S * 12/1997 Hippen et al. D7/379
D388,447 S * 12/1997 Otto D15/147
D414,785 S * 10/1999 Norris D15/82
D416,752 S * 11/1999 Leverrier D7/379
6,435,708 B1 * 8/2002 Huang 366/347
D470,717 S * 2/2003 Kaiser D7/379
D473,420 S * 4/2003 Lo et al. D7/376

* cited by examiner

Primary Examiner—Cathron C. Brooks

Assistant Examiner—Ricky Pham

(74) *Attorney, Agent, or Firm*—Russell W. Warnock; Craig J. Loest

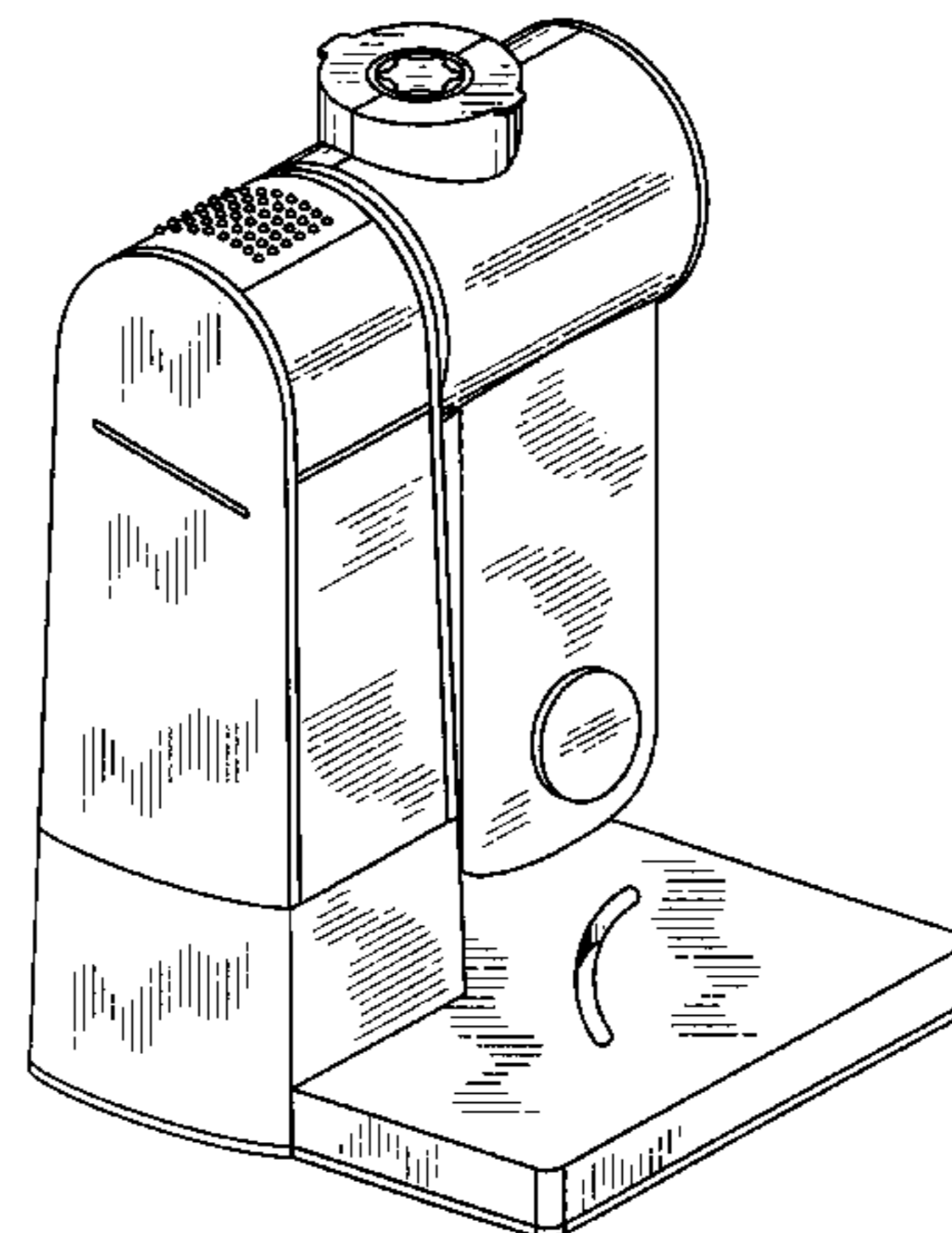
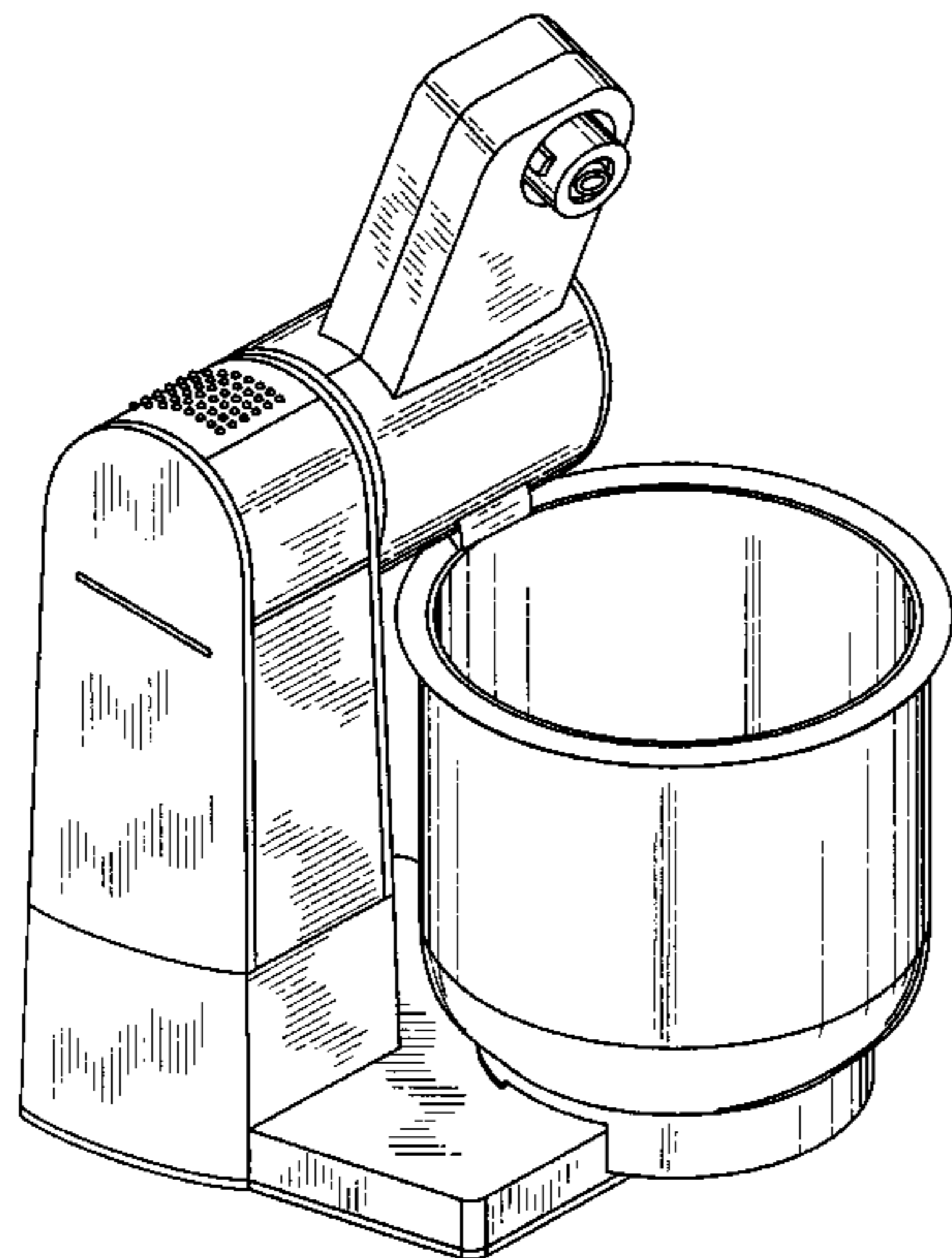
(57) **CLAIM**

The ornamental design for a food processor, as shown and described.

DESCRIPTION

FIG. 1 is a perspective view of a food processor showing my ornamental food processor design; FIG. 2 is a second perspective view of the food processor embodiment shown in FIG. 1, and shown without the mixing bowl for completeness of illustration; and, FIG. 3 is a third perspective view of the food processor embodiment shown in FIG. 1 in a folded storage position.

1 Claim, 3 Drawing Sheets



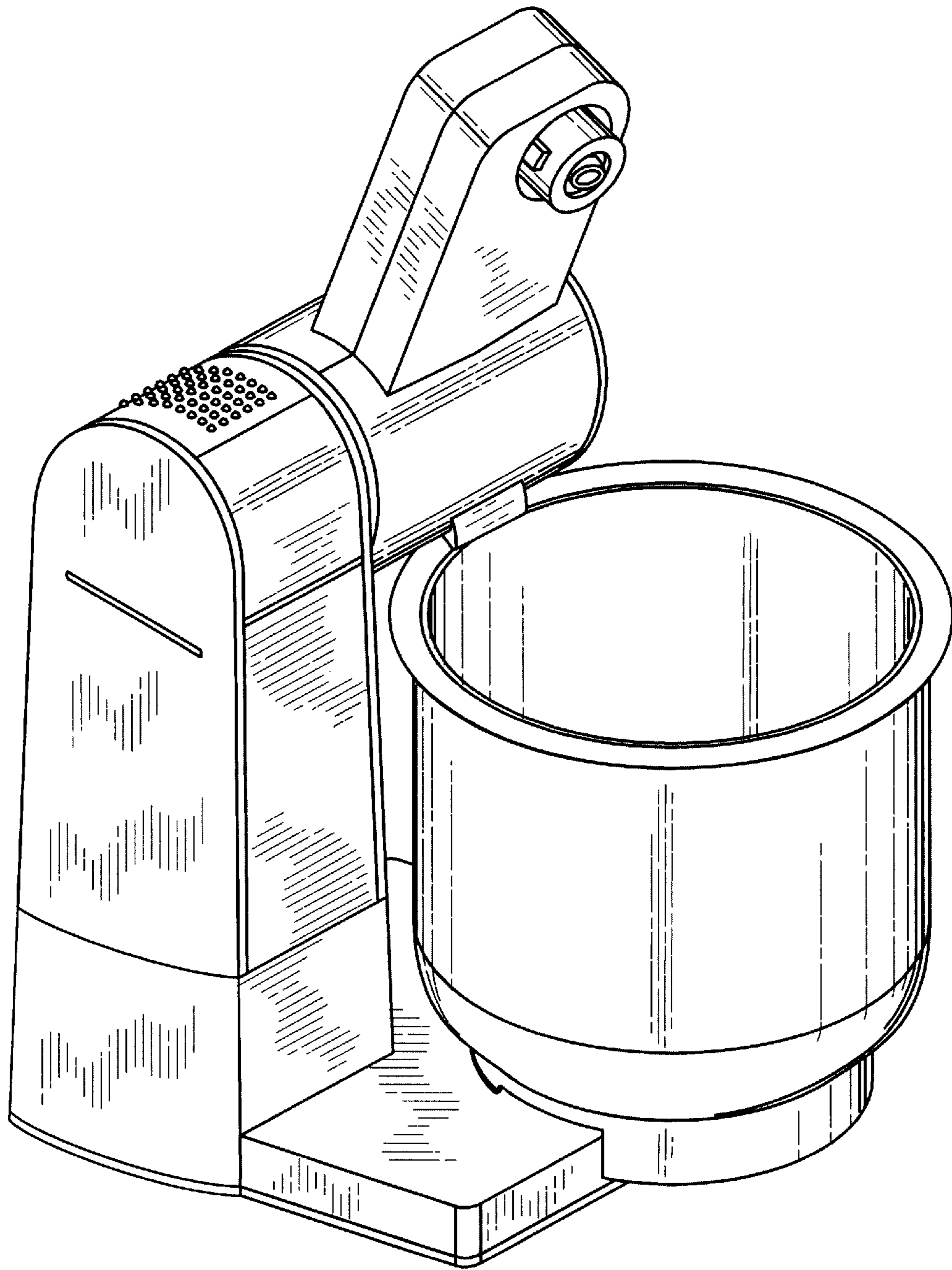


FIG. 1

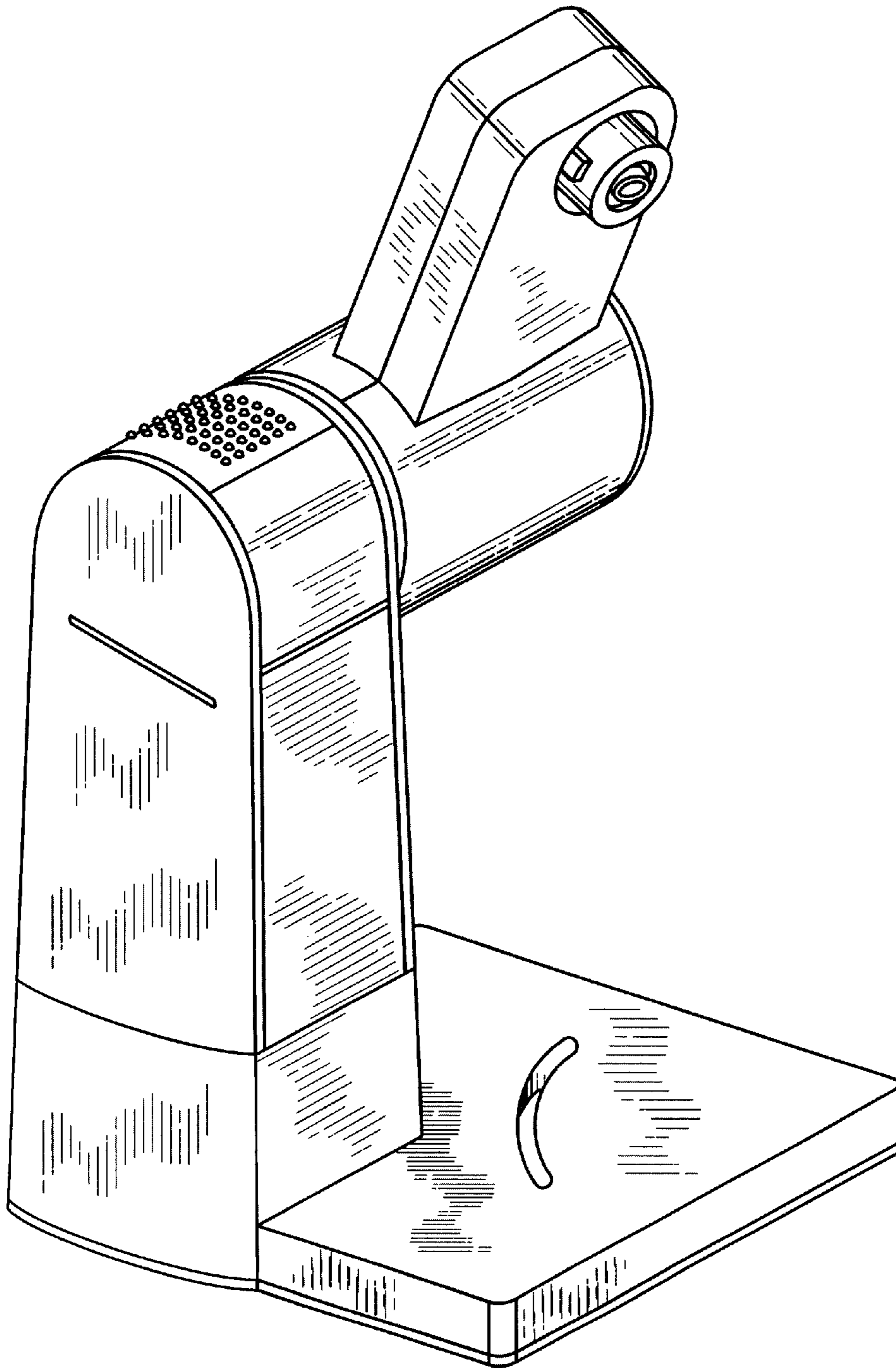


FIG. 2

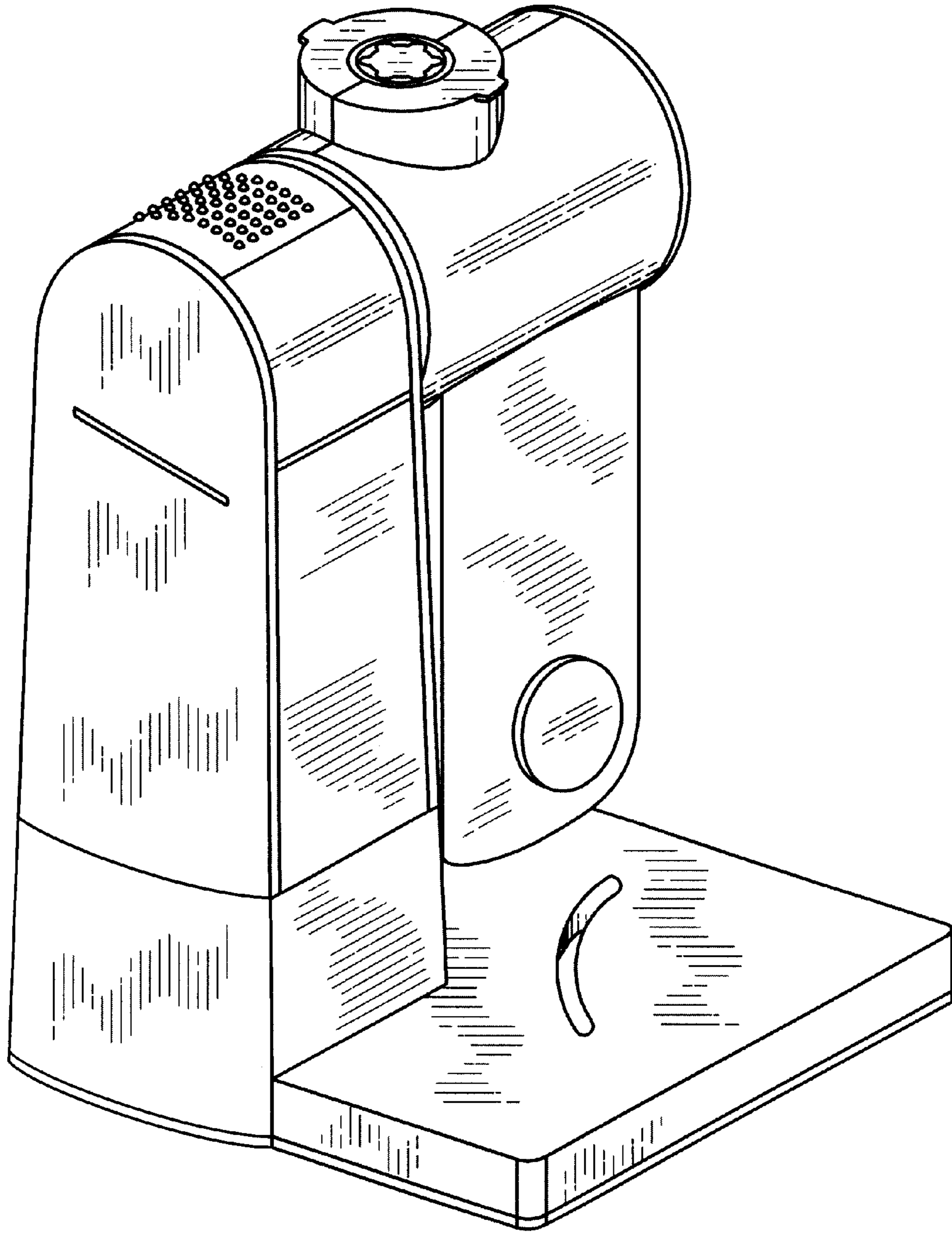


FIG. 3