

US00D541585S

(12) **United States Design Patent**
Lee

(10) **Patent No.:** **US D541,585 S**

(45) **Date of Patent:** **** May 1, 2007**

(54) **ELECTRIC COOKING STOVE**

(76) Inventor: **Ming-Tsung Lee**, P.O. Box 90, Tainan City 70499 (TW)

(**) Term: **14 Years**

(21) Appl. No.: **29/237,743**

(22) Filed: **Sep. 7, 2005**

(51) **LOC (8) Cl.** **07-02**

(52) **U.S. Cl.** **D7/364**

(58) **Field of Classification Search** D7/355-357, D7/360-367, 402-403, 550.1, 554.3, 554.4, D7/558, 586-587, 305, 624.1, 624.2, 388, D7/326, 332, 337; 127/33, 265, 275 E, 377.1; 219/428, 430, 439, 450.1, 465.1, 429, 432-433, 219/435, 521, 386, 622, 627; 99/339, 359, 99/325, 416, 422-423, 425, 447, 448, 467, 99/483

See application file for complete search history.

(56) **References Cited**

U.S. PATENT DOCUMENTS

- D93,901 S * 11/1934 Von Hessen D7/357
- D272,978 S * 3/1984 Gremponrez et al. D7/357
- D290,083 S * 6/1987 Dricken et al. D7/357
- D322,381 S * 12/1991 Frisbee D7/357

- D349,421 S * 8/1994 Goad D7/366
- 5,381,729 A * 1/1995 Hennessy et al. 99/483
- D358,292 S * 5/1995 Goad D7/366
- 5,992,406 A * 11/1999 Lelle 126/33
- D422,837 S * 4/2000 Yamagiwa et al. D7/364
- D441,251 S * 5/2001 Drumm D7/366
- 6,267,111 B1 * 7/2001 Burton 126/268
- 2002/0020304 A1 * 2/2002 Reynolds 99/339
- 2005/0150395 A1 * 7/2005 Olekaibe et al. 99/483

* cited by examiner

Primary Examiner—Ruth McInroy

(57) **CLAIM**

The ornamental design for an electric cooking stove, as shown and described.

DESCRIPTION

FIG. 1 is a perspective view of an electric cooking stove showing my design;

FIG. 2 is a front elevational view thereof;

FIG. 3 is a rear elevational view thereof;

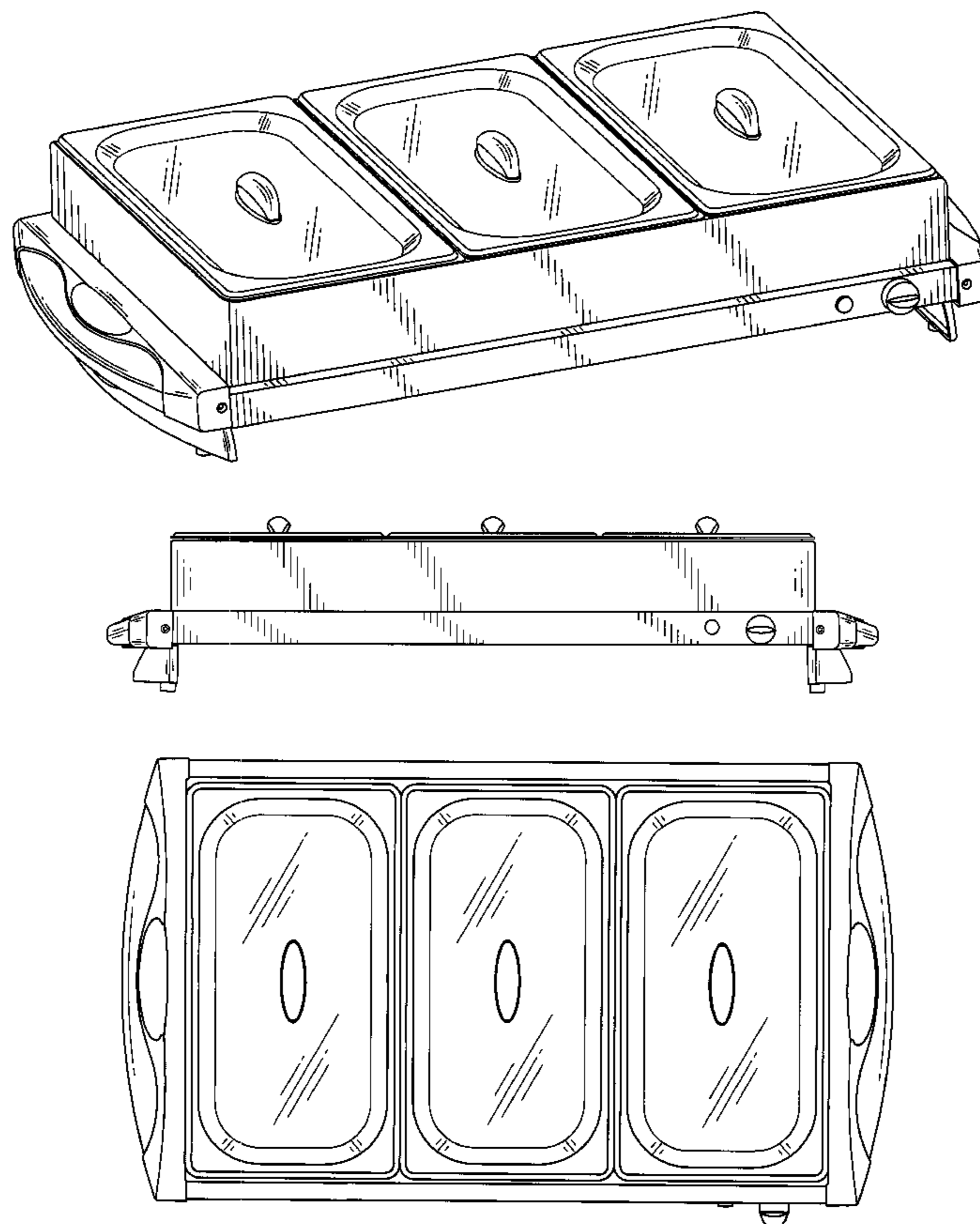
FIG. 4 is a left side elevational view thereof;

FIG. 5 is a right side elevational view thereof;

FIG. 6 is a top plan view thereof; and,

FIG. 7 is a bottom plan view thereof.

1 Claim, 4 Drawing Sheets



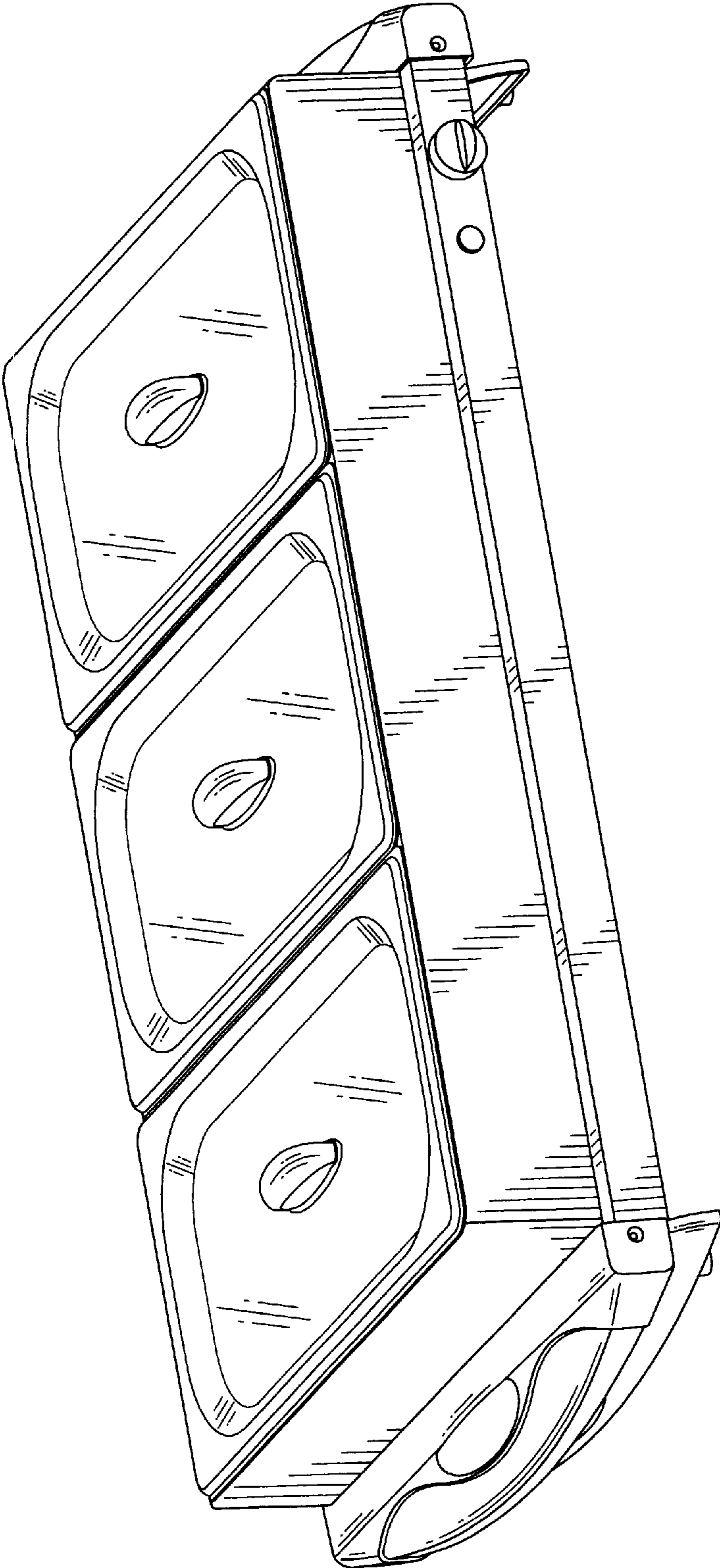


FIG.1

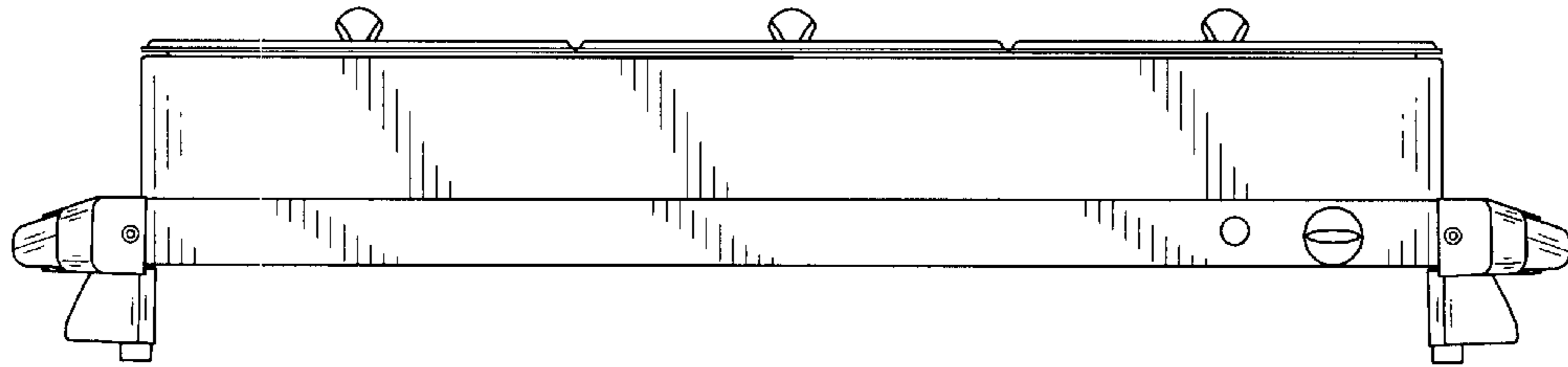


FIG.2

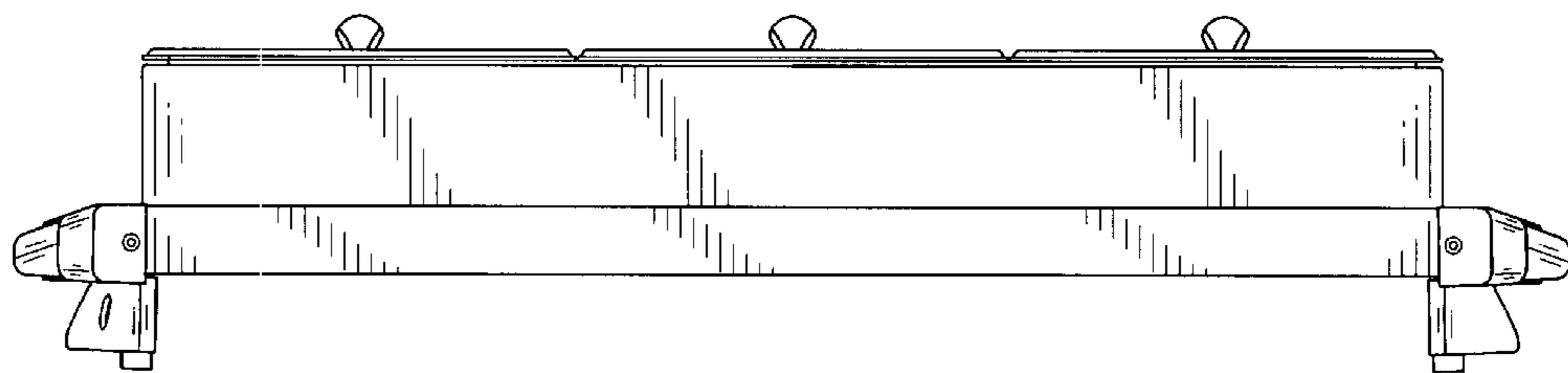


FIG.3

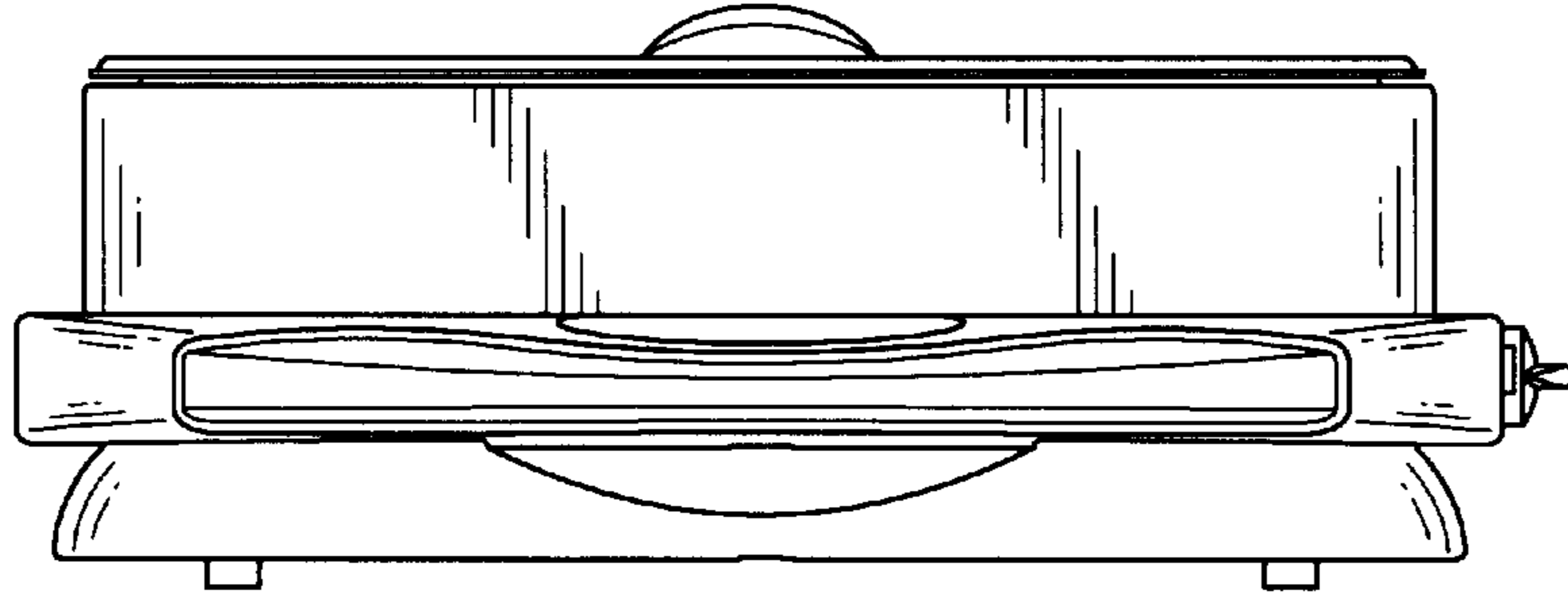


FIG.4

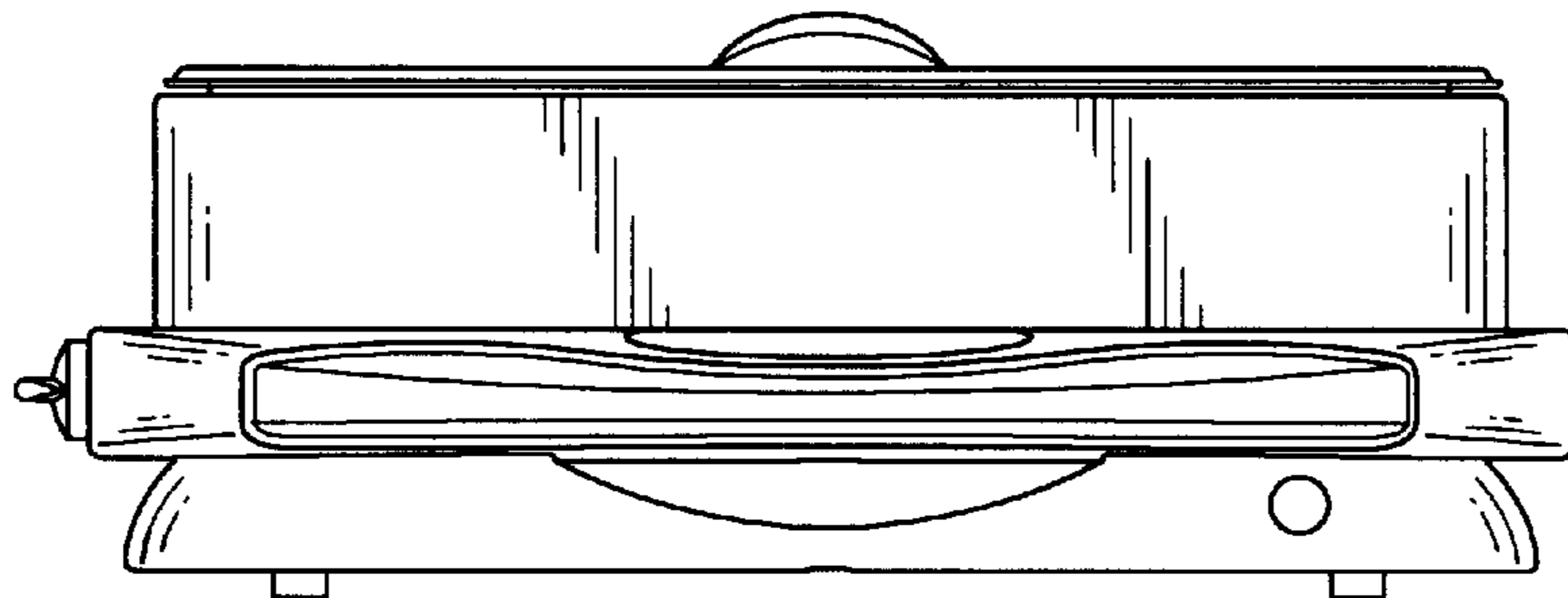


FIG.5

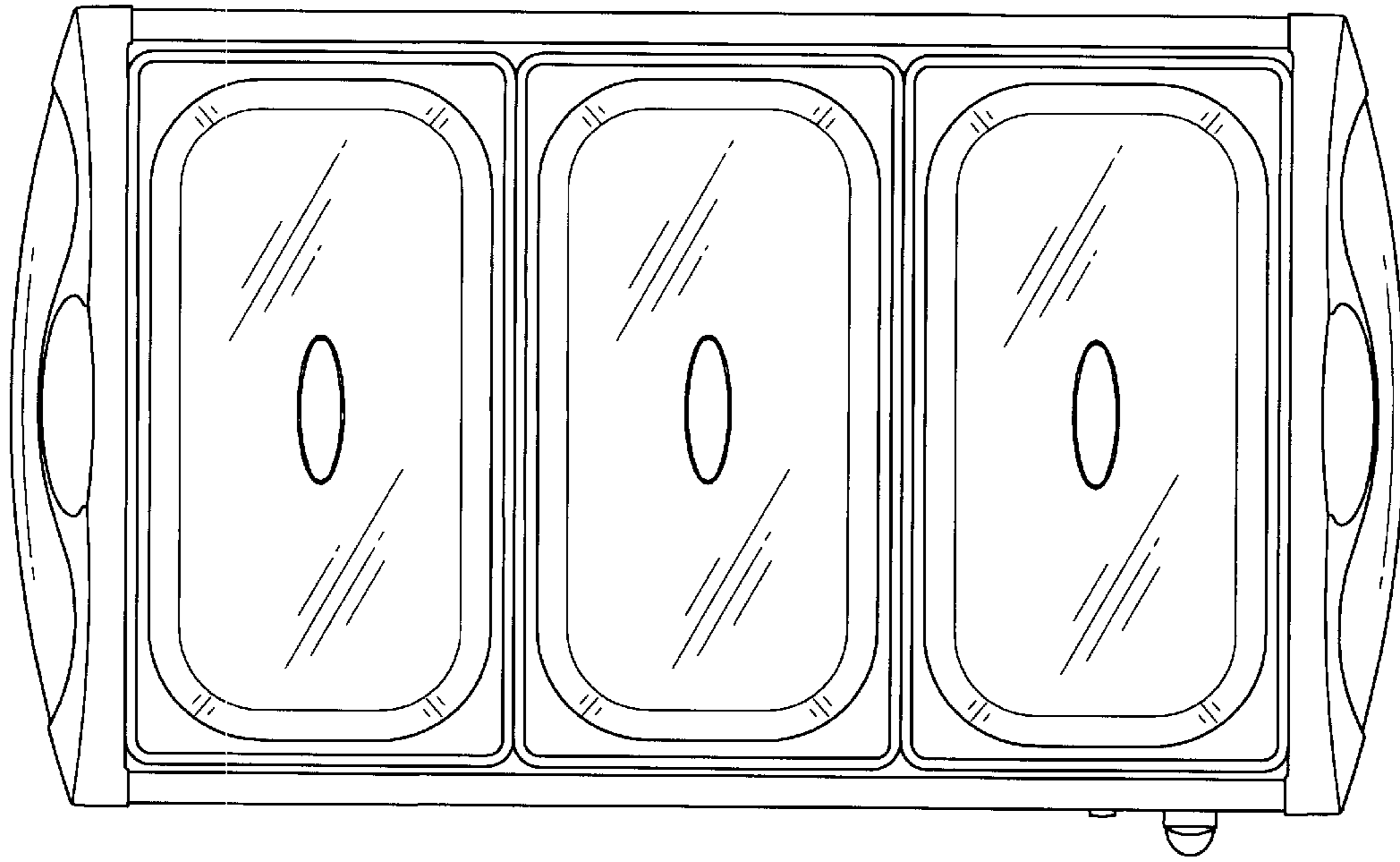


FIG. 6

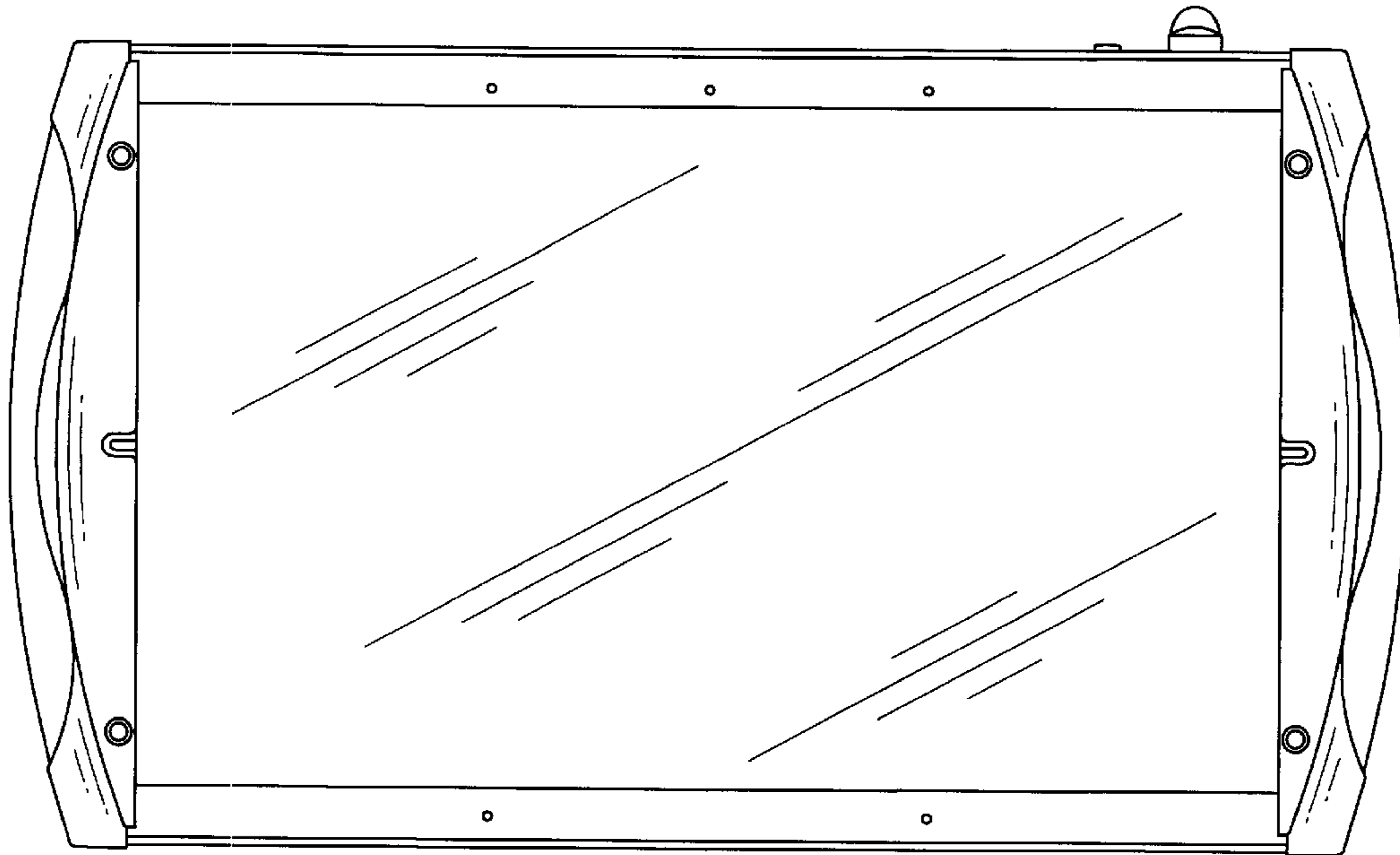


FIG. 7