



US00D541583S

(12) **United States Design Patent**
Morgan

(10) **Patent No.:** **US D541,583 S**

(45) **Date of Patent:** **** May 1, 2007**

(54) **PAN**

(76) **Inventor:** **Fletcher Morgan**, 4990 Coquina Key
Dr., SE., St. Petersburg, FL (US) 33705

(**) **Term:** **14 Years**

(21) **Appl. No.:** **29/259,483**

(22) **Filed:** **May 10, 2006**

(51) **LOC (8) Cl.** **07-02**

(52) **U.S. Cl.** **D7/352**

(58) **Field of Classification Search** D7/323,
D7/328-330, 352-361, 409-411, 391, 393-396,
D7/500; 99/140 R, 324, 339, 345, 422, 424,
99/426, 445; 219/620-622, 725-730; 220/573.1-574,
220/912; 222/146, 572

See application file for complete search history.

(56) **References Cited**

U.S. PATENT DOCUMENTS

63,753	A	*	4/1867	Rusell	99/402
111,516	A	*	2/1871	Colborne et al.	99/400
268,736	A	*	12/1882	Shaw	99/400
951,065	A	*	3/1910	Ferguson	99/400
1,568,798	A	*	1/1926	Caver	220/4.21
2,020,349	A	*	11/1935	Bennett et al.	220/4.21

D157,614	S	*	3/1950	Milano	D7/352
D179,087	S	*	10/1956	Kelso	D7/352
3,007,595	A	*	11/1961	Remley	220/4.22
D233,302	S	*	10/1974	Trovinger	D7/352
D252,493	S	*	7/1979	Barradas	D7/361
D473,416	S	*	4/2003	Bart	D7/352
6,681,683	B2	*	1/2004	Bart	99/424

* cited by examiner

Primary Examiner—Cathron C. Brooks

Assistant Examiner—Ricky Pham

(74) *Attorney, Agent, or Firm*—John S. Hale; Gipple & Hale

(57) **CLAIM**

The ornamental design for a pan, as shown and described.

DESCRIPTION

FIG. 1 is a perspective view of a pan showing my new design;

FIG. 2 is a top plan view of the pan of FIG. 1;

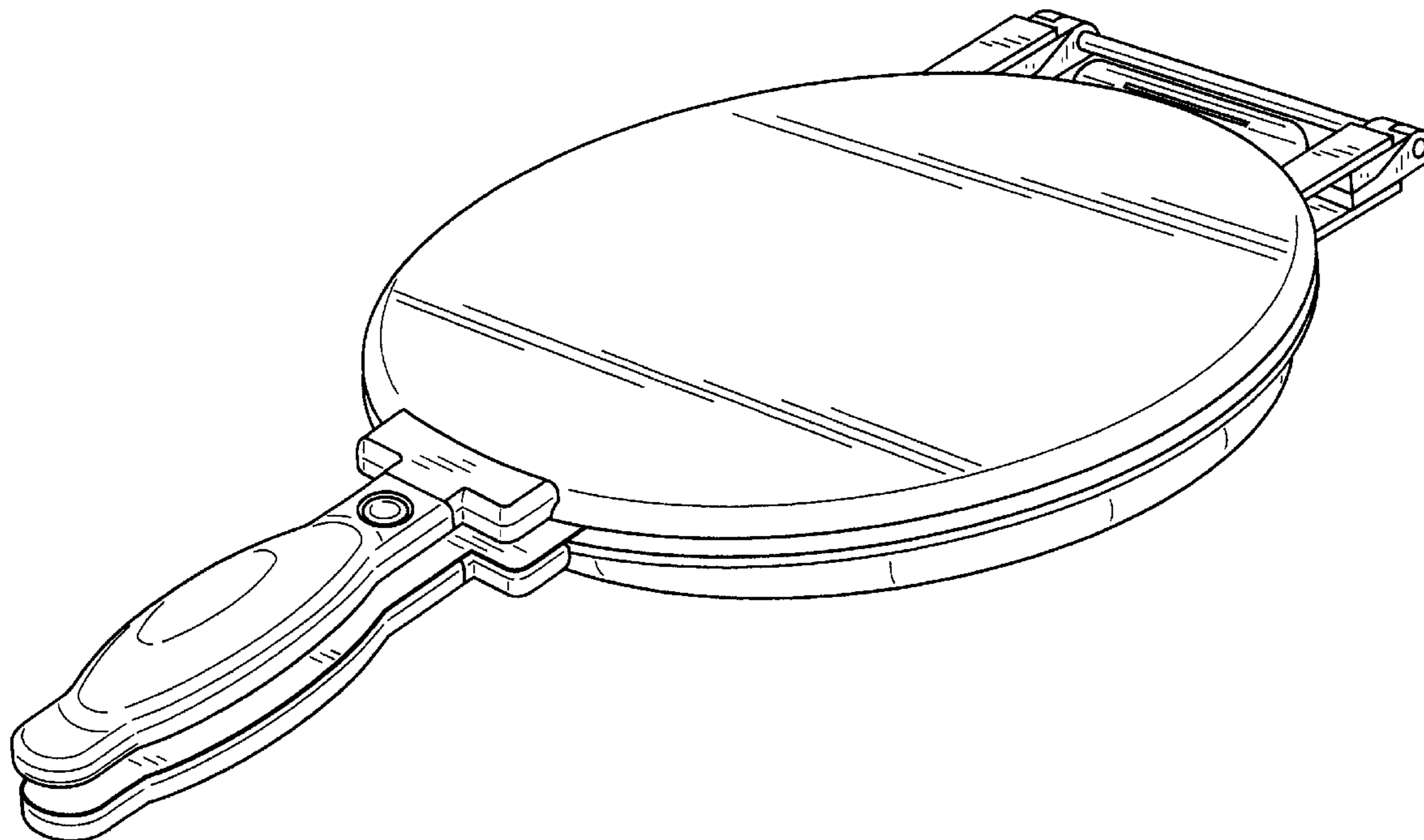
FIG. 3 is a bottom plan view of the pan of FIG. 1;

FIG. 4 is a side elevational view of the pan of FIG. 1, the other side being identical;

FIG. 5 is a front elevational view of the pan of FIG. 1; and,

FIG. 6 is a rear elevational view of the pan of FIG. 1.

1 Claim, 5 Drawing Sheets



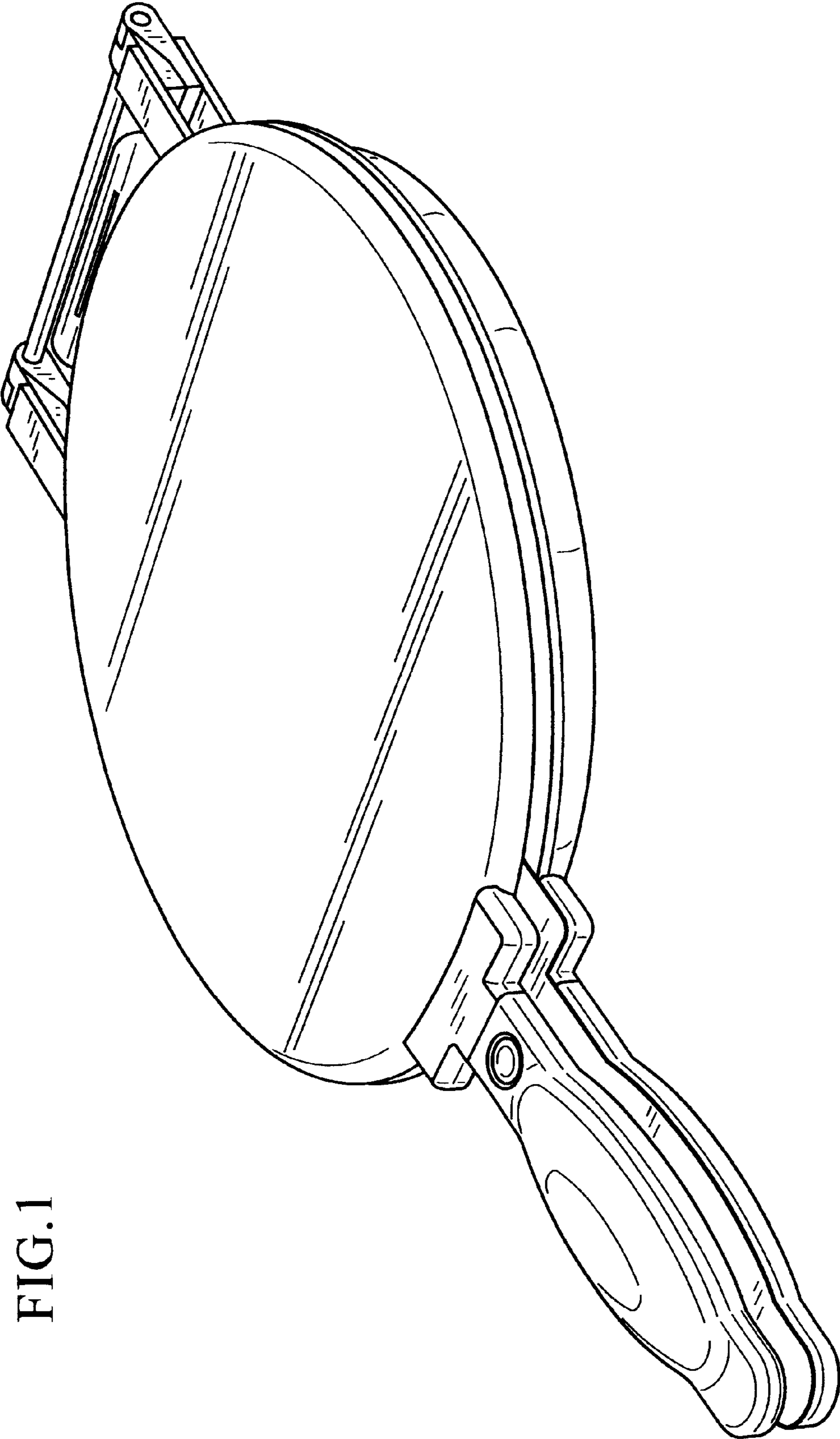


FIG. 1

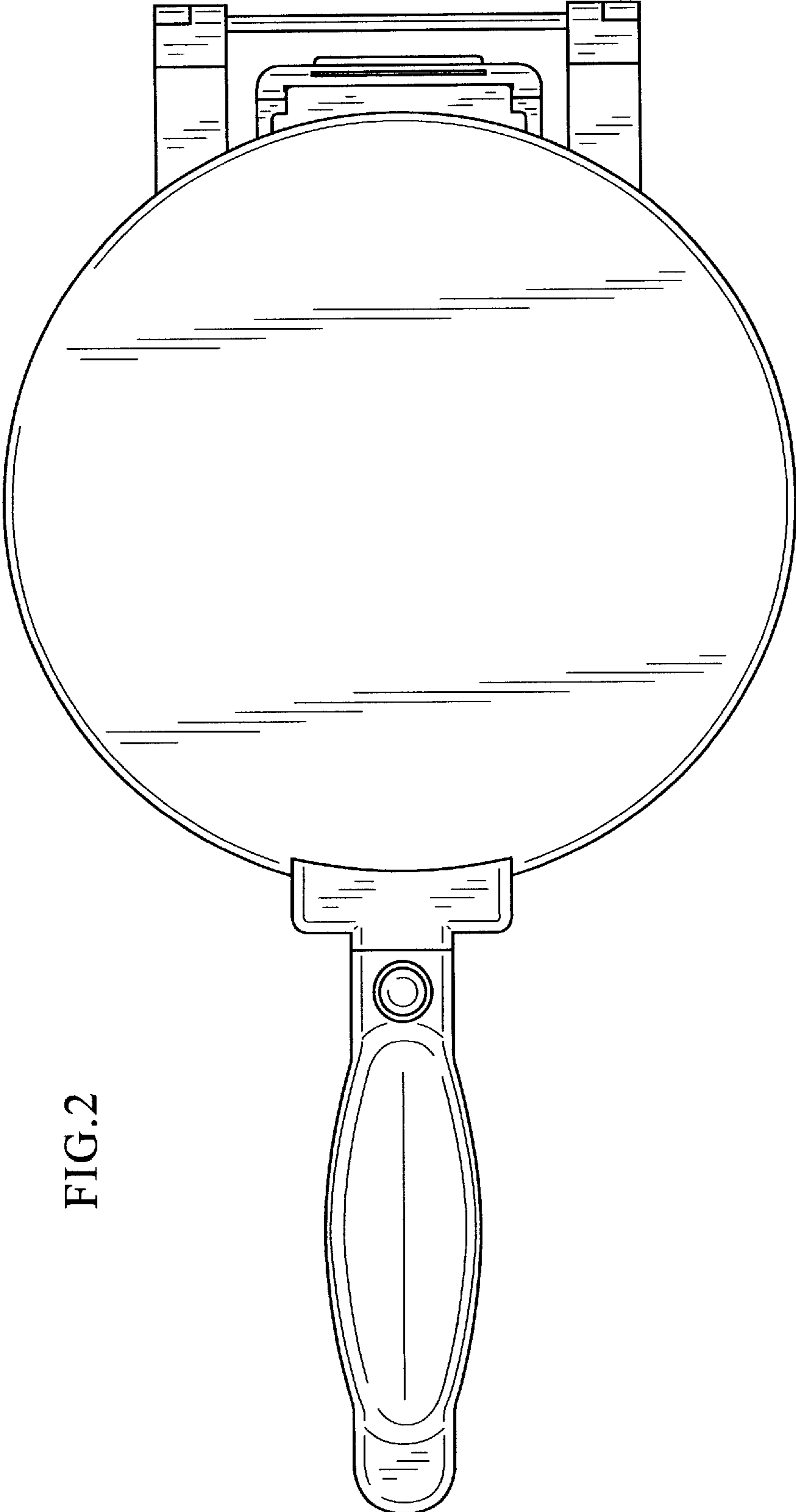


FIG.2

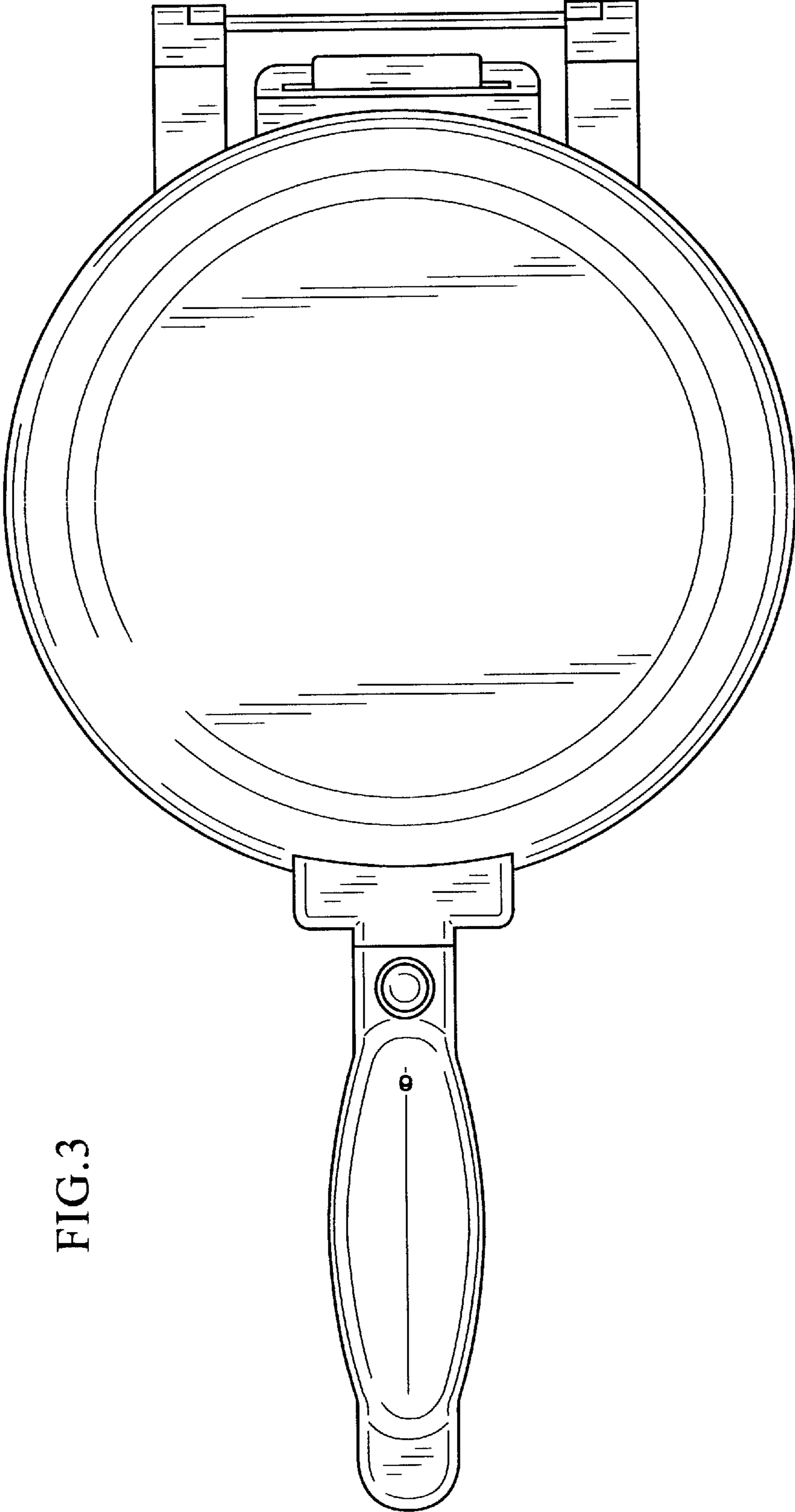


FIG. 3

FIG.4

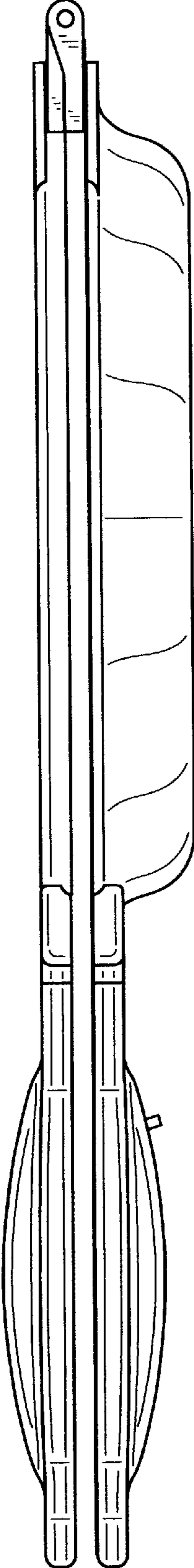


FIG.5

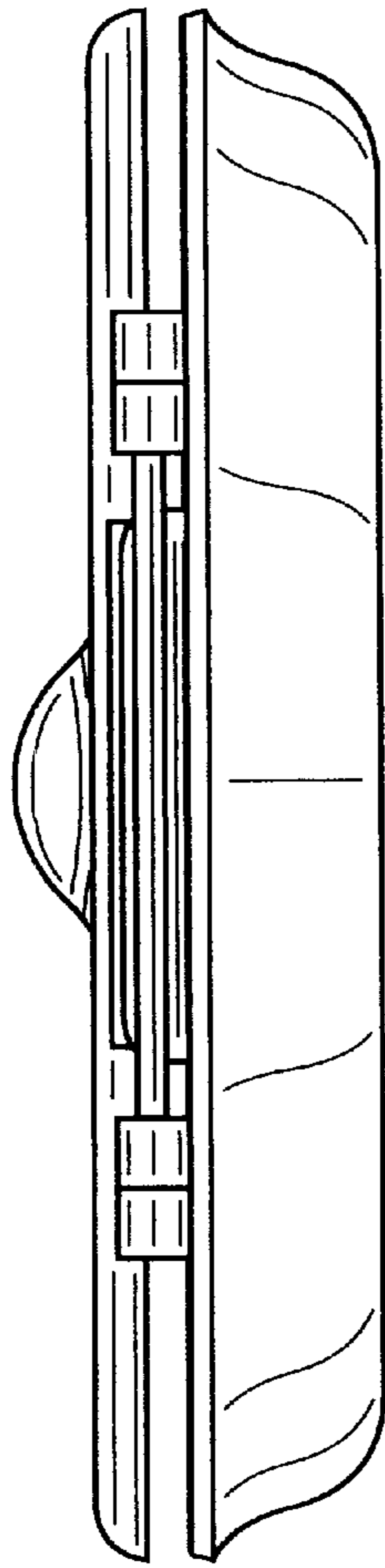


FIG.6

