

US00D541582S

(12) **United States Design Patent**  
**Chuang et al.**

(10) **Patent No.: US D541,582 S**

(45) **Date of Patent: \*\* May 1, 2007**

(54) **GRILLER**

(75) Inventors: **Tsung-Yi Chuang**, Kaohsiung (TW);  
**Wei-Mien Hsu**, Tainan (TW)

(73) Assignee: **Tsann Kuen Enterprise Co., Ltd.**,  
Taipei (TW)

(\*\*) Term: **14 Years**

(21) Appl. No.: **29/258,717**

(22) Filed: **Apr. 26, 2006**

**Related U.S. Application Data**

(63) Continuation-in-part of application No. 29/239,146, filed on  
Sep. 27, 2005, now abandoned.

(51) **LOC (8) Cl.** ..... **07-02**

(52) **U.S. Cl.** ..... **D7/352**

(58) **Field of Classification Search** ..... D7/323,  
D7/328-332, 334-339, 352-363; 99/219,  
99/331, 339, 349, 369, 372-375, 385, 386,  
99/389, 425, 444, 446, 466, 601, 618, 620;  
219/524, 525, 620-622, 732-734; D21/525  
See application file for complete search history.

(56) **References Cited**

**U.S. PATENT DOCUMENTS**

D452,109 S \* 12/2001 Hensel ..... D7/352  
6,439,108 B1 \* 8/2002 Wu ..... 99/349  
D462,228 S \* 9/2002 Wu ..... D7/352  
D462,229 S \* 9/2002 Wu ..... D7/352

D475,237 S \* 6/2003 Lin ..... D7/352  
D479,665 S \* 9/2003 Barker ..... D7/352  
D493,663 S \* 8/2004 Lin et al. .... D7/347  
D494,407 S \* 8/2004 Lin et al. .... D7/347  
D507,929 S \* 8/2005 Steinberg et al. .... D7/352  
D509,703 S \* 9/2005 Barker ..... D7/352  
D521,310 S \* 5/2006 Lin ..... D7/352  
2005/0139086 A1 \* 6/2005 McHutchison ..... 99/389

**FOREIGN PATENT DOCUMENTS**

WO WO 20051037035 A1 \* 4/2005

\* cited by examiner

*Primary Examiner*—Cathron C. Brooks

*Assistant Examiner*—Ricky Pham

(74) *Attorney, Agent, or Firm*—Ladas & Parry LLP

(57) **CLAIM**

The ornamental design for a griller, as shown and described.

**DESCRIPTION**

FIG. 1 is a perspective view of a griller showing our new design;

FIG. 2 is a front elevational view thereof;

FIG. 3 is a rear elevational view thereof;

FIG. 4 is a left side elevational view thereof;

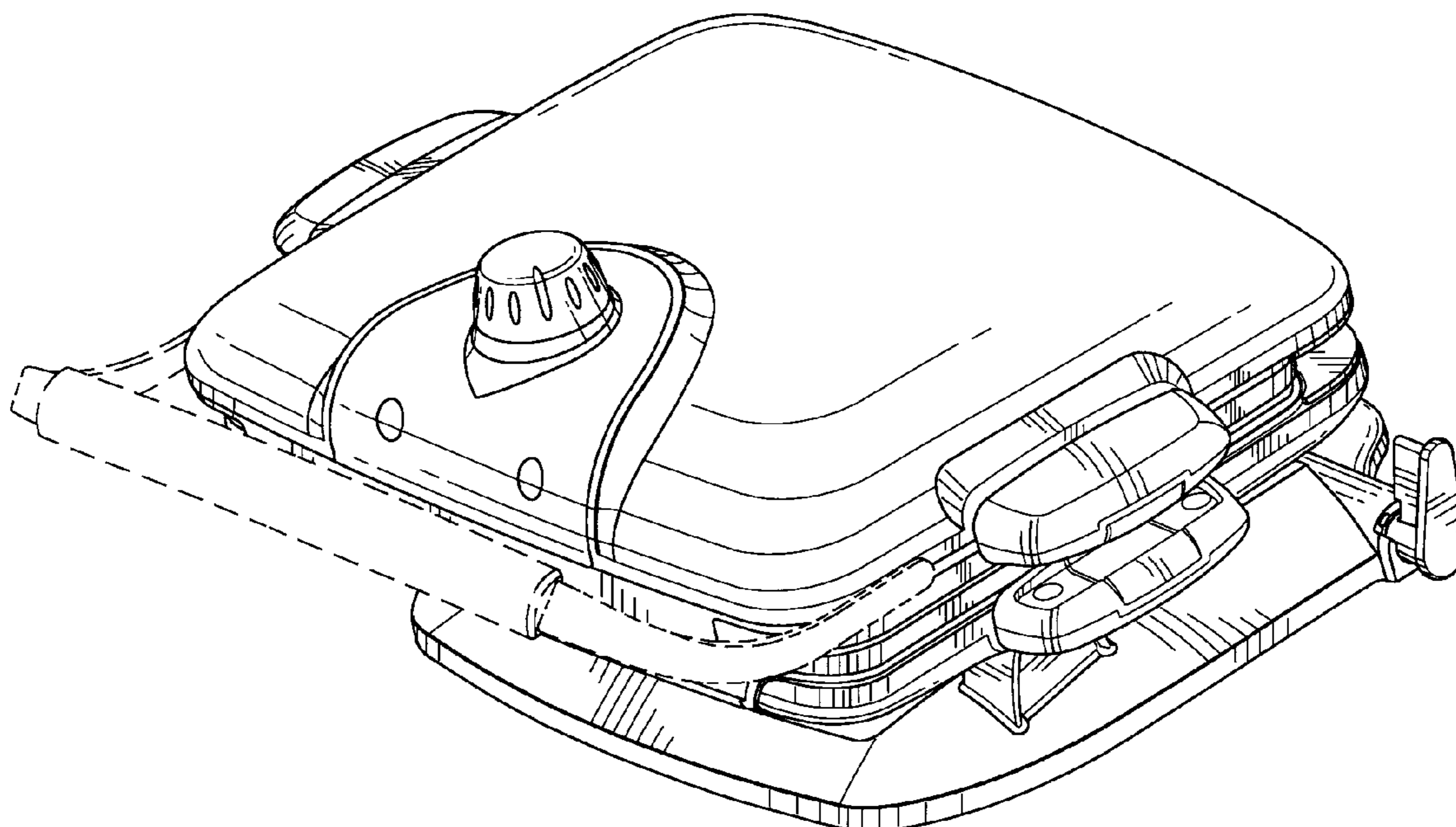
FIG. 5 is a right side elevational view thereof;

FIG. 6 is a top plan view thereof; and,

FIG. 7 is a bottom plan view thereof.

The portions shown in dashed lines are for illustrative purposes only and form no part of the claimed design.

**1 Claim, 5 Drawing Sheets**



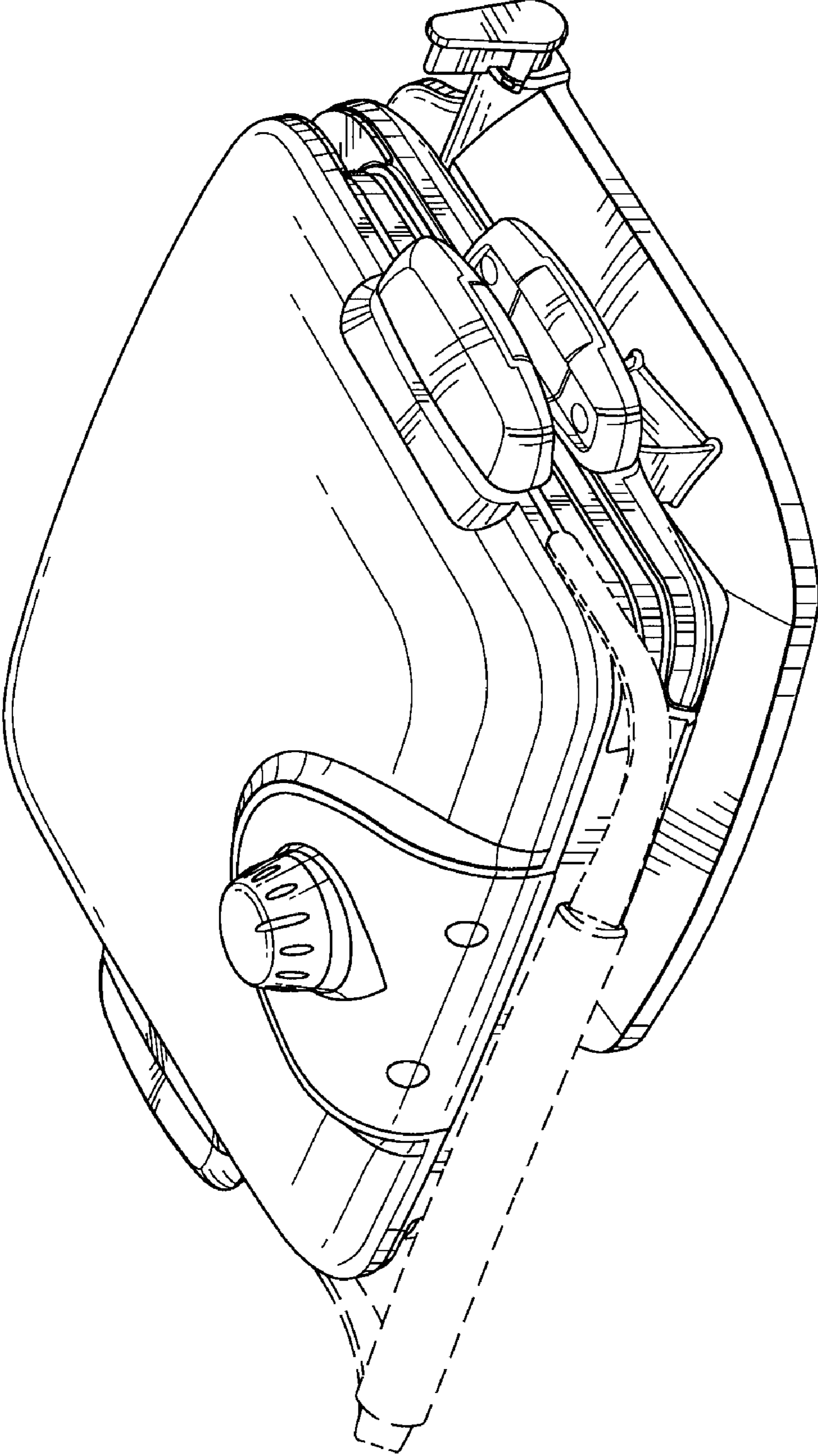


FIG. 1

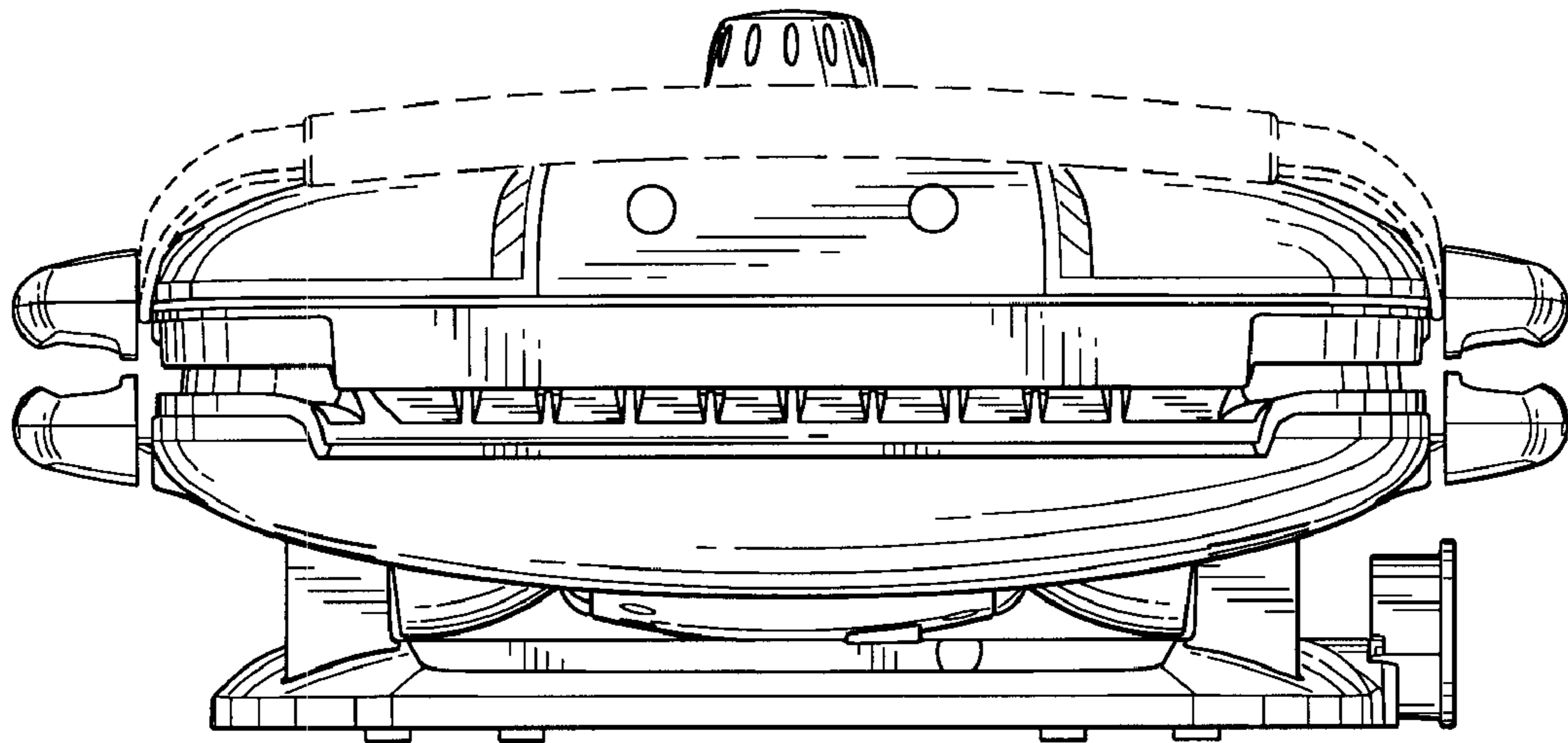


FIG. 2

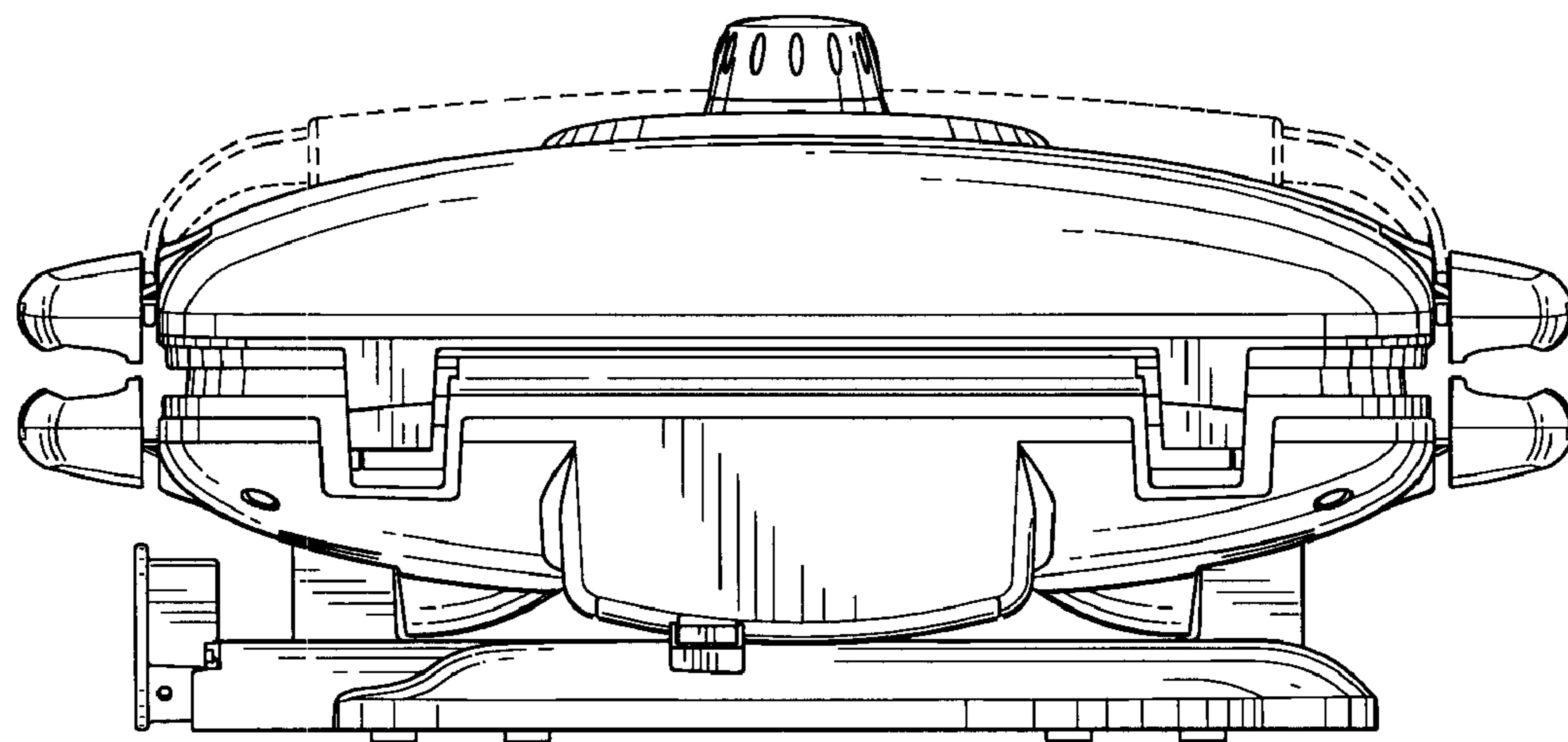


FIG. 3



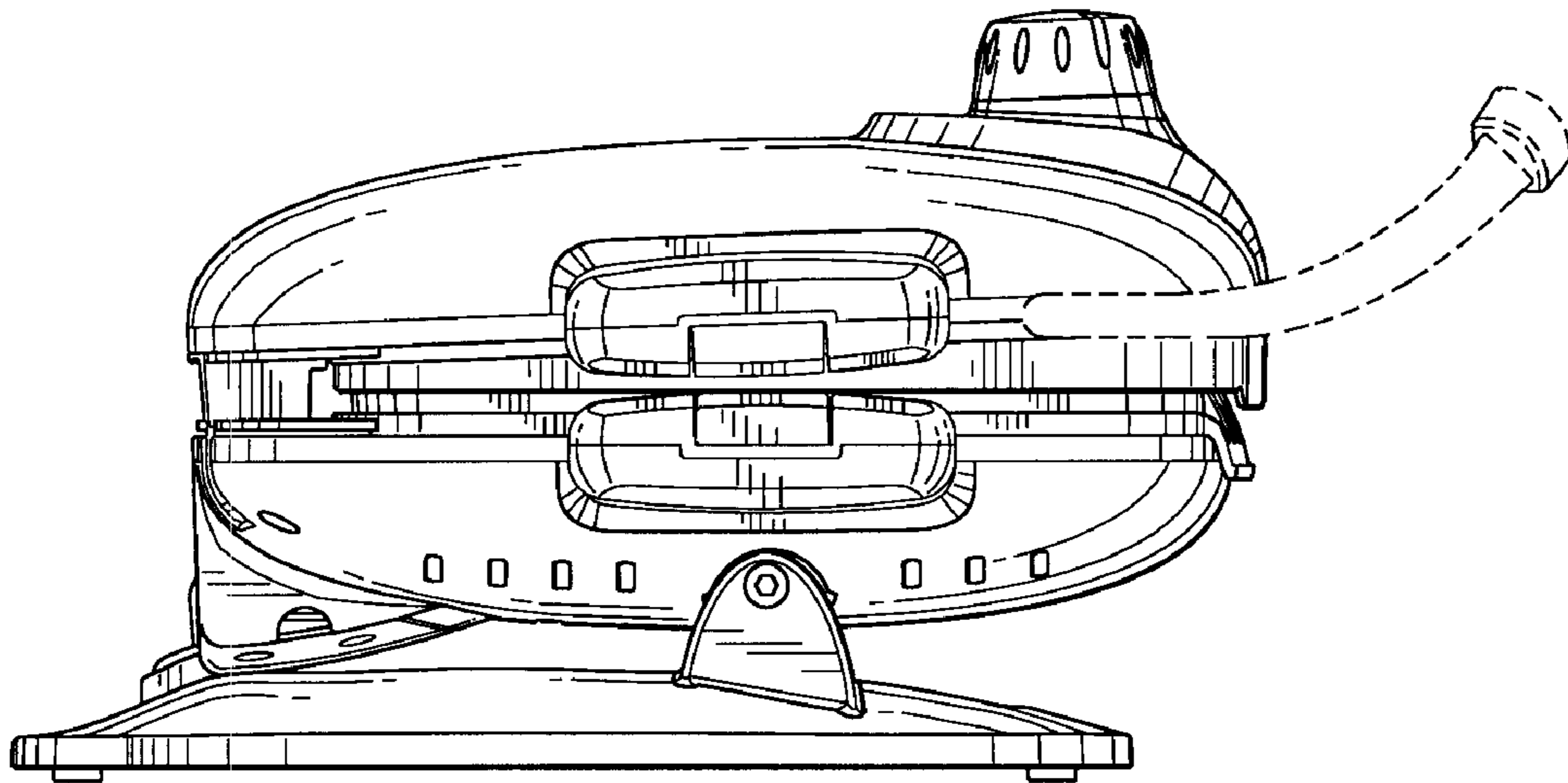


FIG. 4

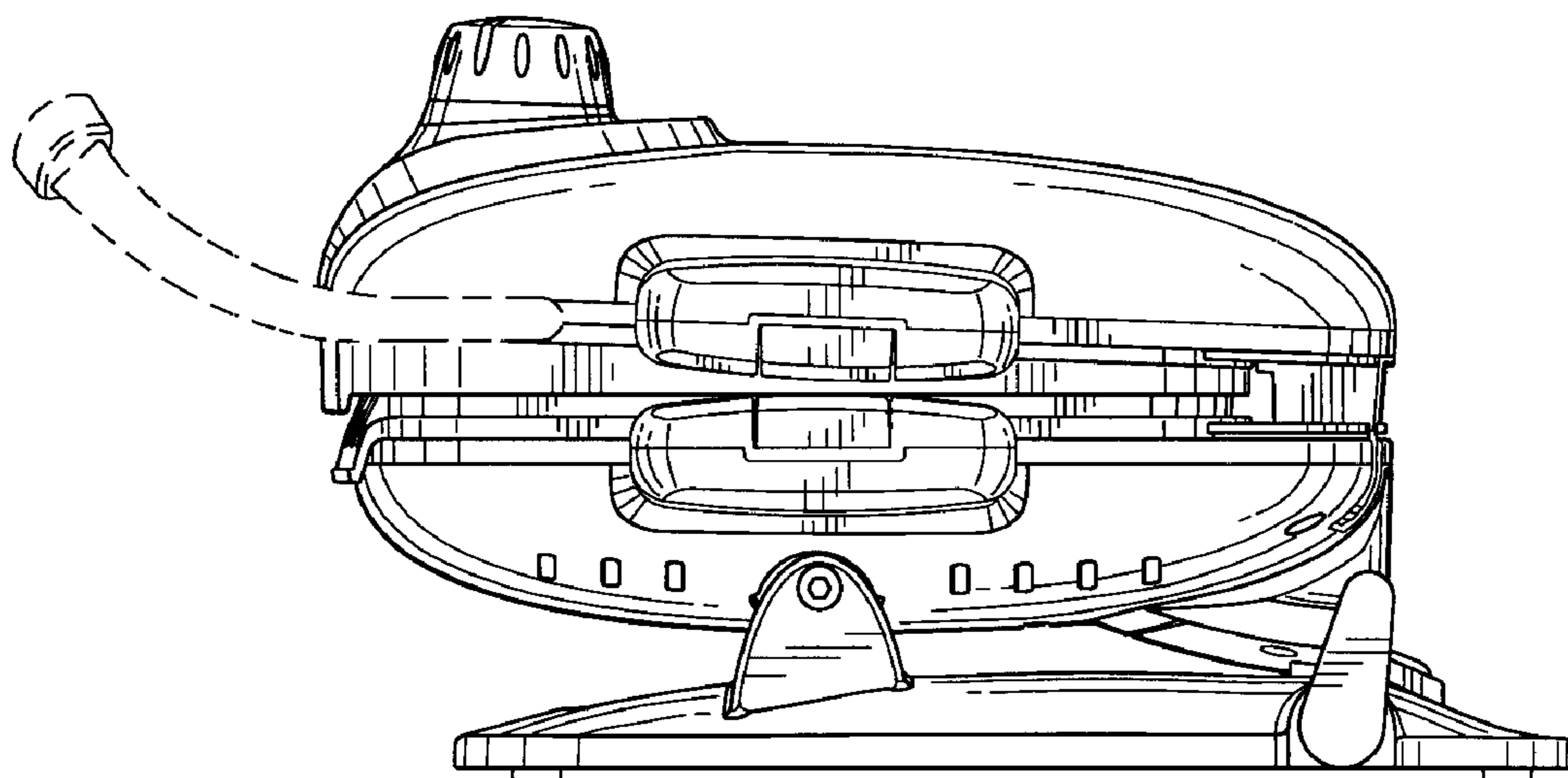


FIG. 5

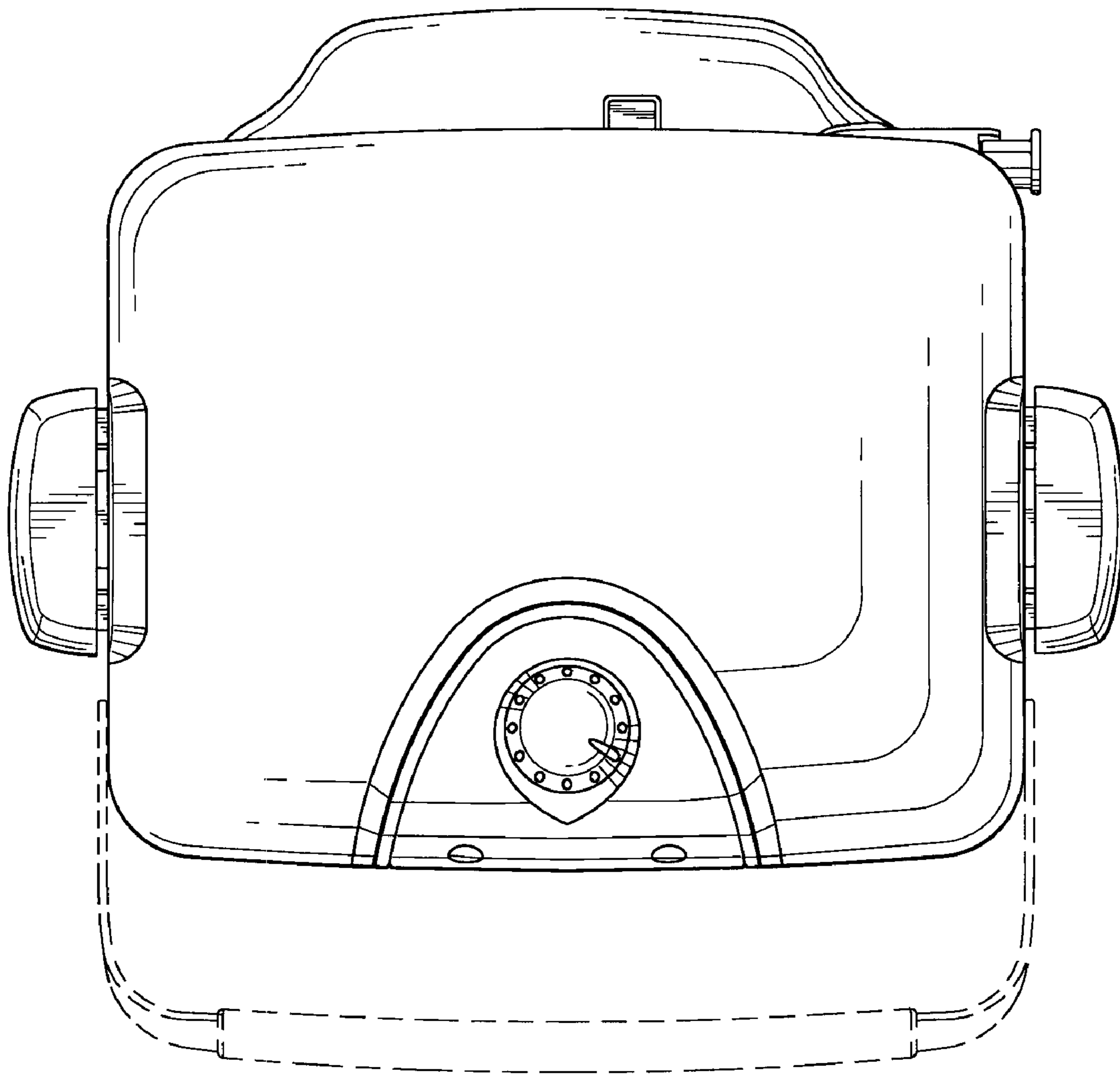


FIG. 6

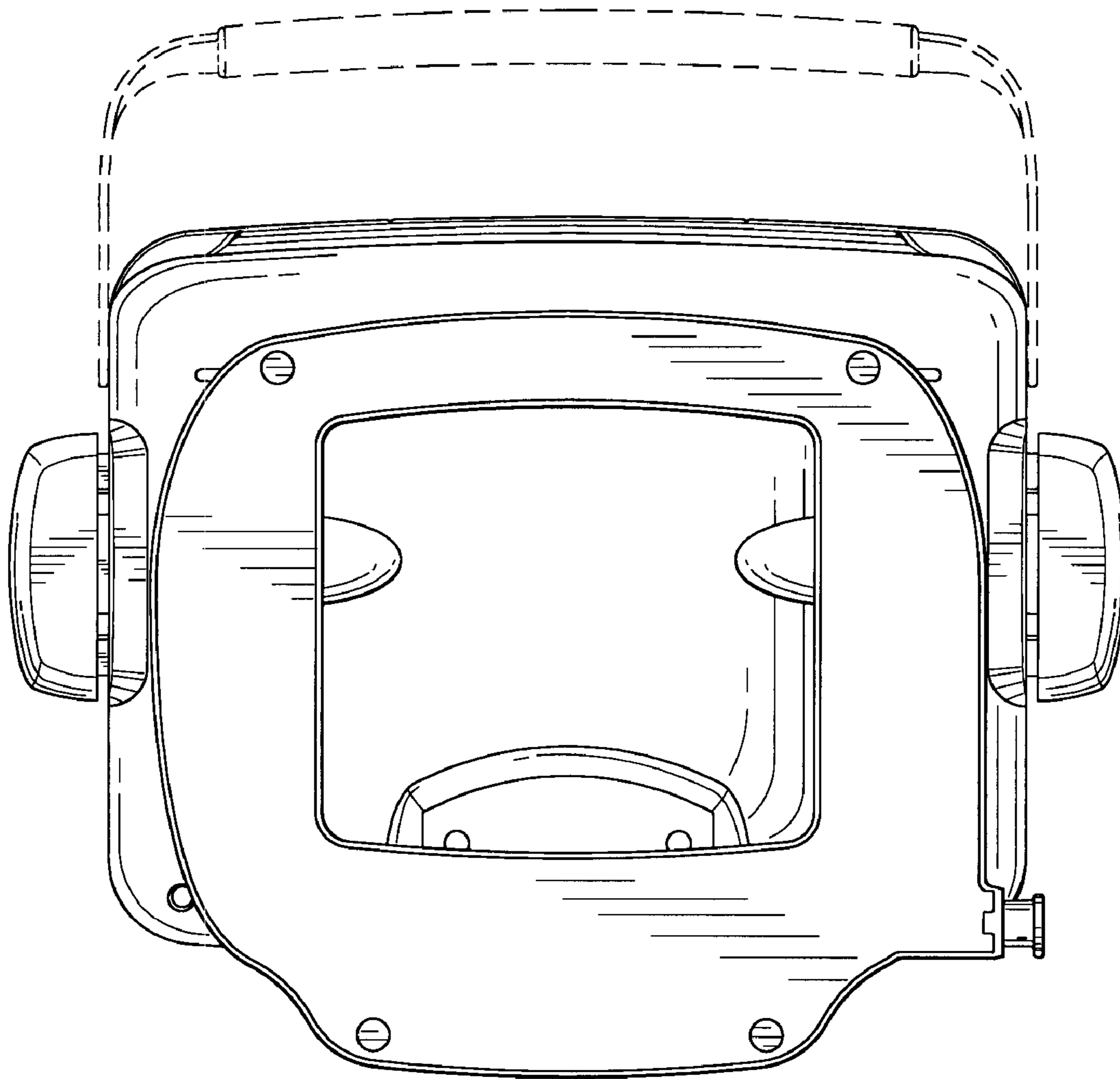


FIG. 7