



US00D541581S

(12) **United States Design Patent**  
**Moore**

(10) **Patent No.:** **US D541,581 S**

(45) **Date of Patent:** **\*\* May 1, 2007**

(54) **GRILL**

(75) Inventor: **Devin Lee Moore**, Decatur, GA (US)

(73) Assignee: **Conair Corporation**, Stamford, CT (US)

(\*\*) Term: **14 Years**

(21) Appl. No.: **29/252,443**

(22) Filed: **Jan. 23, 2006**

(51) **LOC (8) Cl.** ..... **07-02**

(52) **U.S. Cl.** ..... **D7/352**

(58) **Field of Classification Search** ..... D7/352,  
D7/354-357, 359-367, 402-403, 550.1, 554.3,  
D7/554.4, 558, 586-587, 305, 624.1, 624.2,  
D7/388, 326, 332, 337; 126/33, 265, 275 E,  
126/377.1; 99/339, 349, 359, 325, 416, 422-423,  
99/425, 447, 448, 467, 483, 372, 374, 377-378;  
219/428, 430, 439, 450.1, 465.1, 429, 432-433,  
219/435, 521, 386, 622, 627

See application file for complete search history.

(56) **References Cited**

**U.S. PATENT DOCUMENTS**

D436,794 S \* 1/2001 McClean ..... D7/352  
D452,109 S \* 12/2001 Hensel ..... D7/352

D462,229 S \* 9/2002 Wu ..... D7/352  
D479,655 S \* 9/2003 Bellini et al. .... D6/366  
D489,566 S \* 5/2004 Moine ..... D7/352  
D507,929 S \* 8/2005 Steinberg et al. .... D7/352  
D527,941 S \* 9/2006 Serra ..... D7/352  
D528,350 S \* 9/2006 McHutchison ..... D7/352  
D532,646 S \* 11/2006 Moore ..... D7/352

\* cited by examiner

*Primary Examiner*—Ruth McInroy

(74) *Attorney, Agent, or Firm*—Lawrence Cruz; Steven A. Garner

(57) **CLAIM**

The ornamental design for a grill, as shown and described.

**DESCRIPTION**

FIG. 1 is a perspective view of a grill showing my new design;

FIG. 2 is a front view thereof;

FIG. 3 is a top view thereof;

FIG. 4 is a rear view thereof;

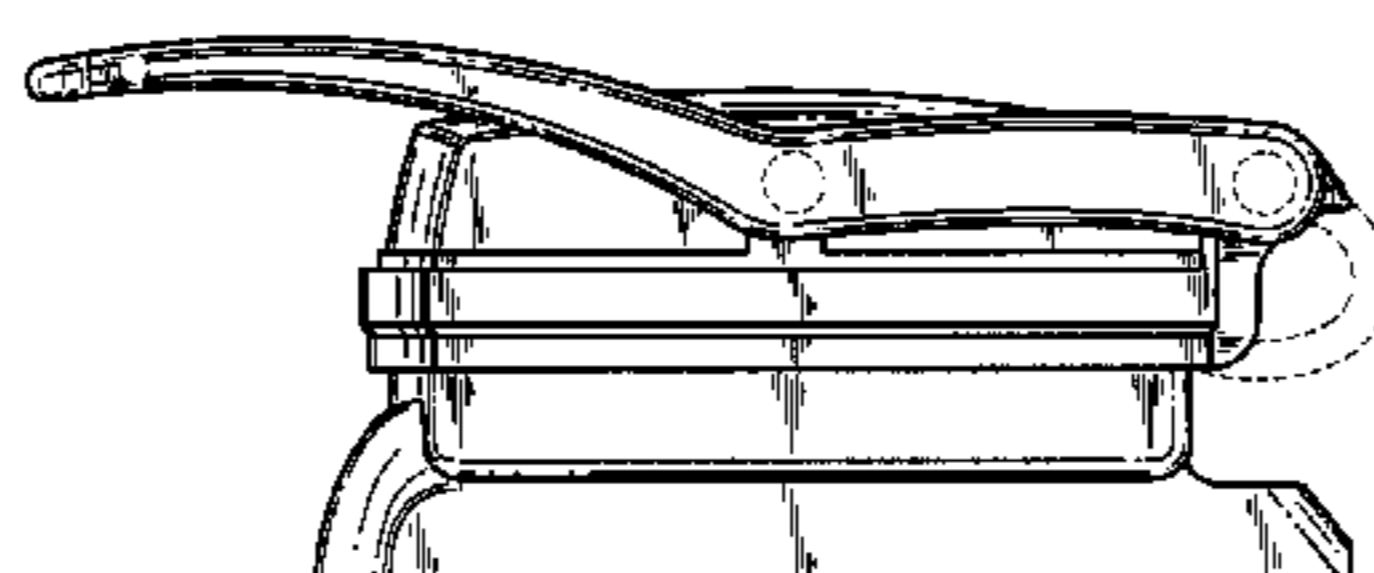
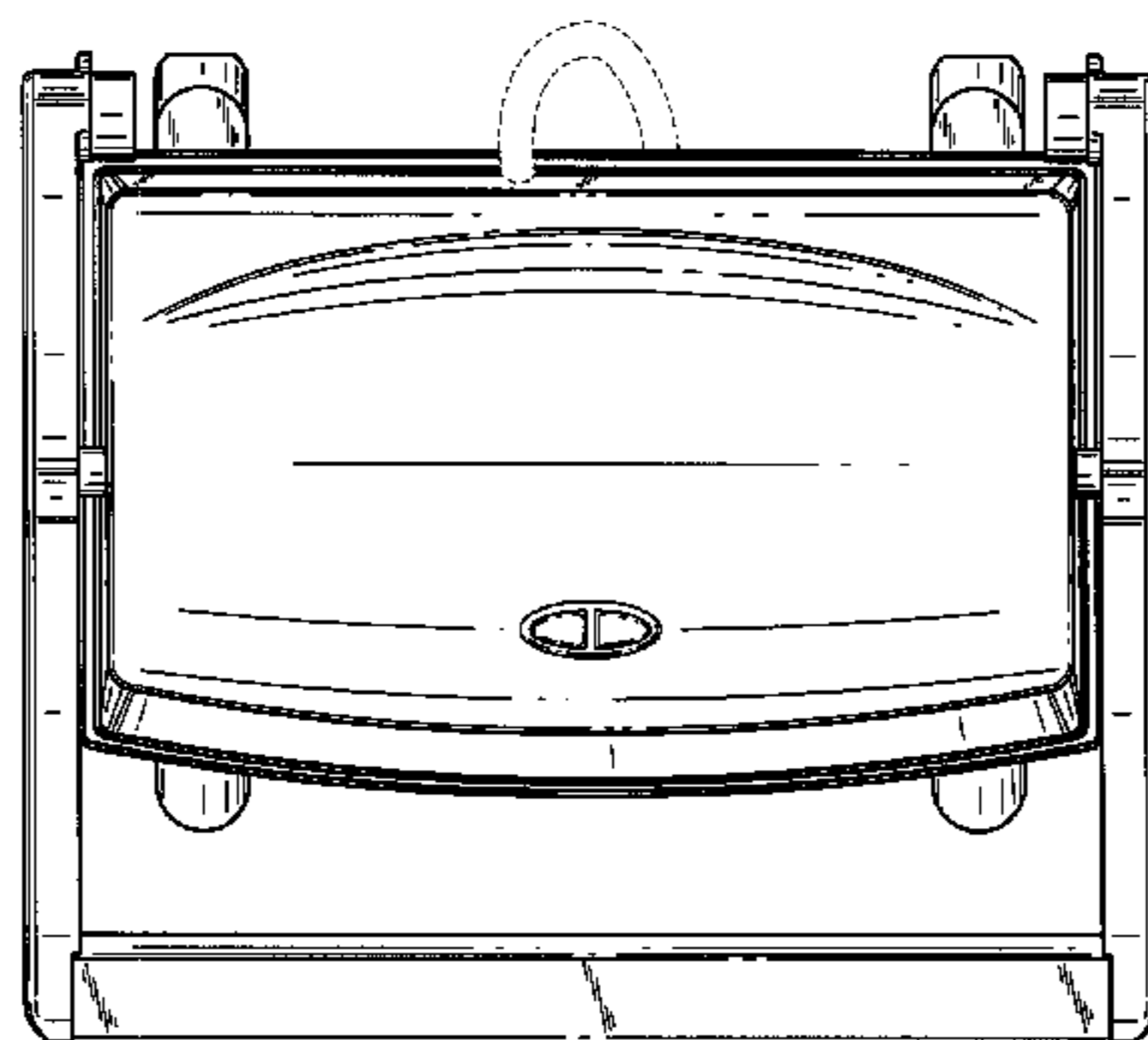
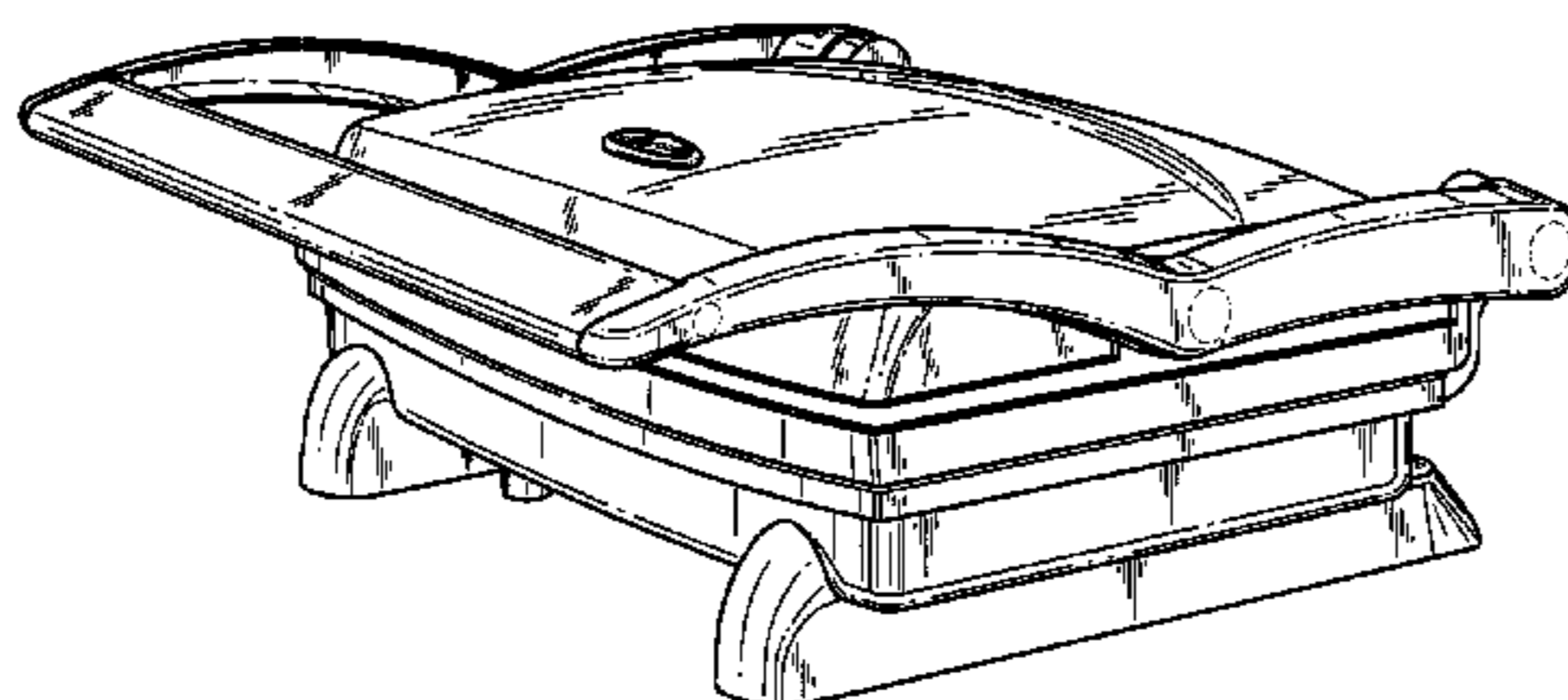
FIG. 5 is a bottom view thereof;

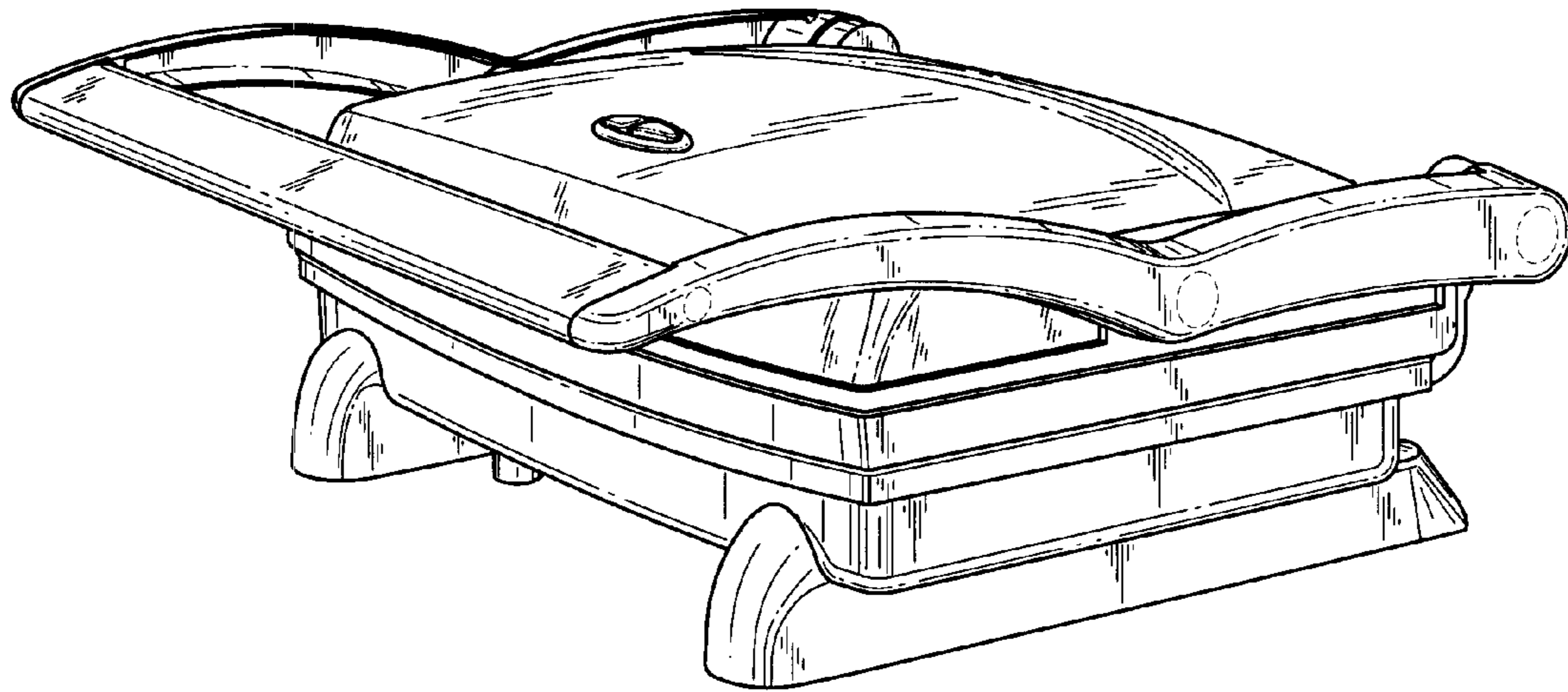
FIG. 6 is a right side view thereof; and,

FIG. 7 is a left side view.

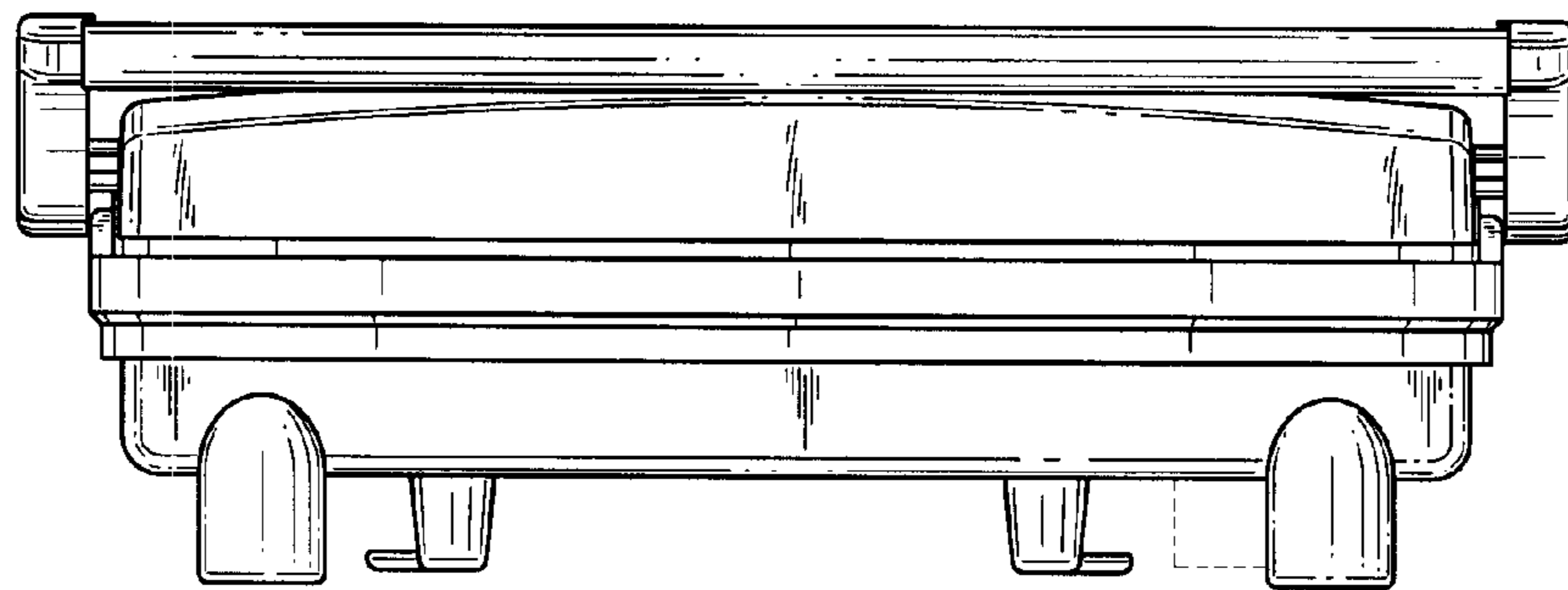
The broken lines are shown for illustrative purposes only and form no part of the claimed design.

**1 Claim, 3 Drawing Sheets**





*FIG. 1*



*FIG. 2*

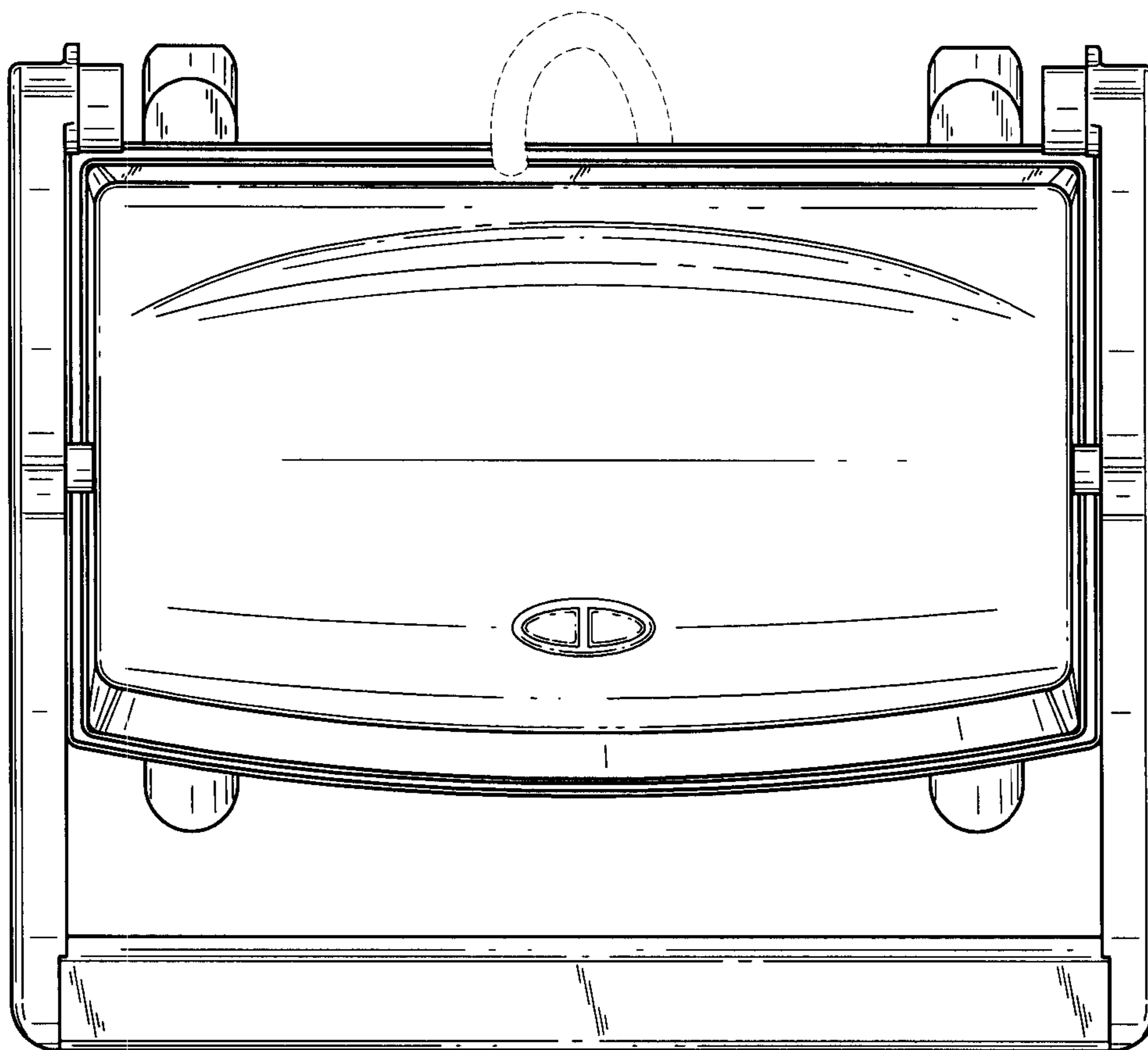


FIG. 3

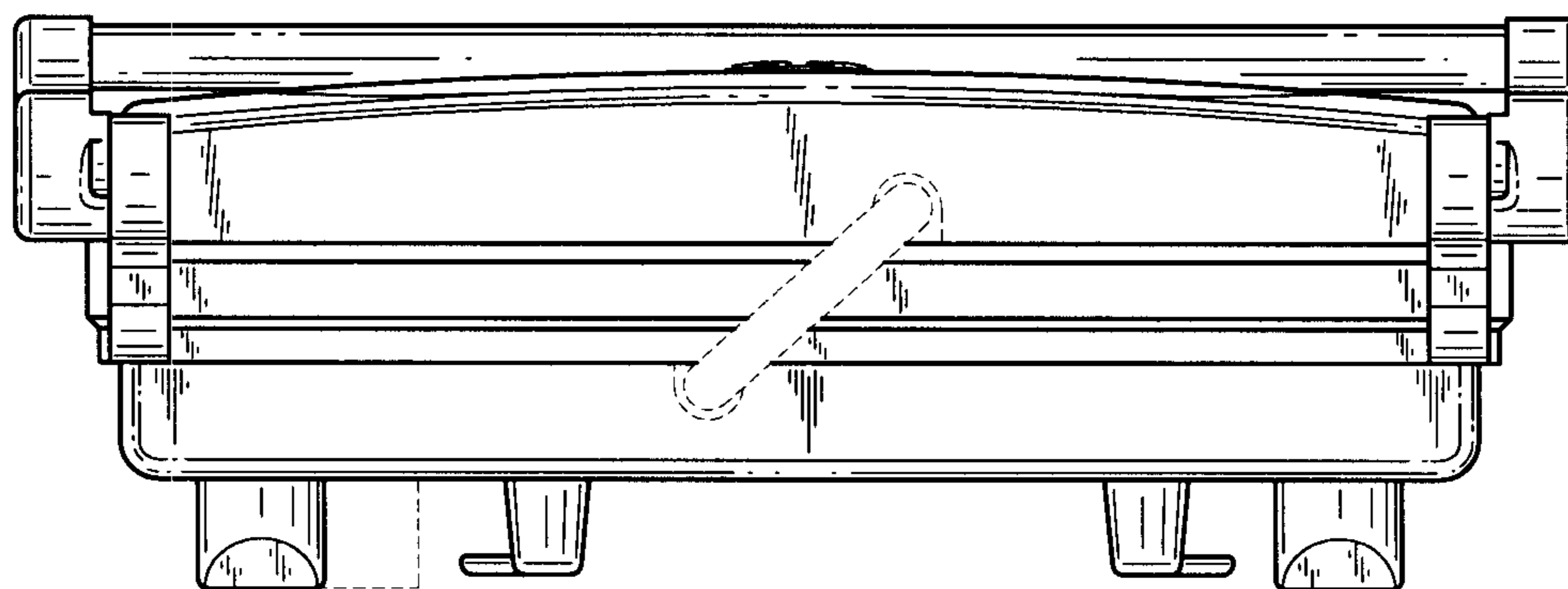


FIG. 4

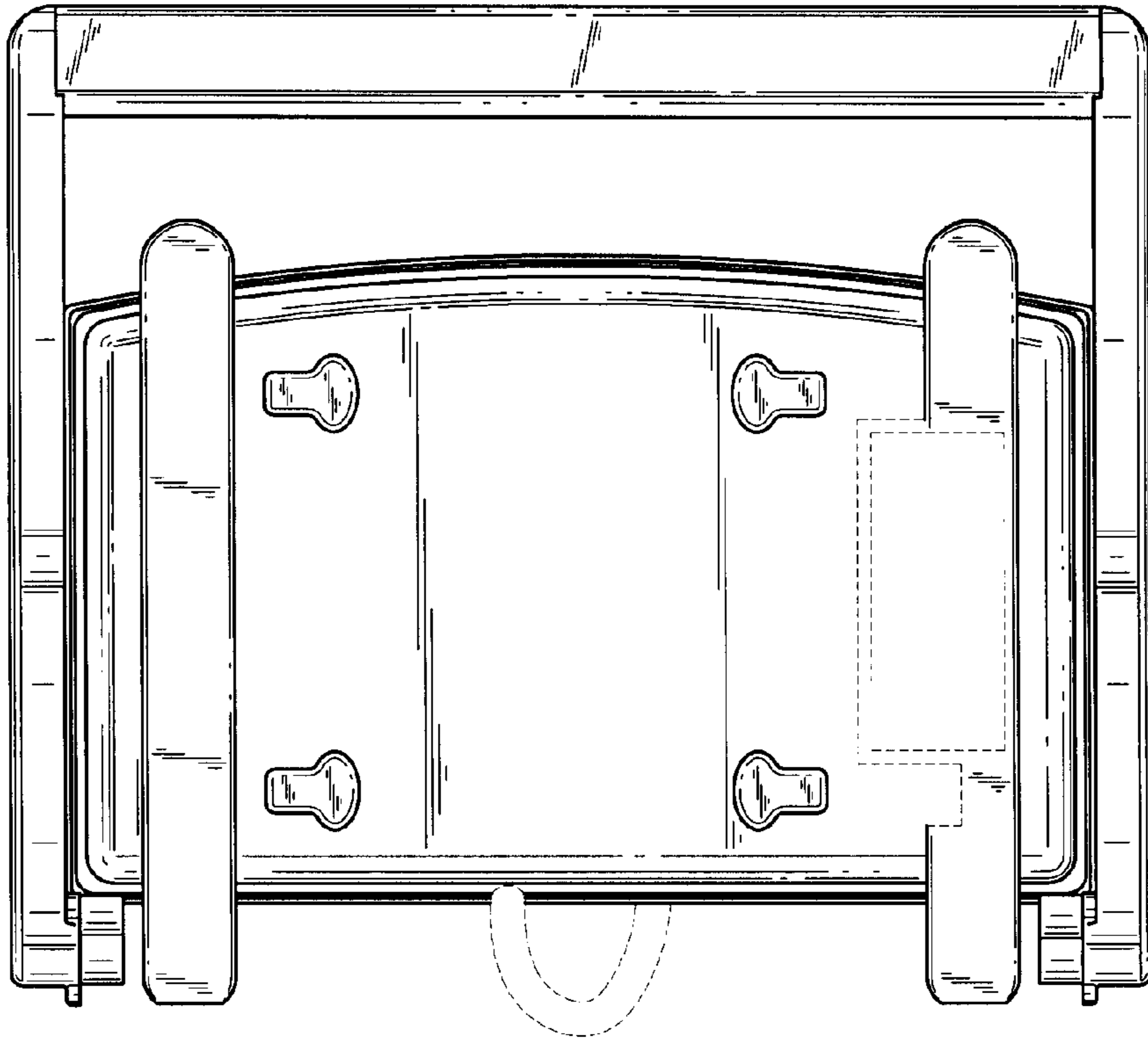


FIG. 5

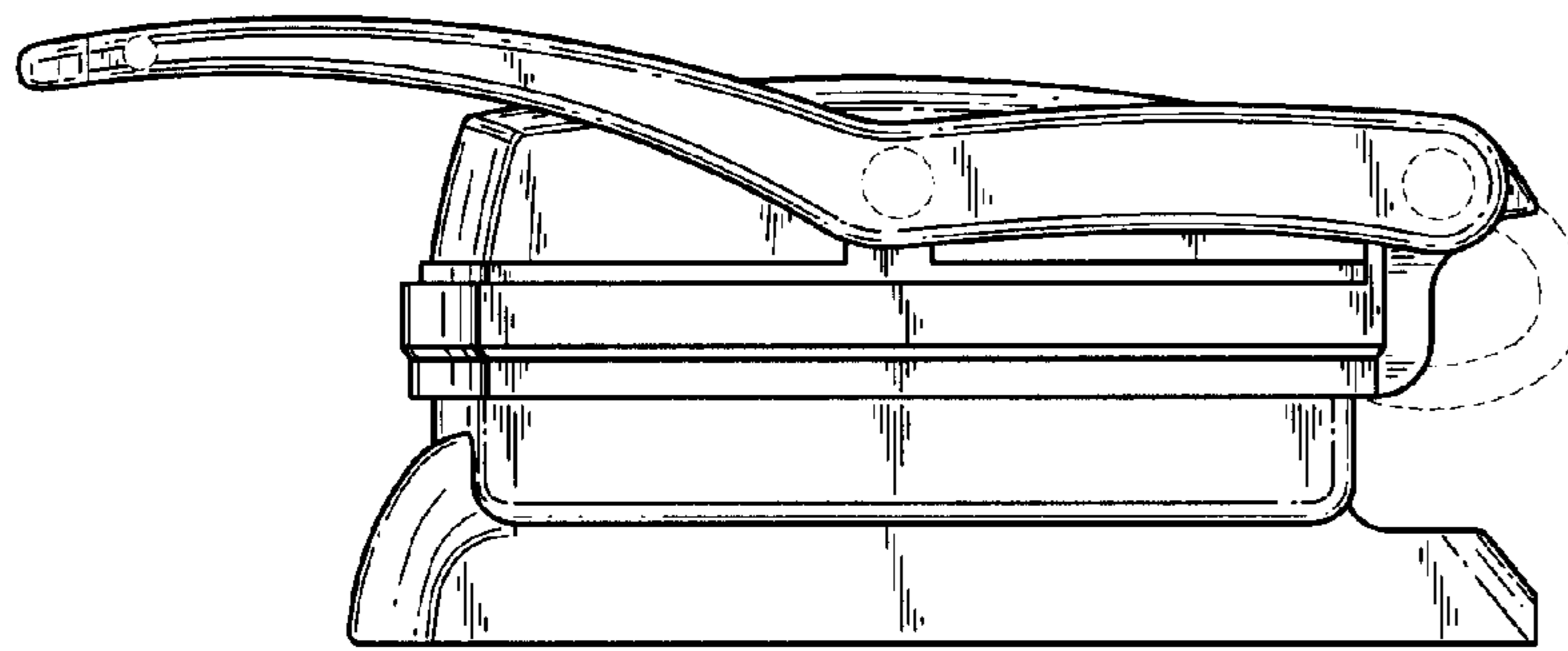


FIG. 6

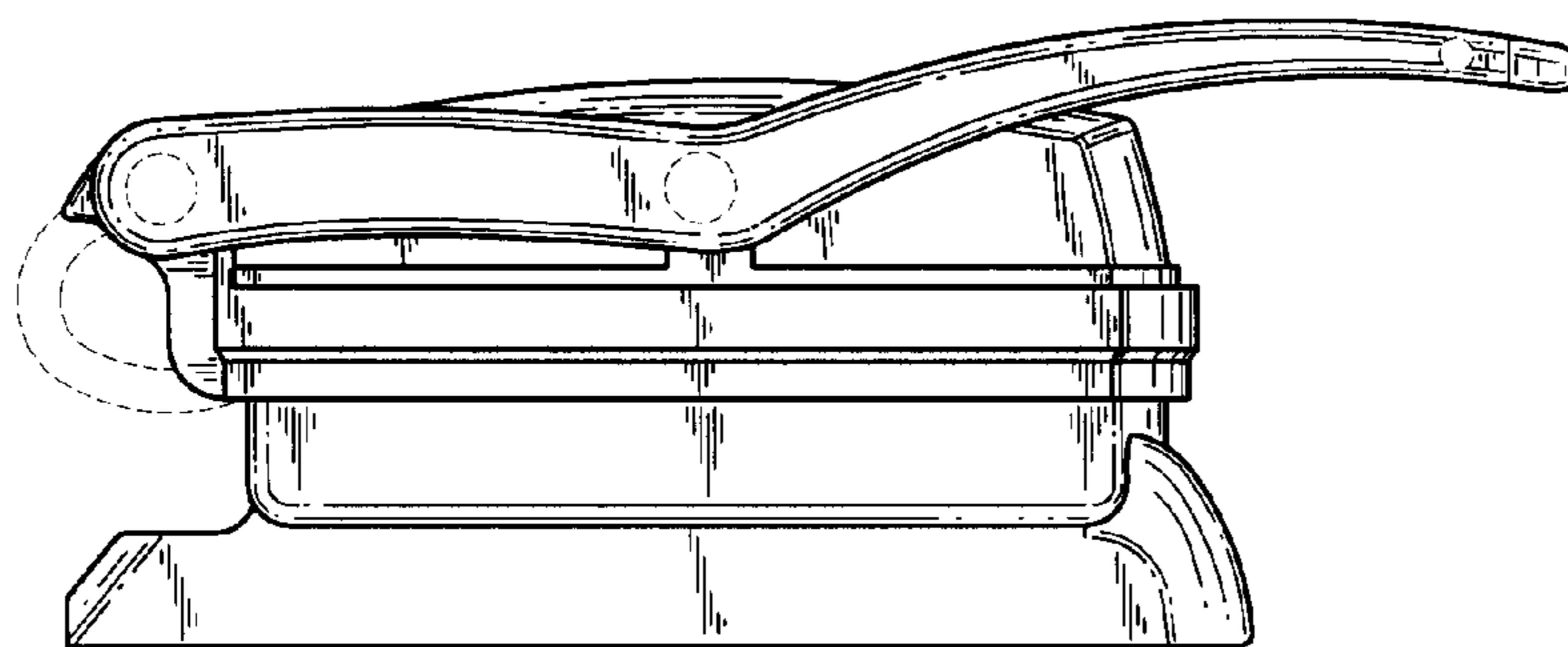


FIG. 7