



US00D541578S

(12) **United States Design Patent**
Jeon

(10) **Patent No.:** **US D541,578 S**

(45) **Date of Patent:** **** May 1, 2007**

(54) **OVEN**

(75) Inventor: **Sei-II Jeon**, Seoul (KR)

(73) Assignee: **Samsung Electronics Co., Ltd.**,
Kyunggi-do (KR)

(**) Term: **14 Years**

(21) Appl. No.: **29/266,201**

(22) Filed: **Sep. 15, 2006**

(51) **LOC (8) Cl.** **07-02**

(52) **U.S. Cl.** **D7/350.1**

(58) **Field of Classification Search** D7/350.1,
D7/350.3, 350.4, 351, 402-403, 405-406;
126/19 M, 275 E, 273 A; 219/756-758, 391,
219/402, 393; 99/DIG. 14
See application file for complete search history.

(56) **References Cited**

U.S. PATENT DOCUMENTS

- D248,008 S * 5/1978 Wojtowicz et al. D7/351
- D329,569 S * 9/1992 Ichihara et al. D7/351
- D330,144 S * 10/1992 Takebata et al. D7/351
- D468,579 S * 1/2003 Sakai et al. D7/351

- D525,075 S 7/2006 Jeon
- D525,477 S 7/2006 Kim
- D527,572 S * 9/2006 Lee et al. D7/350.1
- D530,561 S * 10/2006 Kim D7/351

* cited by examiner

Primary Examiner—Ruth McInroy

(74) *Attorney, Agent, or Firm*—Flynn, Thiel, Boutell & Tanis, P.C.

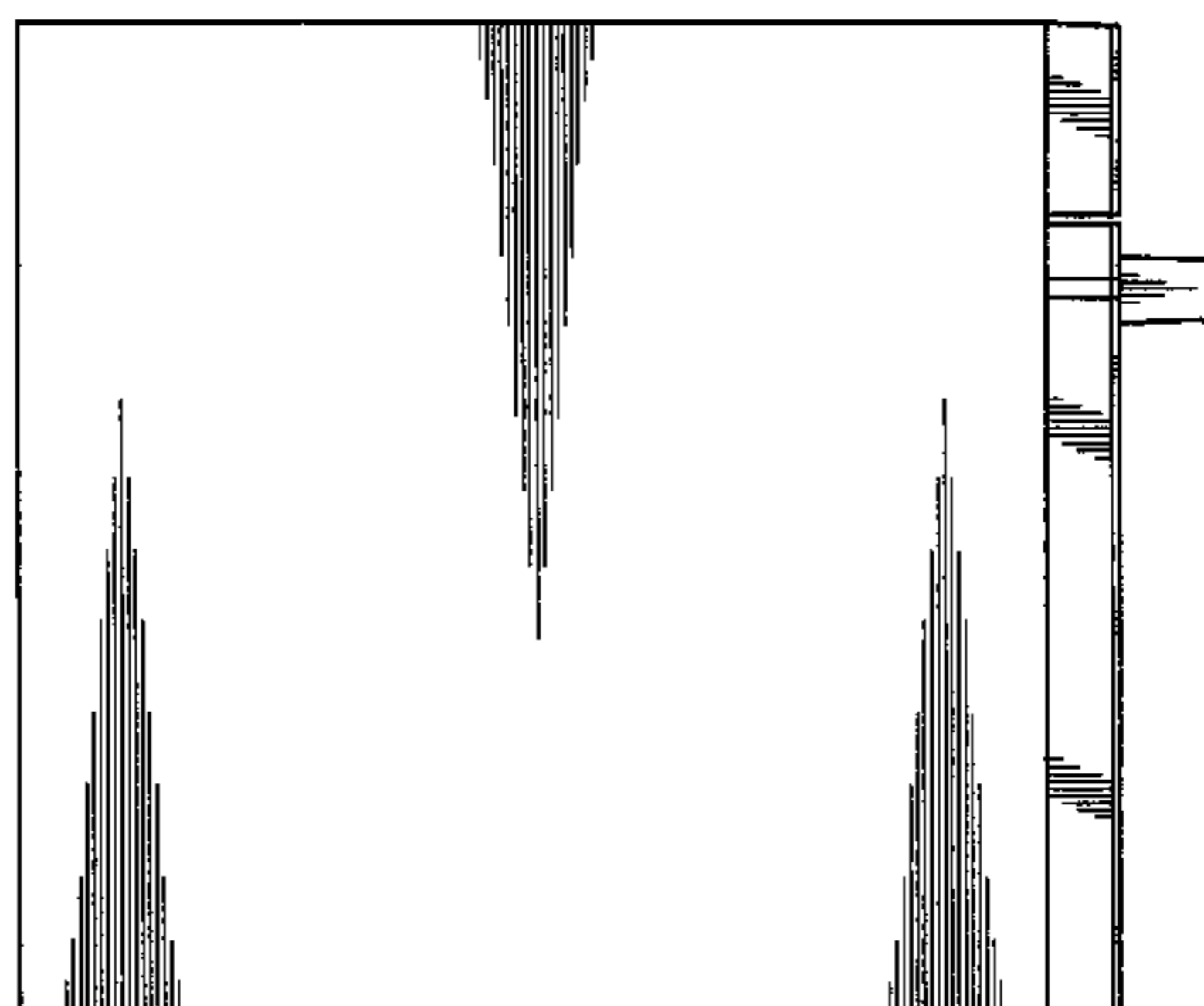
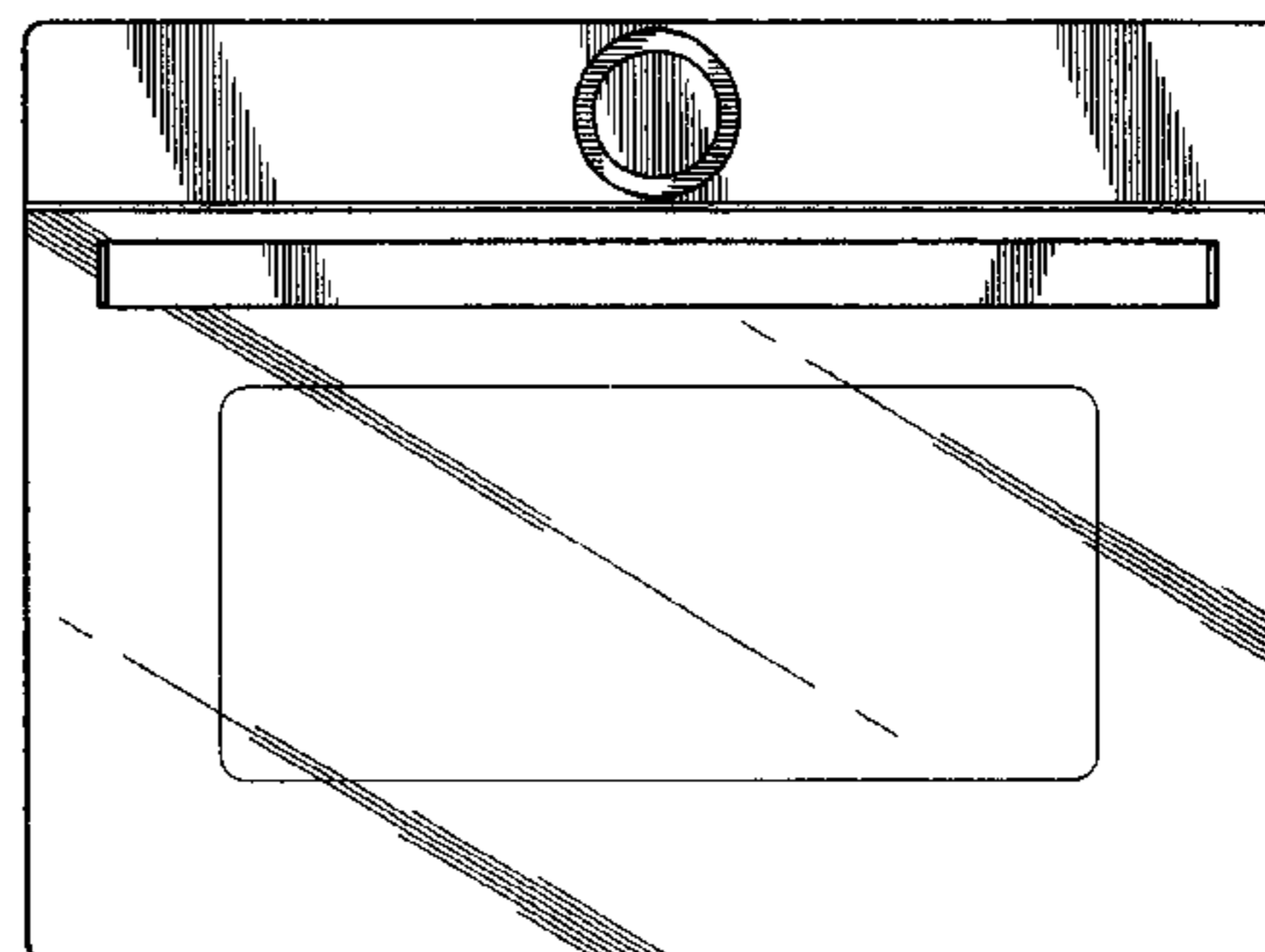
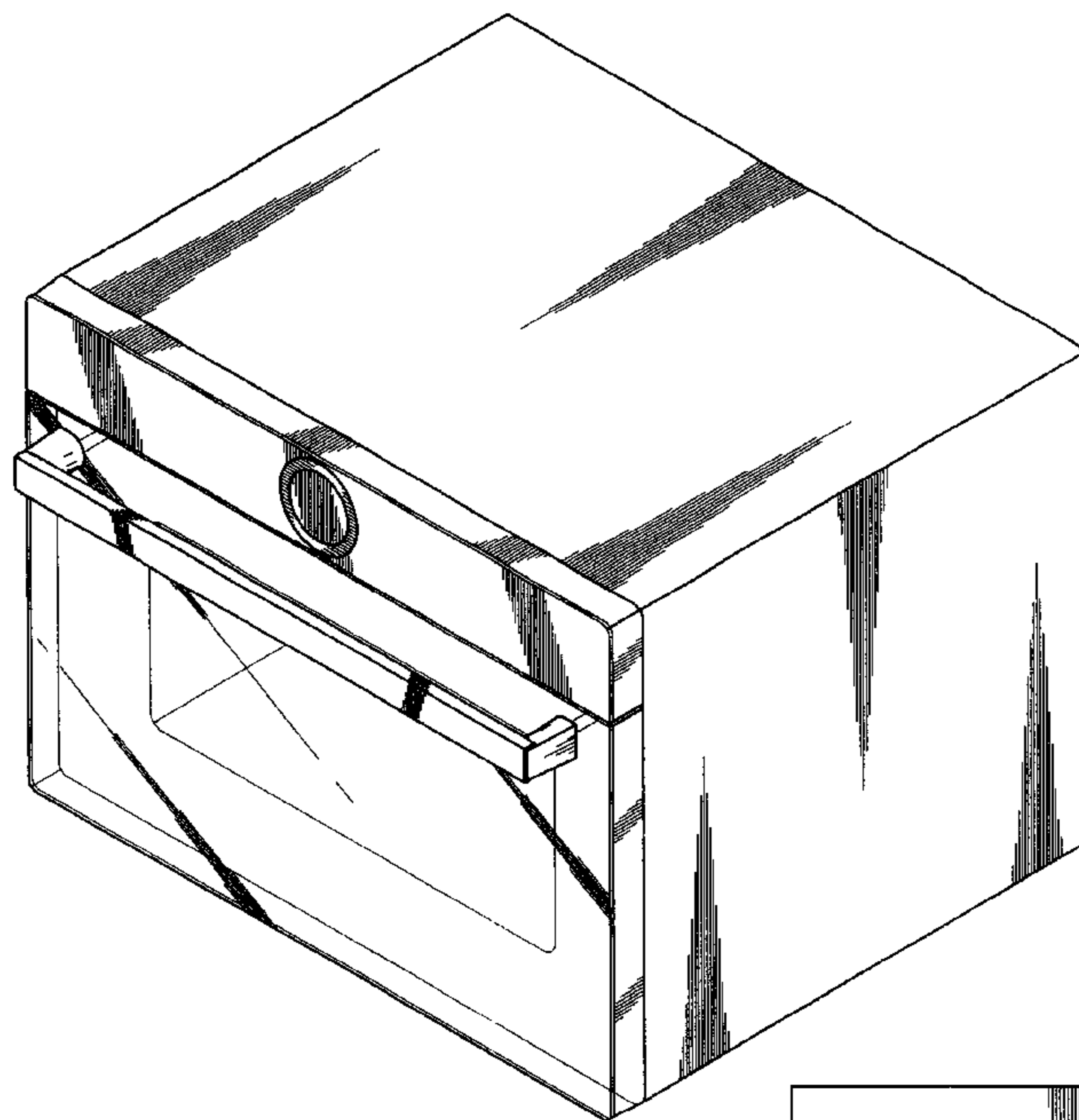
(57) **CLAIM**

The ornamental design for a oven, as shown and described.

DESCRIPTION

FIG. 1 is a top front perspective view of a oven showing our new design;
 FIG. 2 is a front elevational view thereof;
 FIG. 3 is a rear elevational view thereof;
 FIG. 4 is a left side elevational view, the right side being symmetrical thereof;
 FIG. 5 is a top plan view thereof; and,
 FIG. 6 is a bottom plan view thereof.
 The front doors described in FIGS. 1 and 2 are transparent body.

1 Claim, 4 Drawing Sheets



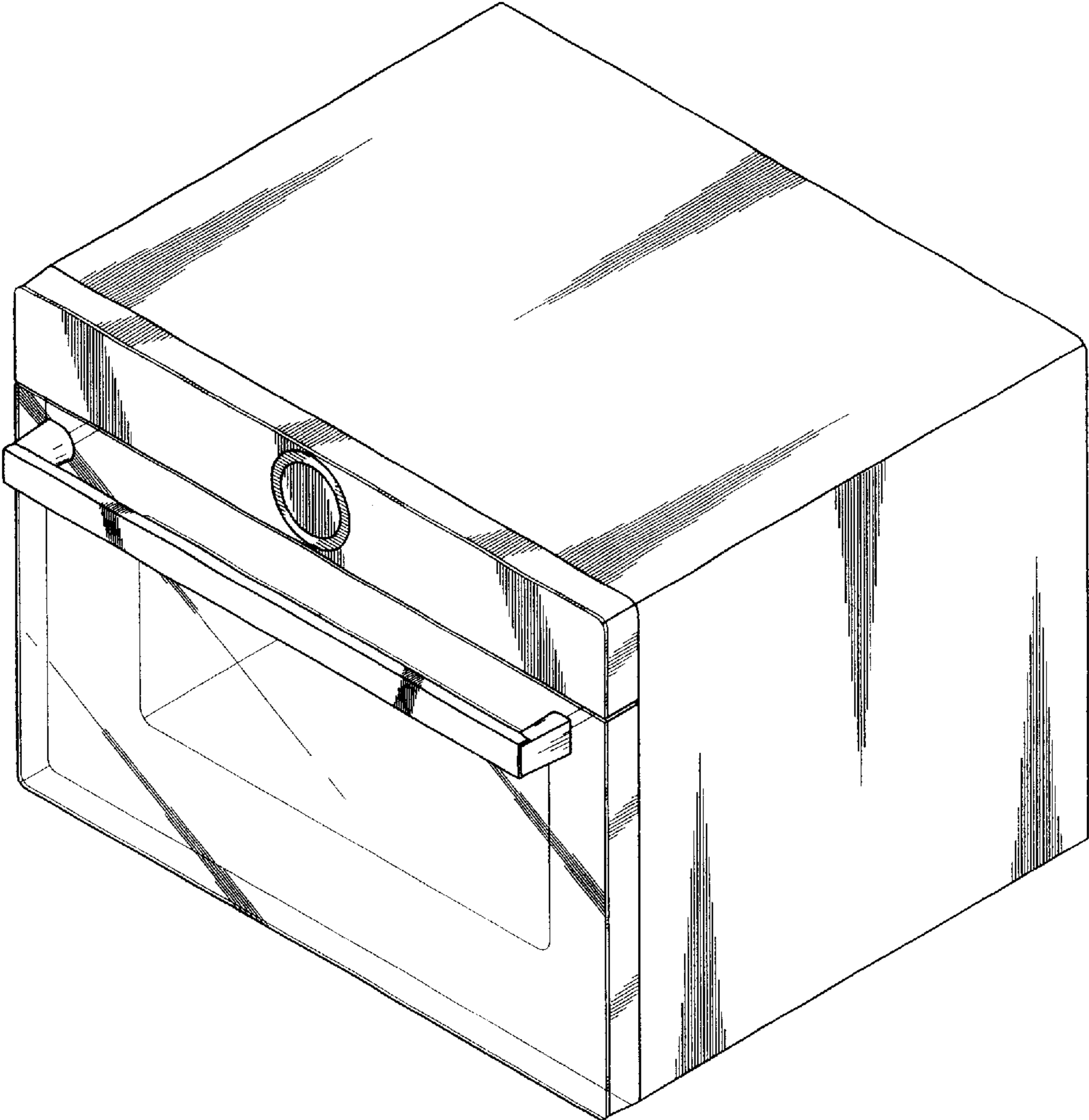


FIG. 1

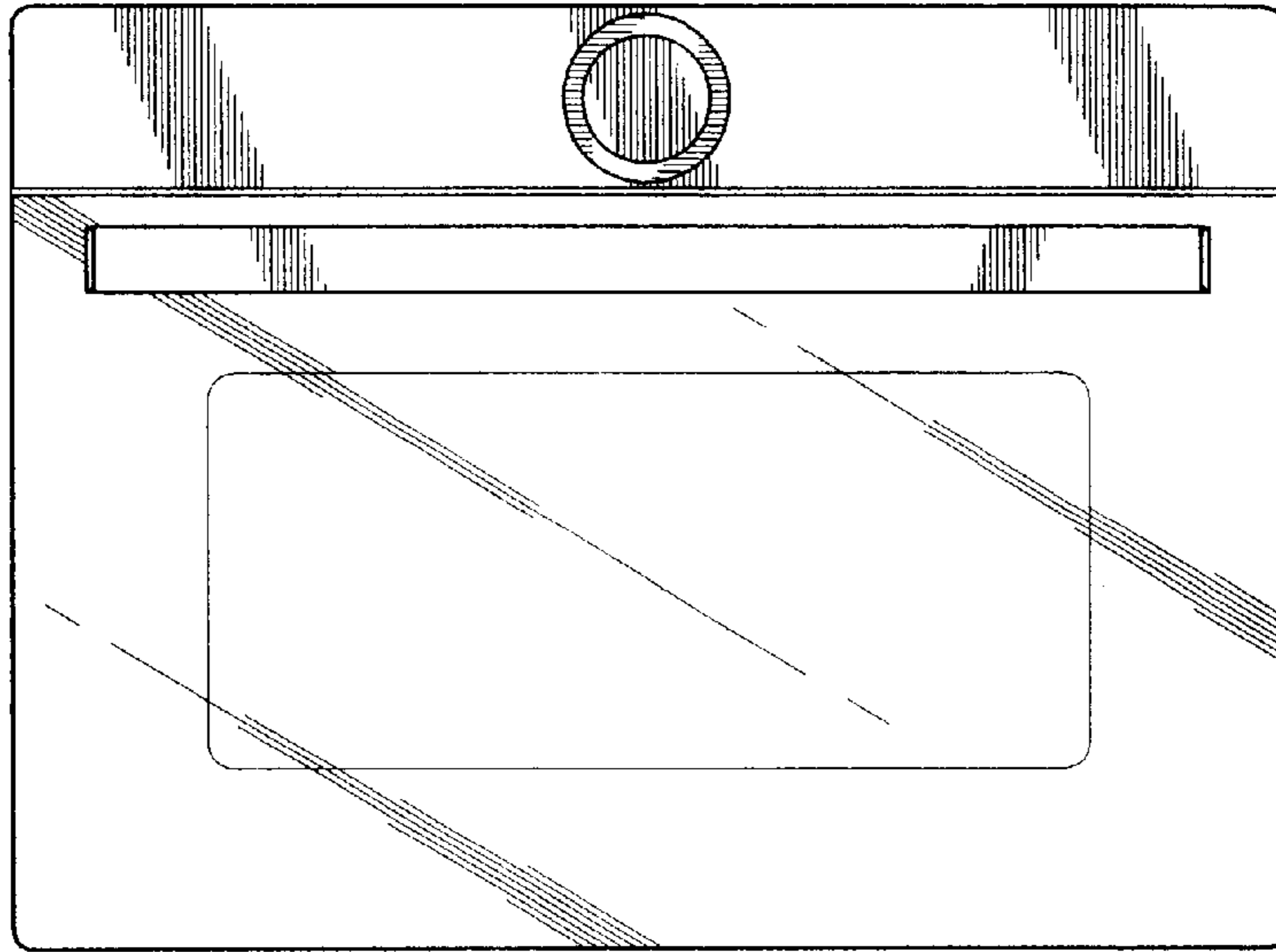


FIG. 2

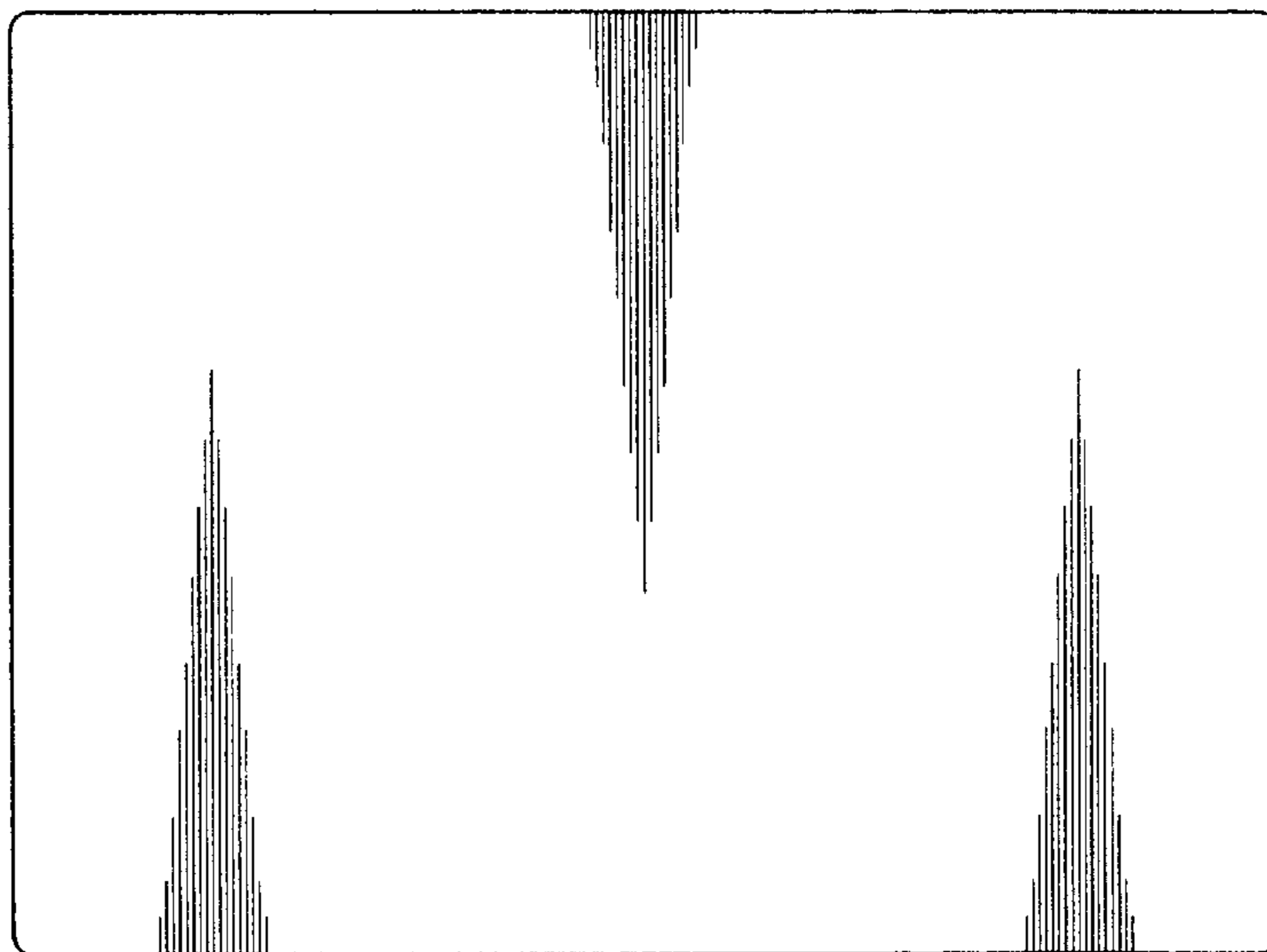


FIG. 3

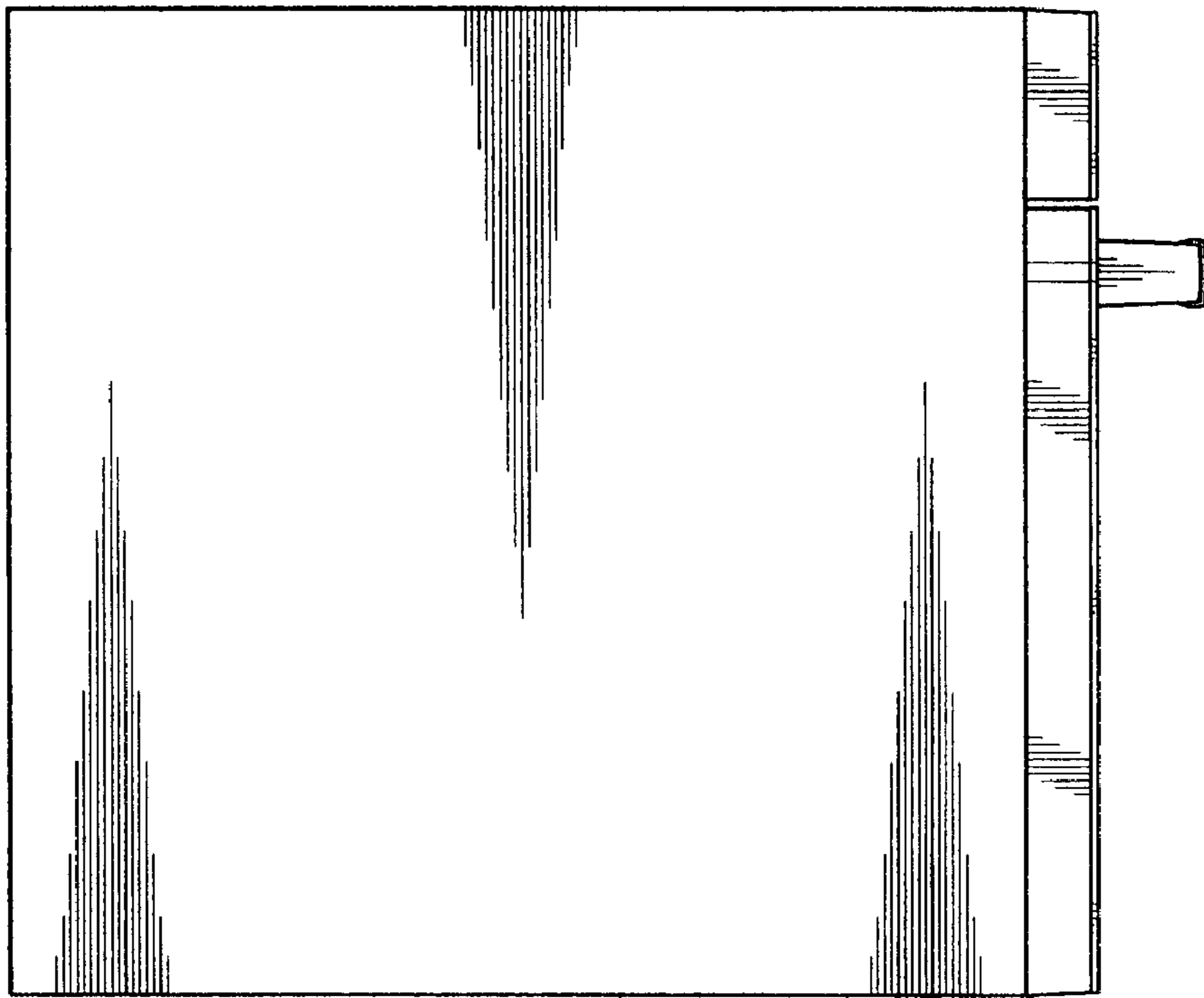


FIG. 4

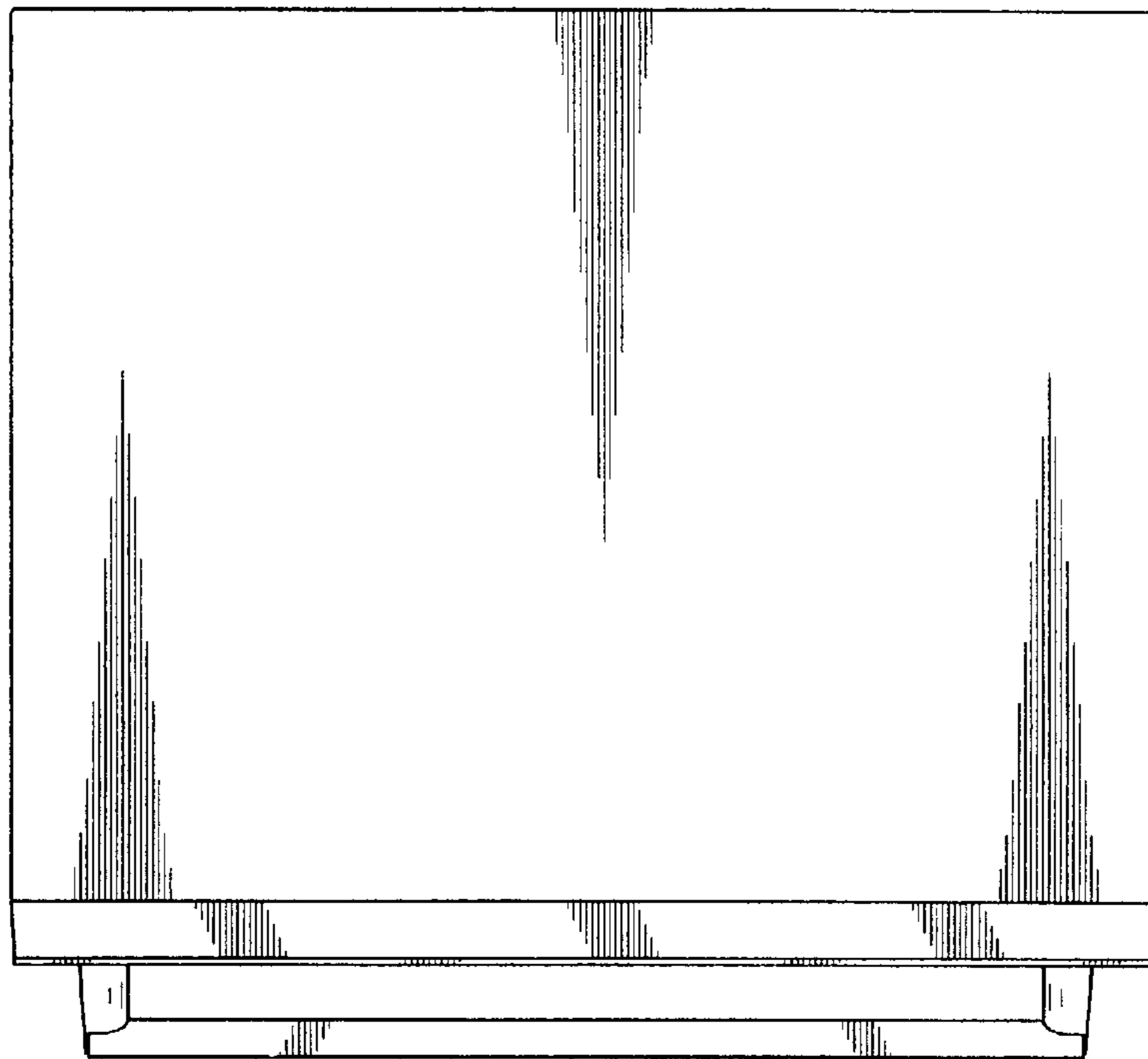


FIG. 5

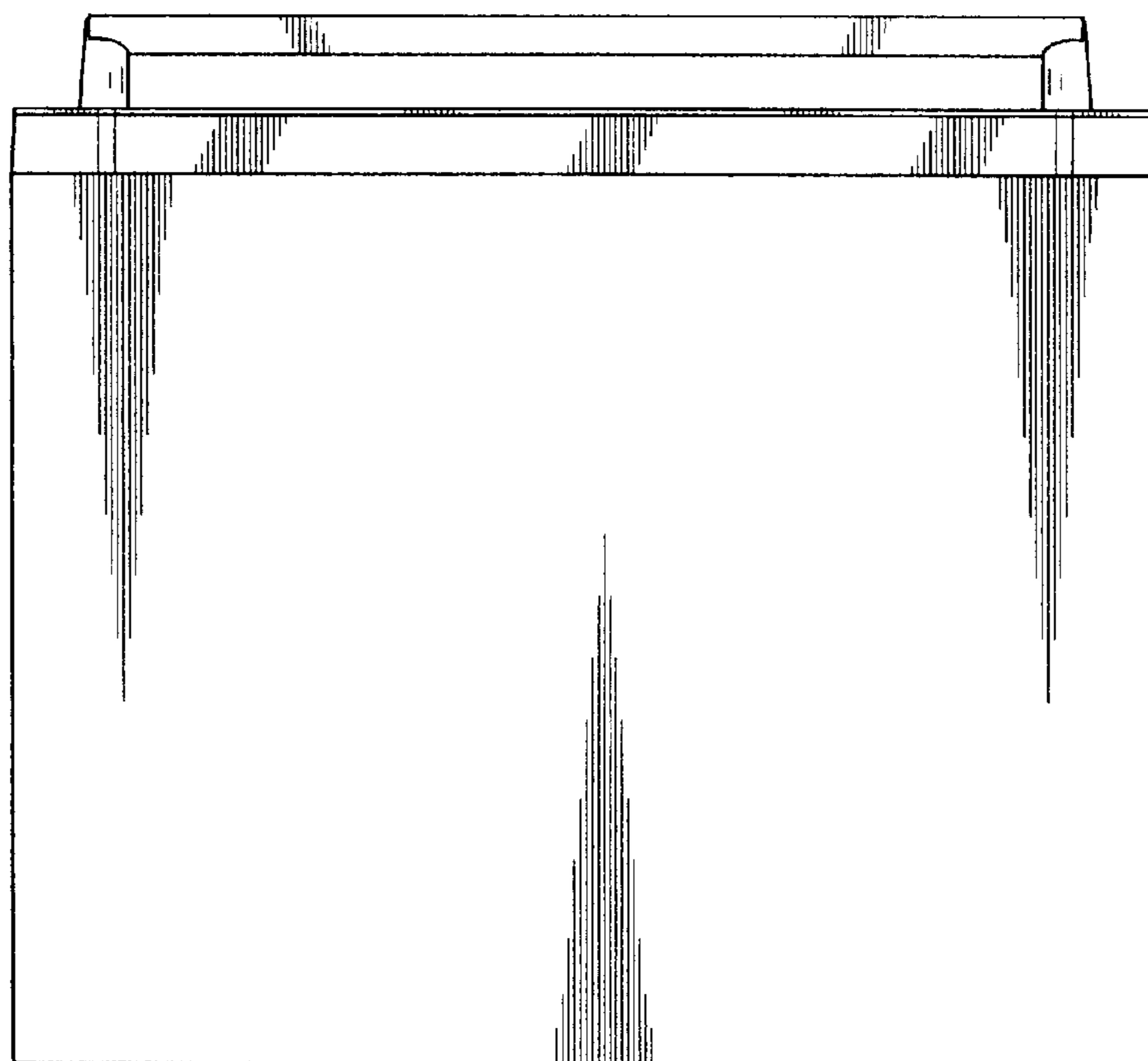


FIG. 6