

US00D541577S

(12) **United States Design Patent**  
**Kim**

(10) **Patent No.:** **US D541,577 S**

(45) **Date of Patent:** **\*\* May 1, 2007**

(54) **GAS OVEN RANGE**

(75) Inventor: **Tai-Kyung Kim**, Seoul (KR)

(73) Assignee: **Samsung Electronics Co., Ltd.**,  
Kyunggi-do (KR)

(\*\*) Term: **14 Years**

(21) Appl. No.: **29/262,195**

(22) Filed: **Jun. 28, 2006**

(51) **LOC (8) Cl.** ..... **07-02**

(52) **U.S. Cl.** ..... **D7/340**

(58) **Field of Classification Search** ..... D7/340,  
D7/323, 339-341, 346-348; 126/39 B, 211,  
126/214 R, 39 C, 39 R, 19 R, 273 R, 50;  
219/391-392

See application file for complete search history.

(56) **References Cited**

**U.S. PATENT DOCUMENTS**

- D375,867 S \* 11/1996 Sparks ..... D7/340
- D477,177 S \* 7/2003 Jeong ..... D7/340
- D511,926 S \* 11/2005 Baldwin ..... D7/340

**OTHER PUBLICATIONS**

U.S. Appl. No. 29/262,196, Applicant: Kang-Doo Kim, filed Jun. 28, 2006 entitled Gas Oven Range.

\* cited by examiner

*Primary Examiner*—Catherine R. Oliver

(74) *Attorney, Agent, or Firm*—Flynn, Thiel, Boutell & Tanis, P.C.

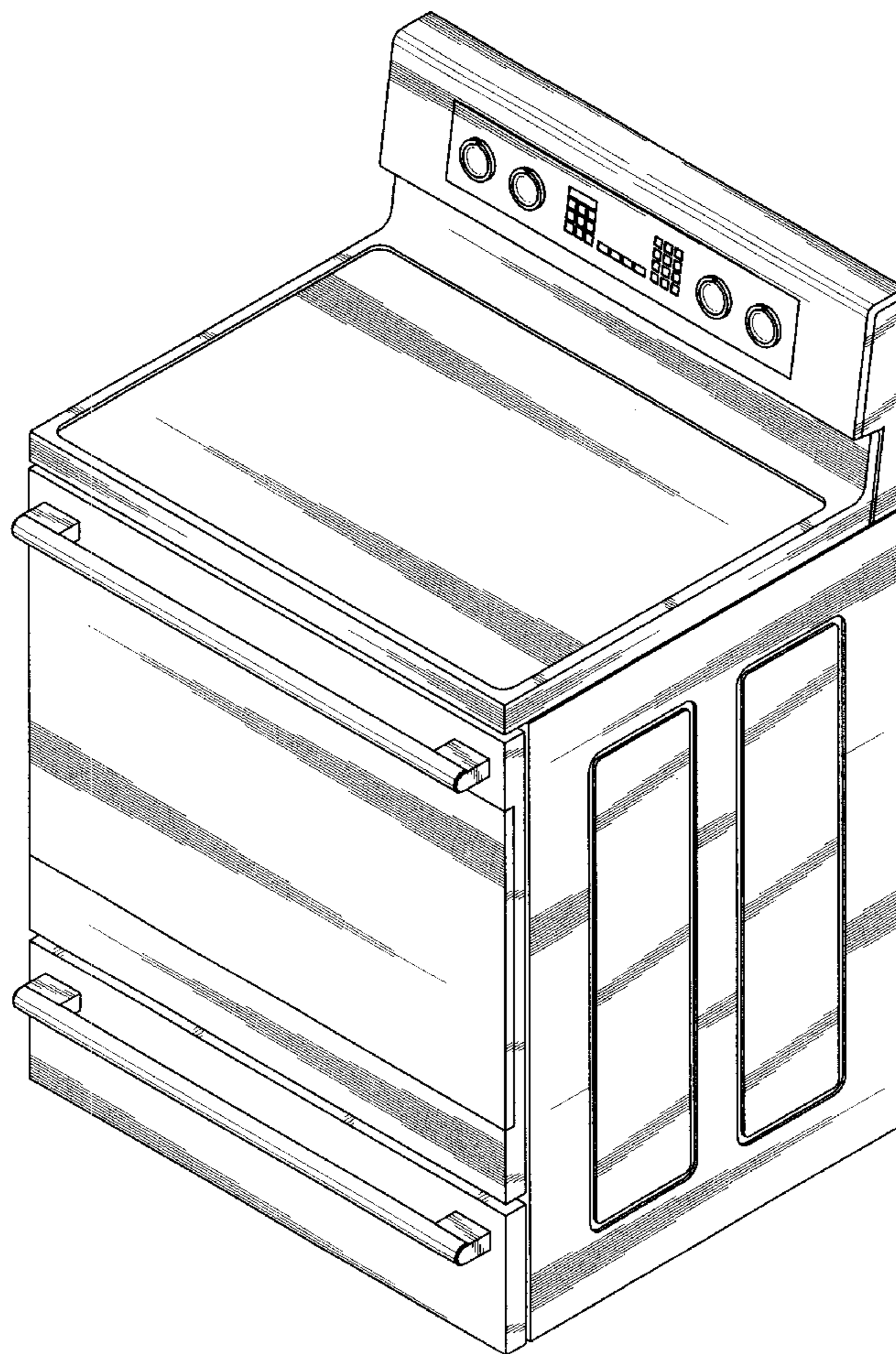
(57) **CLAIM**

The ornamental design for a gas oven range, as shown and described.

**DESCRIPTION**

FIG. 1 is a top front perspective view of a gas oven range showing my new design;  
 FIG. 2 is a front elevational view thereof;  
 FIG. 3 is a rear elevational view thereof;  
 FIG. 4 is a left side elevational view, the right side being symmetrical thereof;  
 FIG. 5 is a top plan view thereof; and,  
 FIG. 6 is a bottom plan view thereof.

**1 Claim, 4 Drawing Sheets**



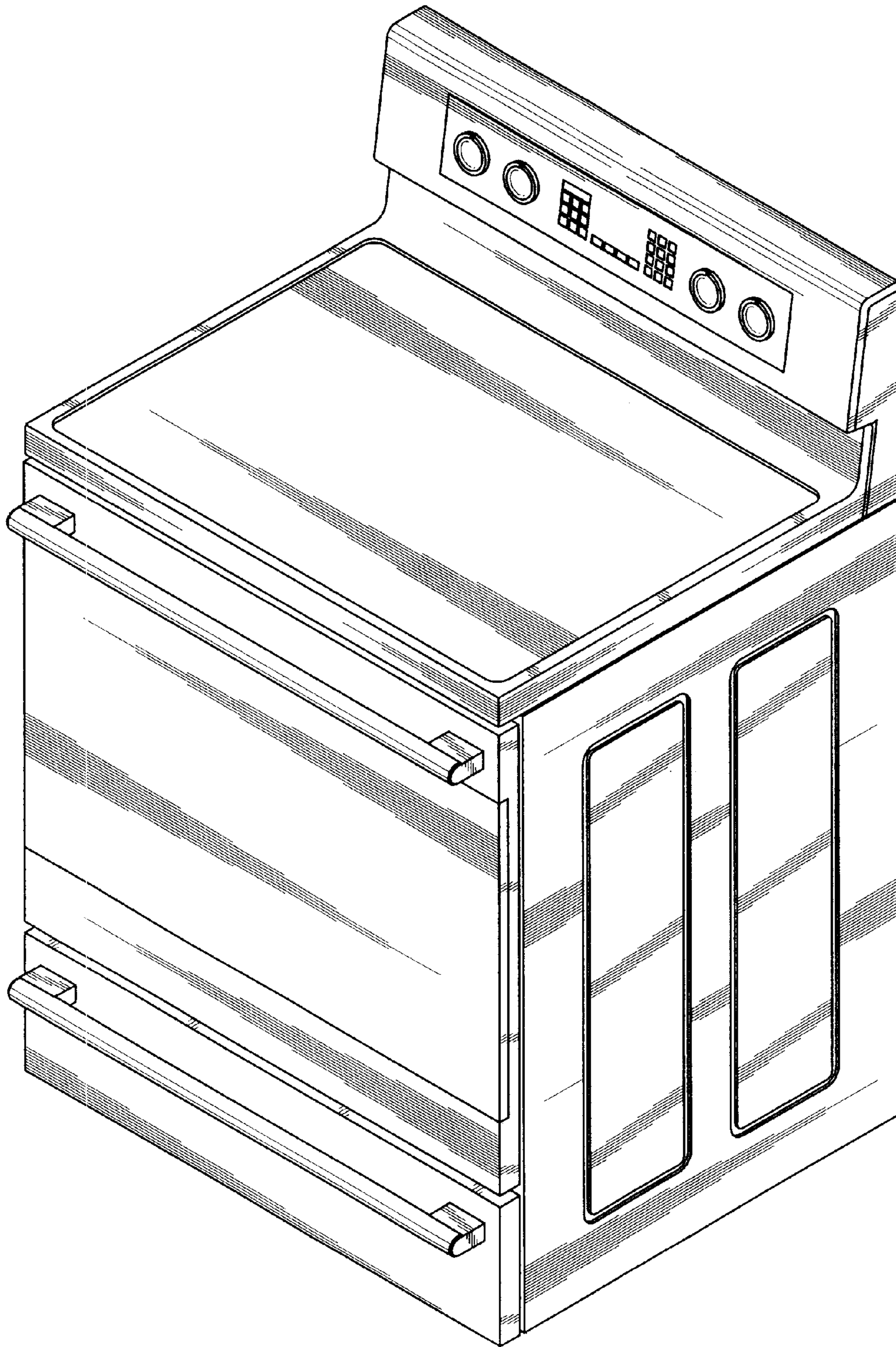


FIG. 1

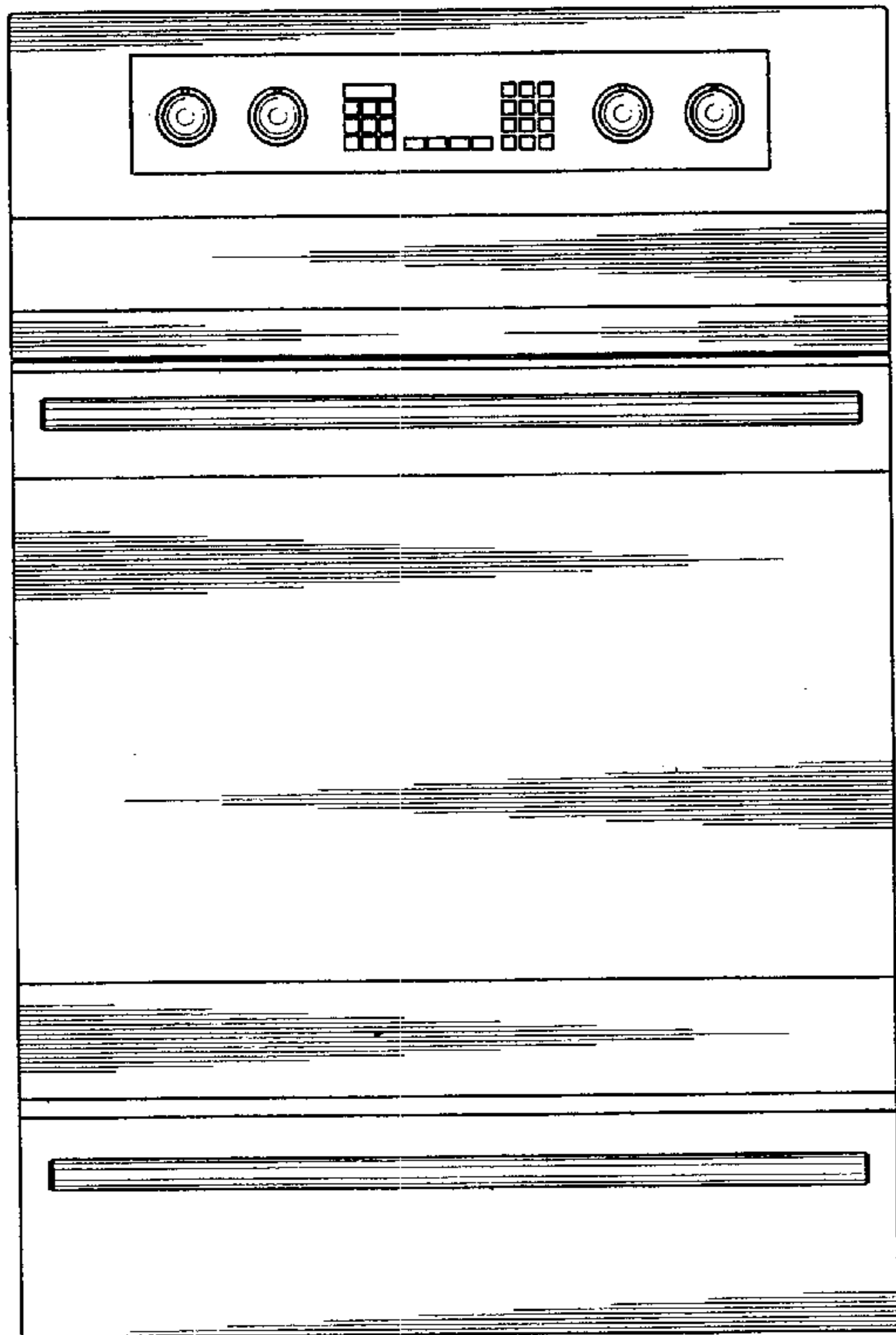


FIG. 2

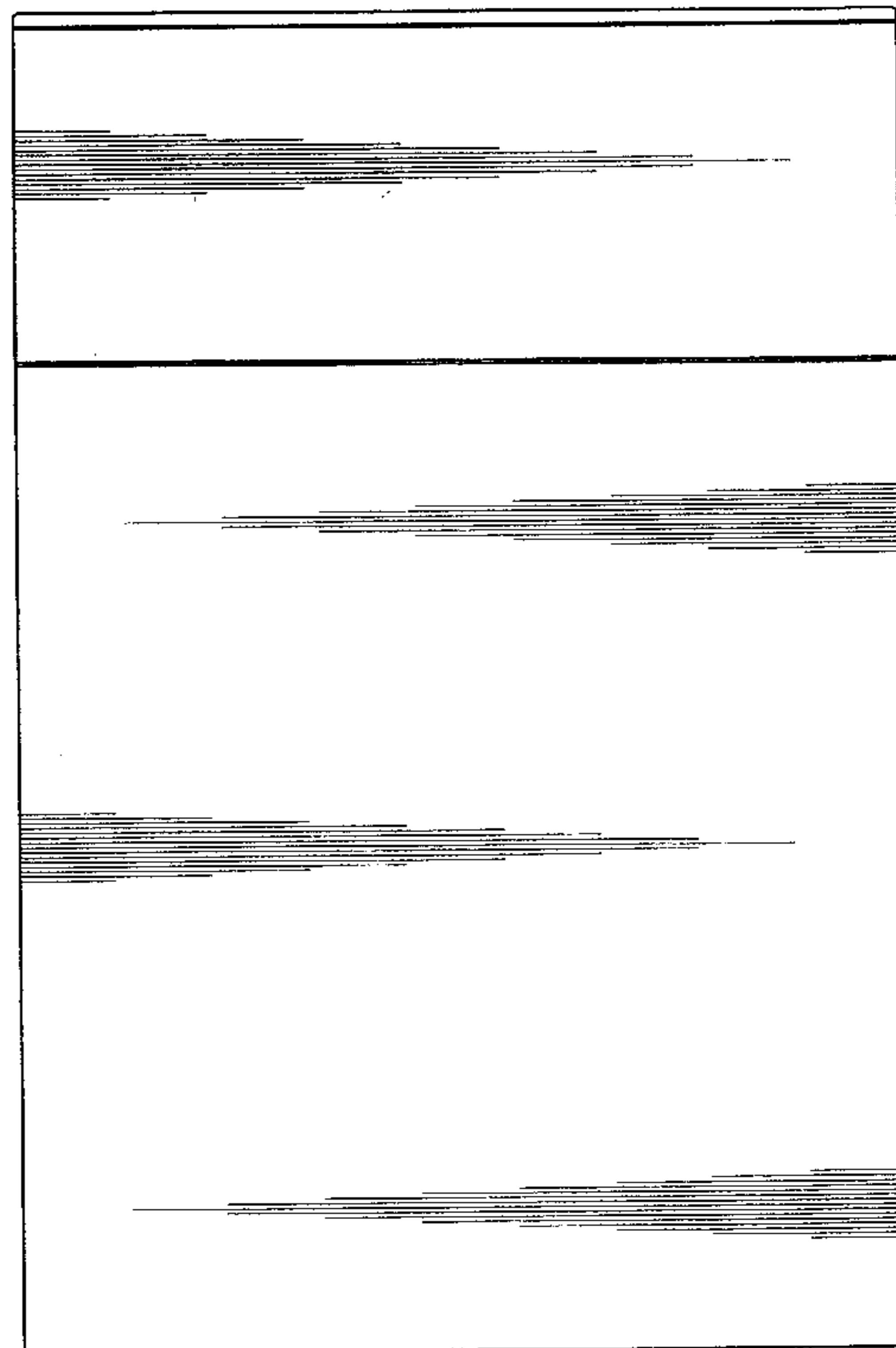


FIG. 3

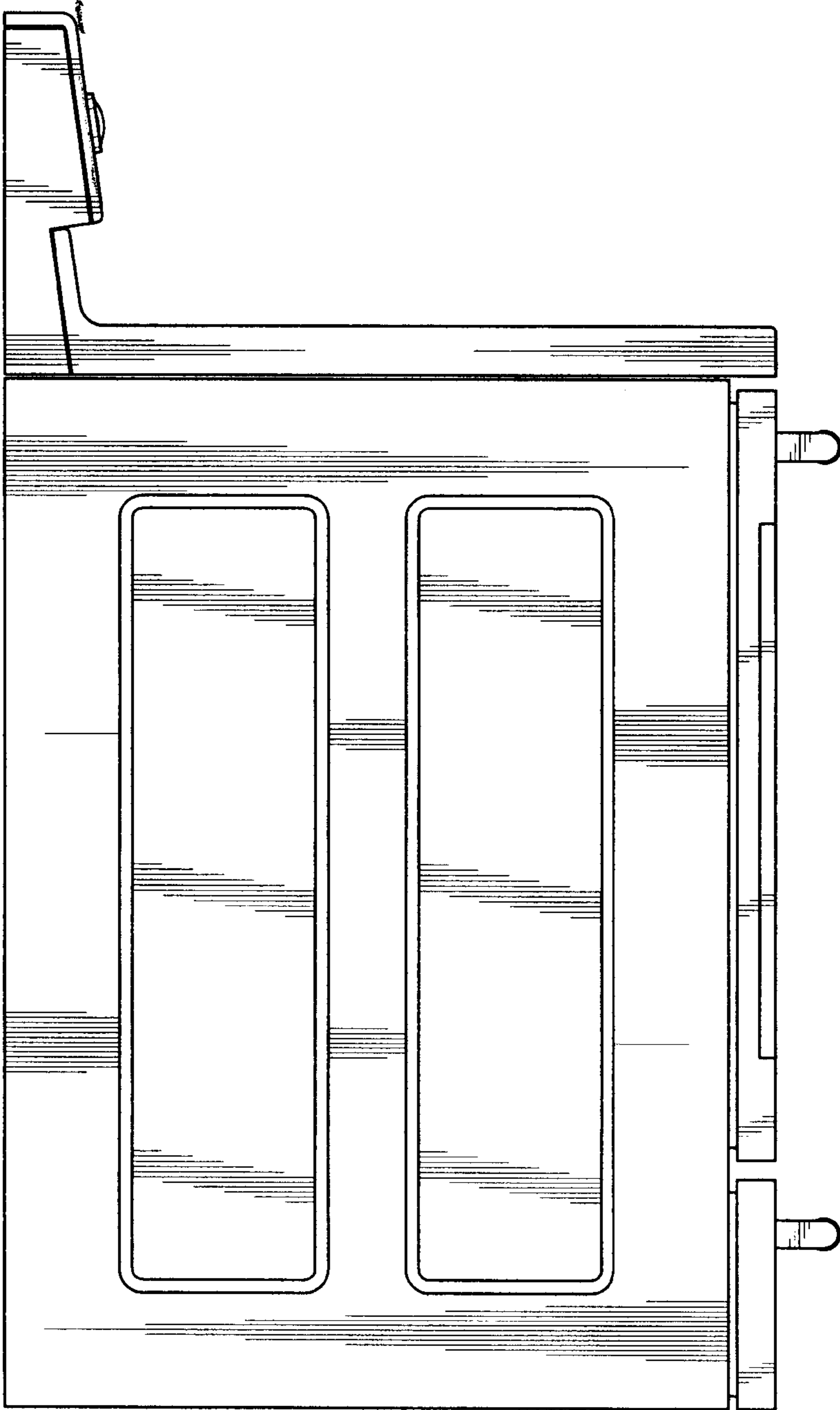


FIG.4

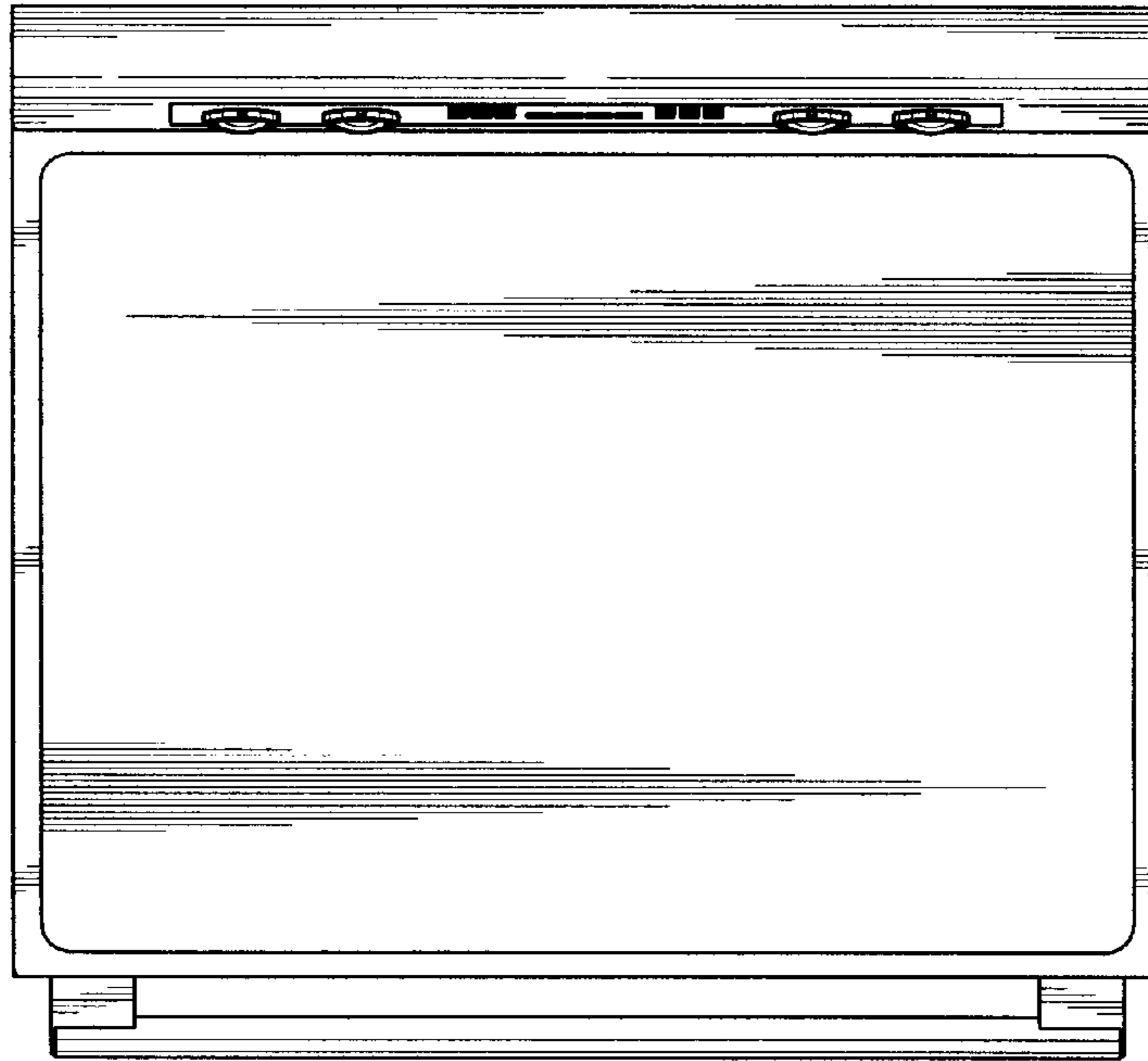


FIG. 5

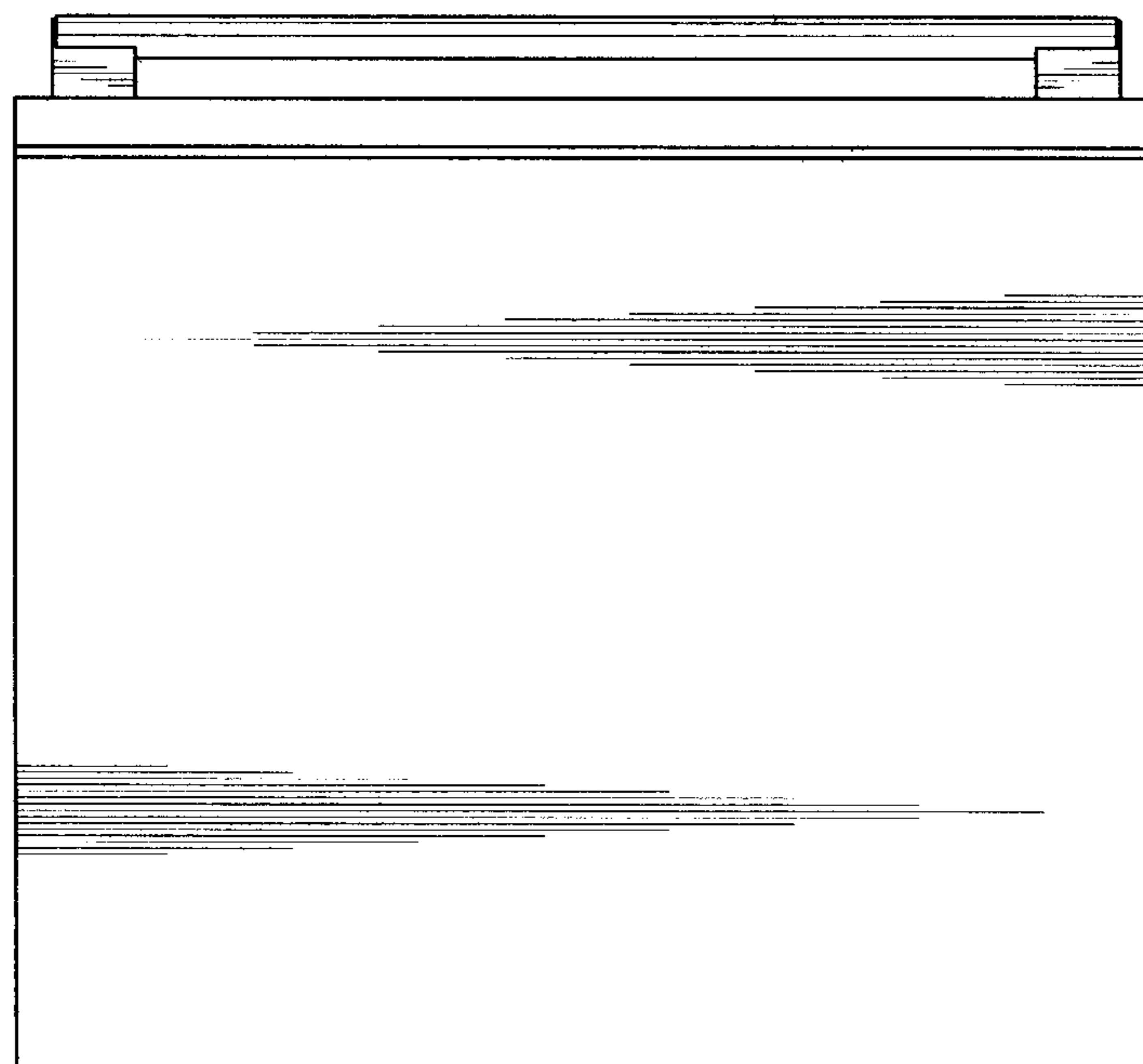


FIG. 6