

US00D541568S

(12) **United States Design Patent**
Metaxatos et al.

(10) **Patent No.:** **US D541,568 S**

(45) **Date of Patent:** **** May 1, 2007**

(54) **TASSEL FOR COVERINGS FOR ARCHITECTURAL OPENINGS**

(75) Inventors: **Paul K. Metaxatos**, Swampscott, MA (US); **Steffen Koury**, Everett, MA (US); **Mary Sarich**, Wilmington, MA (US); **Eric Nichols**, Cambridge, MA (US); **Kurt M. Maw**, Salem, MA (US)

(73) Assignee: **Hunter Douglas Inc.**, Upper Saddle River, NJ (US)

(**) Term: **14 Years**

(21) Appl. No.: **29/248,065**

(22) Filed: **Jul. 27, 2006**

(51) **LOC (8) Cl.** **06-10**

(52) **U.S. Cl.** **D6/581**

(58) **Field of Classification Search** D6/580, D6/582-594; D3/260; D13/155, 168; D14/218, D14/409; D16/235; 4/506; 52/169.5; 160/168.1 V, 160/170; 119/498; 156/73.1; 381/152; 442/32; 428/172, 192

See application file for complete search history.

(56) **References Cited**

U.S. PATENT DOCUMENTS

D351,828 S * 10/1994 Pucci et al. D13/168
D354,489 S * 1/1995 Patton et al. D14/218
D378,086 S * 2/1997 Sheehan et al. D14/409
D383,135 S * 9/1997 Arthur D14/218

D389,806 S * 1/1998 Nielsen D13/168
D452,520 S * 12/2001 Gotham et al. D16/235
6,516,070 B2 * 2/2003 Macey 381/152
D478,052 S * 8/2003 Thomas, Jr. D13/168
D529,448 S * 10/2006 de Melo et al. D13/168

* cited by examiner

Primary Examiner—T. Chase Nelson

Assistant Examiner—Barbara Blanton Lohr

(74) *Attorney, Agent, or Firm*—Dorsey & Whitney LLP

(57) **CLAIM**

The ornamental design for a tassel for coverings for architectural openings, as shown and described.

DESCRIPTION

FIG. 1 is an isometric of the tassel for coverings for architectural openings of the present invention.

FIG. 2 is an isometric looking downwardly at the front thereof.

FIG. 3 is a top plan view thereof.

FIG. 4 is a front elevation thereof.

FIG. 5 is a right side elevation thereof.

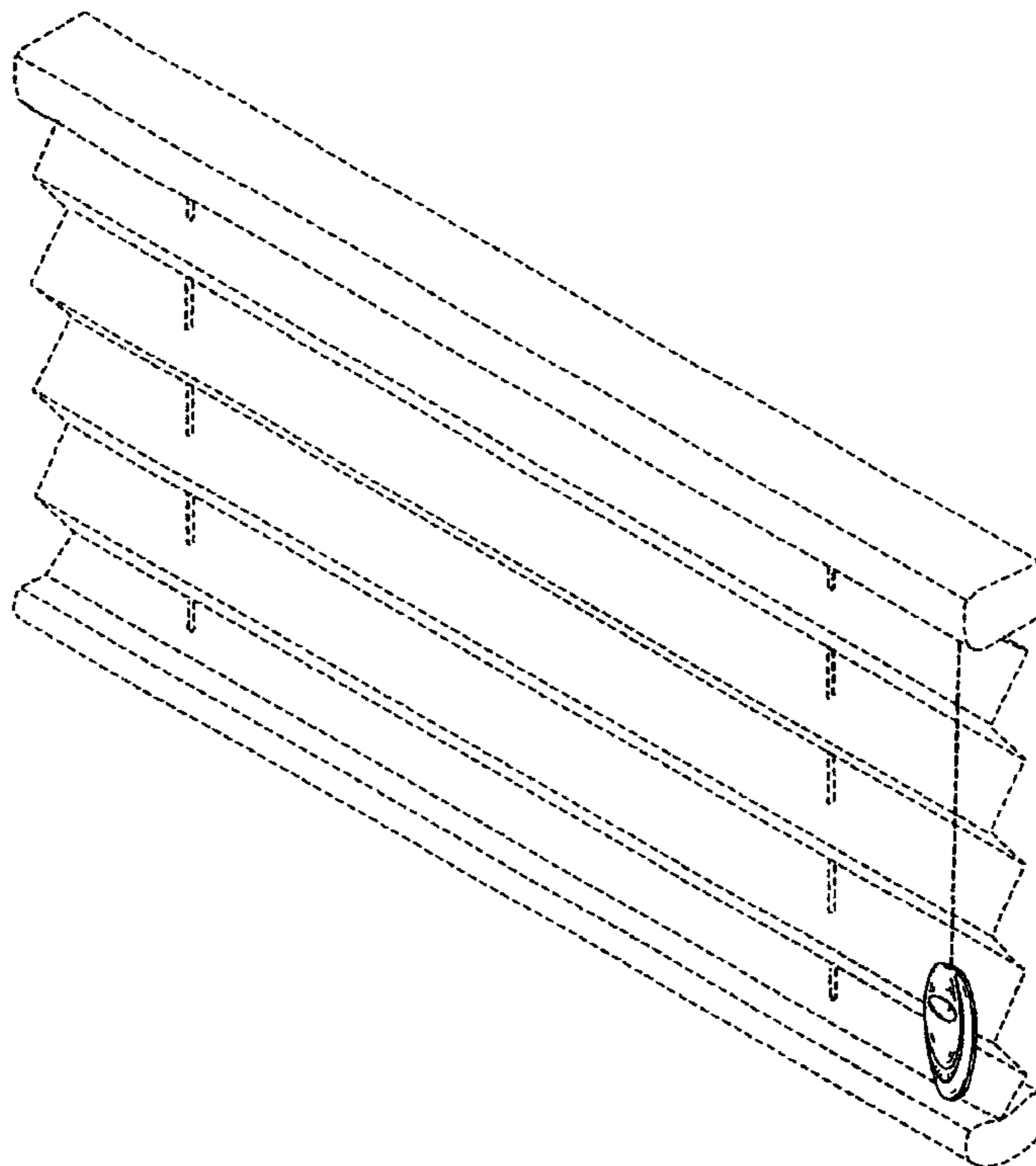
FIG. 6 is a rear elevation thereof.

FIG. 7 is a left side elevation thereof; and,

FIG. 8 is a bottom plan view thereof.

The broken lines in the drawing, showing the covering for the architectural opening and the environment of the new design, are for illustrative purposes only and form no part of the claimed design.

1 Claim, 3 Drawing Sheets



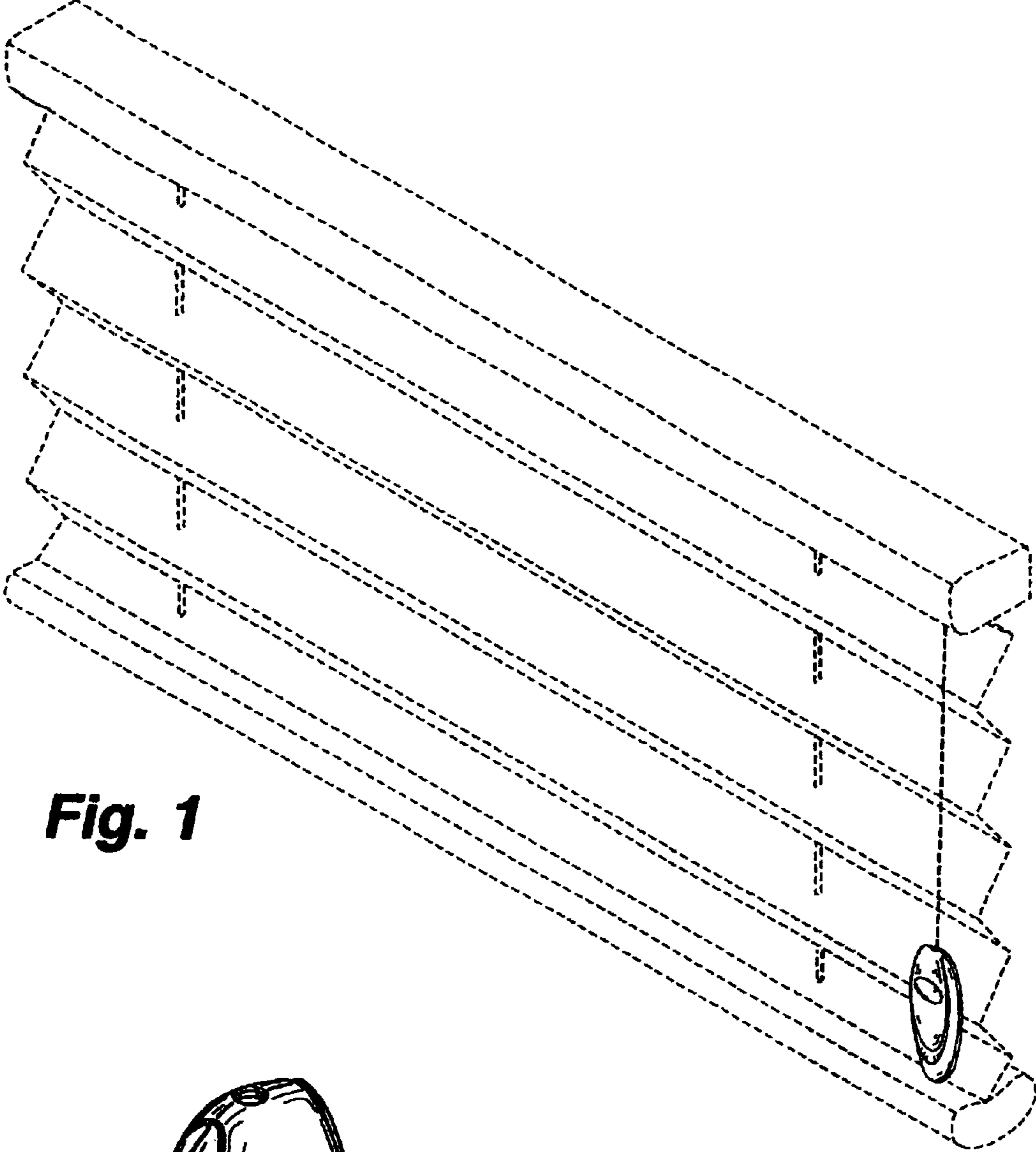


Fig. 1

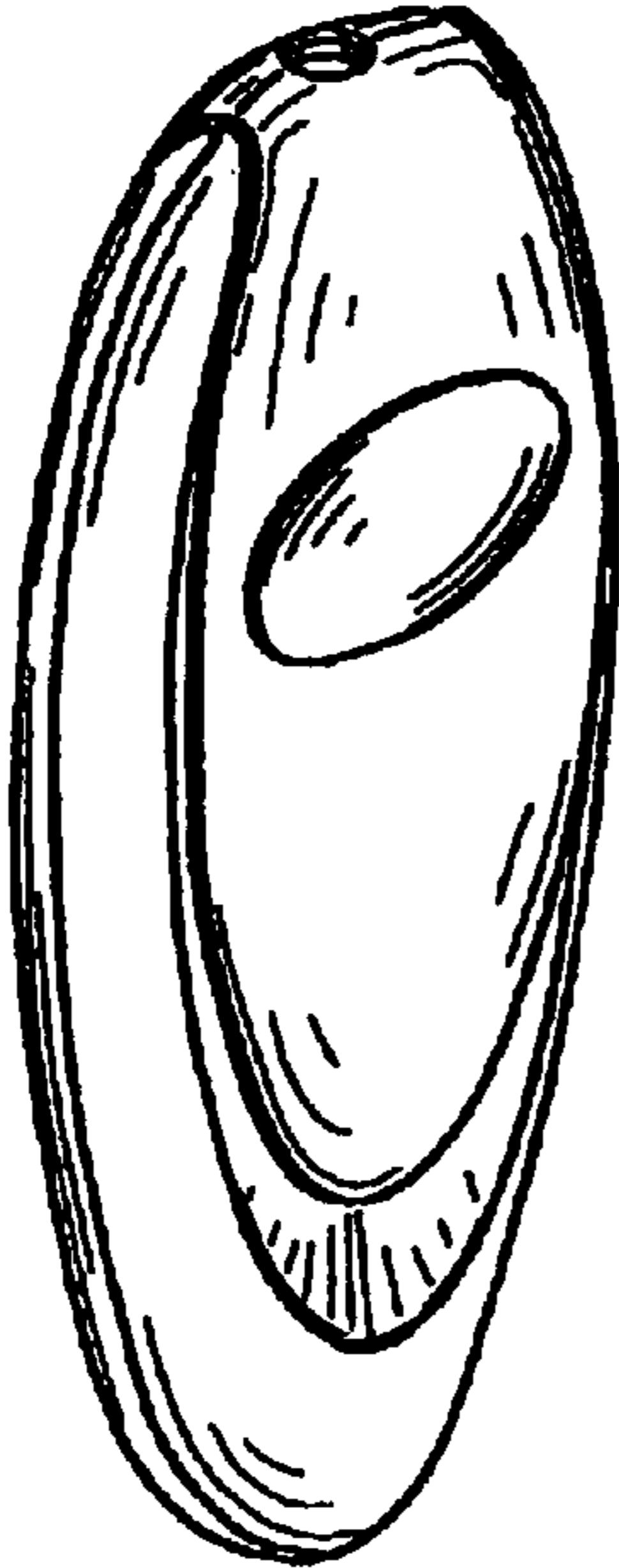


Fig. 2

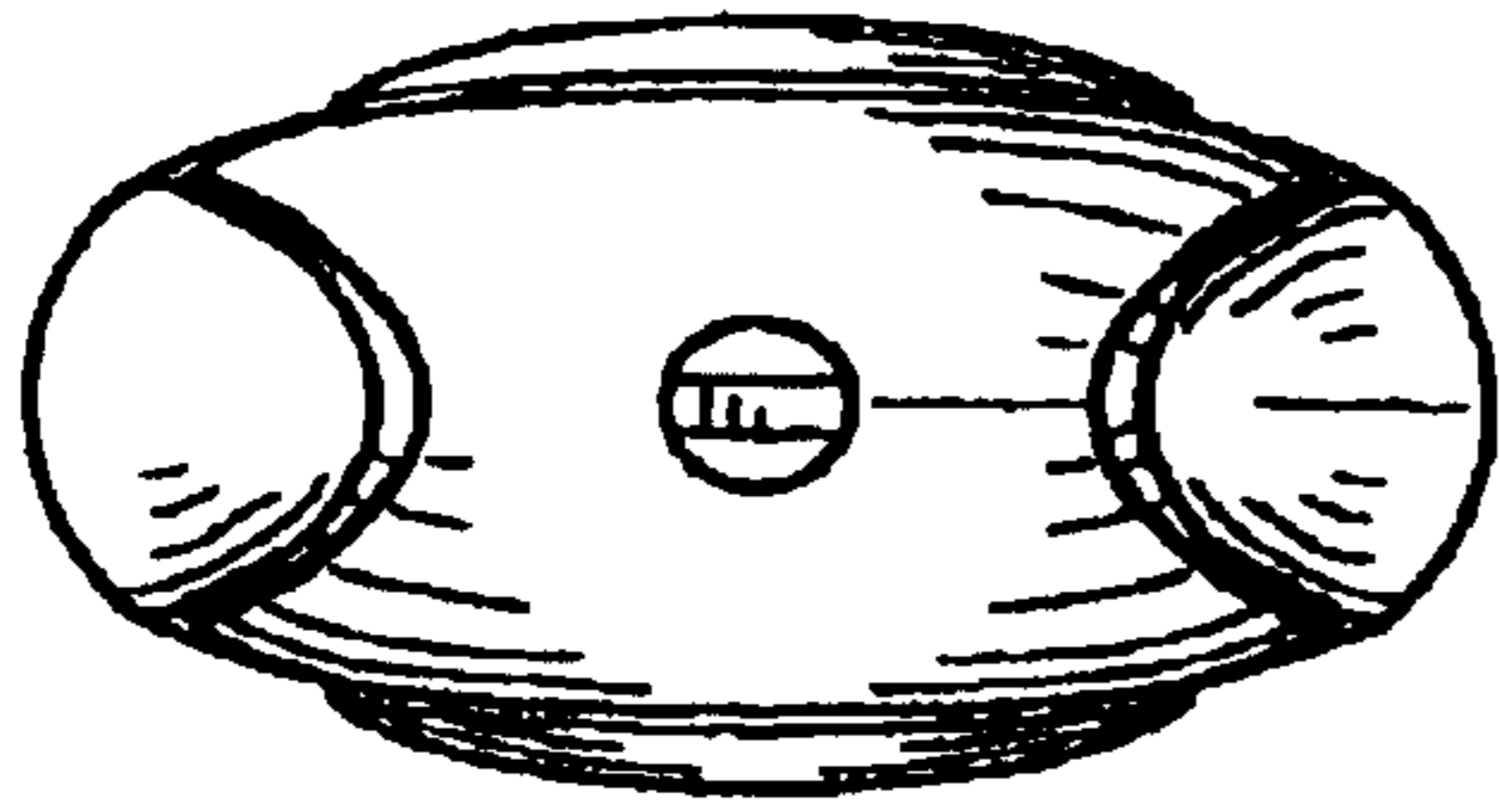


Fig. 3

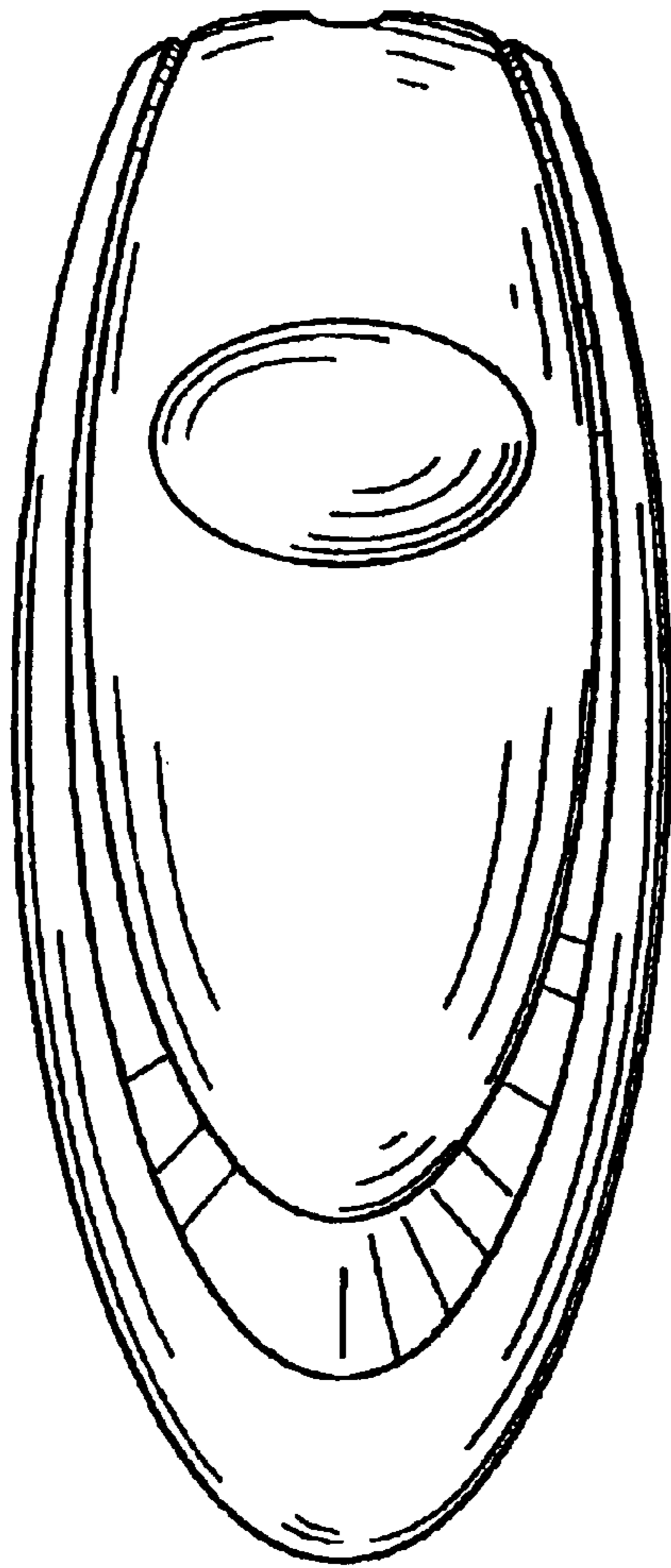


Fig. 4



Fig. 5

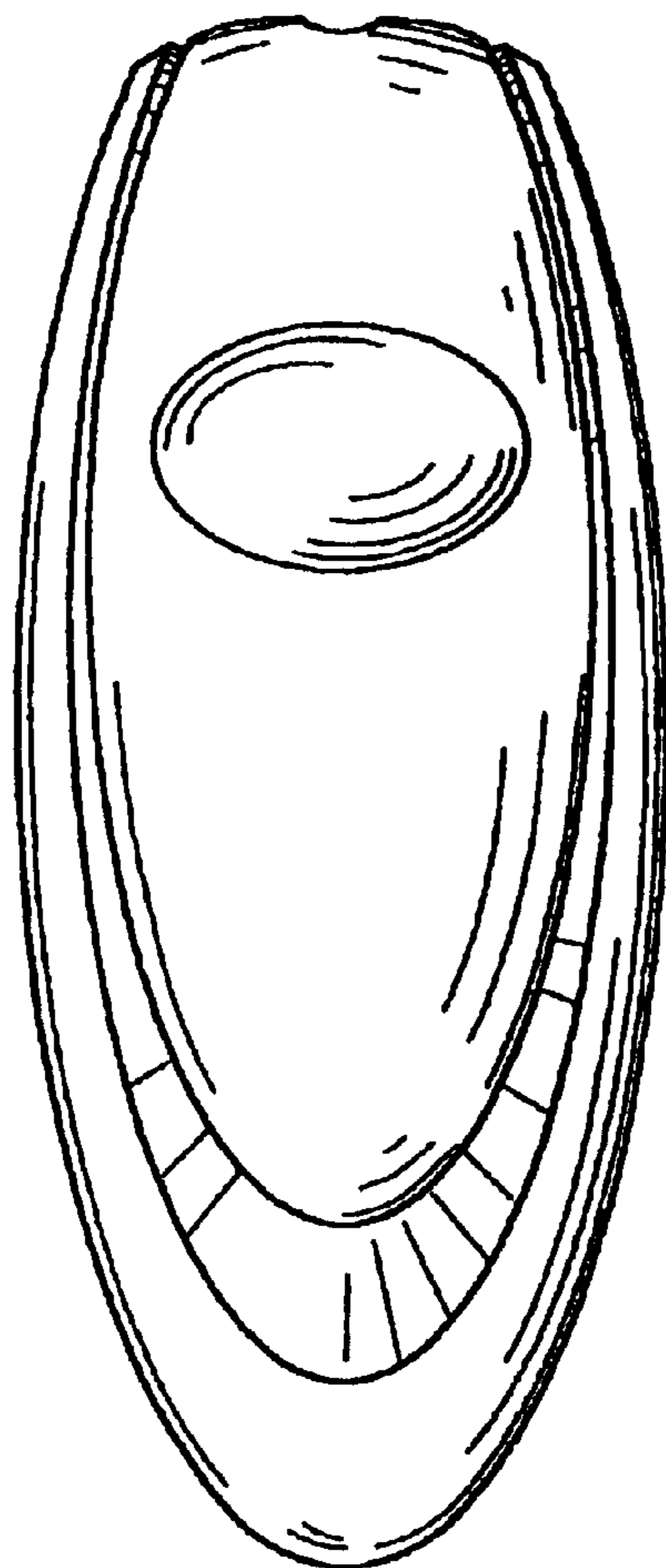


Fig. 6



Fig. 7

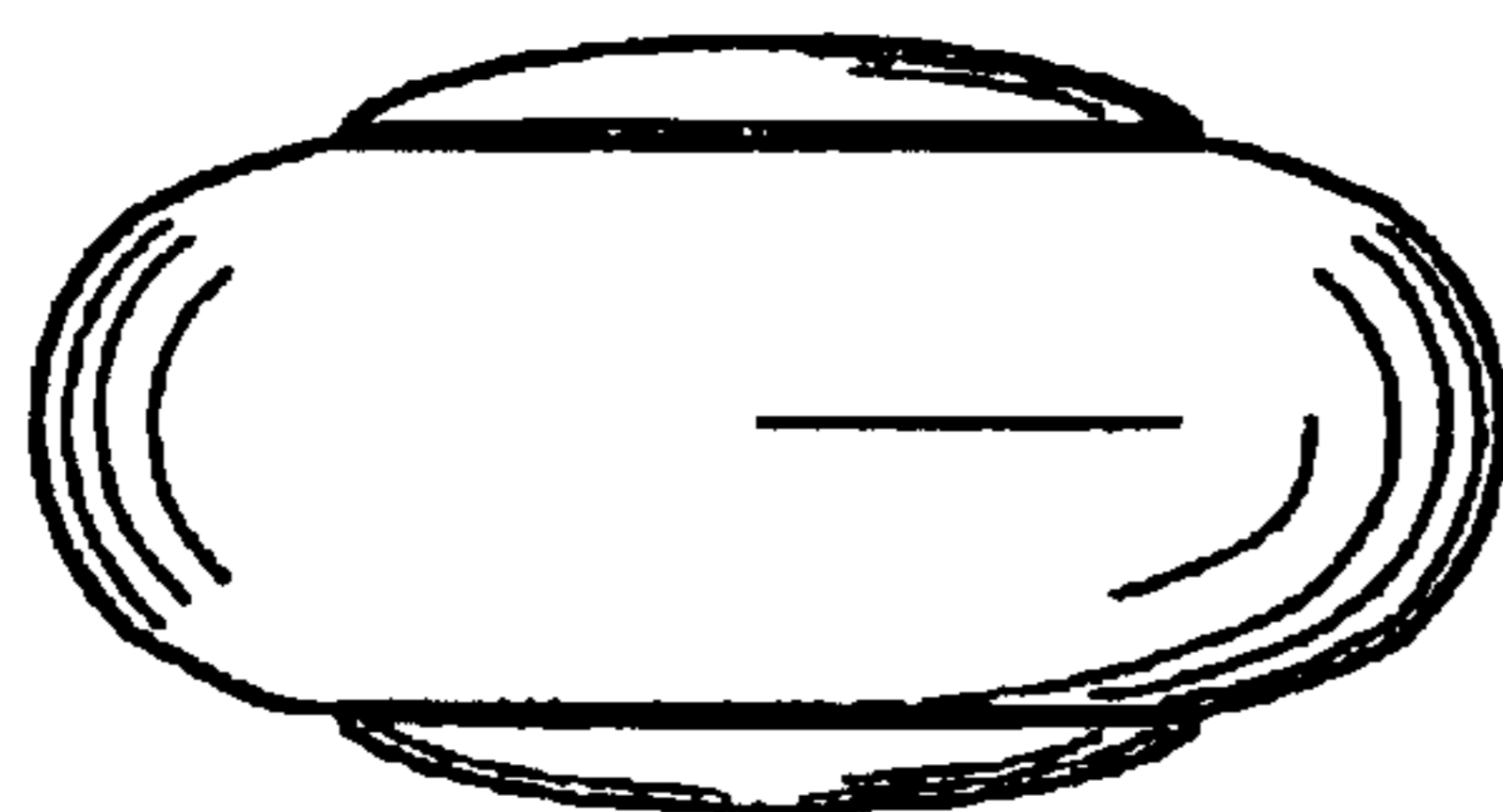


Fig. 8