

US00D541566S

(12) **United States Design Patent**
Allsopp

(10) **Patent No.:** **US D541,566 S**

(45) **Date of Patent:** **** May 1, 2007**

(54) **PLUG**

(75) **Inventor:** **Reginald Charles Allsopp**, Stockport
(GB)

(73) **Assignee:** **Louver-Lite Limited** (GB)

(**) **Term:** **14 Years**

(21) **Appl. No.:** **29/251,001**

(22) **Filed:** **Jan. 3, 2006**

(30) **Foreign Application Priority Data**

Jul. 8, 2005 (EM) 000373089-0001

(51) **LOC (8) Cl.** **06-10**

(52) **U.S. Cl.** **D6/580**

(58) **Field of Classification Search** D6/575,
D6/580-594; D3/260; D20/44; D23/343;
D25/119, 122, 124; 4/506; 52/169.5; 160/32,
160/84.02, 84.3-84.08, 84.12, 98, 107, 108,
160/112, 115, 166.1 R, 168.1 R, 170 R, 171 R,
160/173 R, 179-180, 192-193, 178.2-178.3,
160/231.1, 236, 243, 321, 348, 375.1, 375.3,
160/375.5, 329; 248/251, 252, 262; 16/205;
D8/354; 600/200

See application file for complete search history.

(56) **References Cited**

U.S. PATENT DOCUMENTS

D333,936 S * 3/1993 van der Zanden D6/580
D349,624 S * 8/1994 Fraser et al. D6/580

D440,445 S * 4/2001 Fraser D6/580
D479,080 S * 9/2003 Damiano D6/580
6,739,373 B1 * 5/2004 Liu et al. 160/321
D498,635 S * 11/2004 Allsopp D6/580
6,948,216 B2 * 9/2005 Gaudyn et al. 16/205
D517,900 S * 3/2006 Goldenberg et al. D8/354
D518,326 S * 4/2006 Allsopp D6/580
2002/0021950 A1 2/2002 Ichikawa

FOREIGN PATENT DOCUMENTS

GB 2 392 703 3/2004
JP 06 058312 3/1994

* cited by examiner

Primary Examiner—T. Chase Nelson

Assistant Examiner—Barbara Blanton Lohr

(74) *Attorney, Agent, or Firm*—Haugen Law Firm PLLP

(57) **CLAIM**

The ornamental design for a plug, as shown and described.

DESCRIPTION

FIG. 1 is a lower front perspective view of the present invention;

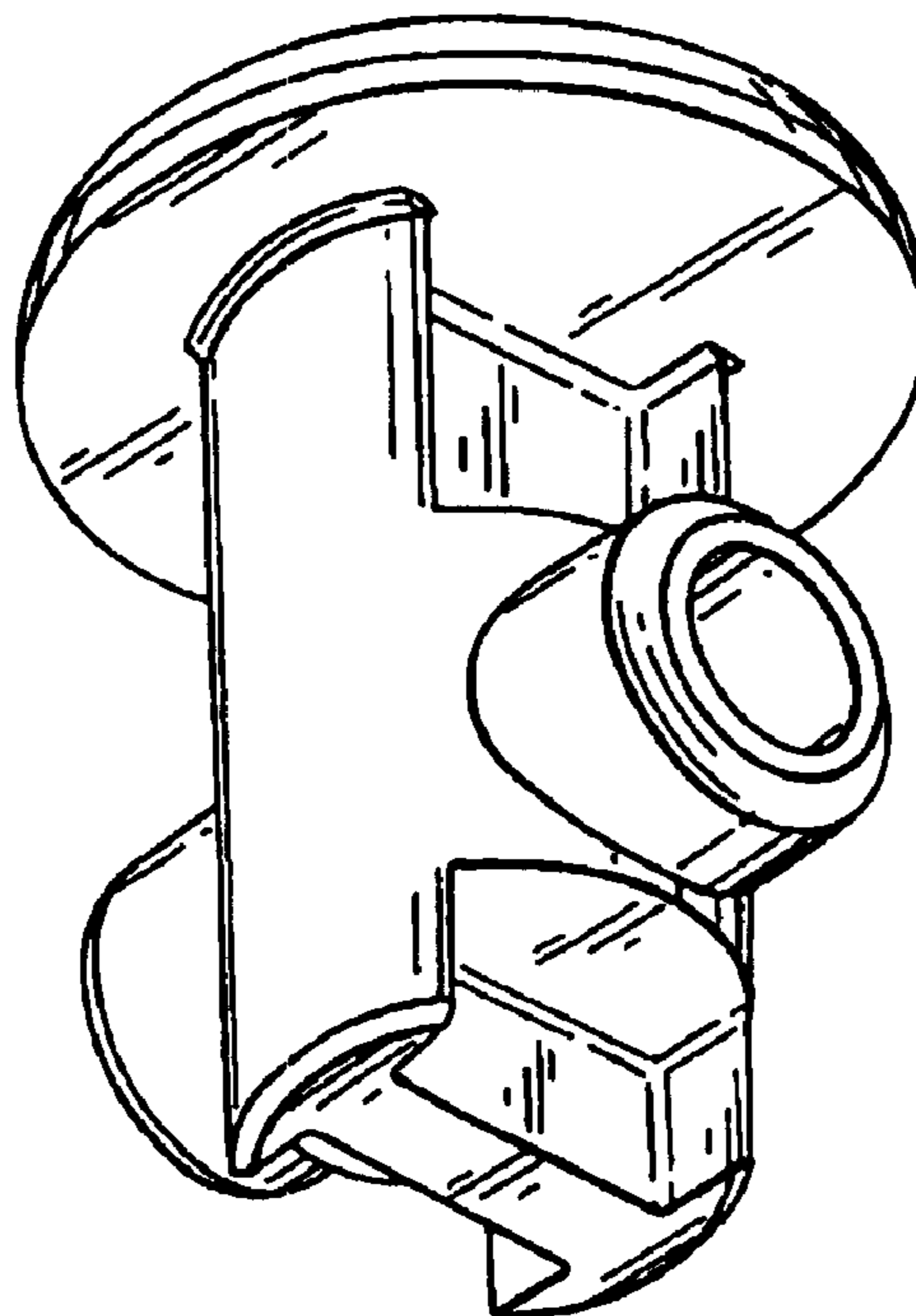
FIG. 2 is a lower rear perspective view of the present invention;

FIG. 3 is a side elevational view of the present invention;

FIG. 4 is a upper front perspective view of the present invention; and,

FIG. 5 is a upper rear perspective view of the present invention.

1 Claim, 2 Drawing Sheets



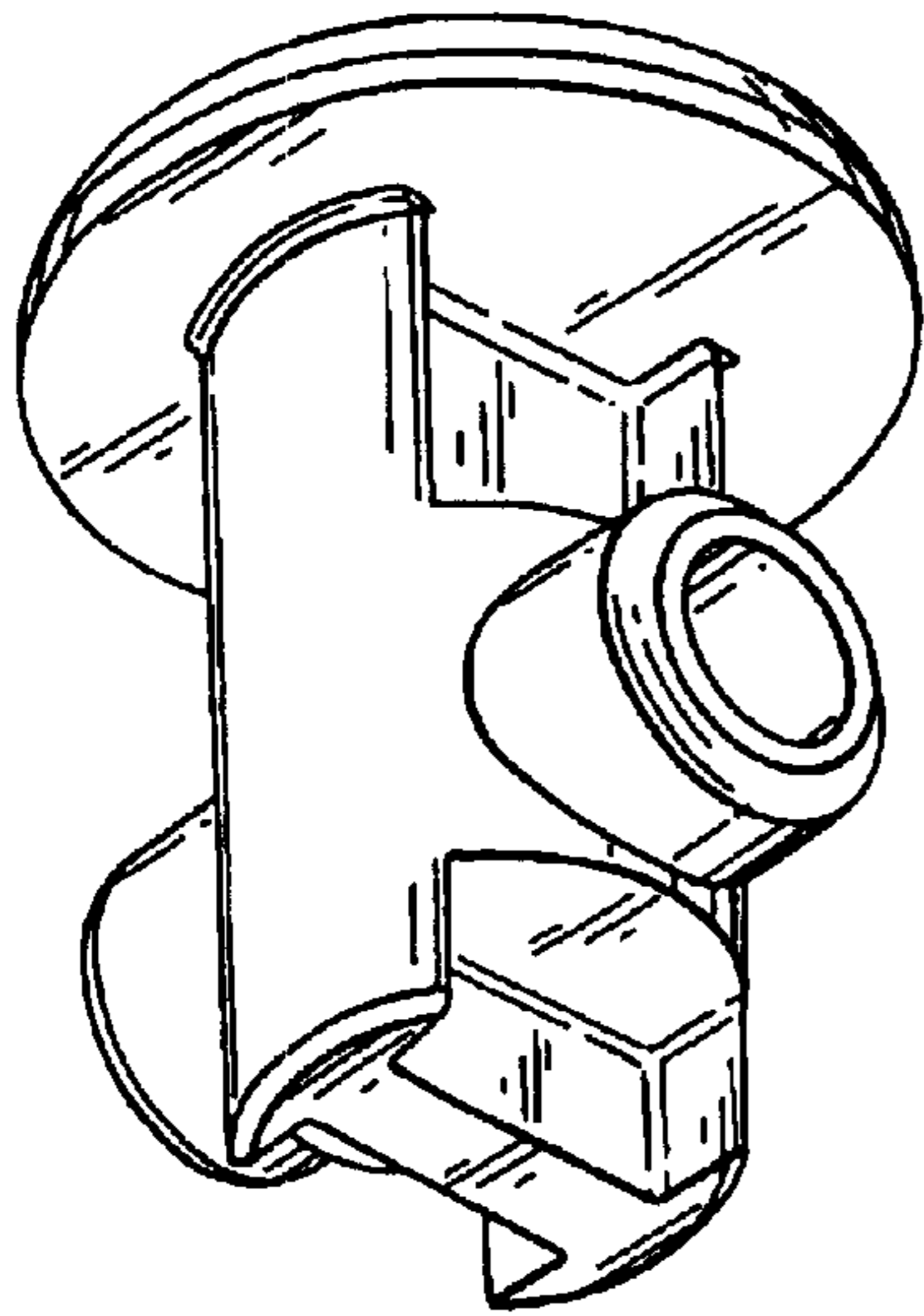


Fig. 1

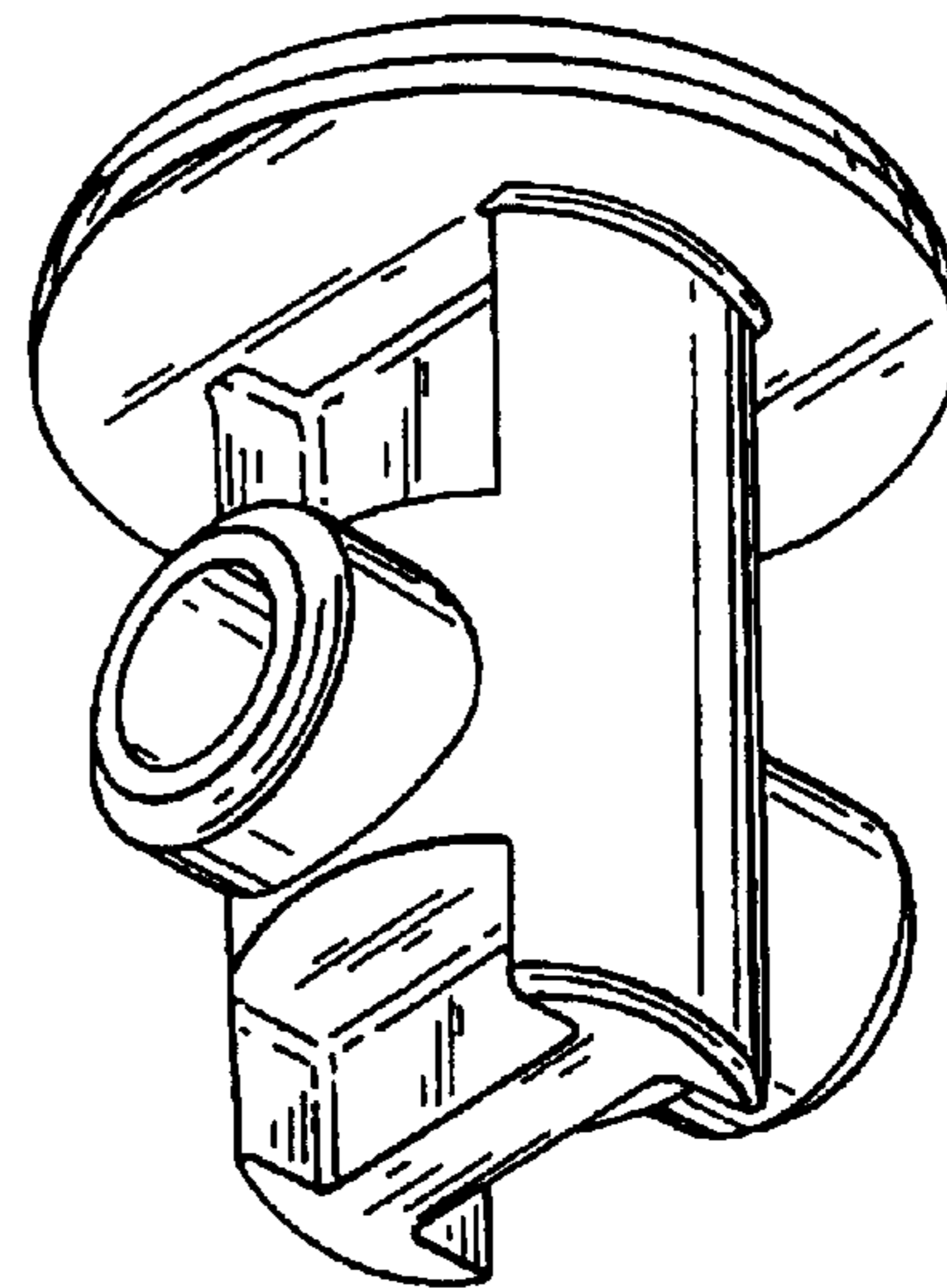


Fig. 2

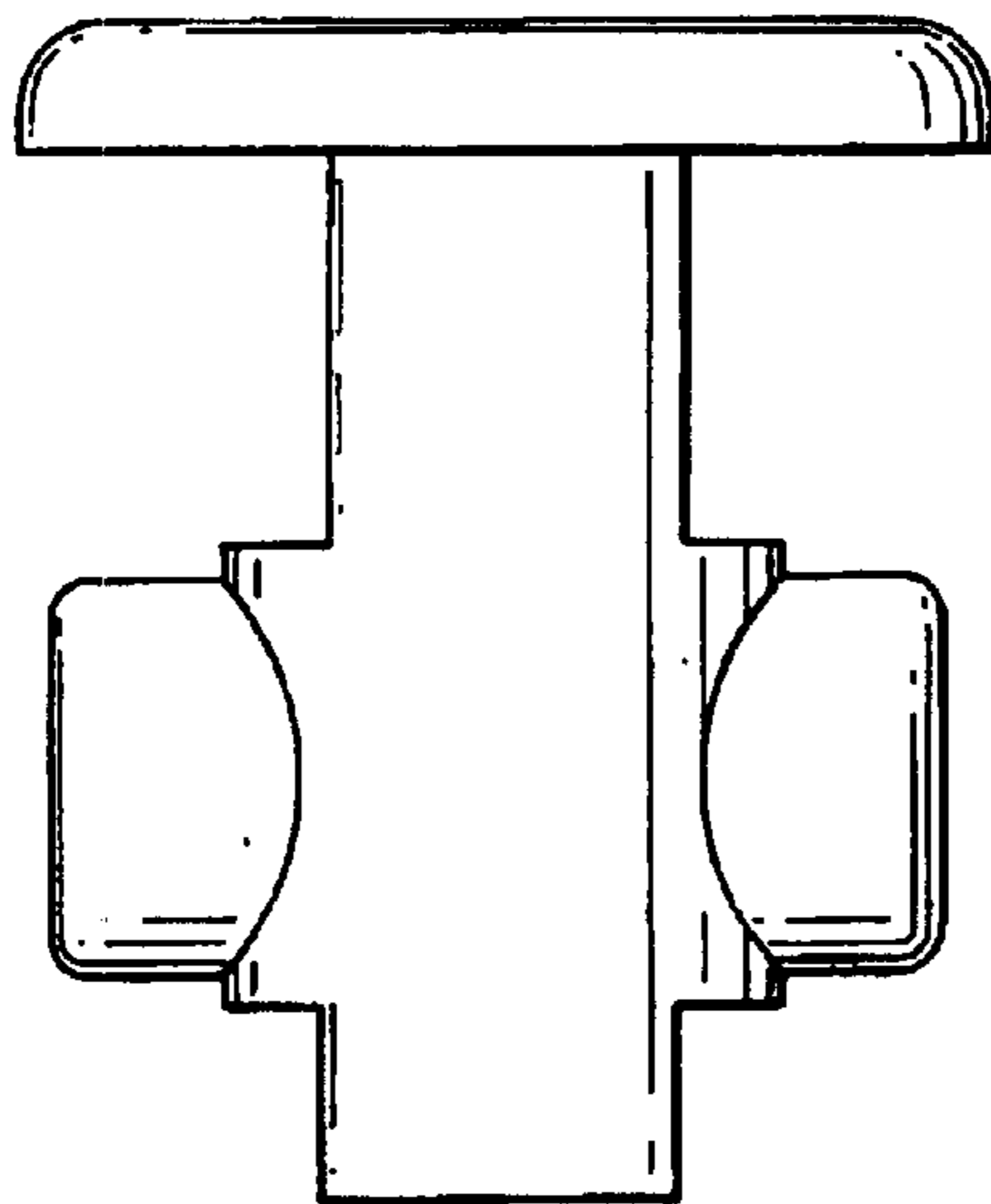


Fig. 3

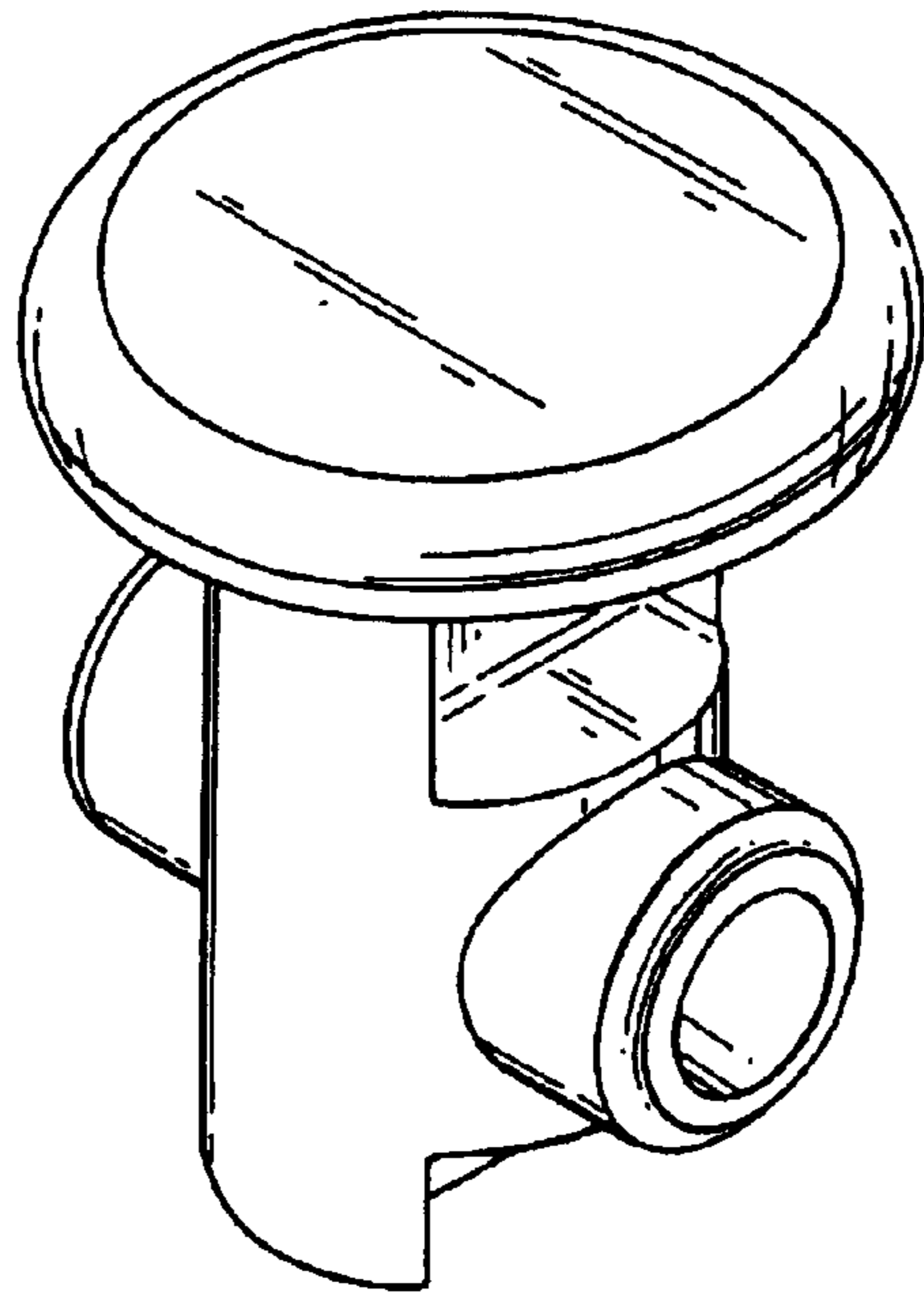


Fig. 4

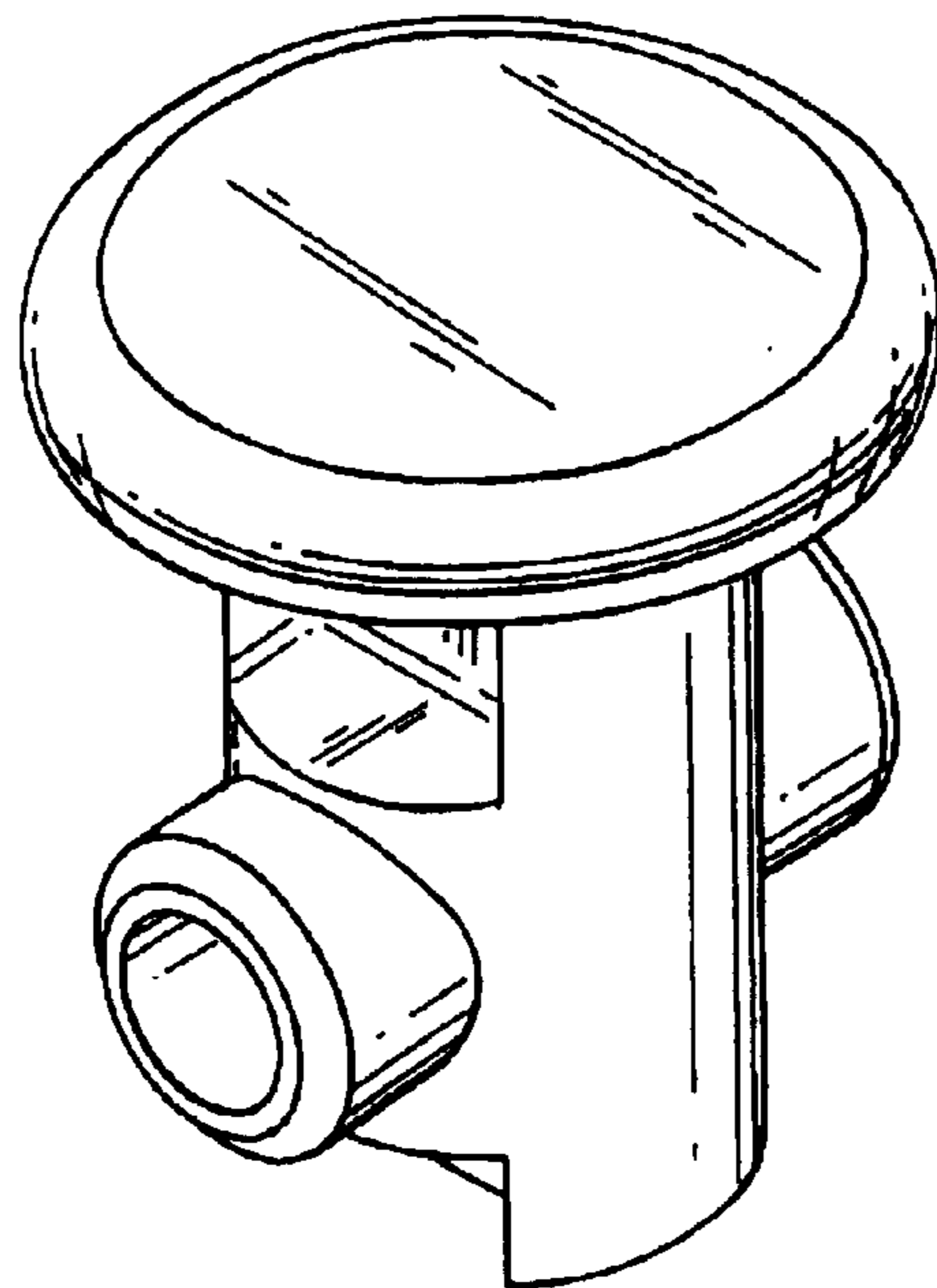


Fig. 5