

US00D541565S

(12) **United States Design Patent**  
**Lin et al.**

(10) **Patent No.:** **US D541,565 S**

(45) **Date of Patent:** **\*\* May 1, 2007**

(54) **HAND TOOL RACK**

6,360,892 B1 \* 3/2002 Chen ..... 211/70.6

D481,897 S \* 11/2003 Liu ..... D6/570

6,758,350 B2 \* 7/2004 Lin ..... 211/70.6

(75) Inventors: **Tina Lin**, Taichung (TW); **Charlie Tseng**, Taichung (TW)

\* cited by examiner

(73) Assignee: **Sea Way Hand Tool Corporation**, Taichung (TW)

*Primary Examiner*—Brian N Vinson

(74) *Attorney, Agent, or Firm*—Ladas and Parry LLP

(\*\*) Term: **14 Years**

(57) **CLAIM**

(21) Appl. No.: **29/218,542**

The ornamental design for a hand tool rack, as shown and described.

(22) Filed: **Dec. 3, 2004**

**DESCRIPTION**

(51) **LOC (8) Cl.** ..... **06-04**

(52) **U.S. Cl.** ..... **D6/570**

(58) **Field of Classification Search** ..... D6/512–514,  
D6/553, 567–570; 206/207, 349, 372, 376,  
206/377, 378; 211/70.6

See application file for complete search history.

FIG. 1 is a perspective view of a hand tool rack of the new design;

FIG. 2 is a front view thereof;

FIG. 3 is a rear view thereof;

FIG. 4 is a top view thereof;

FIG. 5 is a bottom view thereof;

FIG. 6 is a left side view thereof;

FIG. 7 is a right side view thereof; and,

FIG. 8 is a reference view showing the rack with a handle.

The broken lines showing on drawings are for illustrative purposes only and form no part of the claimed design.

(56) **References Cited**

U.S. PATENT DOCUMENTS

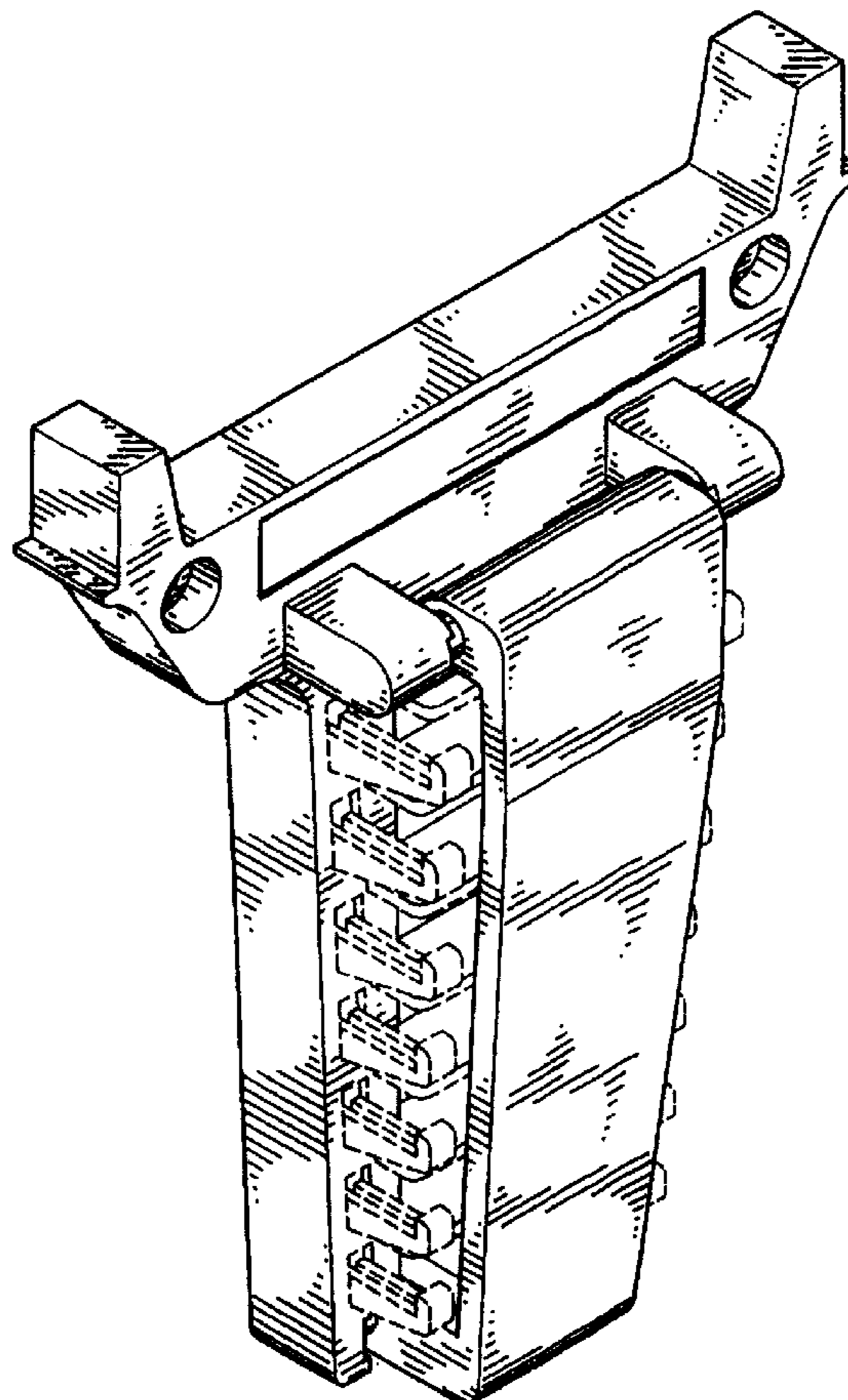
3,370,696 A \* 2/1968 Groe ..... 211/70.6

D312,017 S \* 11/1990 Gould ..... D6/553

D356,465 S \* 3/1995 Classen ..... D6/570

D415,349 S \* 10/1999 Chen ..... D6/570

**1 Claim, 6 Drawing Sheets**



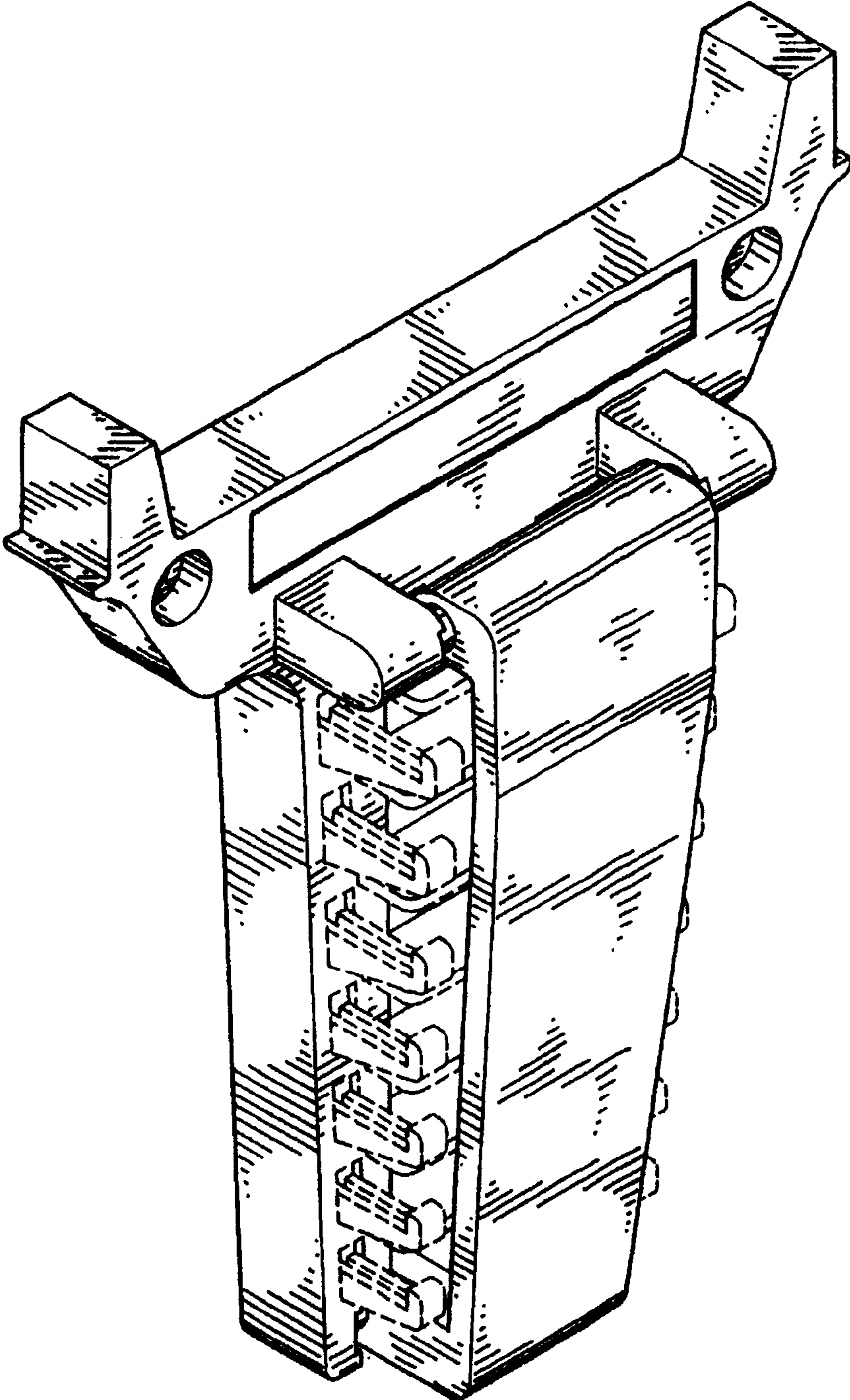


FIG. 1

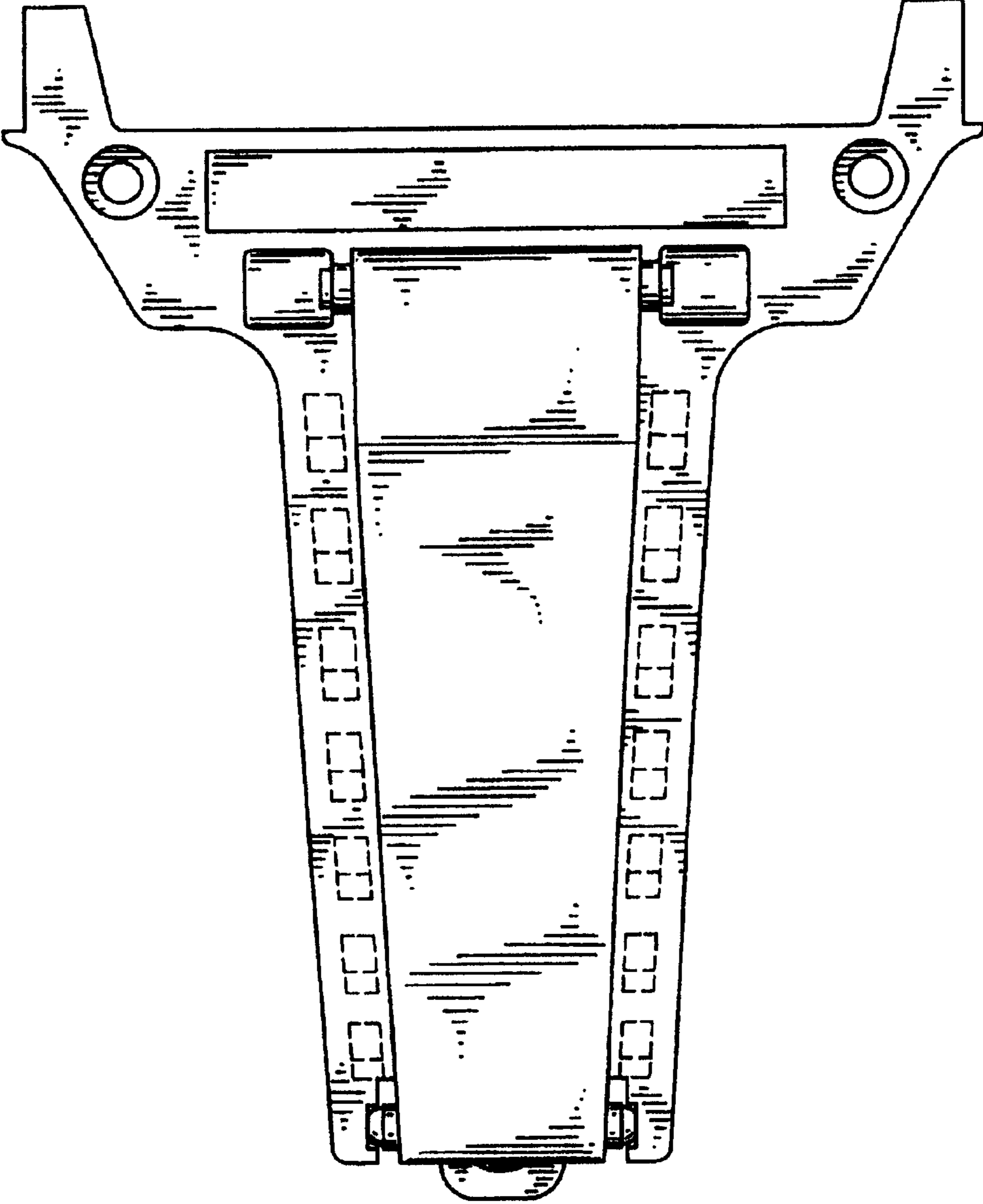


FIG. 2

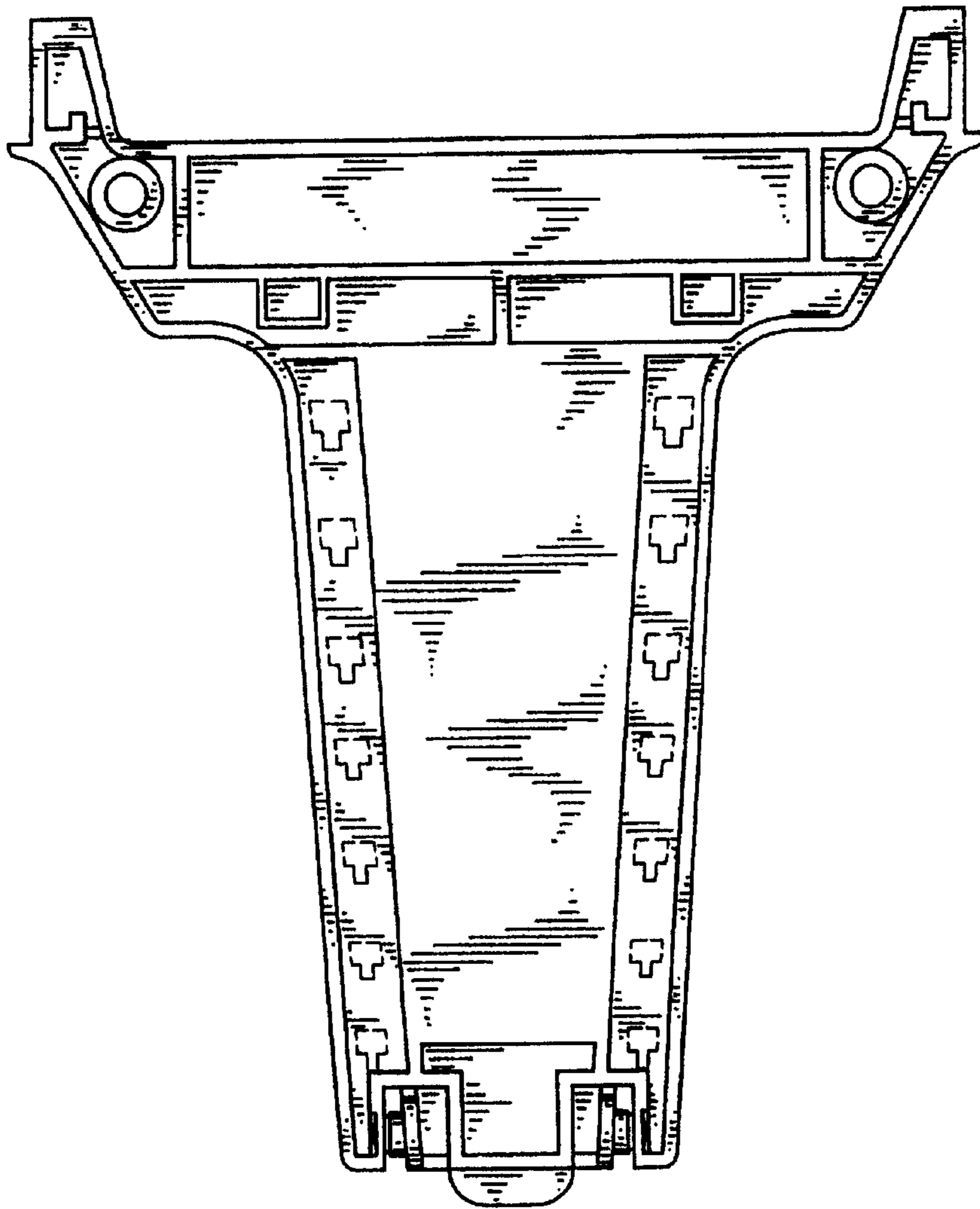


FIG. 3

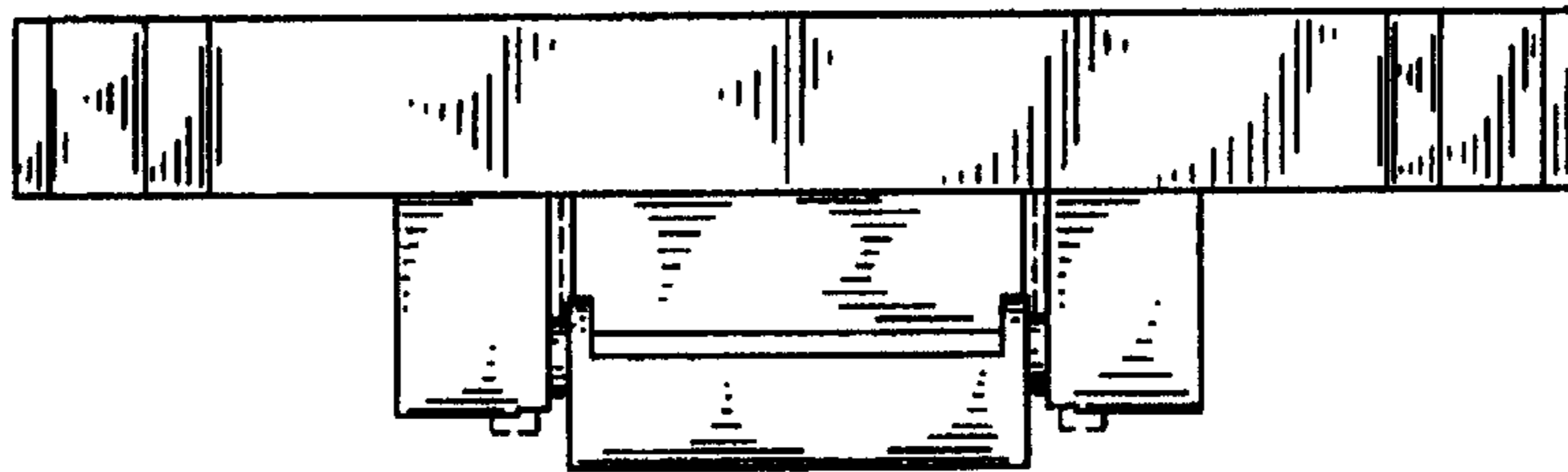


FIG. 4

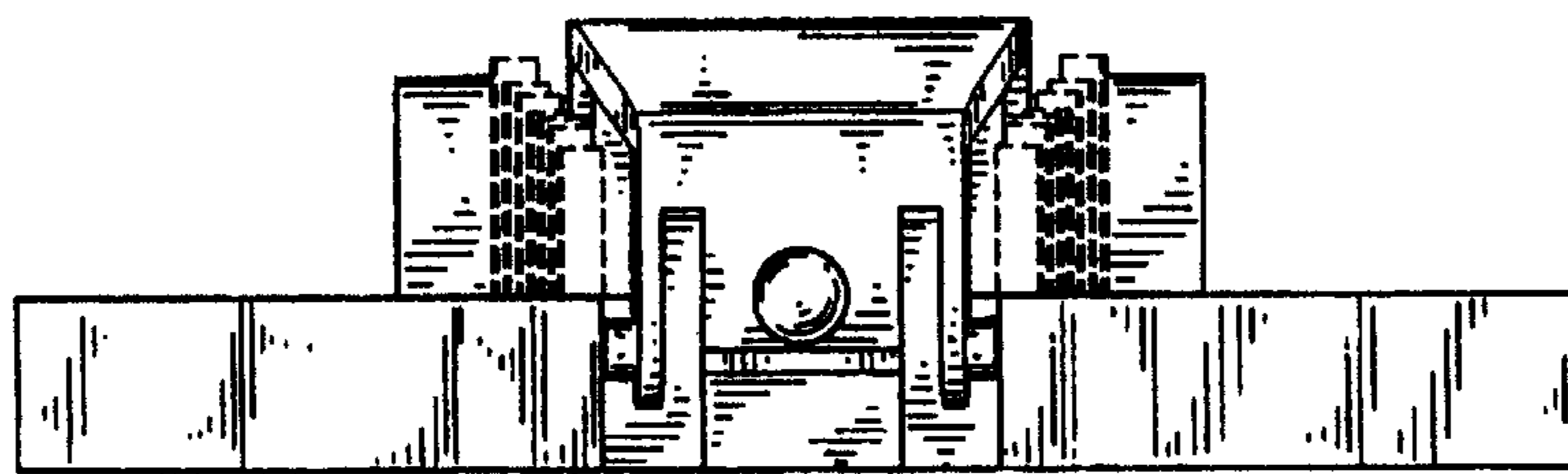


FIG. 5



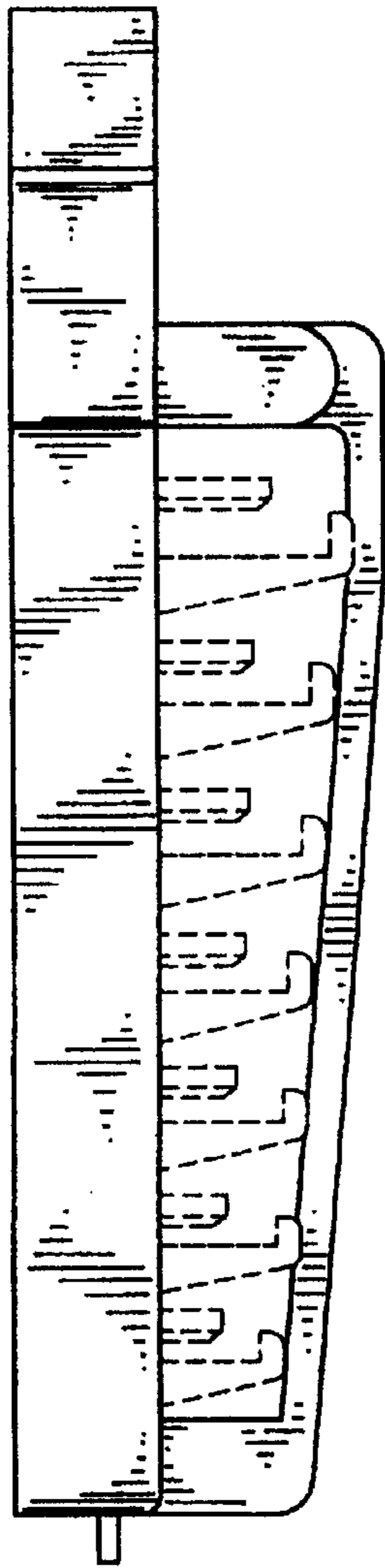


FIG. 6

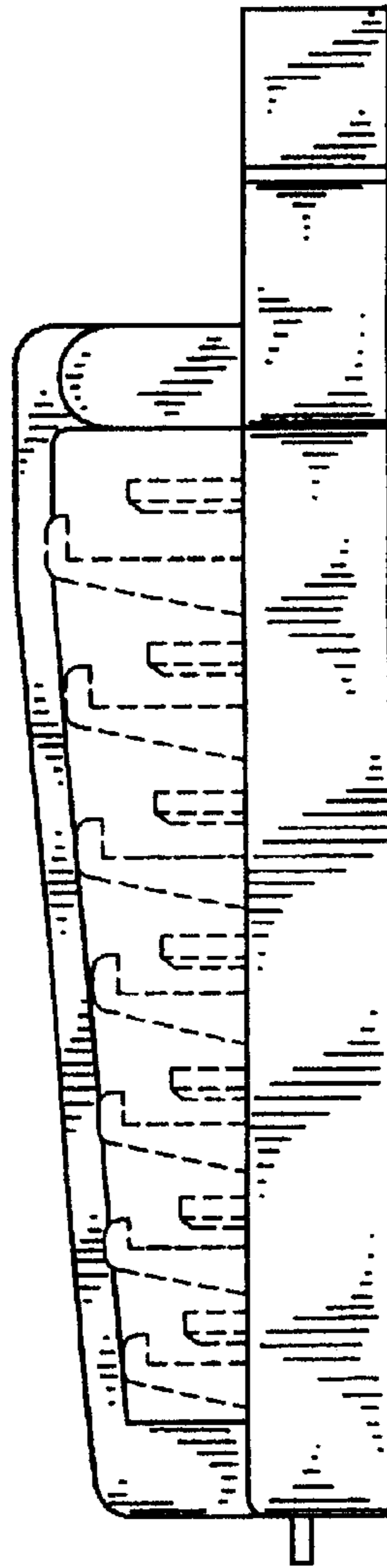


FIG. 7

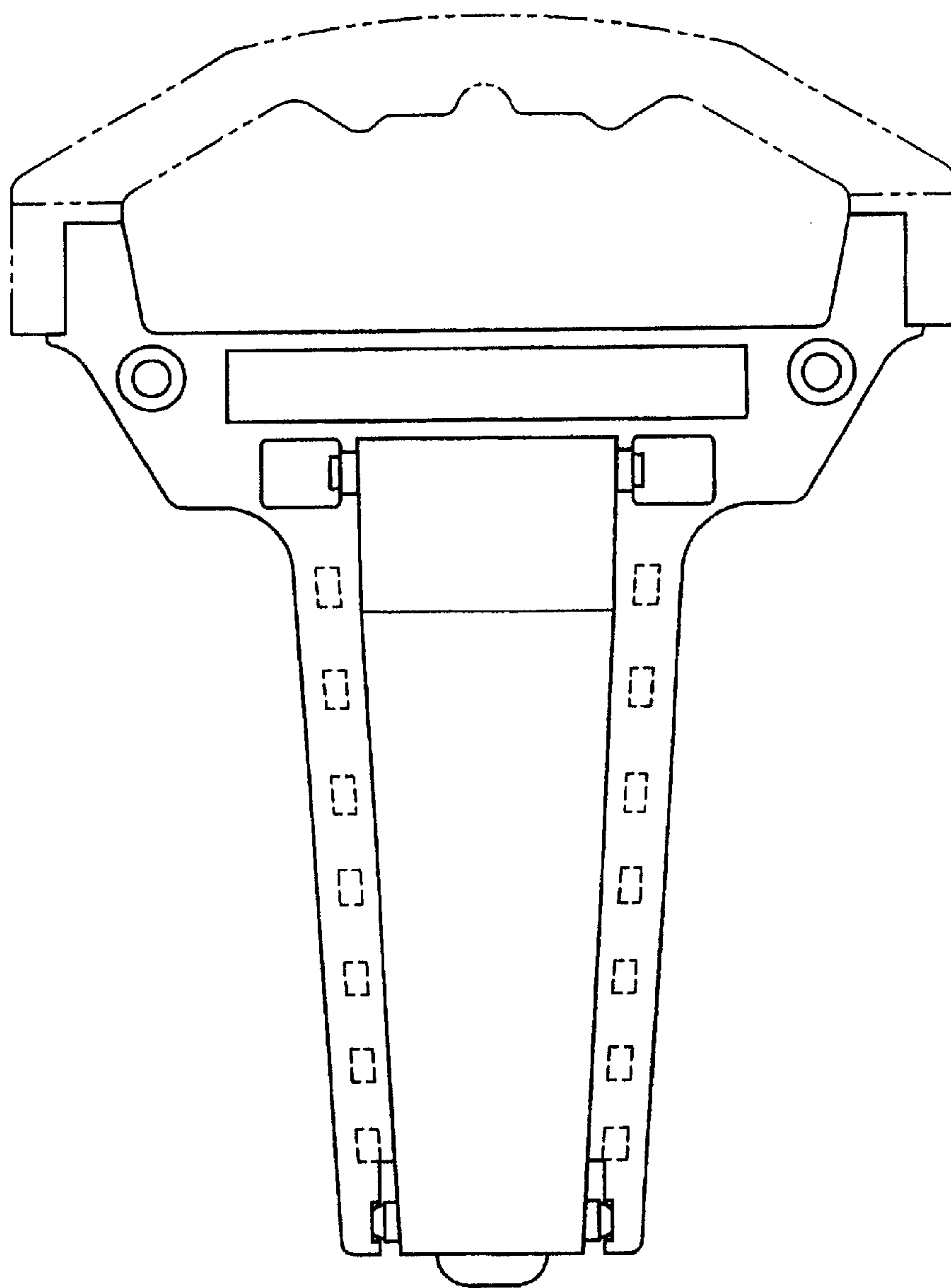


FIG. 8

UNITED STATES PATENT AND TRADEMARK OFFICE  
**CERTIFICATE OF CORRECTION**

PATENT NO. : Des. 541,565 S  
APPLICATION NO. : 29/218542  
DATED : May 1, 2007  
INVENTOR(S) : Tina Lin et al.

Page 1 of 1

It is certified that error appears in the above-identified patent and that said Letters Patent is hereby corrected as shown below:

On title page, item 73, "Sea" should read -- Lea --.

Signed and Sealed this

Nineteenth Day of June, 2007

A handwritten signature in black ink on a light gray dotted background. The signature reads "Jon W. Dudas" in a cursive style.

JON W. DUDAS

*Director of the United States Patent and Trademark Office*