

US00D541563S

(12) **United States Design Patent** (10) **Patent No.:** **US D541,563 S**  
**LaBonia, Jr. et al.** (45) **Date of Patent:** **\*\* May 1, 2007**

(54) **CABINET SHELF**

D510,220 S \* 10/2005 Sandy ..... D6/511  
D521,286 S \* 5/2006 Colmenares ..... D6/511  
D525,059 S \* 7/2006 Golias, Sr. et al. .... D6/511

(75) Inventors: **Vincent LaBonia, Jr.**, Wallingford, CT (US); **John Szalan**, Shelton, CT (US); **Brian Moulder**, Orange, CT (US); **Peter Corrado**, East Haven, CT (US)

\* cited by examiner

(73) Assignee: **Platt & LaBonia Co.**, North Haven, CT (US)

*Primary Examiner*—Brian N Vinson  
(74) *Attorney, Agent, or Firm*—Raymond A. Nuzzo

(\*\*) Term: **14 Years**

(57) **CLAIM**

(21) Appl. No.: **29/268,101**

The ornamental design for a cabinet shelf, as shown and described.

(22) Filed: **Oct. 30, 2006**

**DESCRIPTION**

**Related U.S. Application Data**

(63) Continuation of application No. 10/676,521, filed on Oct. 1, 2003, now Pat. No. 7,128,379.

FIG. 1 is a top perspective view of a cabinet shelf as seen from the rear of the cabinet shelf;

(51) **LOC (8) Cl.** ..... **06-06**

FIG. 2 is a top perspective view of a cabinet shelf of FIG. 1 as seen from the front of the cabinet shelf;

(52) **U.S. Cl.** ..... **D6/511**

FIG. 3 is a top plan view of the cabinet shelf;

(58) **Field of Classification Search** ..... D6/553, D6/567, 574, 491, 509, 511; 108/27, 59; 211/71.01, 72, 88.01, 90.01, 126.1, 134  
See application file for complete search history.

FIG. 4 is a left side elevation view, with a right side elevation view being a mirror image thereof;

FIG. 5 is front elevation view of the cabinet shelf;

FIG. 6 is sectional view taken along line 6—6 in FIG. 3; and,

FIG. 7 is a bottom plan view of the cabinet shelf.

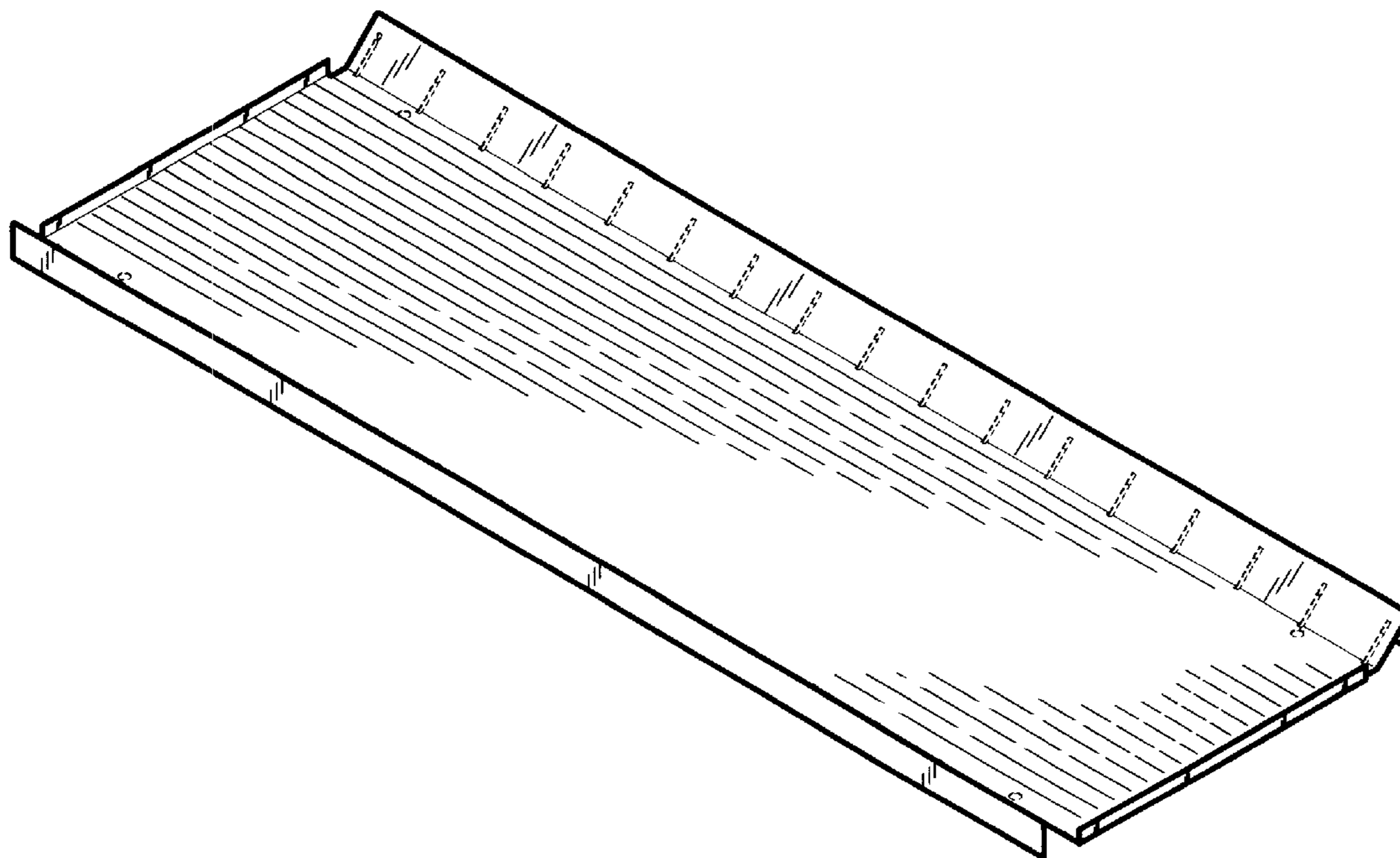
The dashed broken lines in FIGS. 1, 2, 3, 6 and 7 represent environmental subject matter and form no part of the claimed design.

(56) **References Cited**

**U.S. PATENT DOCUMENTS**

D431,403 S \* 10/2000 Ford ..... D6/511

**1 Claim, 5 Drawing Sheets**



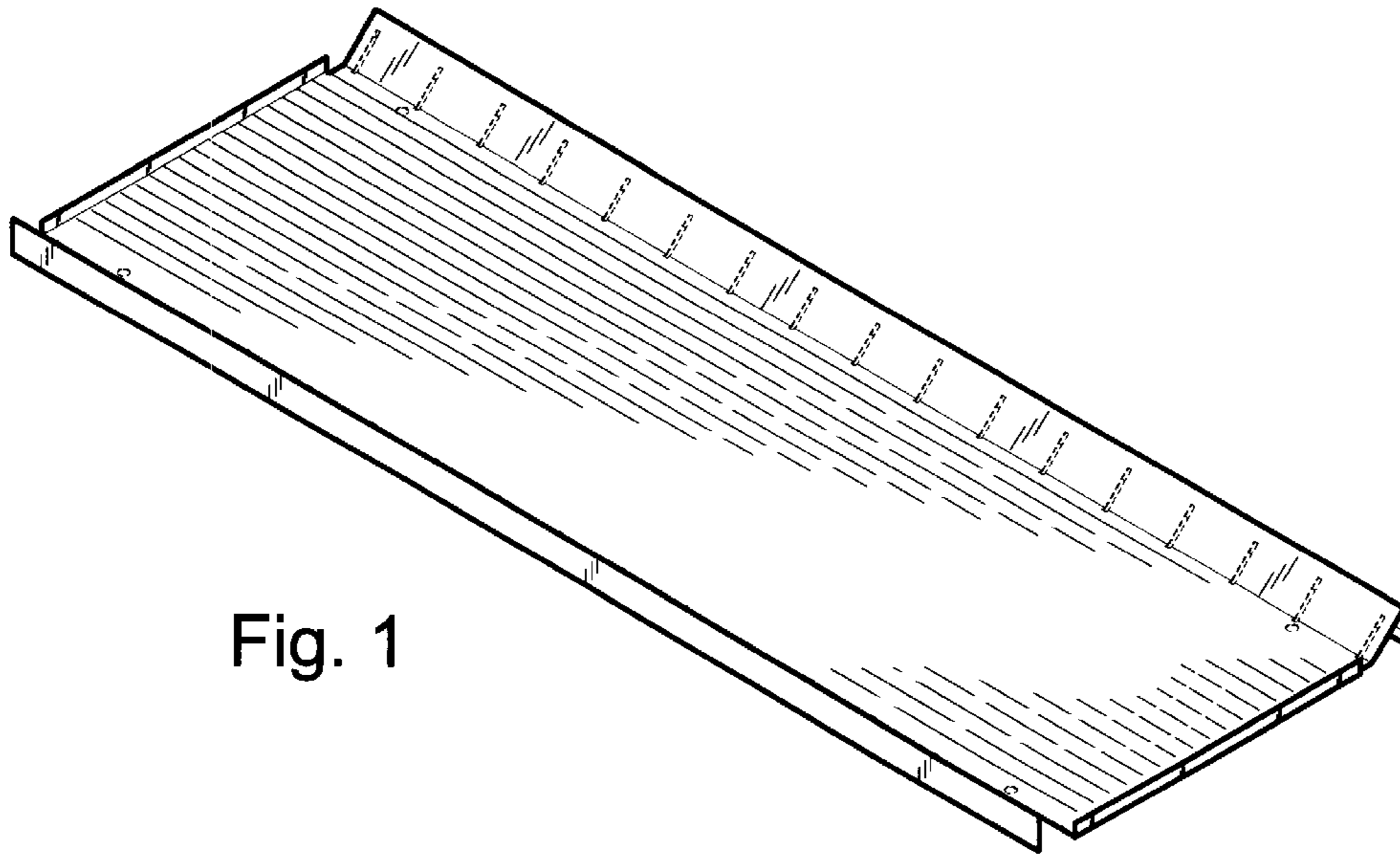


Fig. 1

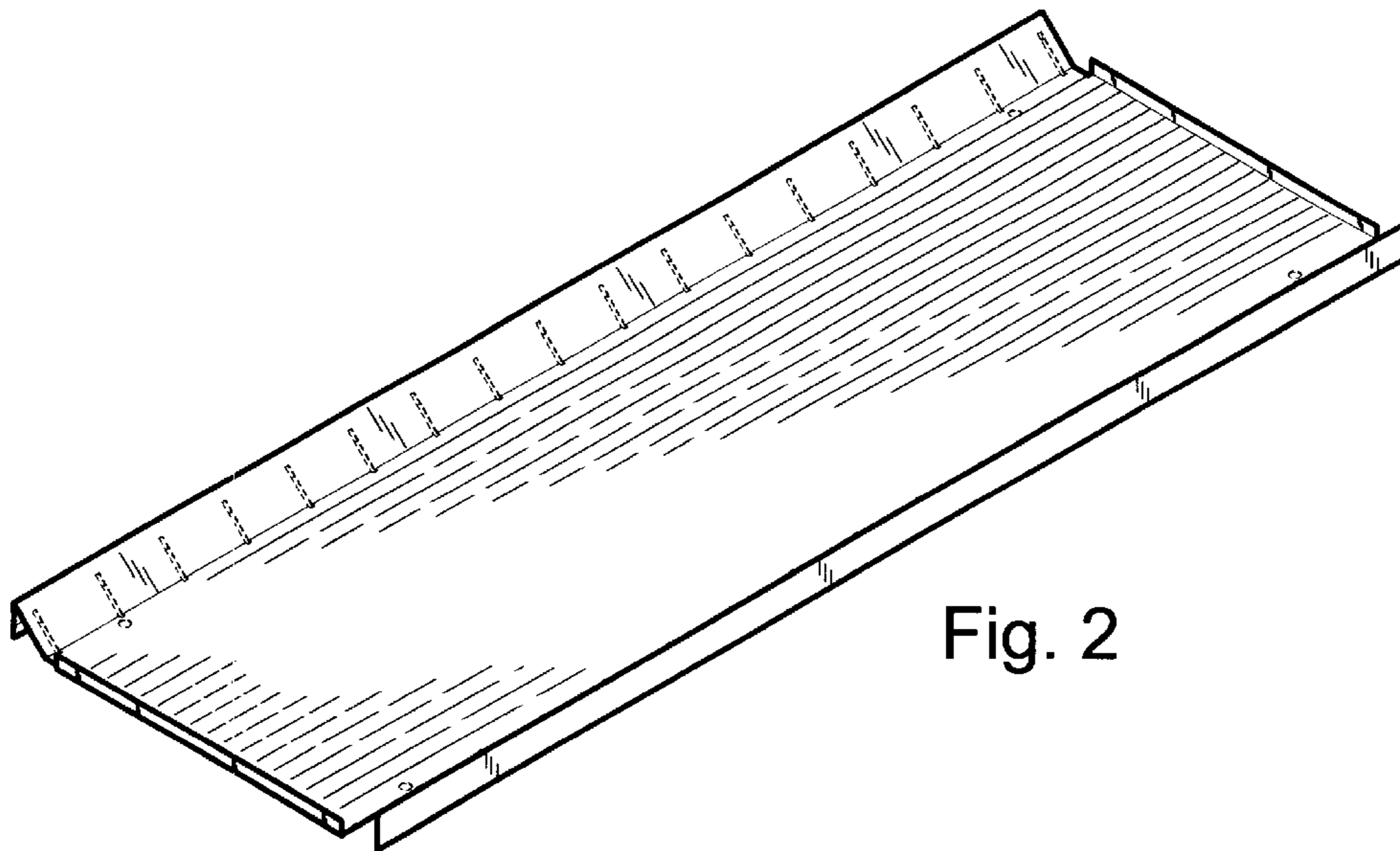


Fig. 2

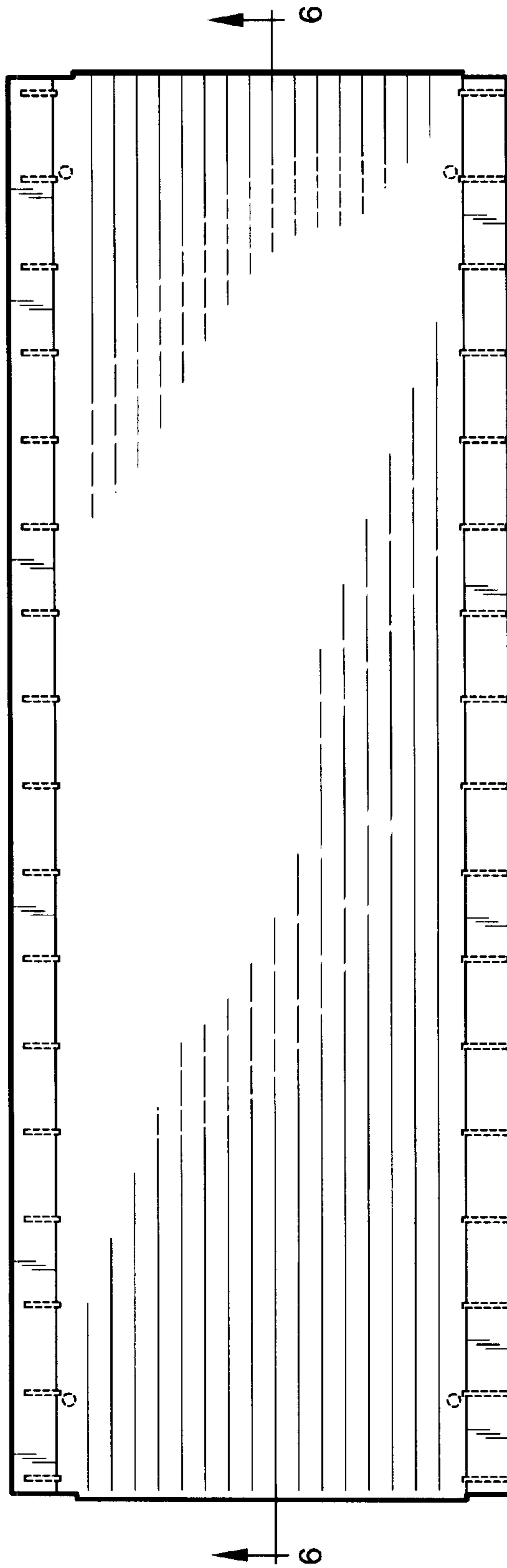


Fig. 3



Fig. 4

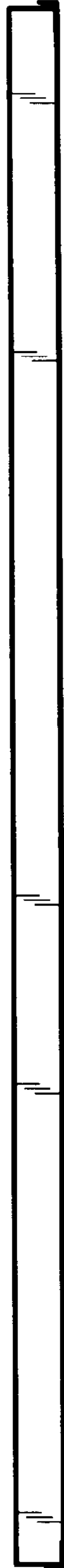


Fig. 5



Fig. 6

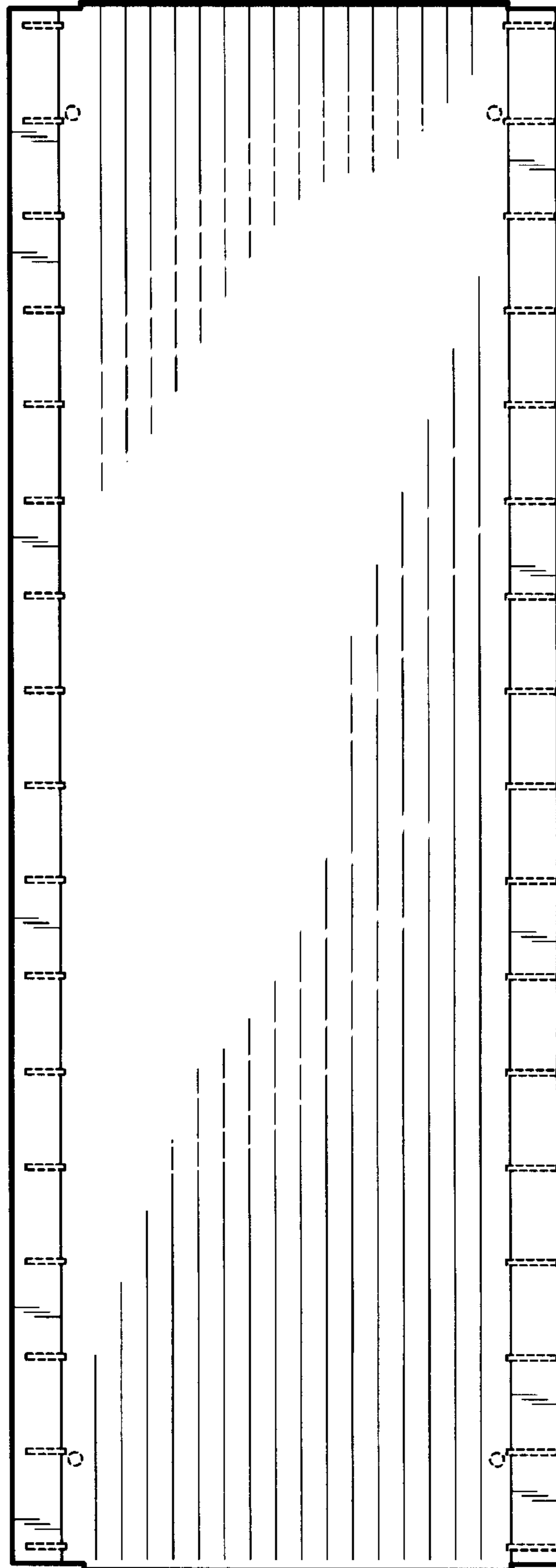


Fig. 7