

US00D541560S

(12) **United States Design Patent** (10) **Patent No.:** **US D541,560 S**
Muller (45) **Date of Patent:** **** May 1, 2007**

(54) **TABLE BASE**

Carl A. Muller, Elite Scoop Accent Table #250, 2 pp., Apr. 2002.

(75) Inventor: **Carl A. Muller**, Huntington Beach, CA (US)

* cited by examiner

(73) Assignee: **Elite Manufacturing Corporation**, Santa Fe Springs, CA (US)

Primary Examiner—Janice E. Seeger
(74) *Attorney, Agent, or Firm*—Heslin Rothenberg Farley & Mesiti P.C.

(**) Term: **14 Years**

(57) **CLAIM**

(21) Appl. No.: **29/236,498**

The ornamental design for a table base, as shown and described.

(22) Filed: **Aug. 17, 2005**

(51) **LOC (8) Cl.** **06-06**

(52) **U.S. Cl.** **D6/495**

(58) **Field of Classification Search** D6/480–489,
D6/495–499; 108/50.01, 50.02, 150, 153.1,
108/155, 156, 157.1, 161; 248/188, 188.1,
248/188.8

See application file for complete search history.

DESCRIPTION

This application contains subject matter which is related to the subject matter of commonly assigned and co-filed U.S. Design patent application Ser. No. 29/236,496, entitled “Table base” by Carl A. Muller, and U.S. Design patent application Ser. No. 29/236,499 entitled “Table Base” by Carl A. Muller, the entirety of these applications being incorporated herein by reference.

(56) **References Cited**

U.S. PATENT DOCUMENTS

D328,000 S	*	7/1992	Weaver	D6/485
D340,158 S	*	10/1993	Cionini	D6/495
D359,637 S	*	6/1995	Hammie	D6/482
D470,350 S	*	2/2003	Muggleton	D6/495
D509,385 S	*	9/2005	Muller	D6/480

FIG. 1 is a perspective view of a table base in accordance with the new design;

FIG. 2 is a front elevational view thereof, a rear elevational view being a mirror image thereof;

FIG. 3 is a right side elevational view thereof, a left side elevational view being a mirror image thereof; and,

FIG. 4 is a top view thereof.

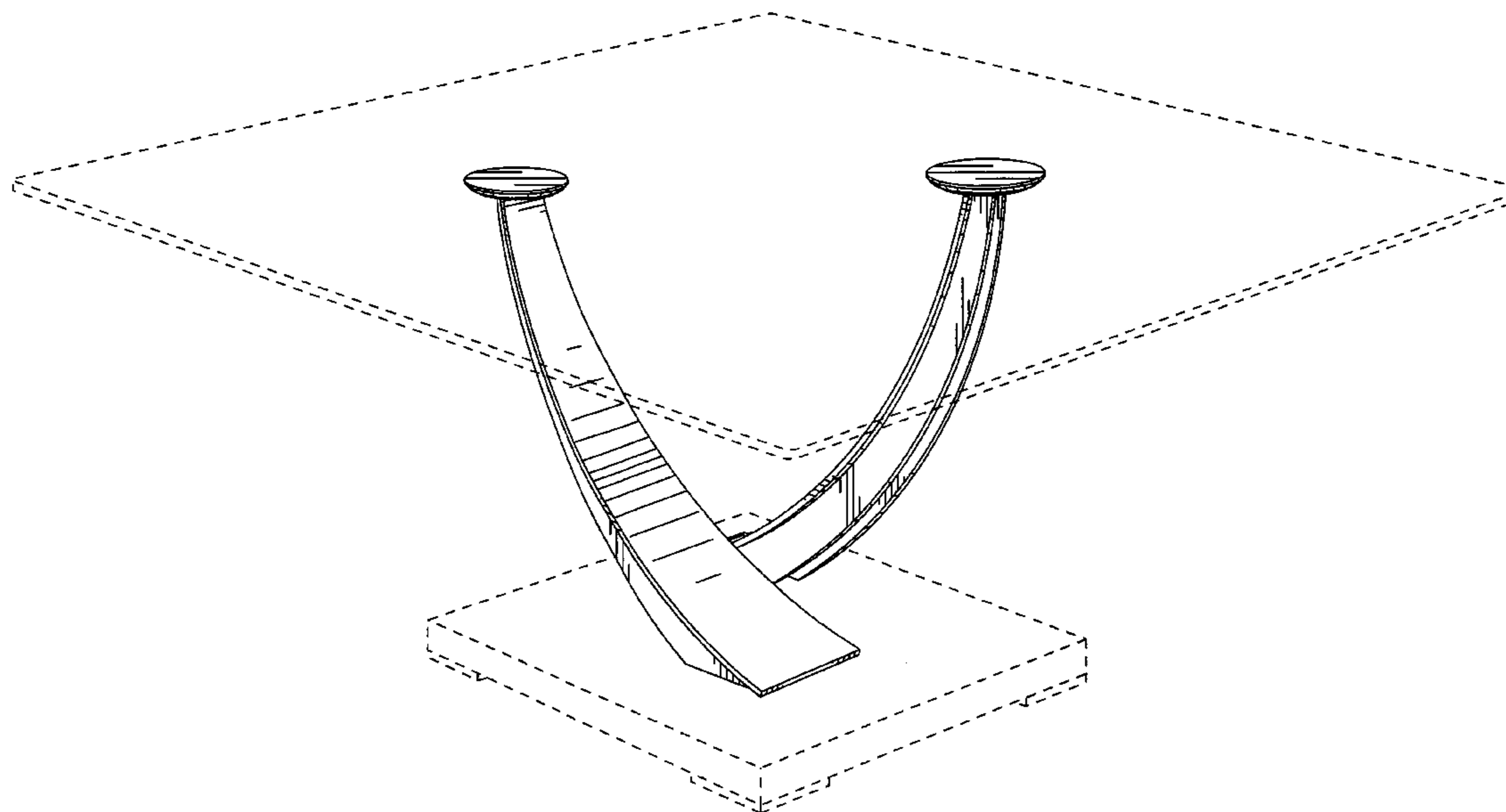
The broken lines in the figures are for illustrative purposes only and form no part of the claimed invention.

OTHER PUBLICATIONS

Carl A. Muller, Table Base, U.S. Appl. No. 29/236,499 filed Aug. 17, 2005, 11 pp.

Carl A. Muller, Table Base, U.S. Appl. No. 29/236,496 filed Aug. 17, 2005, 13 pp.

1 Claim, 4 Drawing Sheets



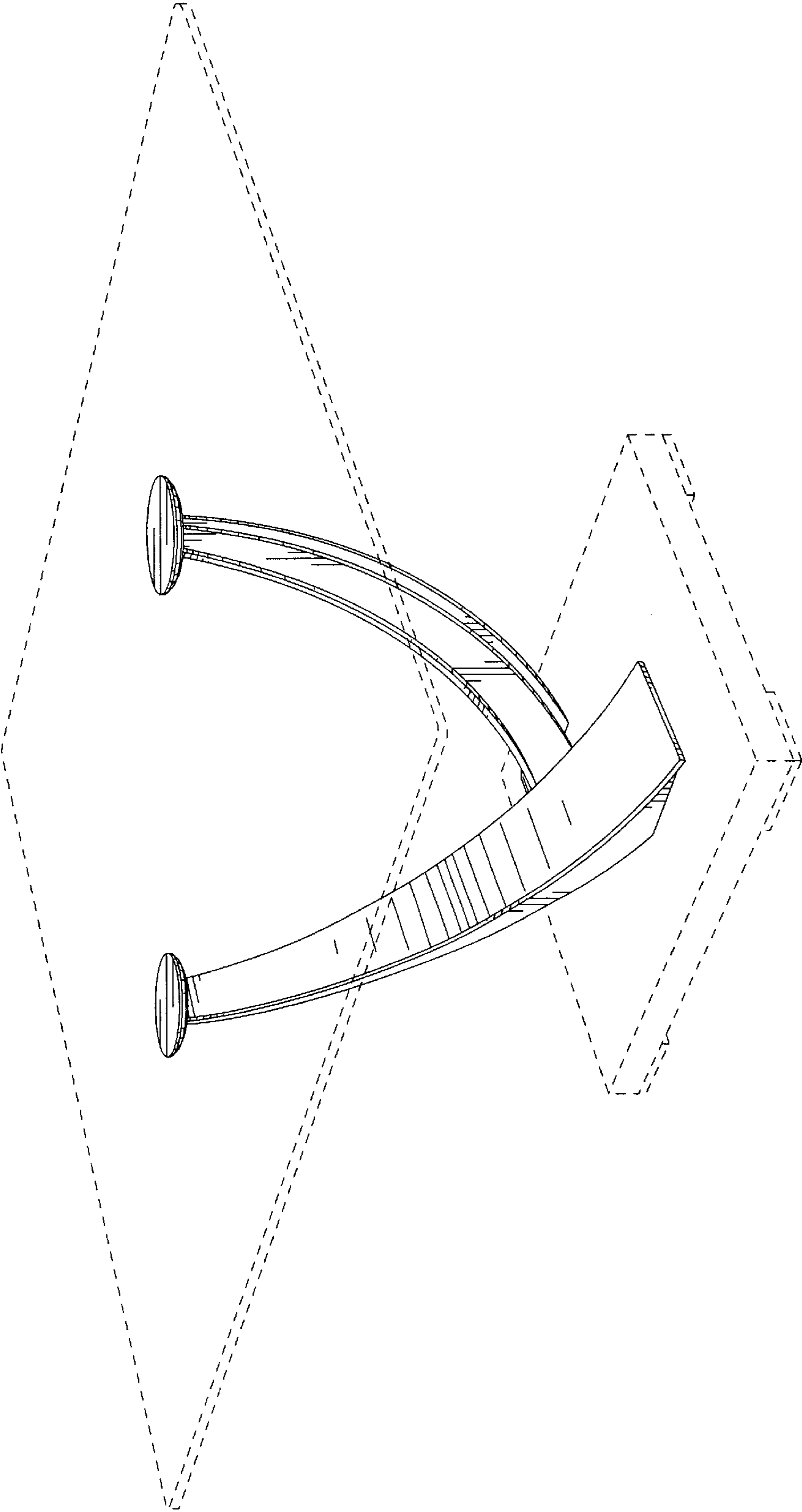


FIG. 1

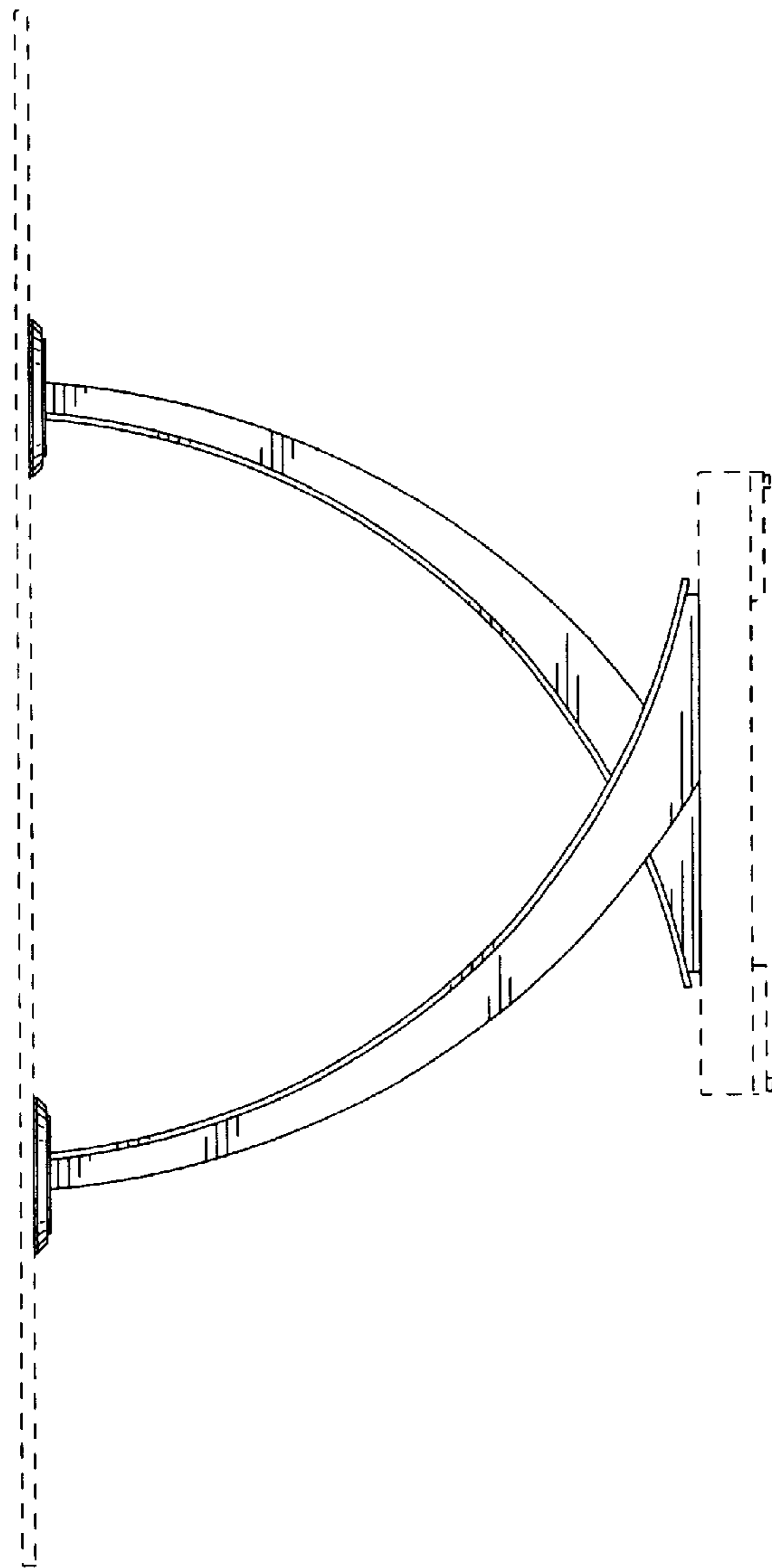


FIG. 2

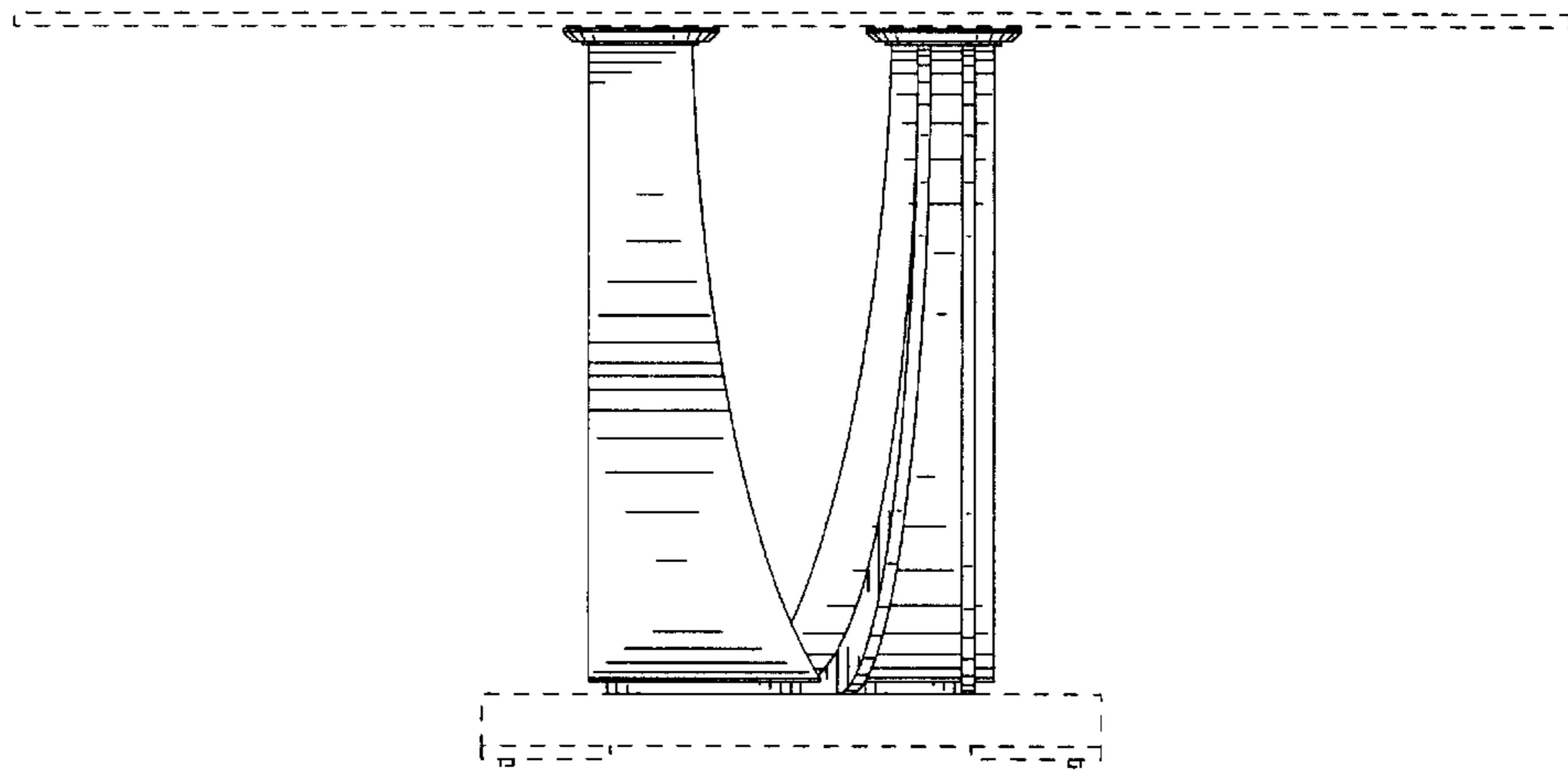


FIG. 3

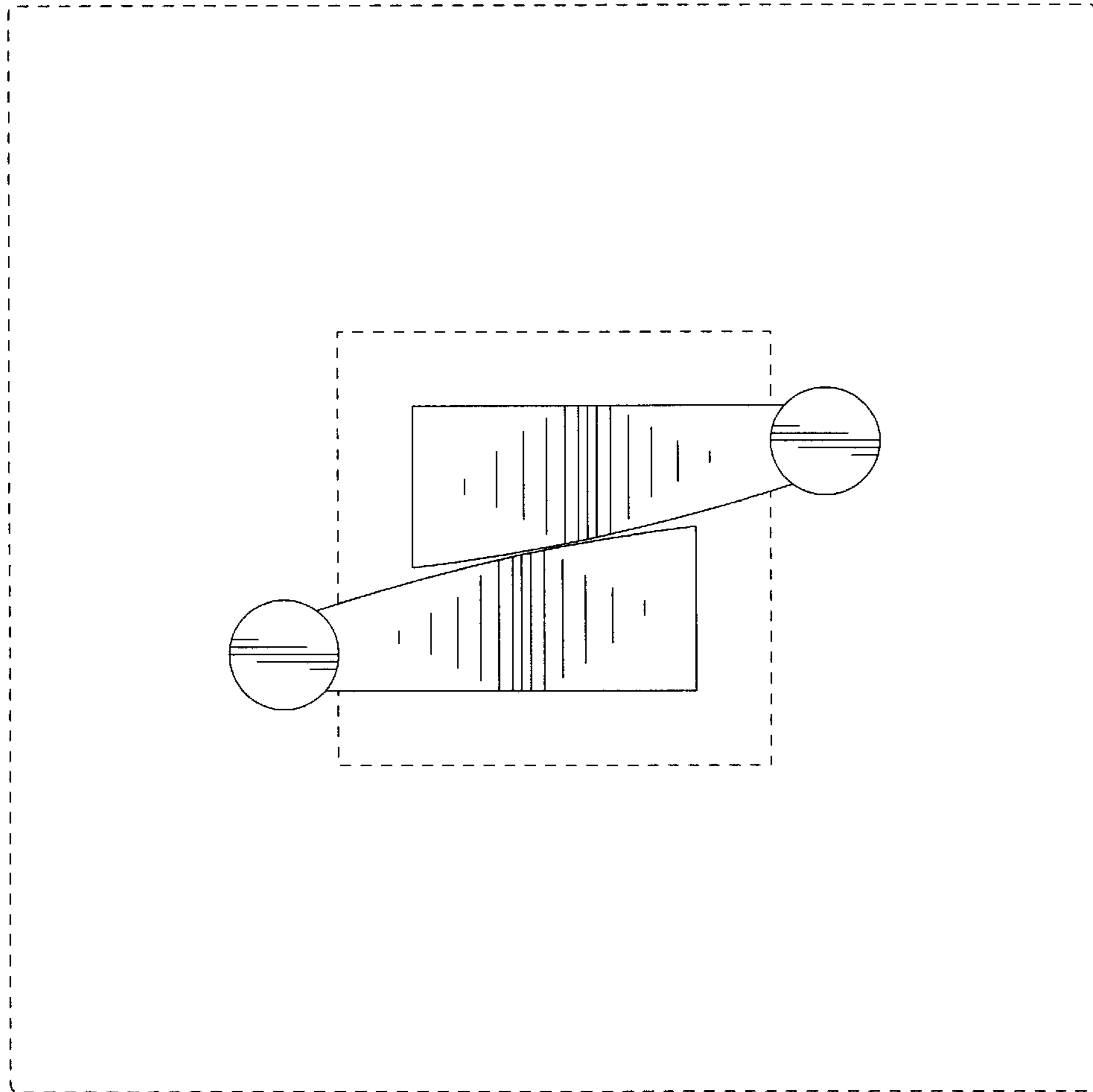


FIG. 4